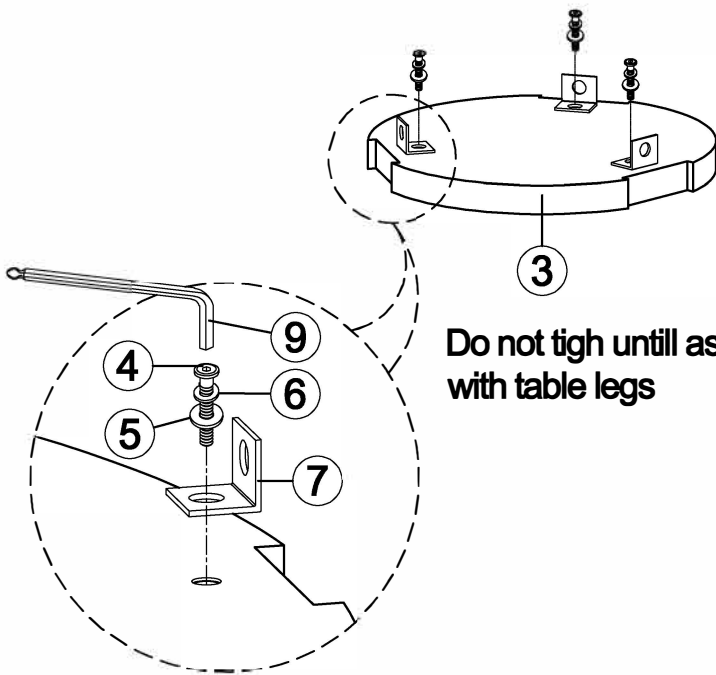
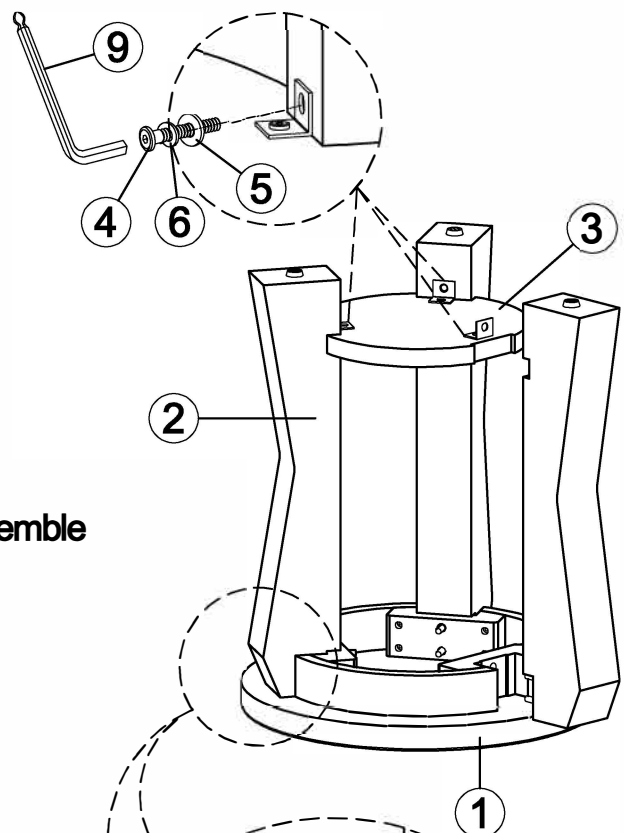
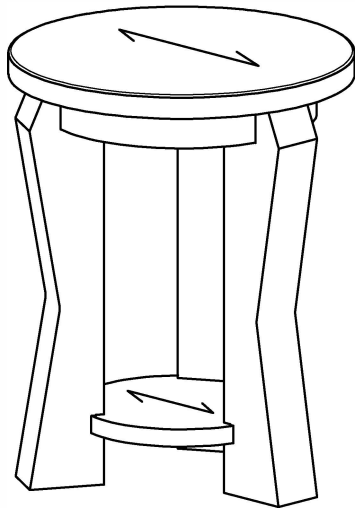


ASSEMBLY INSTRUCTION

116-916 SIDE TABLE

IMPORTANT NOTES :

- Place all wooden parts on a clean and smooth surface such as a rug or carpet to prevent the parts from being scratched .
- Check to be sure that you have all parts and hardware .
- Remove all wrapping materials, including staples and packing straps before you start to assemble .
- Do not tighten all screws and bolts until completely assembled .
- Keep all hardware out of the reach of children .



Do not tight until assemble with table legs

Item #	Description	Q'ty
1.	Table Top	1
2.	Legs	3
3.	Frame Shelf	1
4.	Bolts M6 x 20	6
5.	Washers	12
6.	Lock Washers	12
7.	Metal Plate Connect	3
8.	Hex Nuts	6
9.	Allen Key	1
10.	Wrench	1

