

SWING CHAIR ASSEMBLY MANUAL



Assembly Instructions

- Prior to assembly, ensure that you lay out and identify all the parts listed in the parts list.
- Tighten all nuts and bolts securely. Hand-tighten all bolts before use. Avoid using power tools or applying excessive force during assembly and bolt tightening.
- Install at a minimum distance of 6 feet from any obstructions, such as fences, garages, houses, overhanging branches, laundry lines, or electrical wires.
- It is recommended to be at least 2 people for a safe assembly of the product.
- If you encounter any difficulties during assembly or if any part is missing or damaged, please don't hesitate to contact our customer service team via email us.

Care and warranty

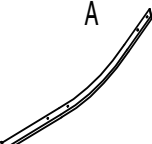
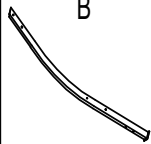
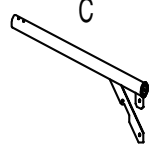
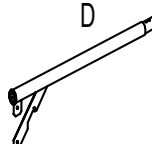
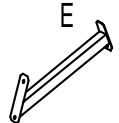
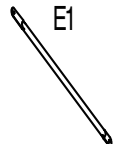
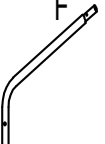
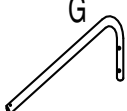



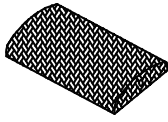
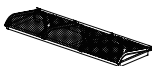

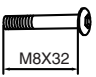
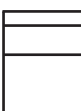
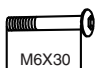
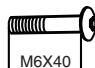
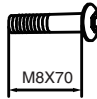

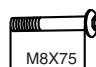
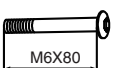






- The weight capacity of this swing chair is 700 lbs.
- Clean the frame components and fabric with a mild soap solution, then rinse thoroughly. Avoid using bleach, acid, or any other solvents on either the fabric or frame components.
- For a comprehensive warranty policy. Be aware that warranty terms can change without prior notification.
- For the best performance and safety of your chair, inspect and tighten all bolts and fasteners regularly

Warning:

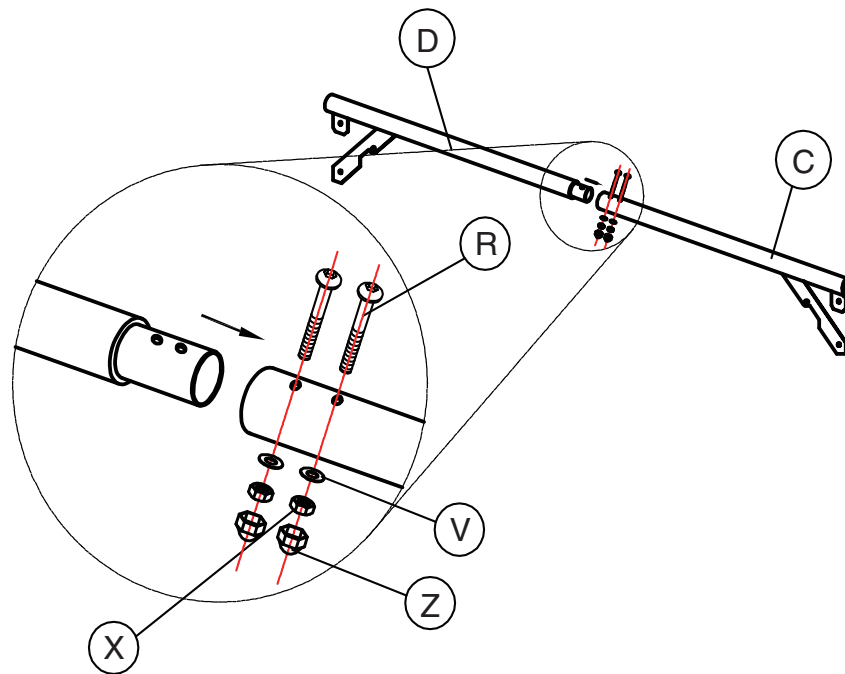
1. Do not kneel or stand on swing chair.
2. Do not exceed 700lbs weight limit.
3. Make sure swing is located on a solid level surface.
4. Put away the cushion when it's rain or snow.

Part list



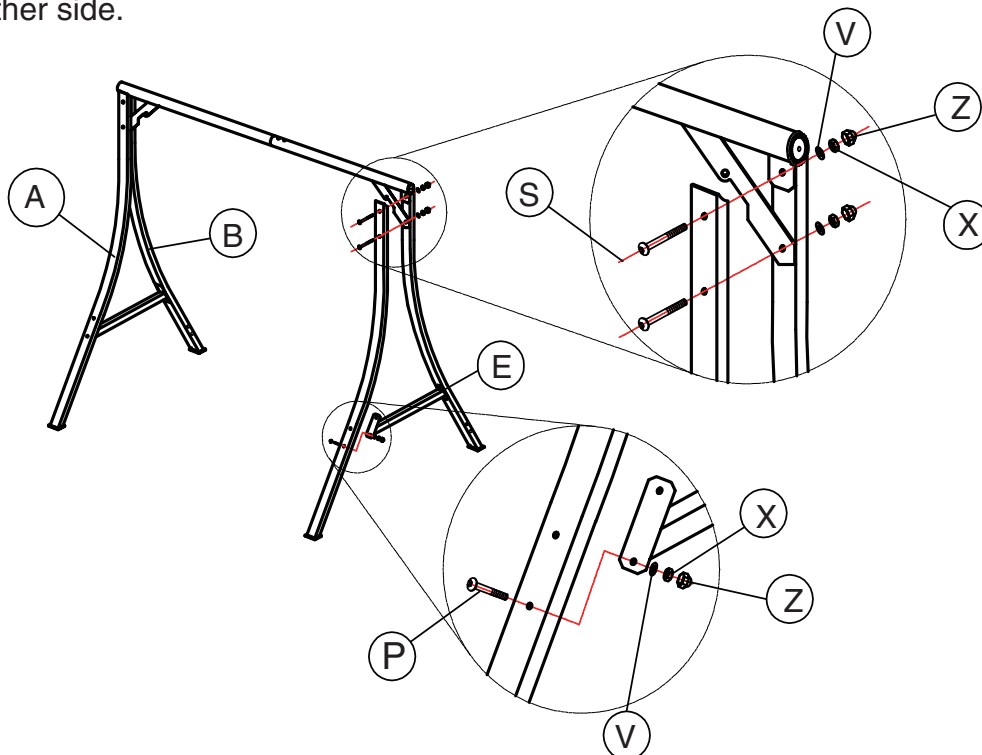
<p>A</p>  <p>LEG TUBE 2X</p>	<p>B</p>  <p>LEG TUBE 2X</p>	<p>C</p>  <p>TOP CROSS BAR 1X</p>				
<p>D</p>  <p>TOP CROSS BAR 1X</p>	<p>E</p>  <p>LEG CROSS BAR 2X</p>	<p>E1</p>  <p>HANGING PIPE 4X</p>				
<p>F</p>  <p>BACK LEG CROSS BAR 1X</p>	<p>G</p>  <p>BACK LEG CROSS BAR 1X</p>	<p>H</p>  <p>BAR SPRING HOOK 2X</p>				
<p>I</p>  <p>ARMREST 1X</p>	<p>I1</p>  <p>ARMREST 1X</p>	<p>K</p>  <p>CANOPY 1X</p>				
<p>L</p>  <p>SEAT FRAME 1X</p>	<p>M</p>  <p>BACK FRAME 1X</p>	<p>N</p>  <p>M8X32 2X</p>				
<p>W</p>  <p>MAGAZINE BAG 2X</p>	<p>O</p>  <p>M6X30 1X</p>	<p>P</p>  <p>M6X40 8X</p>	<p>Q</p>  <p>M8X70 2X</p>	<p>R</p>  <p>M8X55 2X</p>	<p>S</p>  <p>M8X75 6X</p>	
<p>U</p>  <p>M6X80 4X</p>	<p>V</p>  <p>13X 12X</p>	<p>X</p>  <p>13X 12X</p>	<p>Y</p>  <p>2X</p>	<p>Z</p>  <p>13X 12X</p>	<p>AA</p>  <p>2X</p>	<p>BB</p>  <p>1X</p>

Step 1: Connect Part D and Part C to build the beam using Bolt R, Washer V, Nut X, and Plastic End-Cap Z as shown in the diagram.



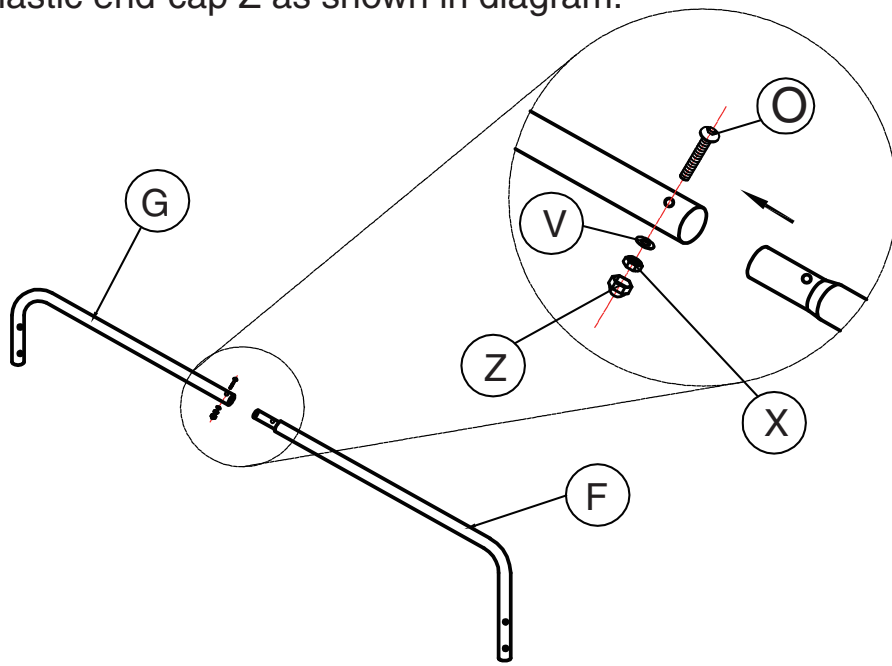
Step 2: Connect part A and part B using bolt S washer V, nut X and plastic end-cap Z as shown in diagram.

Attention: Both part A should be the same side, and both Part B should be in the other side.

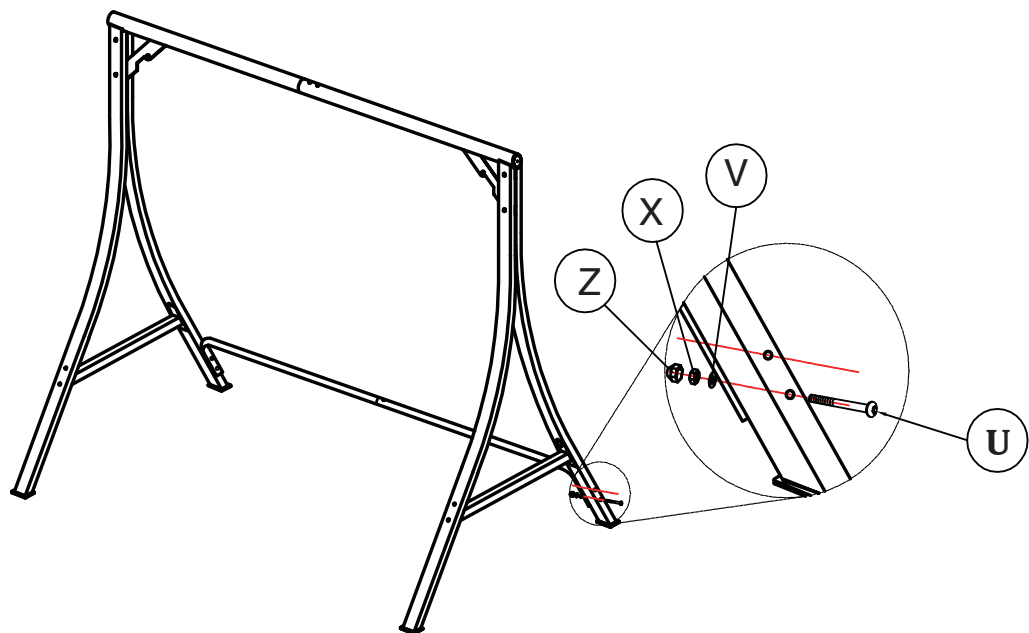


Connect part E and part (A&B) using bolt P washer V, nut X and plastic end-cap Z as shown in diagram.

Step 3: Connect part G and part F using bolt O washer V, nut X and plastic end-cap Z as shown in diagram.

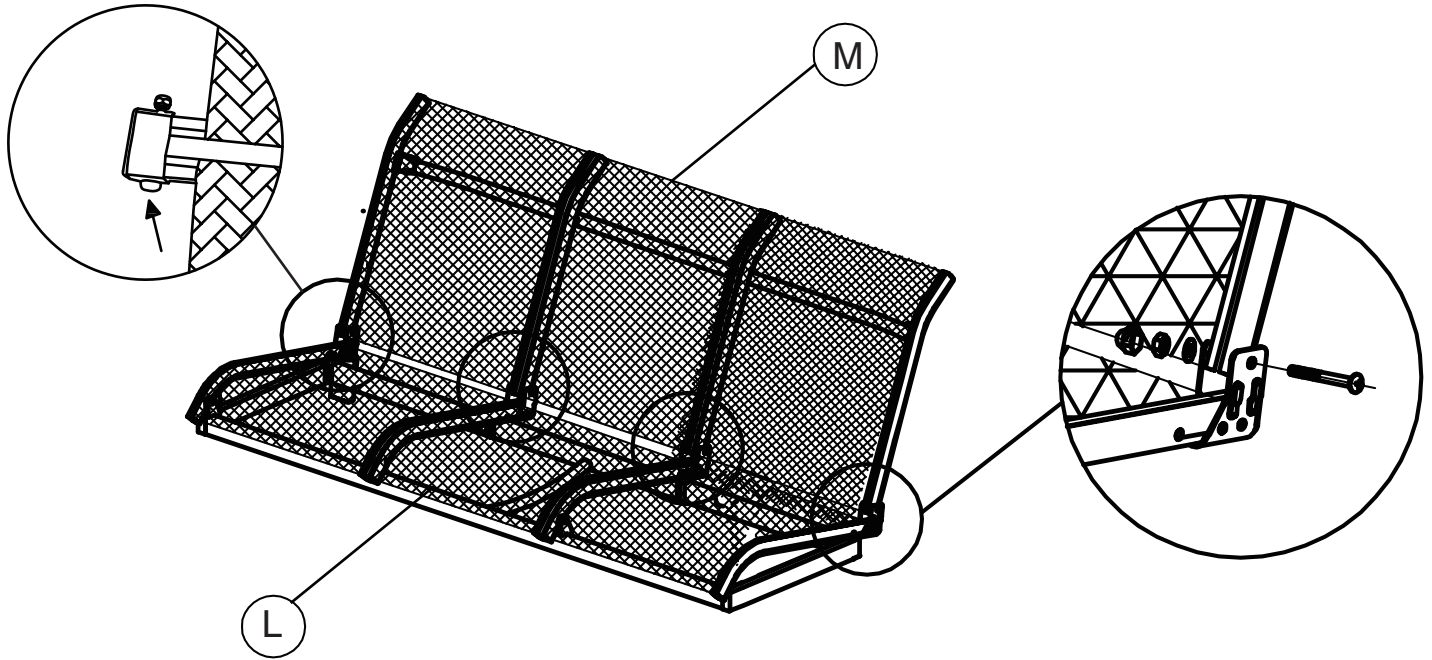


Step 4: Connect rear foot tube with part B using bolt U washer V, nut X and plastic end-cap Z as shown in diagram.

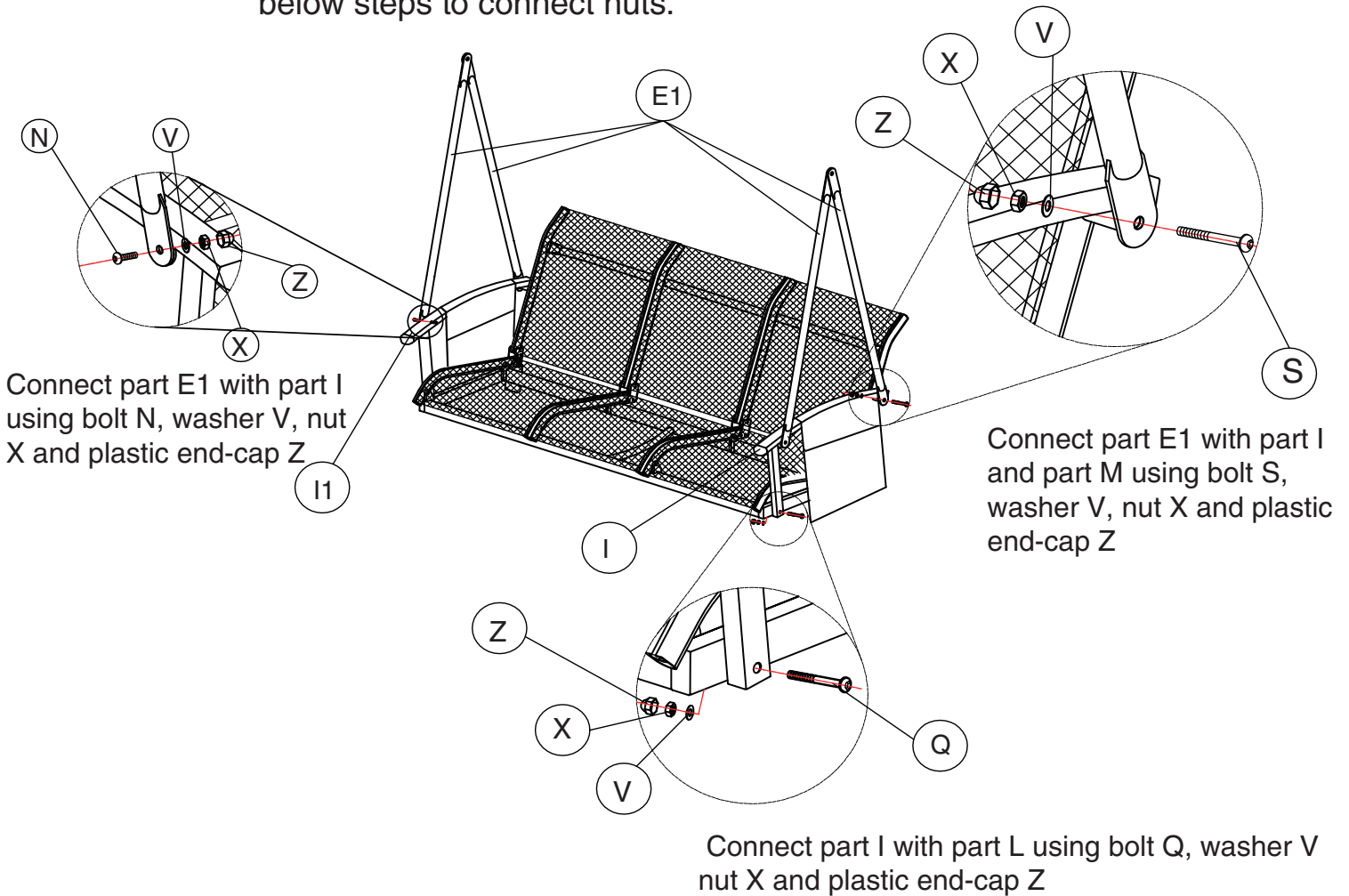


Step 5: Set up seat & back together

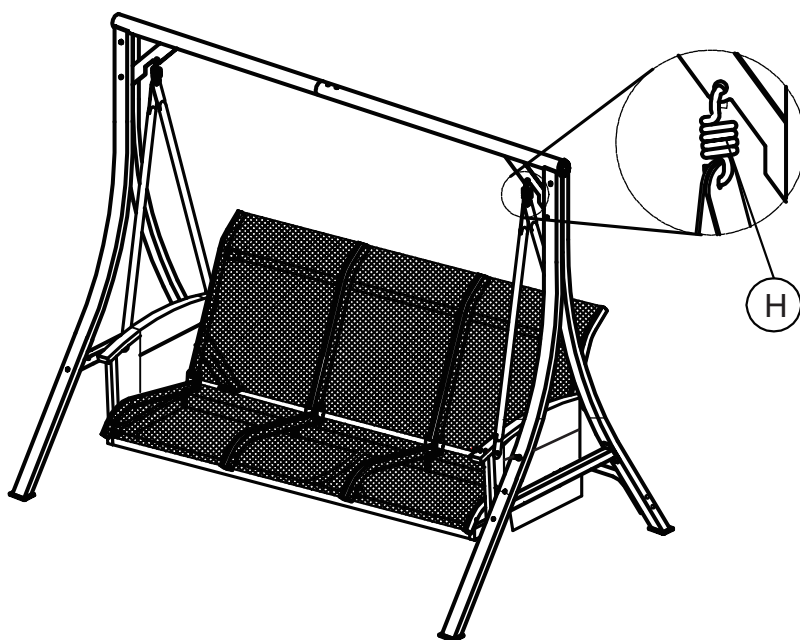
Loose the part M(back) screws first, then connect part L(seat) together by the screws.



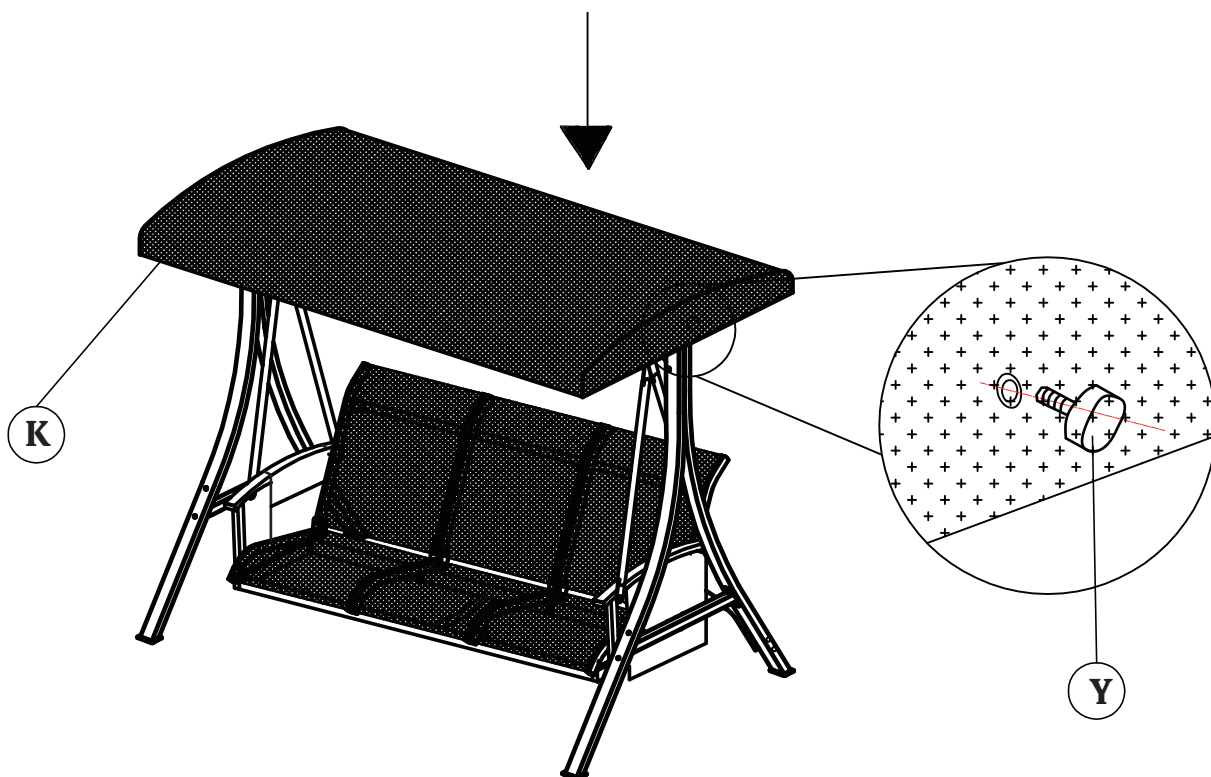
Step 6: First pull magazine bag (Part W) into armrest(Part I and I1), then following below steps to connect nuts.



Step 7: Use part H to hook the seat to the frame.



Step 8: Use Part Y to fix the canopy to the ends of the beam.



Step 9: Tight all of the screws.

