

Assembly Instructions


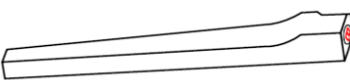


Caution: You must read this before you proceed

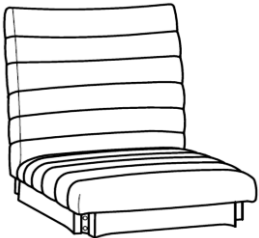
DINING CHAIR



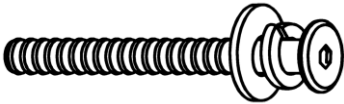

WARNING: These chairs are intended only for normal use with all four chair legs on the ground. These consumer chairs have relatively thin legs and are not designed to be sat in with only two legs on the ground (as from tipping back, forward, or to the side), and such can cause stress and failure of one or more of the chair legs. Any misuse of the chairs voids any warranties, expressed or implied.

Part List

| Label | Picture | Description | QTY |
|-------|---|---------------|-----|
| A |  | Front Leg (A) | 1 |
| B |  | Front Leg (B) | 1 |
| C |  | Back Leg (C) | 1 |
| D |  | Back Leg (D) | 1 |

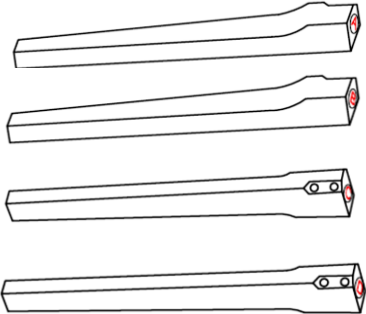
| | | | |
|---|--|----------------|---|
| E |  | Cushioned Seat | 1 |
|---|--|----------------|---|

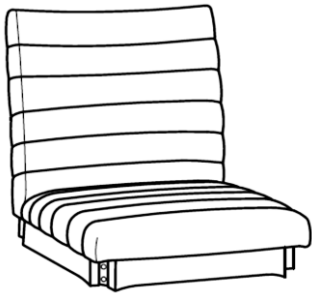
Hardware

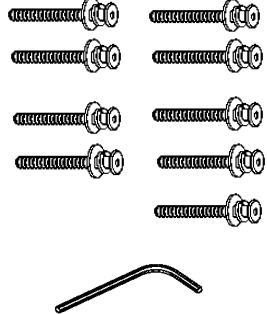
| Label | Picture | Description | QTY |
|-------|---|---|-----|
| ① |  | JCBC M6 x 60mm + S/W M6 + F/W M6 x 19mm | 9 |
| ② |  | Allen Wrench M4 | 1 |






Assembly Preparation

Before Beginning Assembly:



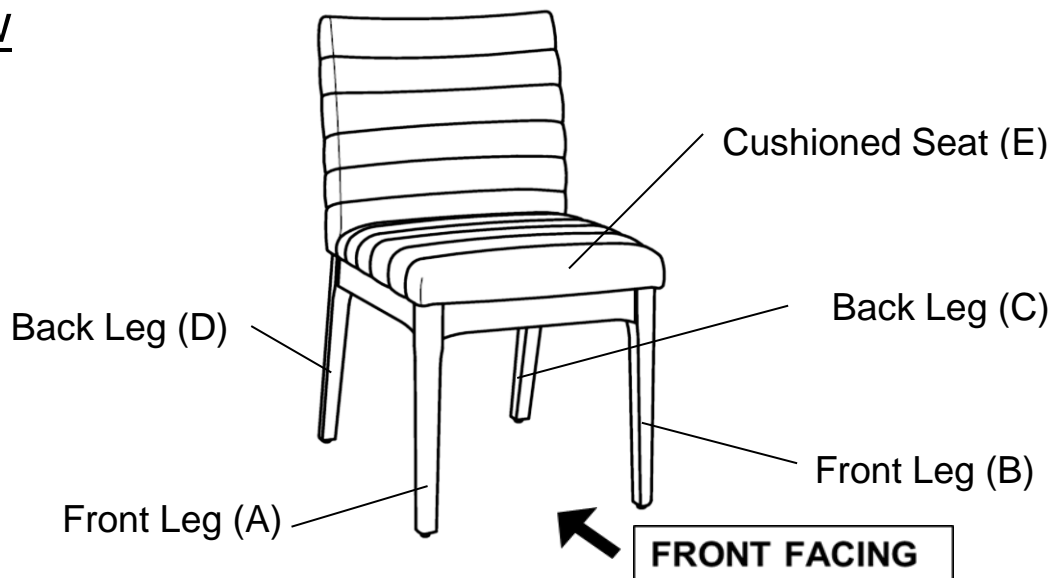




- 
• Read instructions, cover to cover-
- 
• Have 2 adults on hand for assembly-
- 
• Do not assemble on flooring or carpet-
- 
• Assemble on a clean non-marring surface (packing foam)-
- 
• Save all packaging until finished-

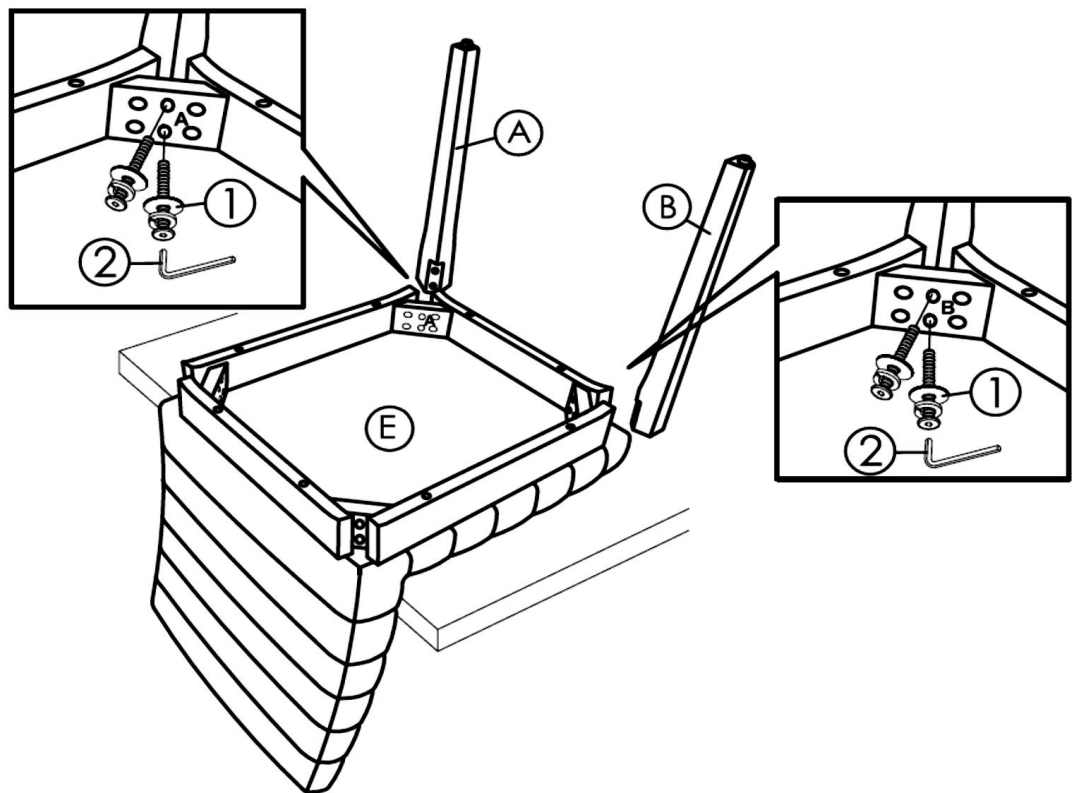
Assembly Steps

Overview



This Dining Chair has multiple parts and may require up to some 30 minutes to assemble. To give you an overview of the Dining Chair parts, the above picture is to help you put the various parts into perspective. Please read through the instructions below to familiarise yourself with the parts and steps before assembly.

Step 1

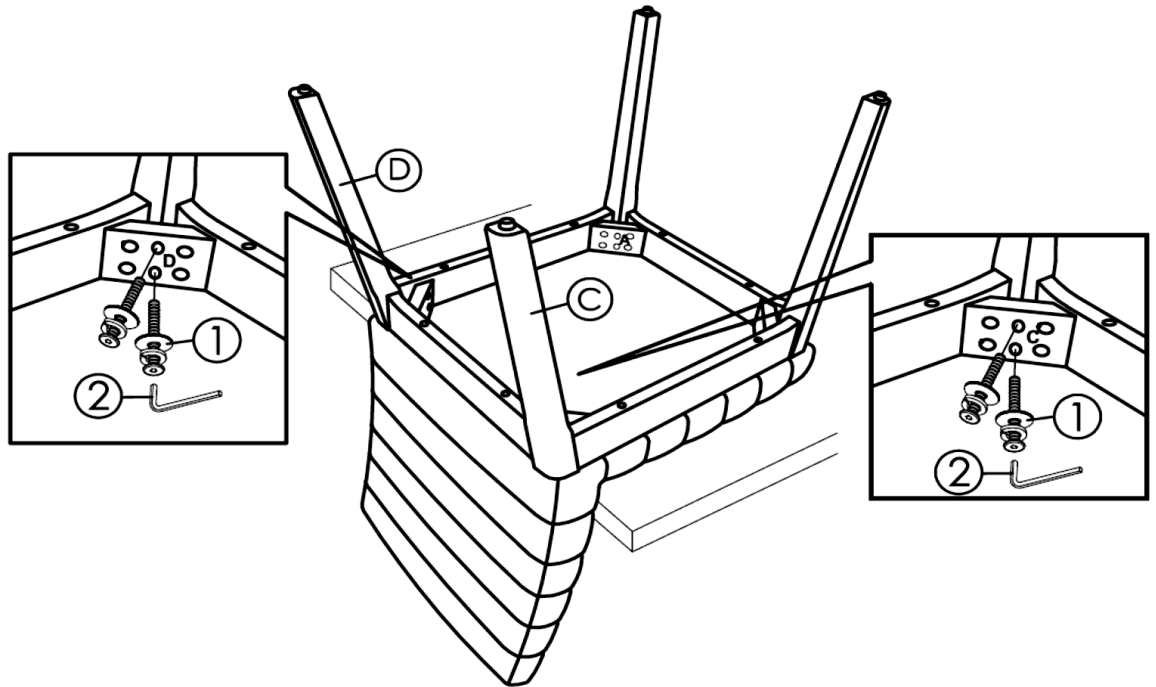


Place the Cushioned Chair Seat (E) on a clean Table Top and place the Front Leg (A) Front Leg (B) on the corner block as shown.

Then, affix the Front Leg (A) and (B) with JCBC Bolts ① using the Allen Wrench ②.

DO NOT FULLY TIGHTEN THE BOLTS.

Step 2

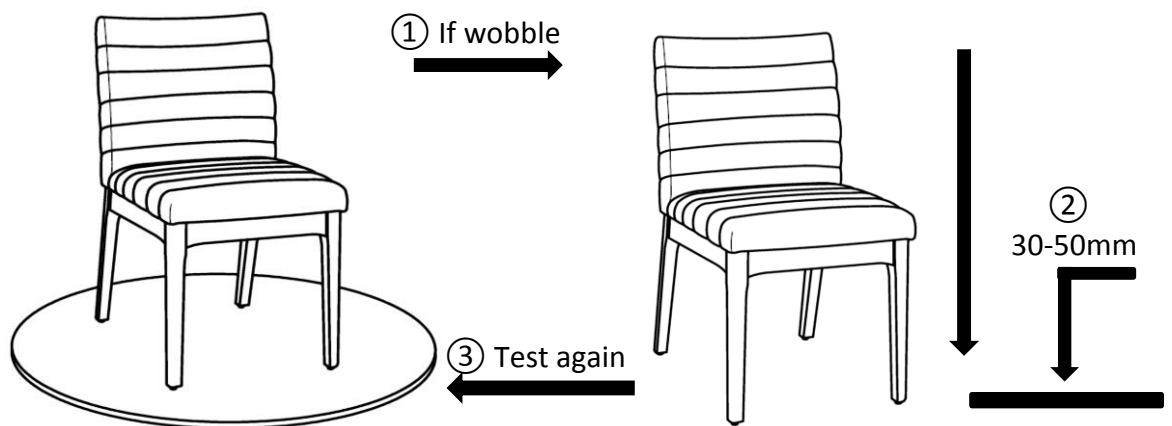


Repeat Step 1, to place the Back Leg (C) and Back Leg (D) in the other corner blocks as shown.

Then, affix the Back Leg (C) and (D) with JCBC Bolts ① using the Allen Wrench ②.

DO NOT FULLY TIGHTEN THE BOLTS.

Step 3



Place the dining chair on a Level Surface to check if it wobbles.
If it wobbles, lift the dining chair some 30mm to 50mm high from the ground, keep your feet and toes well away from the drop zone, and drop the dining chair freely and vertically with the four legs, hitting the ground at the same time.
This Drop Test will help to ensure that all the bolts and gaps reach full alignment.
Test again for evenness on a Level Surface.
If no wobbles are found, proceed to tighten all the Bolts.

Caution: When tightening the Bolts, tighten sequentially.
Do not tighten any Bolt fully and then move towards the next one, this would cause the frame to warp. If it still wobbles after tightening, loosen the bolts and execute this same drop test.
If the dining chair is not Stable it could lead to damage of the product.

Step 4



Inspect and make sure all parts are connected.
The dining chair is ready for use.
Caution: This dining chair can only be used on a flat, level surface.

Care & Maintenance



- Furniture may scratch floors. We recommend using furniture pads to protect your floors.



- Do not put hot items directly on furniture surface.



- Do not clean furniture with harsh cleansers or polish.



- Do not place furniture under direct sunlight.



- Do not place furniture near heating or cooling vents.



- Do not write on furniture without a padded barrier to protect the surface.



- Do not place furniture outside . For indoor use only.



- Not for commercial use. For residential use only.



- Stains may be removed with mild soap solution and damp cloth.



- Children should not climb or jump on the furniture.



- Dust and pick-up spills using a clean, non-colored, lint-free cloth.