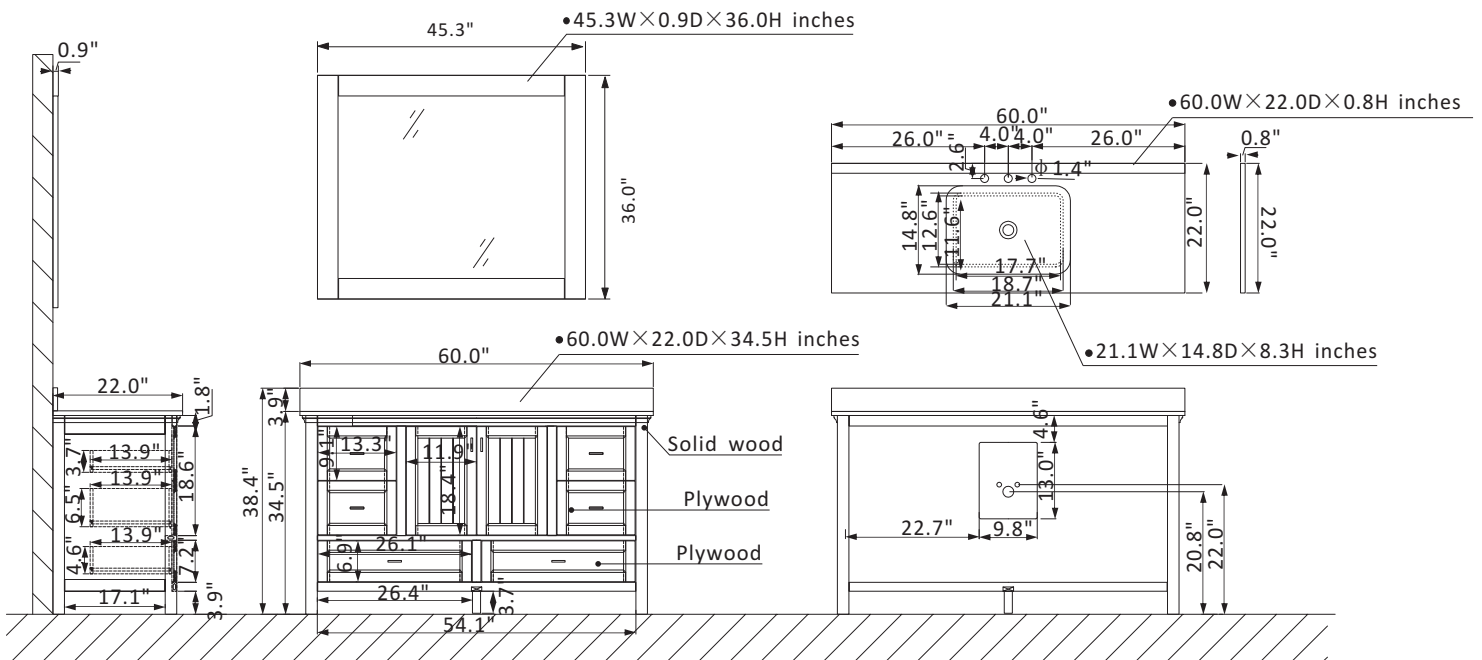


Vanity



Features

Construction: Solid wood / plywood

Finish: Classic Blue Finish or Gray Finish

Countertop: Artificial Carrara White Stone Countertop with backsplash

Sink: Rectangular, undermount ceramic basin with overflow included

Faucet: Vanity top with pre-drilled 8" widespread faucet hole

Door/Drawer: 6 soft-closing drawers (4 small, 2 large) and 2 soft-closing doors

Mirror: Single matching, framed mirror

Hardware: Brushed copper finish hardware

Installation: Easy plumbing and faucet installation*

* Does not include faucet, drain assembly, or P-trap