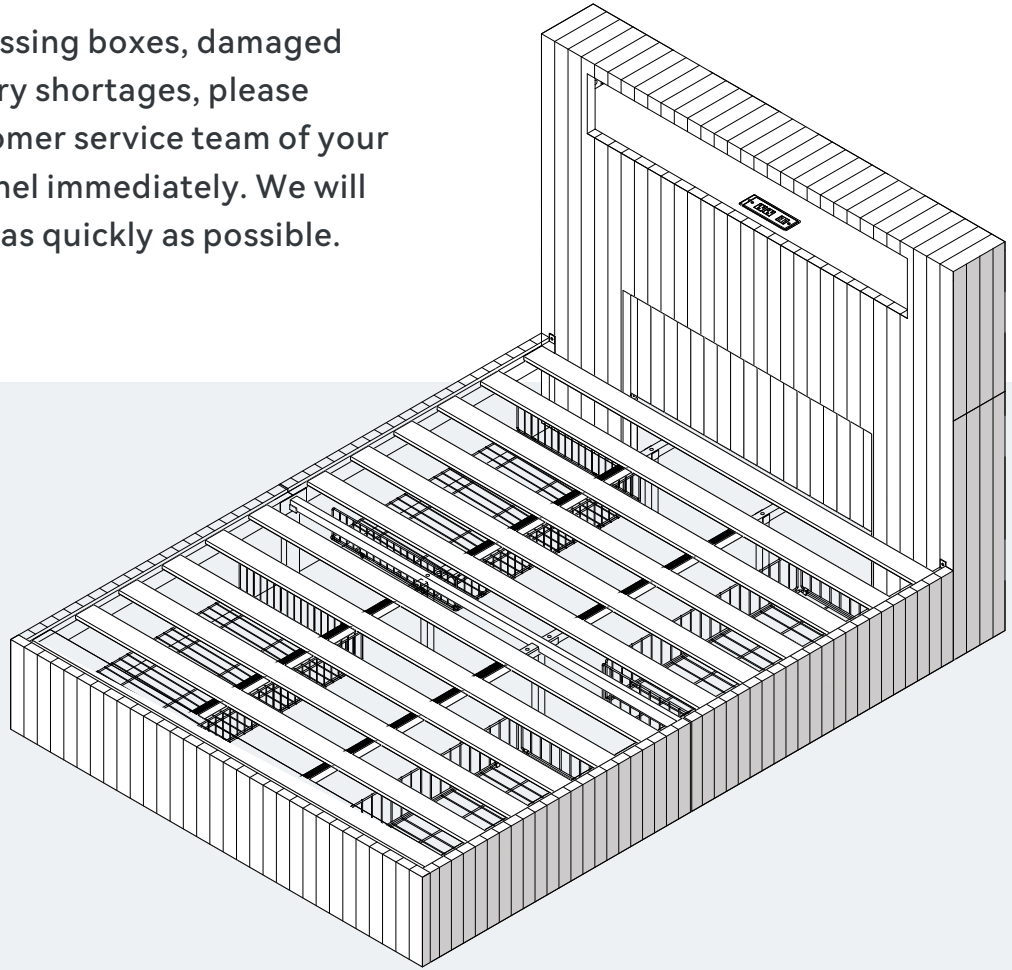


# Storage Bed Frame

Assembly Instruction - Please keep properly for future reference.

If you find any missing boxes, damaged parts, or accessory shortages, please contact the customer service team of your purchasing channel immediately. We will resolve the issue as quickly as possible.



## CONTACT US

- **Email: [service@grandtunnel.com](mailto:service@grandtunnel.com)**

In order to receive assistance more quickly, please provide

## THE FOLLOWING INFORMATION:

- Order number
- Purchase platform
- Purchase date
- Detailed description of the issue along with photos (if applicable)

**Important** - Please read these instructions carefully before starting the installation.

# Before Assembly



Thank you for choosing this product!

To ensure safe use and long-term maintenance, please read this manual carefully and keep it properly for future reference.

## Packaging Notice:

### 1. Multi-Box Shipping Notice

This product is packaged in 2 separate boxes for shipping and may arrive in batches at different times. To ensure a smooth assembly process, please make sure all boxes are received before unpacking and starting the installation.

### 2. Box and Packaging Verification

Each box is labeled with a corresponding number. Please refer to the packing list on the next page of this manual to verify that all boxes have been received.

If you find any missing boxes, damaged parts, or accessory shortages, please contact the customer service team of your purchasing channel immediately. We will resolve the issue as quickly as possible.

## Important Notice:

- To ensure a smooth and successful installation, please read this guide carefully. It provides essential information about the required tools, materials, and assembly steps. Follow the instructions in each section to avoid any issues caused by improper installation.
- Please review all operational and safety guidelines to ensure proper and secure assembly.
- This guide reflects the most current product information available at the time of printing. We reserve the right to make changes to product features, packaging, or availability without prior notice.
- Before starting assembly, ensure that all necessary electrical and environmental preparations are completed.
- This manual contains important instructions regarding installation, cleaning, and maintenance. Please read it thoroughly and keep it for future reference.

# Safety Warnings



## 1. Follow Warning Labels

Do not remove, alter, or obscure any warning labels on the product or packaging. Always adhere to the displayed safety instructions to ensure proper usage.

## 2. Conduct Regular Inspections

Periodically inspect all components to ensure they are properly installed, undamaged, and securely fastened. Report any issues to customer support immediately.

## 3. Practice Safe Usage

Avoid playing, jumping, or engaging in activities on or under the bed, as this may cause injury or structural damage.

## 4. Beware of Rope Hazards

Do not attach ropes, hooks, straps, or any non-designated accessories to any part of the bed, as this may pose a safety hazard.

## 5. Keep This Manual for Reference

Store this manual in a safe and accessible place for future reference.

## 6. Safety is a Shared Responsibility

Ensuring safety is a joint responsibility between the manufacturer and the user. Please follow all safety precautions during assembly and use.

## Disclaimer

We are committed to delivering safe, high-quality, and reliable products to our customers. If you have any questions, concerns, or require further assistance, please contact our customer service team without hesitation.

# Safety Instructions / Warnings



**Please read and follow all instructions carefully before installation and use.**

## **WARNING:**

**Risk of electric shock – Do not open or disassemble electrical parts.**

- Use only the power cord specifically provided for this product. Plug rating: 120V, USB output: 5V.
- Do not use with damaged power cords or plugs.
- Keep power cables away from moving or sharp parts of the furniture.
- Do not use extension cords or power strips unless specifically approved for the load.

- This product is **not a toy**. Do not allow children to play with electrical components or moving parts.
- Children under 8 years old must be kept away from the furniture unless continuously supervised.
- Keep remote controls, control switches, and ports out of children's reach.
- Always **disconnect the product from power** before cleaning, maintenance, or relocation.
- Do not attempt to open, modify, or repair electrical components.
- **Repairs must be performed by qualified professionals only.**
- Do not insert any foreign objects into openings or mechanisms.
- Clean with a dry cloth or a slightly damp soft cloth. Do not use solvents.
- This product is intended **for indoor** use only in dry environments.
- Do not expose the furniture to moisture, liquids, or direct sunlight.
- \* Ensure stability and clearance around any moving parts (e.g., lift mechanisms, recliners).
- Do not overload power outlets or USB ports beyond the specified ratings.
- **Always unplug the product when it is not in use.**

## FCC Information:

**CAUTION:** Changes or modifications not expressly approved by the party responsible for compliance could void the user's authority to operate the equipment!

This device complies with Part 15 of the FCC Rules. Operation is subject to the following two conditions:

- 1) This product may cause harmful interference.
- 2) This product must accept any interference received, including interference that may cause undesired operation.

**WARNING:** Changes or modifications to this product not expressly approved by the party responsible for compliance could void the user's authority to operate the product.

**Note:** This product has been tested and found to comply with the limits for a Class B digital device pursuant to Part 15 of the FCC Rules, These limits are designed to provide reasonable protection against harmful interference in a residential installation.

This product generates, uses and can radiate radio frequency energy, and if not installed and used in accordance with the instructions, may cause harmful interference to radio communications. However, there is no guarantee that interference will not occur in a particular installation. If this product does cause harmful interference to radio or television reception, which can be determined by turning the product off and on, the user is encouraged to try to correct the interference by one or more of the following measures.

- Reorient or relocate the receiving antenna.
- Increase the distance between the product and receiver.
- Connect the product to an outlet on a circuit different from that to which the receiver is connected.
- Consult the dealer or an experienced radio/TV technician for assistance.

# Maintenance and Care Recommendations



## 1. Regular Cleaning

To maintain hygiene and prevent bacterial growth, clean the product regularly. Use a damp, well-wrung cloth to avoid excess moisture and prevent surface scratches.

## 2. Prevent Corrosion

Keep the product away from acidic or alkaline substances, as they may cause corrosion or damage to the materials.

## 3. Use Only Authorized Replacement Parts

Do not use unauthorized or third-party replacement parts, as they may compromise the product's safety and durability. If a replacement is needed, contact the manufacturer or an authorized dealer for approved parts.

## 4. Cleaning Precautions

Do not machine wash or rinse any part of the product directly with water, as this may damage the materials and reduce product lifespan.

## 5. Prevent Pests

Keep wooden furniture away from damp or humid areas to prevent pest infestations and wood damage. Use a dehumidifier or air conditioner during humid seasons to maintain a dry environment.

## 6. Protect from Sunlight

Avoid placing furniture in direct sunlight, as prolonged exposure may cause cracking, discoloration, or fading. If sunlight exposure is unavoidable, use curtains or shades to minimize damage.

## 7. Keep Away from Fire

Position furniture away from heat sources and open flames to prevent damage and maintain its condition.

## 8. Perform Regular Care

Apply furniture oil periodically to maintain the wood's shine, prevent cracks, and extend its lifespan.

## 9. Clean Frequently

Regularly vacuum dust and debris, especially underneath furniture, to keep it clean and hygienic.

## 10. Maintain a Dry Environment

Ensure good ventilation to prevent moisture buildup, which can damage wood. Use a dehumidifier if necessary to protect the furniture.

## 11. Avoid Corrosive Liquids

Keep furniture away from acidic or alkaline substances, as these can damage the surface and reduce durability.

## 12. Use a Damp Cloth for Cleaning

Wipe furniture with a well-wrung damp cloth to prevent water damage or swelling.

Avoid excessive moisture exposure.

## 13. Limit Sun Exposure

Excessive sunlight can dry out and weaken wood. Position furniture in shaded areas or use UV-blocking curtains to protect it from damage.

# Customer Service Guide



Thank you for choosing our product! We are committed to providing you with excellent service. If you find any missing parts, damaged packaging, or product damage after receiving all packages, please follow the steps below to quickly contact our customer service team. We will do our best to resolve your issue.

## 1. Missing Parts

### Verify Parts:

1. Refer to the “Parts List” in the manual to verify the name, specifications, and quantity of the missing parts.
2. Take a clear photo of the parts list and mark the missing parts with detailed information, e.g., “Missing 5 pieces of M6×30mm screws.”

### Contact Us:

#### By Email:

Send an email to [service@grandtunnel.com](mailto:service@grandtunnel.com), with the subject line “Missing Parts Issue.” Include the following in the email:

- A description of the missing parts and a photo of the parts list.
- Order details (order number, purchase platform, purchase date).

## 2. Product or Packaging Damage

### If it affects normal use:

#### Steps:

1. Take clear photos or videos showing the damaged parts and the extent of the damage (multi-angle shots are recommended).
2. Email the photos/videos along with order details to [service@grandtunnel.com](mailto:service@grandtunnel.com), with the subject line "Product Damage Issue."

#### Resolution:

After verification, we will arrange for a replacement part, product exchange, or refund as quickly as possible.

### If it does not affect normal use:

#### Steps:

1. Contact our customer service team (by email: [service@grandtunnel.com](mailto:service@grandtunnel.com)).
2. Provide a description of the damage and include relevant photos or videos.

#### Resolution:

We will provide repair guidance or an appropriate compensation plan based on the specific situation.

### Contact Us:

Customer Service Email: [service@grandtunnel.com](mailto:service@grandtunnel.com)

## Helpful Tips

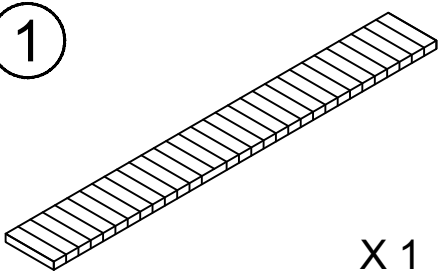
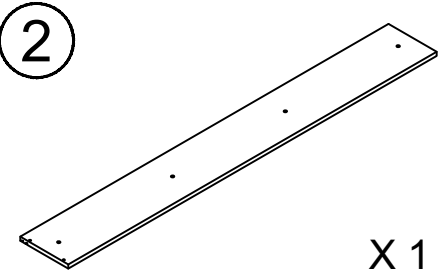
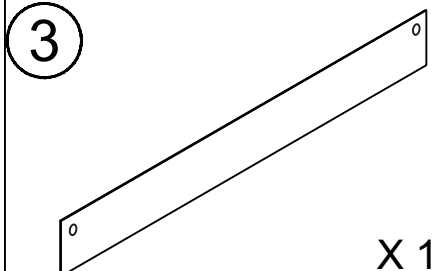
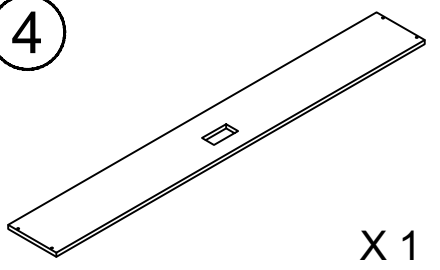
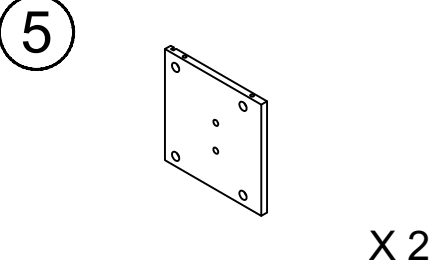
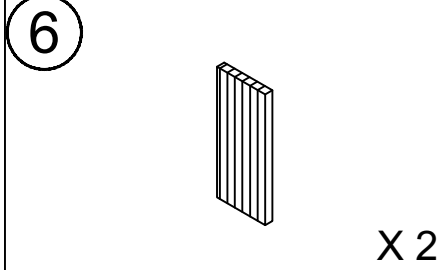
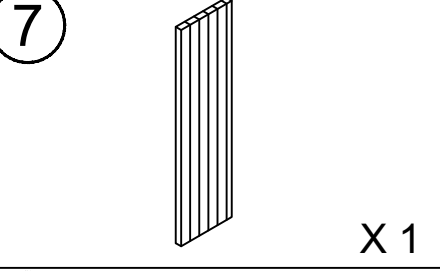
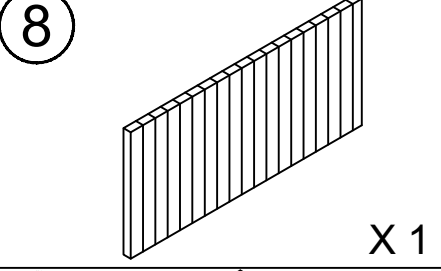
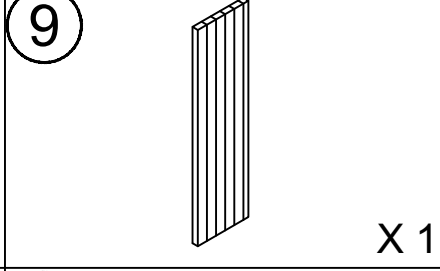
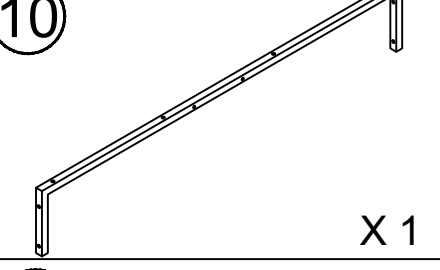
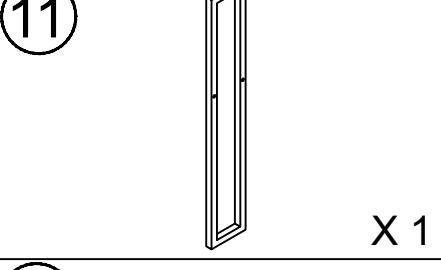
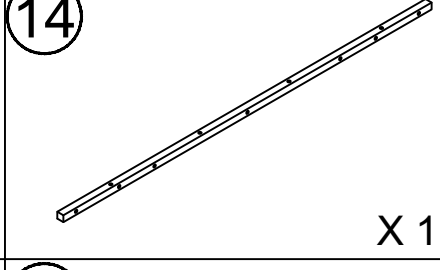
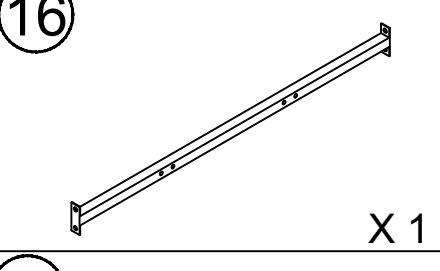
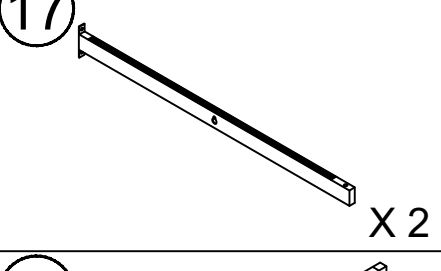
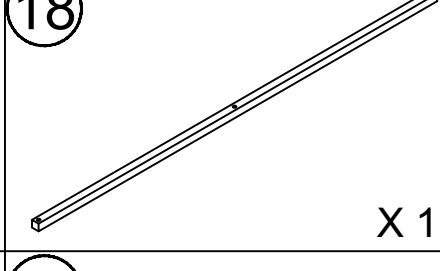
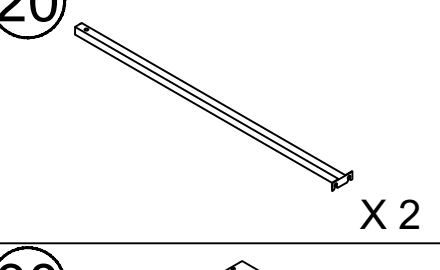
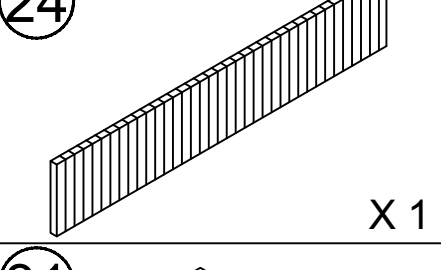
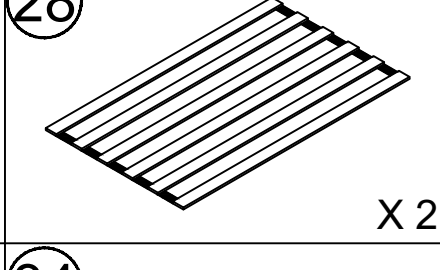
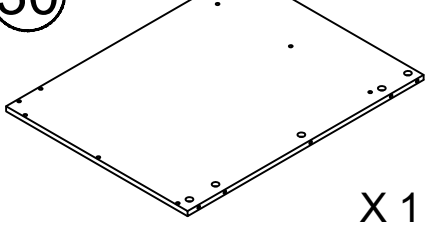
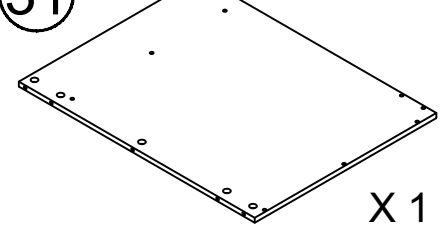
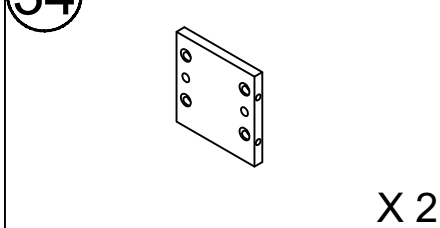
### To process your issue efficiently, please prepare the following information:

- Order details (order number, purchase platform, purchase date).
- Clear photos or videos.
- We are committed to providing quick and professional solutions, no matter the size of the issue, to ensure your satisfaction.

**Thank you for your trust and support!**  
**We hope you enjoy using our product!**

# ASSEMBLY INSTRUCTIONS

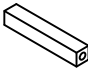

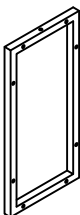
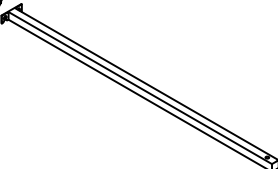
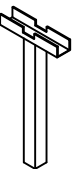
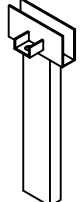

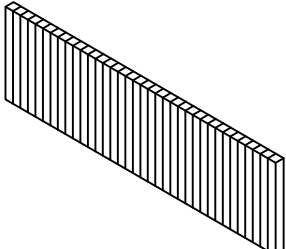
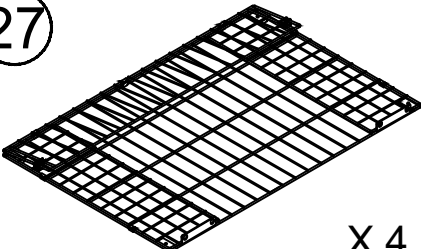
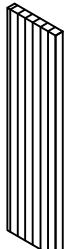
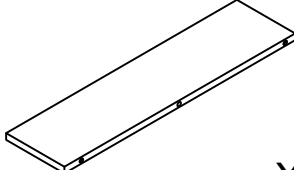

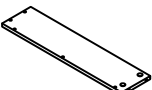
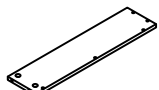
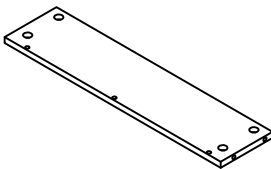
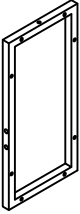
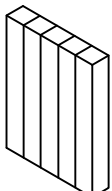
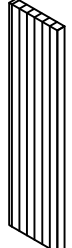

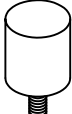
## The box 1

 <p>1</p> <p>X 1</p>	 <p>2</p> <p>X 1</p>	 <p>3</p> <p>X 1</p>
 <p>4</p> <p>X 1</p>	 <p>5</p> <p>X 2</p>	 <p>6</p> <p>X 2</p>
 <p>7</p> <p>X 1</p>	 <p>8</p> <p>X 1</p>	 <p>9</p> <p>X 1</p>
 <p>10</p> <p>X 1</p>	 <p>11</p> <p>X 1</p>	 <p>14</p> <p>X 1</p>
 <p>16</p> <p>X 1</p>	 <p>17</p> <p>X 2</p>	 <p>18</p> <p>X 1</p>
 <p>20</p> <p>X 2</p>	 <p>24</p> <p>X 1</p>	 <p>28</p> <p>X 2</p>
 <p>30</p> <p>X 1</p>	 <p>31</p> <p>X 1</p>	 <p>34</p> <p>X 2</p>




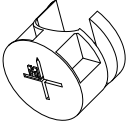

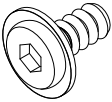
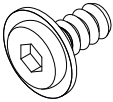
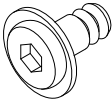
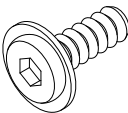
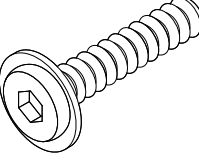
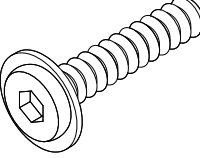
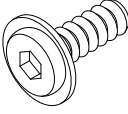


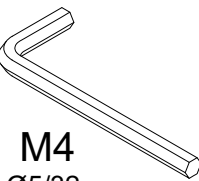
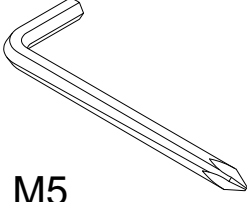
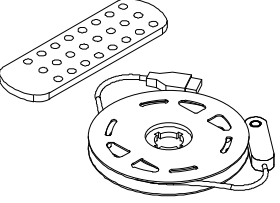
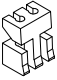
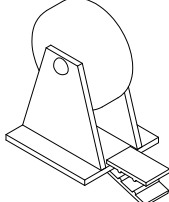
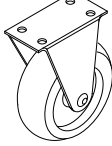
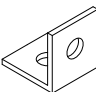
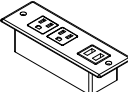

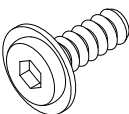
# ASSEMBLY INSTRUCTIONS

## The box 2

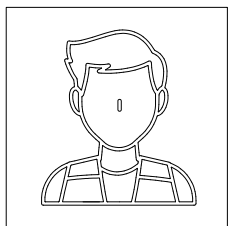
<p>12</p>  <p>X 2</p>	<p>13</p>  <p>X 2</p>	<p>15</p>  <p>X 1</p>
<p>19</p>  <p>X 2</p>	<p>21</p>  <p>X 2</p>	<p>22</p>  <p>X 2</p>
<p>23</p>  <p>X 2</p>	<p>25</p>  <p>X 4</p>	<p>27</p>  <p>X 4</p>
<p>29</p>  <p>X 1</p>	<p>32</p>  <p>X 2</p>	<p>33</p>  <p>X 2</p>
<p>35</p>  <p>X 1</p>	<p>36</p>  <p>X 1</p>	<p>38</p>  <p>X 2</p>
<p>40</p>  <p>X 1</p>	<p>41</p>  <p>X 2</p>	<p>42</p>  <p>X 1</p>
<p>44</p>  <p>X 4</p>	<p>45</p>  <p>X 2</p>	

# ASSEMBLY INSTRUCTIONS

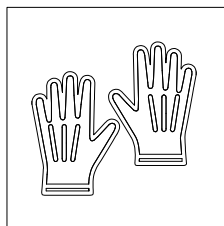
## Hardware List (in Box 1)

<p><b>(A)</b></p>  <p><b>Ø6*40mm</b> Ø9/32*1-37/64"</p> <p><b>X58</b></p>	<p><b>(B)</b></p>  <p><b>Ø15*10mm</b> Ø19/32*25/64"</p> <p><b>X58</b></p>	<p><b>(C)</b></p>  <p><b>Φ6*30mm</b> Ø1/4*1-3/16"</p> <p><b>X8</b></p>	
<p><b>(D)</b></p>  <p><b>M8*15mm</b> Ø5/16*19/32"</p> <p><b>X28</b></p>	<p><b>(E)</b></p>  <p><b>M8*20mm</b> Ø5/16*51/64"</p> <p><b>X16</b></p>	<p><b>(F)</b></p>  <p><b>M8*20mm</b> Ø5/16*51/64"</p> <p><b>X4</b></p>	
<p><b>(G)</b></p>  <p><b>M8*25mm</b> Ø5/16*1-63/64"</p> <p><b>X16</b></p>	<p><b>(H)</b></p>  <p><b>M8*40mm</b> Ø5/16*1-37/64"</p> <p><b>X60</b></p>	<p><b>(I)</b></p>  <p><b>M8*50mm</b> Ø5/16*1-31/32"</p> <p><b>X6</b></p>	
<p><b>(J)</b></p>  <p><b>M6*35mm</b> Ø1/4*1-3/8"</p> <p><b>X10</b></p>	<p><b>(L)</b></p>  <p><b>M4*12mm</b> Ø5/32*15/32"</p> <p><b>X32</b></p>	<p><b>(M)</b></p>  <p><b>M4*15mm</b> Ø5/32*19/32"</p> <p><b>X2</b></p>	
<p><b>(N)</b></p>  <p><b>M4</b> Ø5/32</p> <p><b>X1</b></p>	<p><b>(O)</b></p>  <p><b>M5</b> Ø13/64</p> <p><b>X1</b></p>	<p><b>(P)</b></p>  <p><b>X1</b></p>	
<p><b>(Q)</b></p>  <p><b>X8</b></p>	<p><b>(R)</b></p>  <p><b>X16</b></p>	<p><b>(S)</b></p>  <p><b>X8</b></p>	
<p><b>(T)</b></p>  <p><b>X4</b></p>	<p><b>(U)</b></p>  <p><b>X1</b></p>	<p><b>(V)</b></p>  <p><b>X1</b></p>	<p><b>(W)</b></p>  <p><b>M6*45mm</b> Ø1/4*1-3/8"</p> <p><b>X2</b></p>

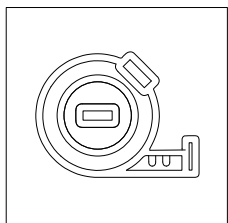
## TOOLS & EQUIPMENT



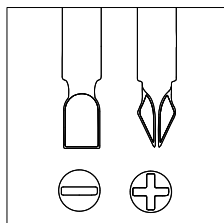
2 people needed



Work gloves



Tape measure



Other Tools Required  
.Phillips Screwdriver  
(Not Included)



## SIMPLE ASSEMBLY STEPS

1. Read the manual carefully.
2. Check all parts and hardware.
3. Prepare necessary tools.
4. Have at least two adults for assembly.
5. Assemble on a flat surface for balance.
6. Do not tighten screws until assembly is complete.

Protect parts during assembly. Clean surfaces with a damp cloth only.

Customer Support:

If parts are missing or you need assistance, please contact us. When calling or emailing, please provide your order number and relevant product information.

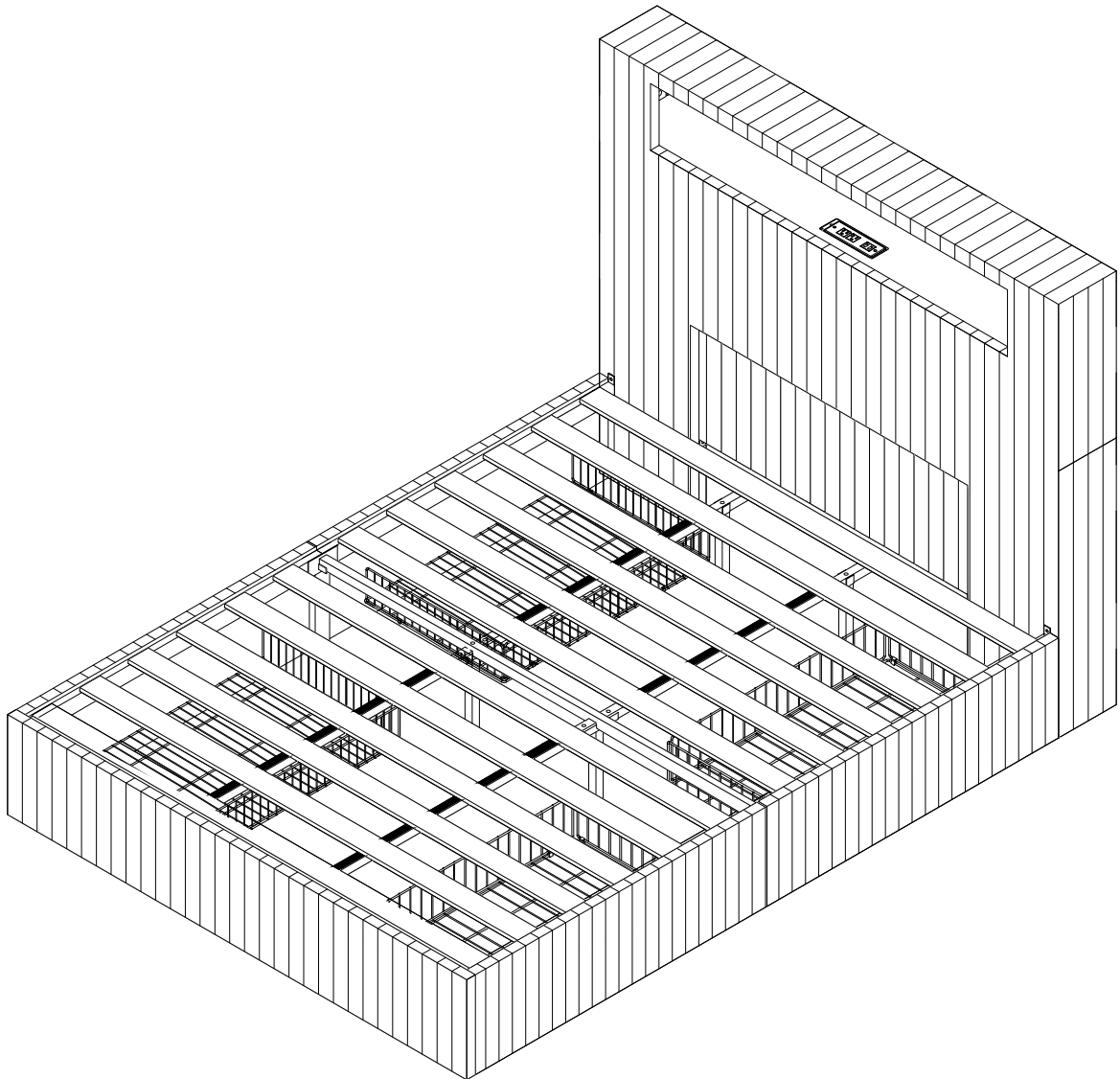
# STORAGE BED FRAME

ASSEMBLY INSTRUCTIONS - PLEASE KEEP FOR FUTURE REFERENCE



## NOTE:

Comes with TWO PACKAGES with TWO TRACKINGS, may NOT be delivered at the same time.



Important - Please read these instructions fully before starting assembly

## Choose Your Installation Method

You can choose from the following installation options:

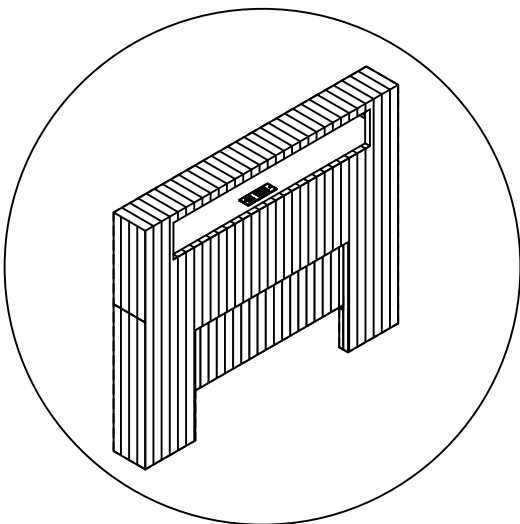
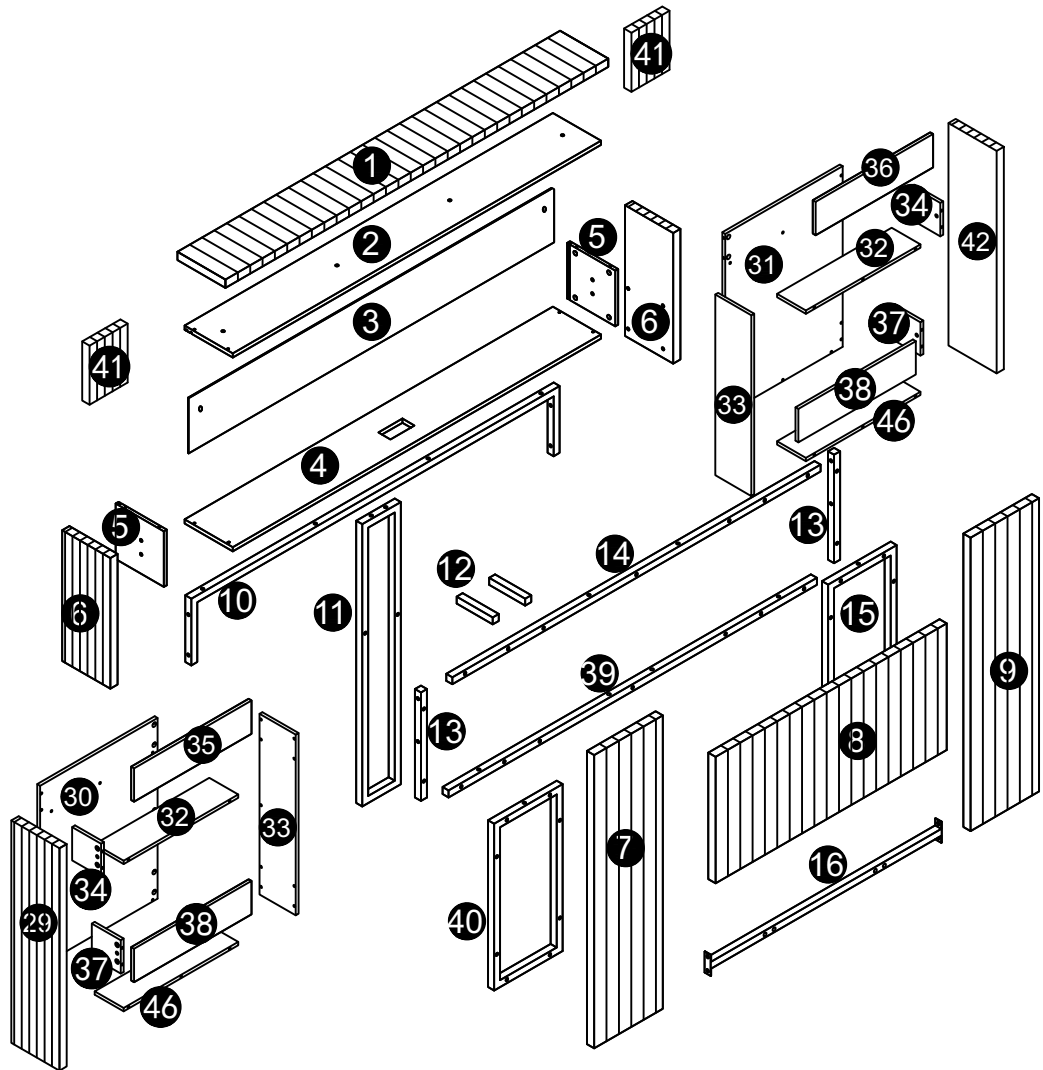
1. Paper installation manual included with the product.
2. 3D installation guide.
3. A combination of paper manual and 3D installation guide.

**Note:** The panel numbers may differ between the two methods.



**Scan to access the 3D installation guide**

## HEADBOARD SECTION



### HARDWARE ACCESSORY LIST

<b>A</b>	Ø6*40mm Ø9/32*1-37/64" x58	<b>W</b>	M6*45mm Ø1/4*1-49/64" x2
<b>B</b>	Ø15*10mm Ø19/32*25/64" x58	<b>J</b>	M6*35mm Ø1/4*1-3/8" x8
<b>C</b>	Ø6*30mm Ø1/4*1-3/16" x8	<b>L</b>	M4*12mm Ø5/32*15/32" x32
<b>D</b>	M8*15mm Ø5/16*19/32" x8	<b>M</b>	M4*15mm Ø5/32*19/32" x2
<b>E</b>	M8*20mm Ø5/16*51/64" x4	<b>N</b>	M4 Ø5/32 x1
<b>G</b>	M8*25mm Ø5/16*1-63/64" x16	<b>O</b>	M5 Ø13/64 x1
<b>H</b>	M8*40mm Ø5/16*1-37/64" x48	<b>P</b>	x1
<b>S</b>	x8	<b>T</b>	x4
<b>U</b>	x1	<b>V</b>	x1

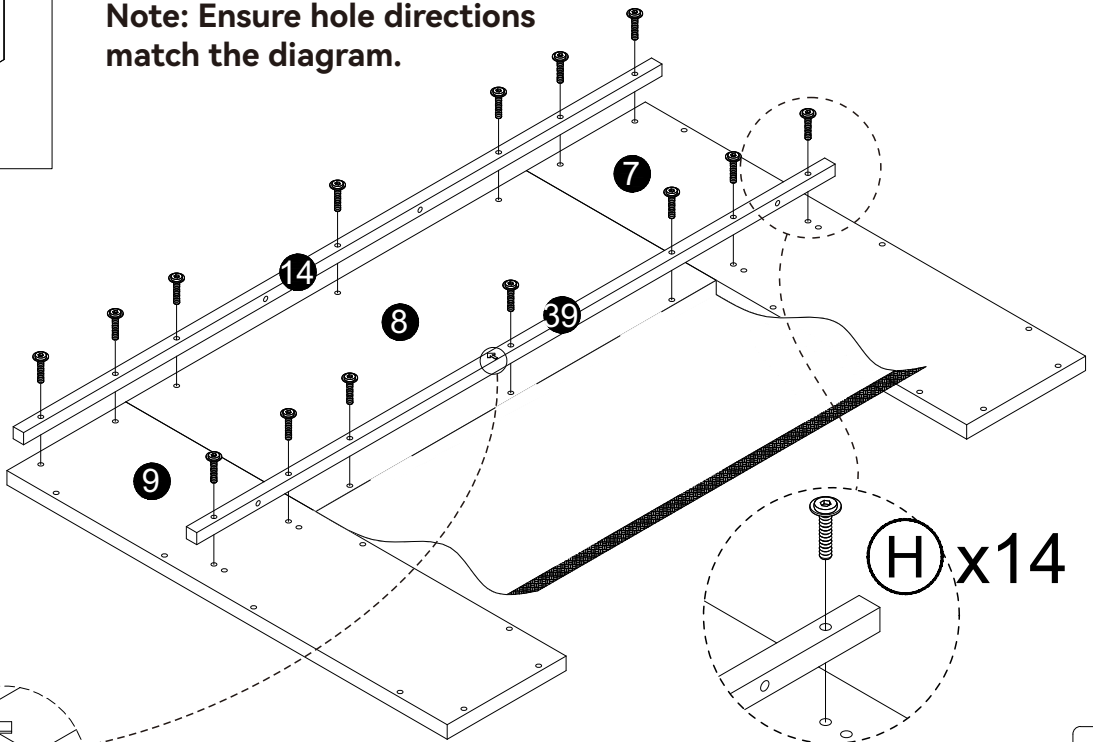
# ASSEMBLY INSTRUCTIONS

## Headboard Section

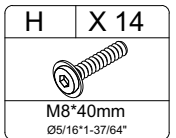
### Step 1

Attach metal rods (14) and (39) to headboard panels (7), (8), and (9). Tighten using screw (H).

**Note:** Ensure hole directions match the diagram.



**Note:** Please assemble (39) according to the direction of the arrow.

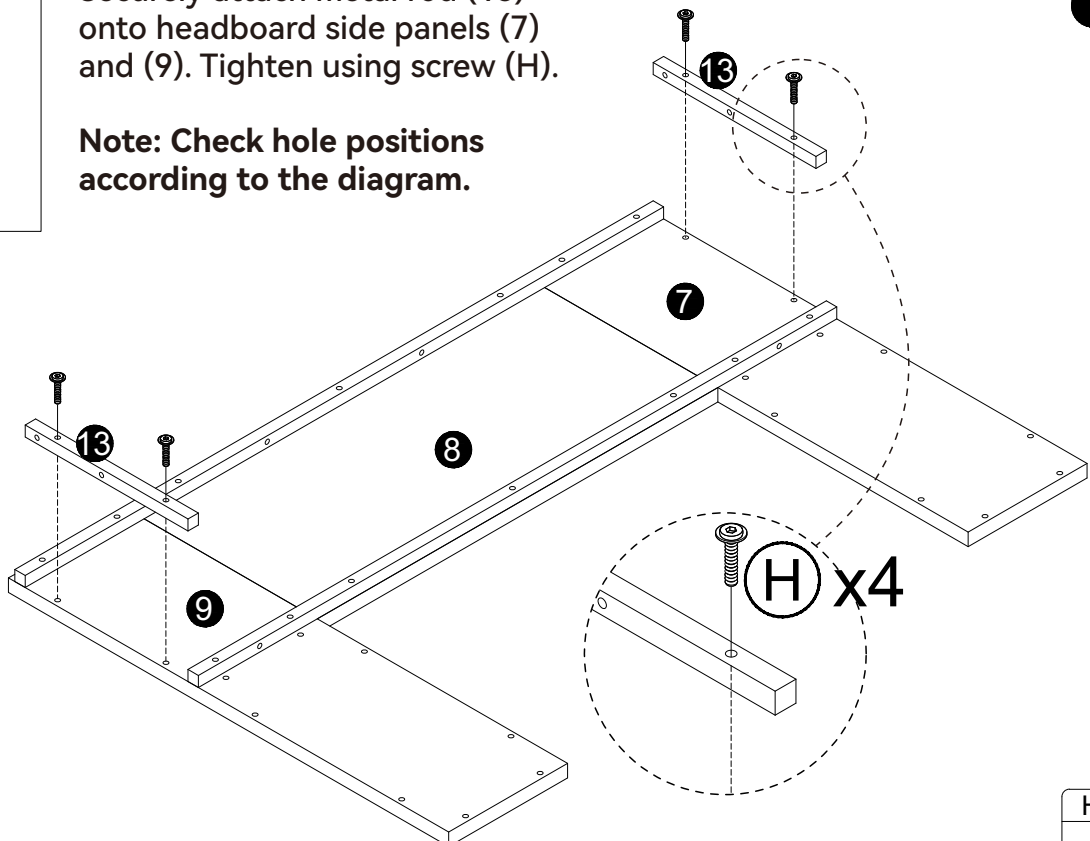


## Headboard Section

### Step 2

Securely attach metal rod (13) onto headboard side panels (7) and (9). Tighten using screw (H).

**Note:** Check hole positions according to the diagram.

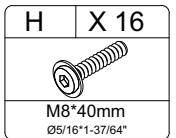
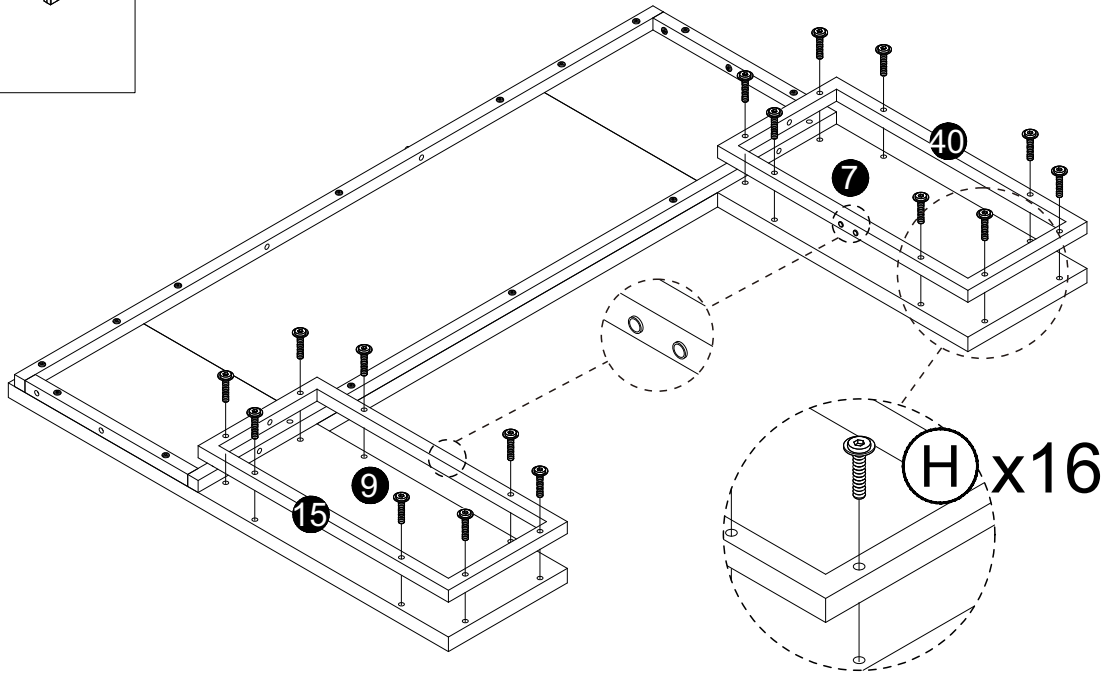


# ASSEMBLY INSTRUCTIONS

## Headboard Section

### Step 3

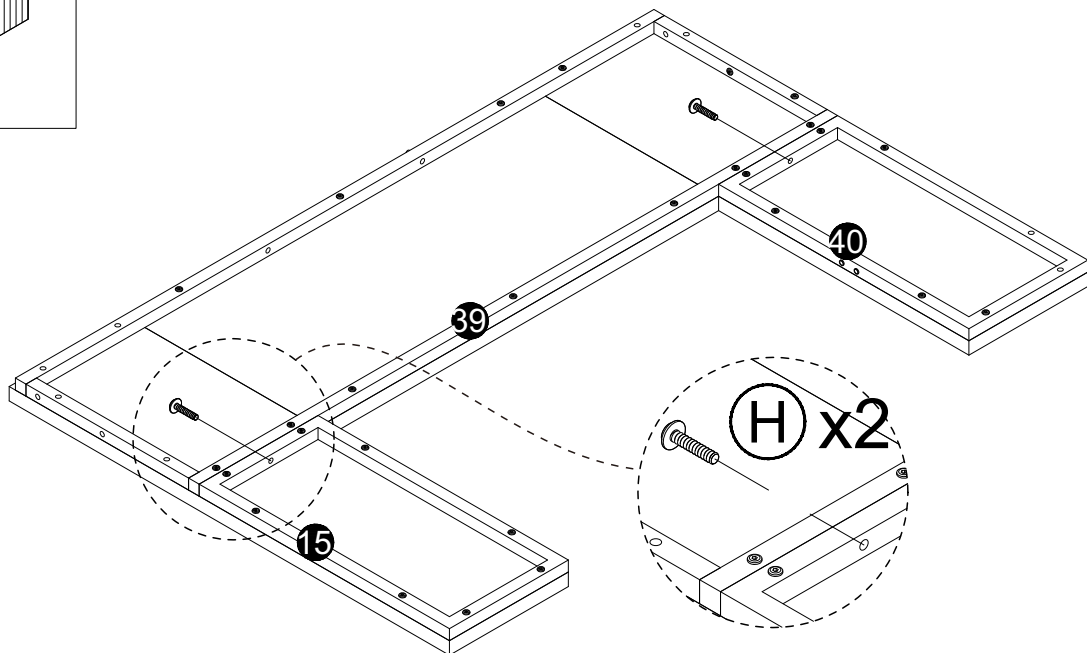
- Attach metal piece (40) to headboard side panel (7). Tighten with screw (H).
- Attach metal frame (15) to headboard side panel (9). Tighten with screw (H).



## Headboard Section

### Step 4

Connect both ends of metal rod (39) firmly to metal pieces (40) and (15). Tighten using screw (H).

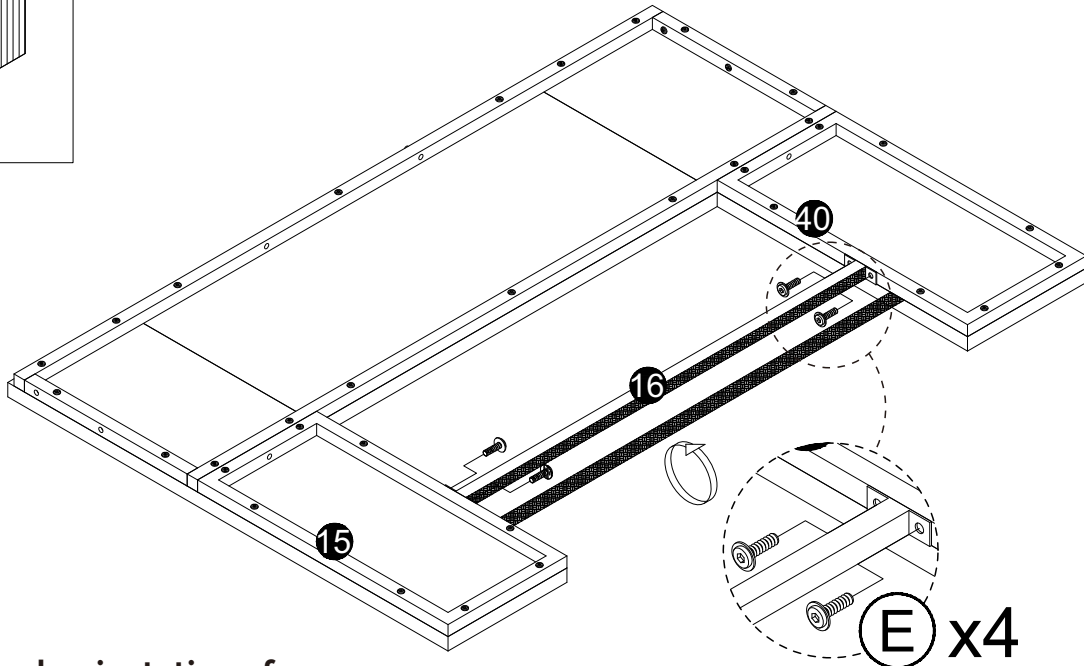
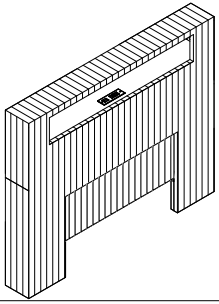


# ASSEMBLY INSTRUCTIONS

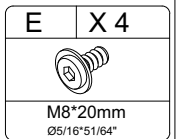
Headboard Section

Step 5

Attach each end of metal rod (16) firmly to pieces (40) and (15). Secure using screws (E).



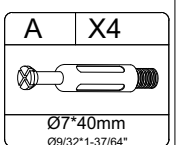
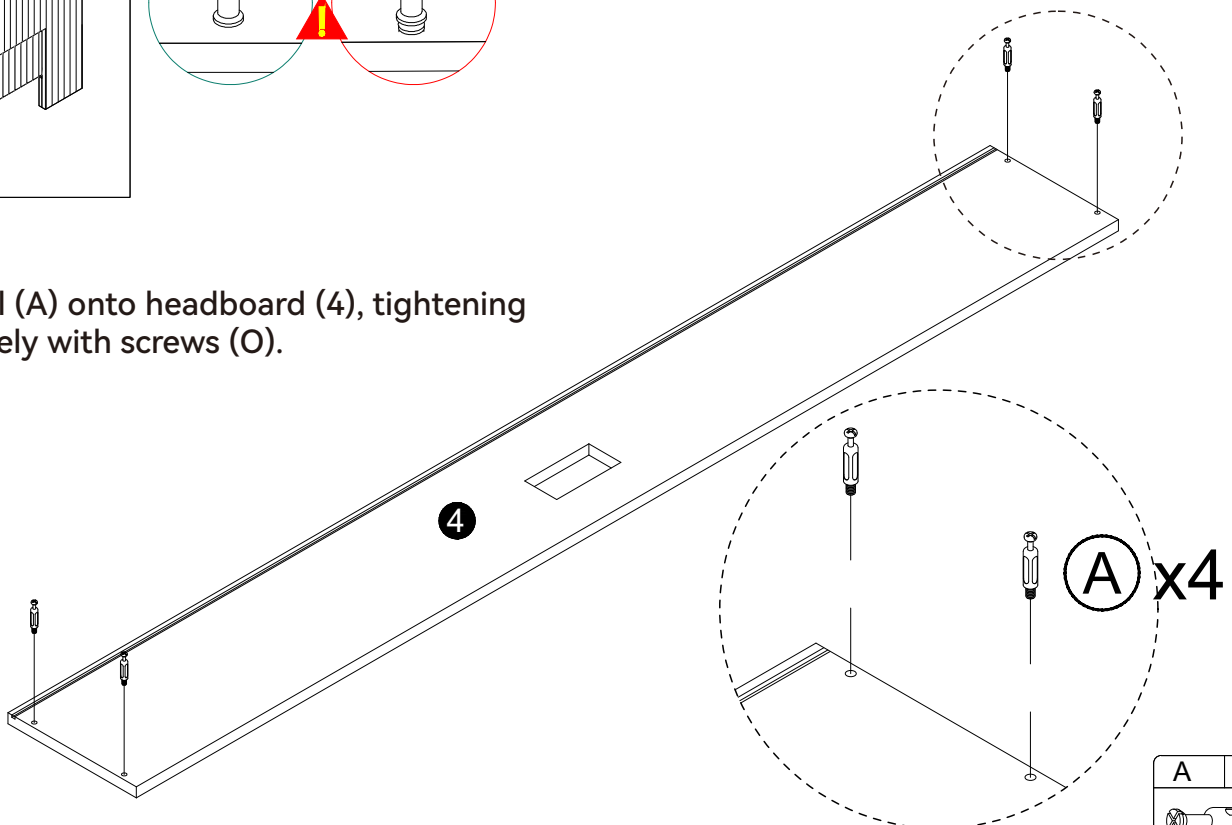
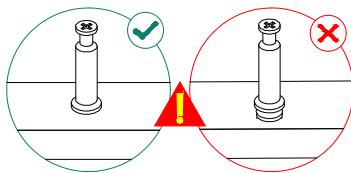
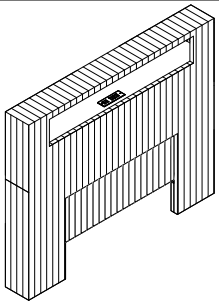
**Note:** Check orientation of Nylon Fastener and holes according to the diagram.



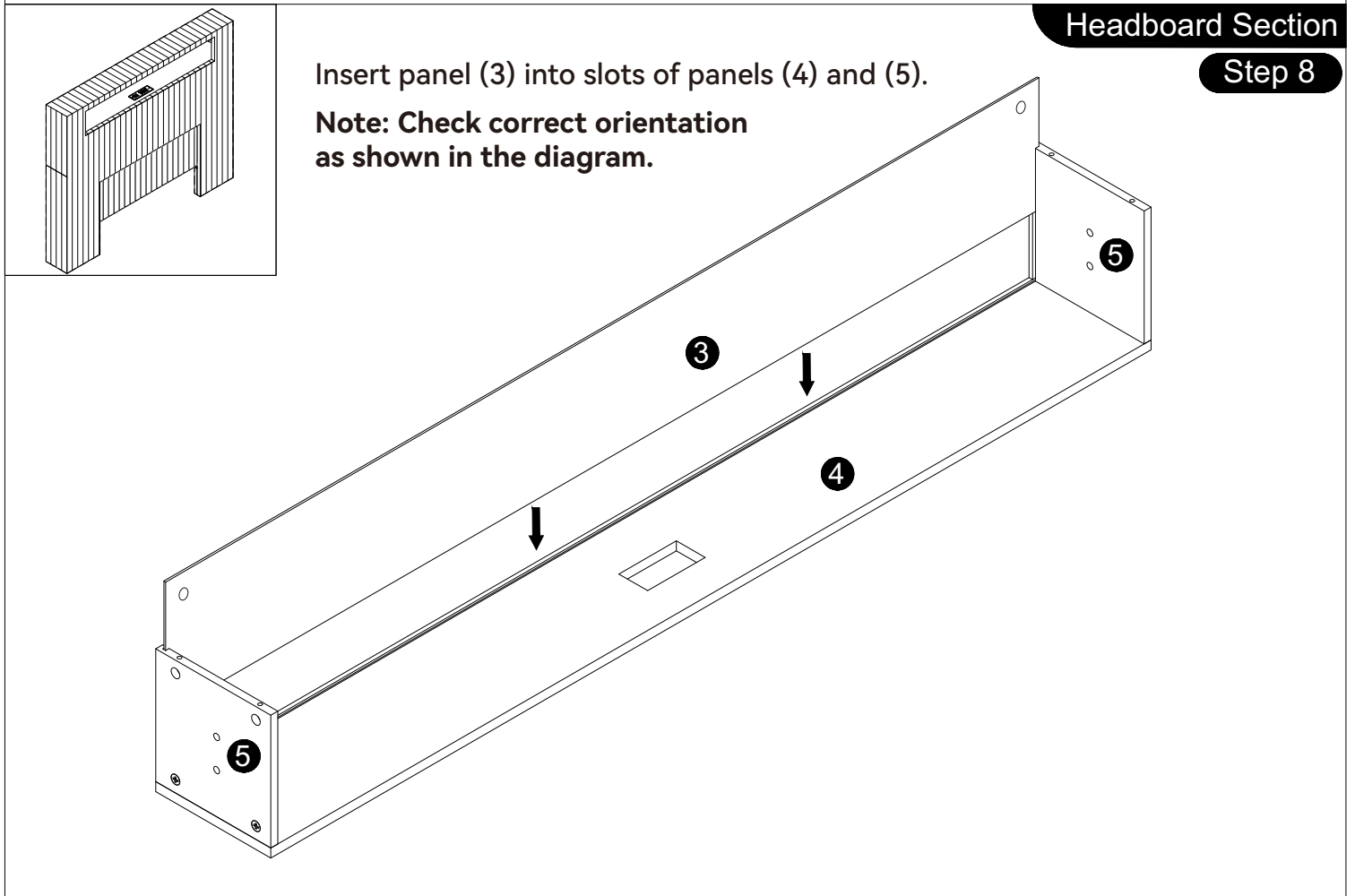
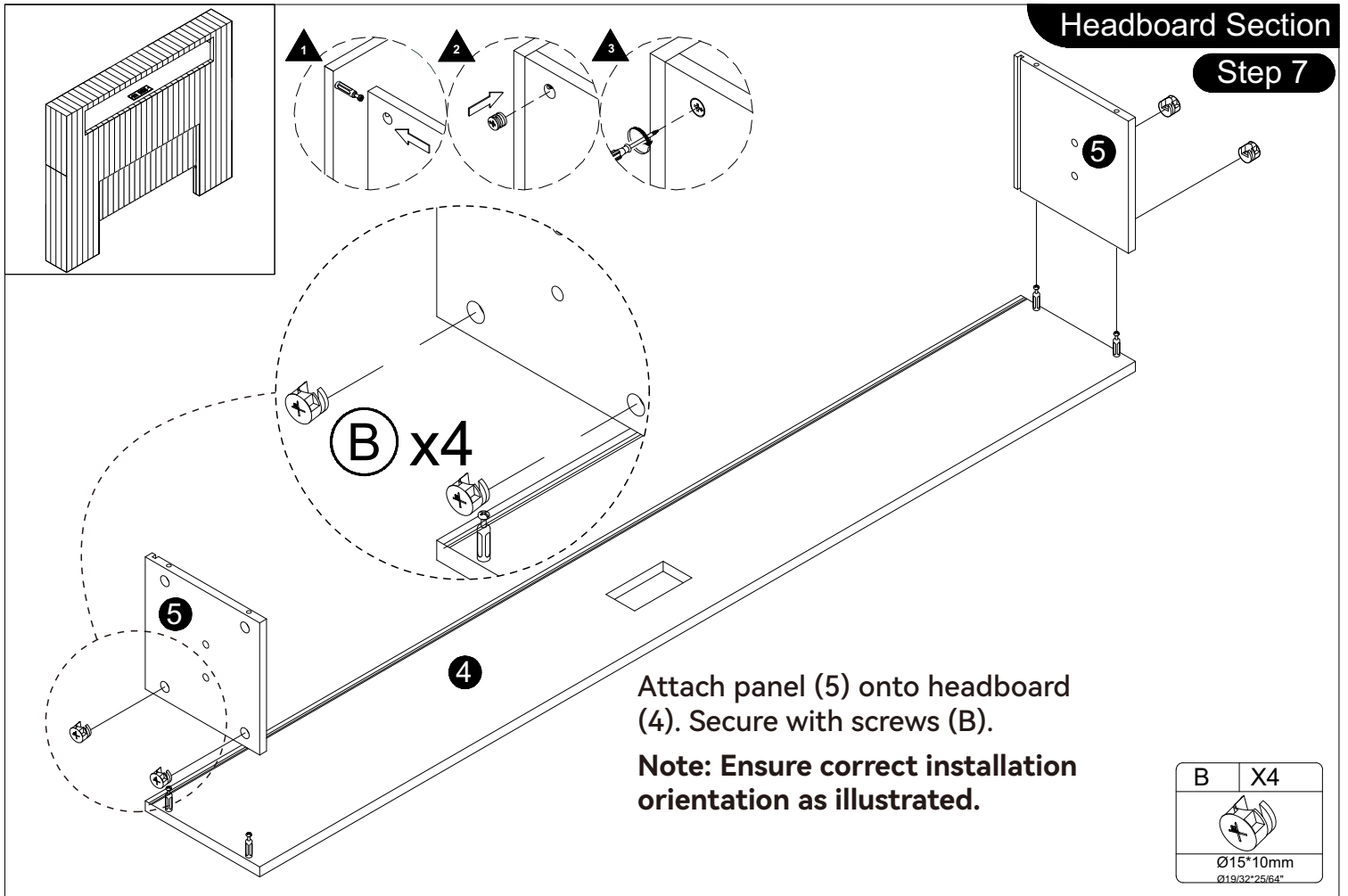
Headboard Section

Step 6

Install (A) onto headboard (4), tightening securely with screws (O).



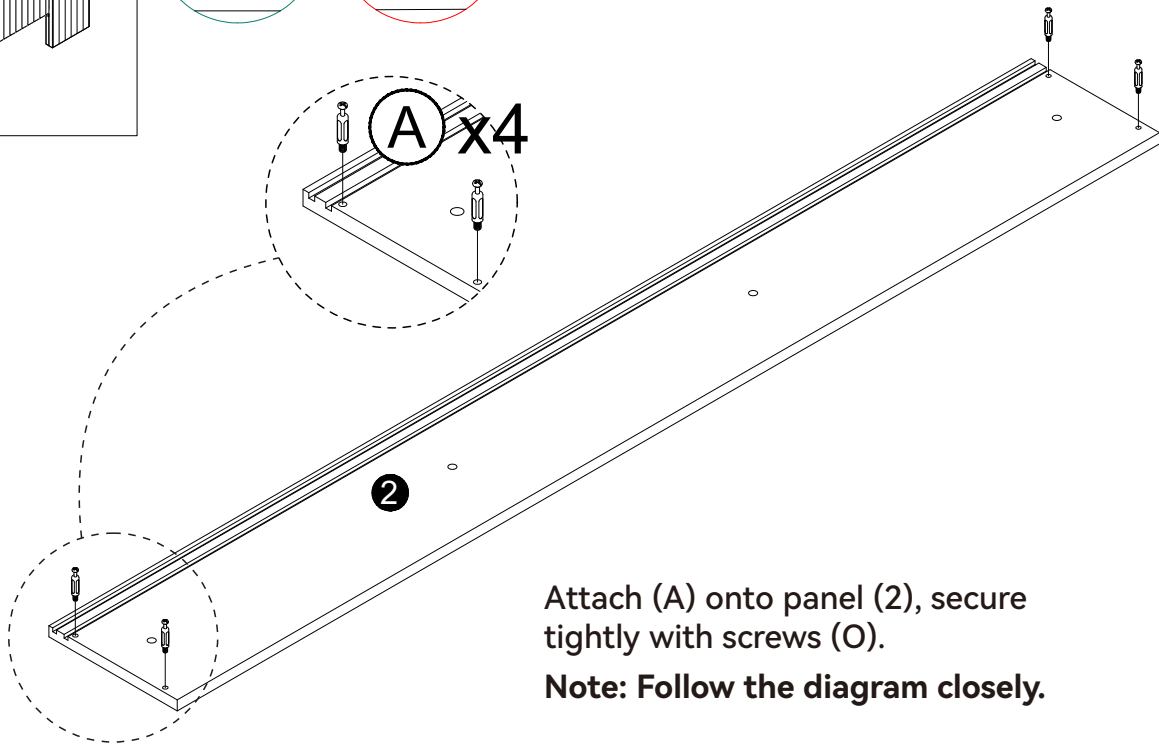
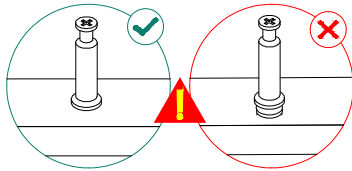
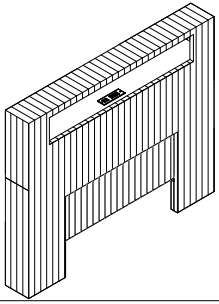
# ASSEMBLY INSTRUCTIONS



# ASSEMBLY INSTRUCTIONS

## Headboard Section

### Step 9



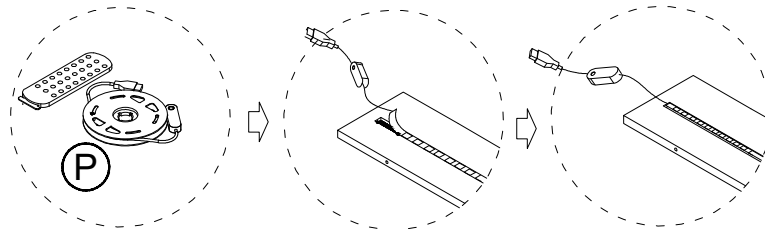
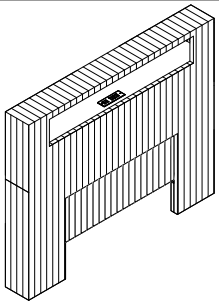
Attach (A) onto panel (2), secure tightly with screws (O).

**Note: Follow the diagram closely.**

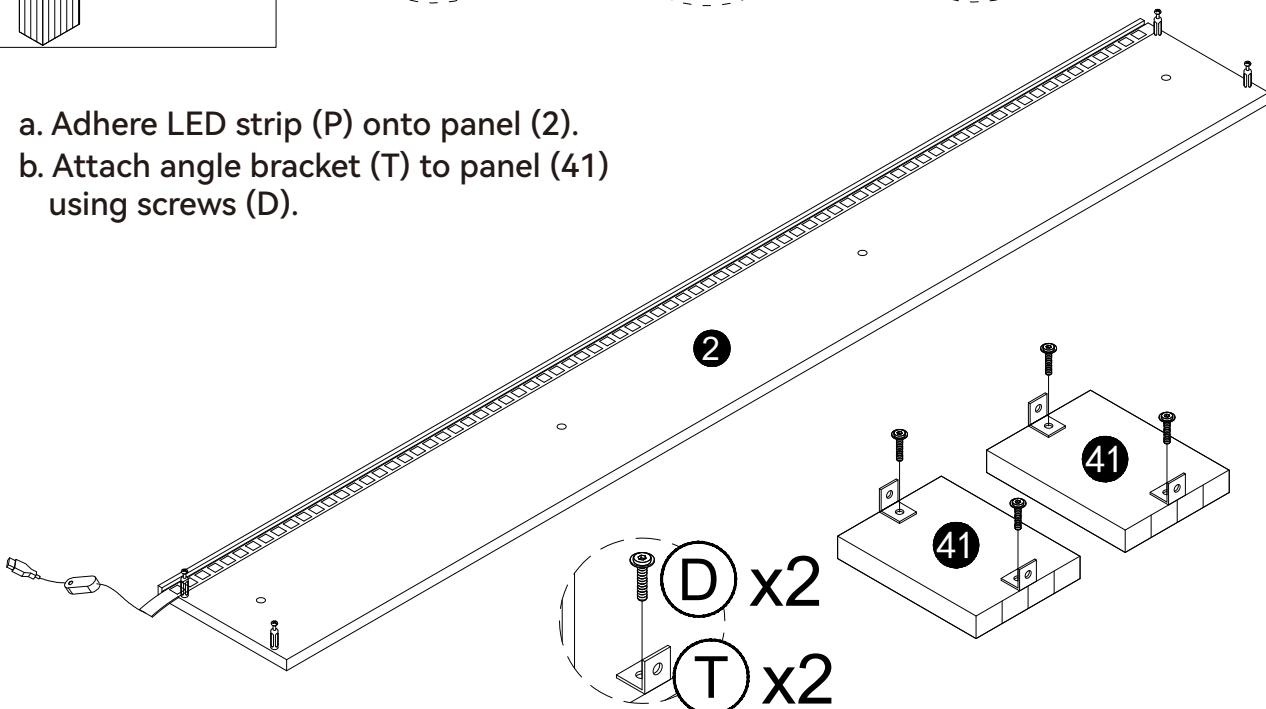
A	X4
Ø7*40mm 09/32"1-37/64"	

## Headboard Section

### Step 10



- Adhere LED strip (P) onto panel (2).
- Attach angle bracket (T) to panel (41) using screws (D).



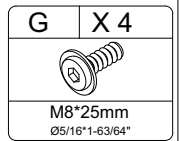
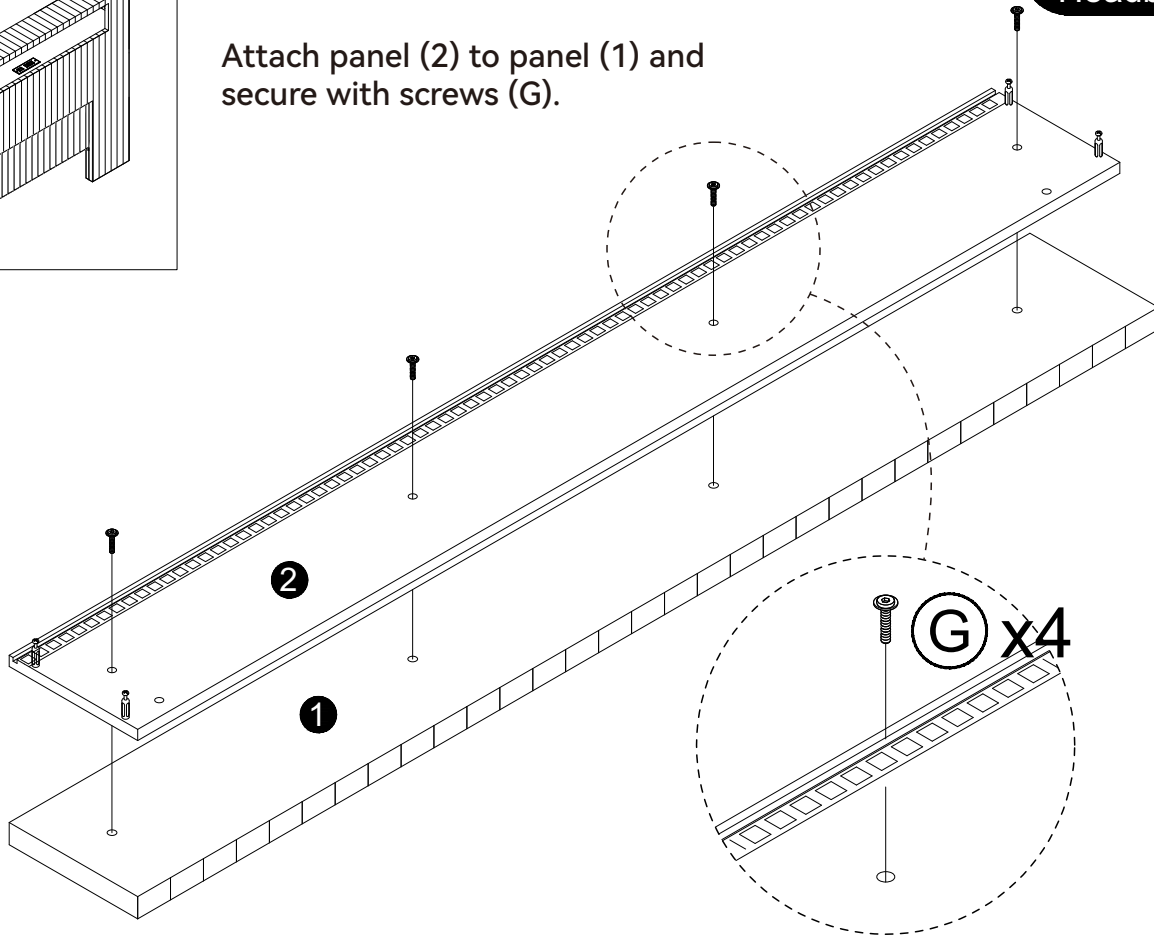
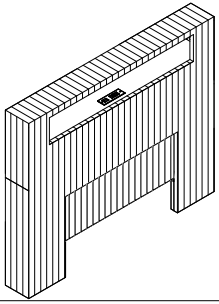
T	X4
D	X4
M8*15mm 05/16"19/32"	
P	X1

# ASSEMBLY INSTRUCTIONS

## Headboard Section

### Step 11

Attach panel (2) to panel (1) and secure with screws (G).

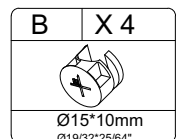
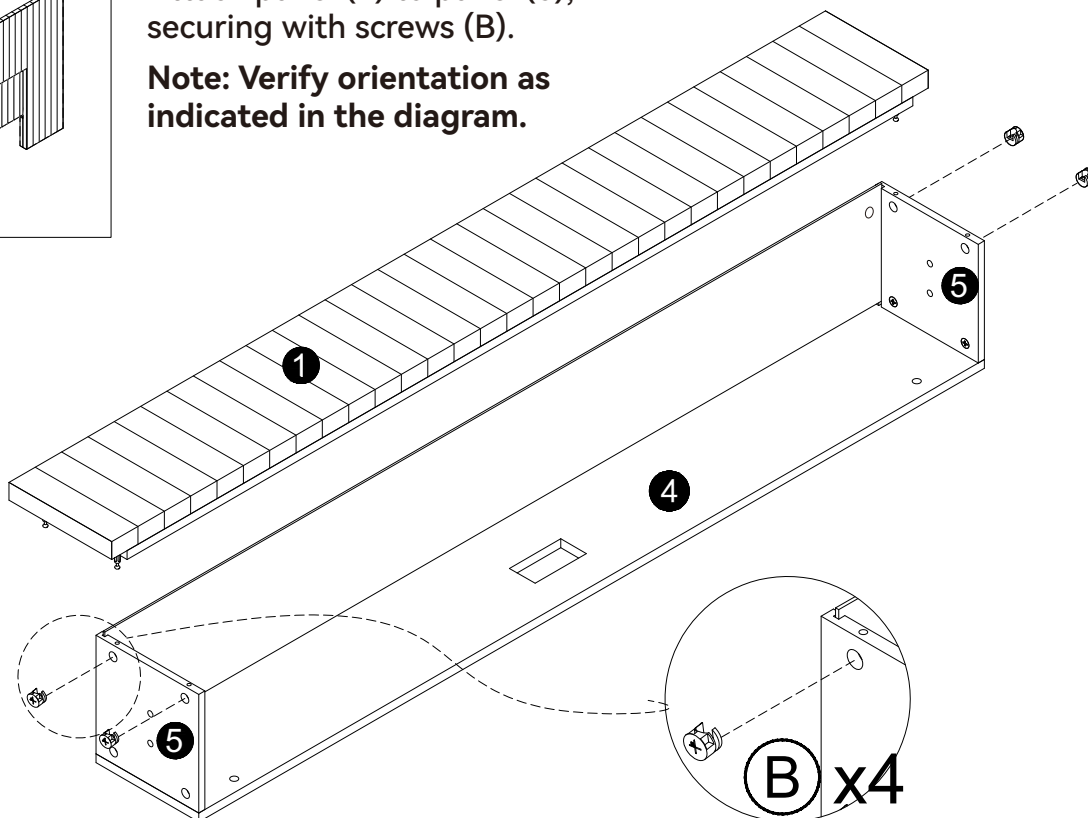
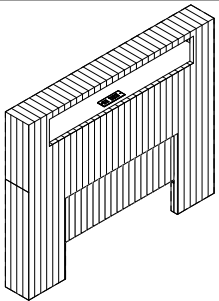


## Headboard Section

### Step 12

Attach panel (1) to panel (5), securing with screws (B).

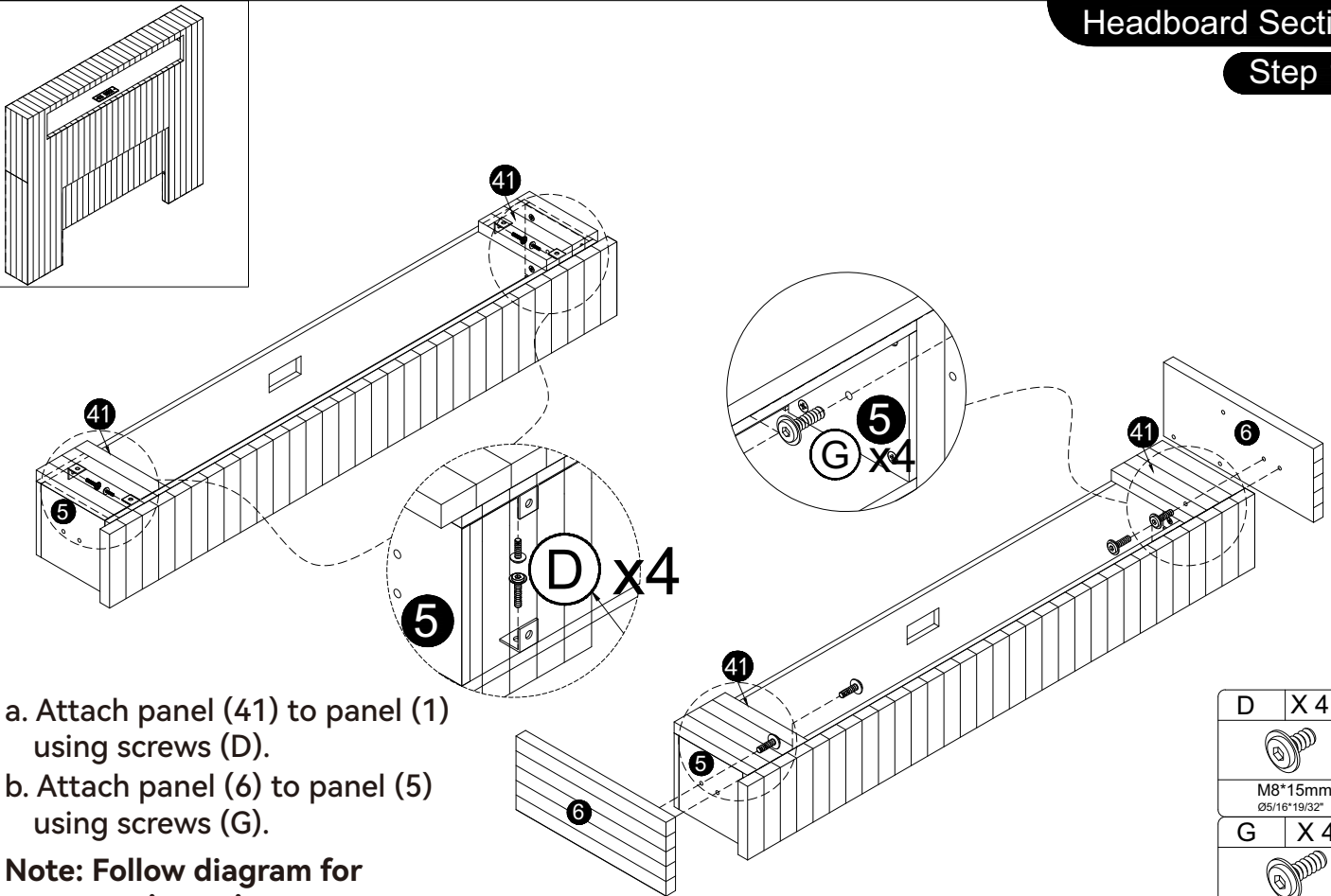
**Note: Verify orientation as indicated in the diagram.**



# ASSEMBLY INSTRUCTIONS


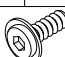
## Headboard Section

### Step 13



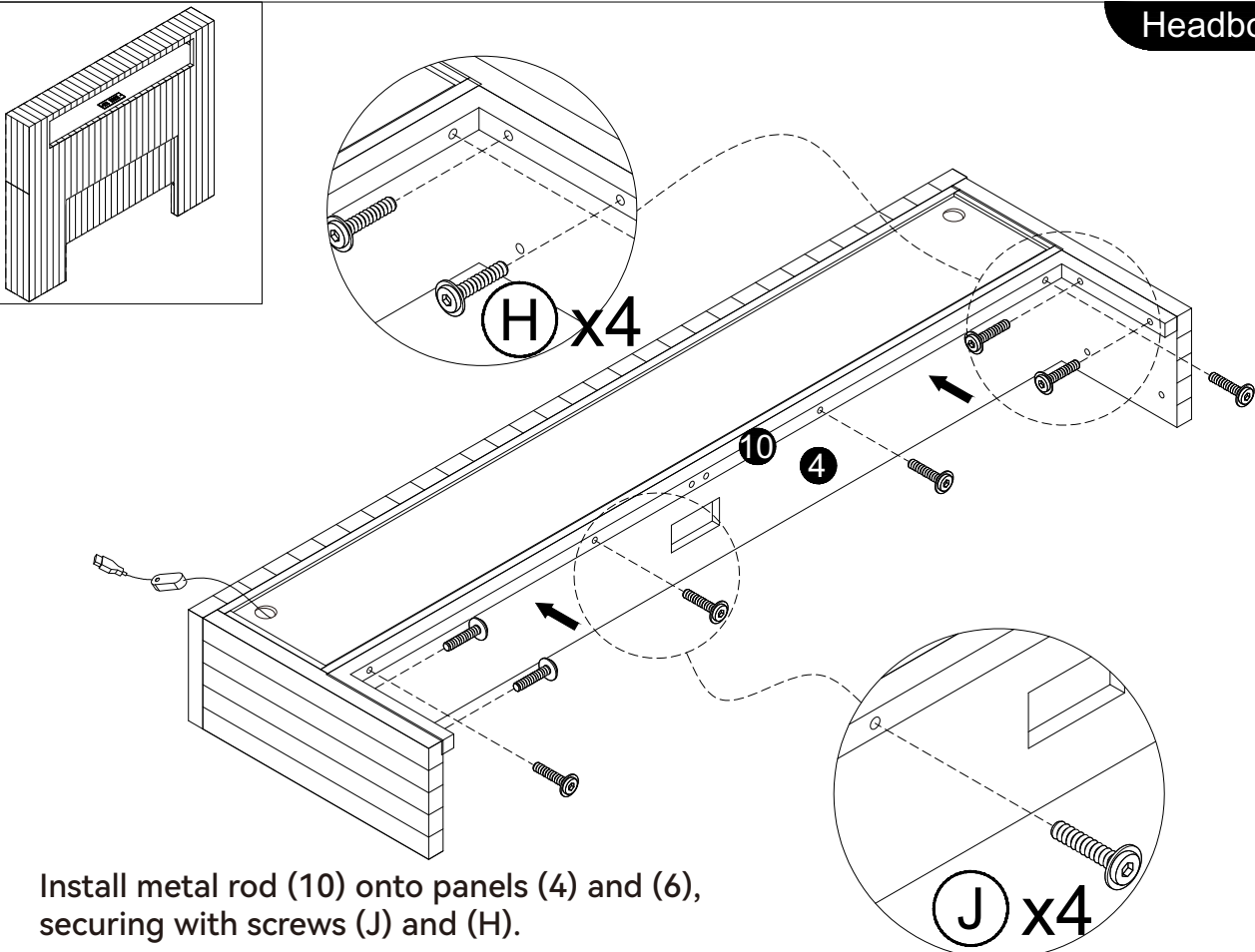
- a. Attach panel (41) to panel (1) using screws (D).
- b. Attach panel (6) to panel (5) using screws (G).

**Note: Follow diagram for correct orientation.**

D	X 4
	
M8*15mm Ø5/16*19/32"	
G	X 4
	
M8*25mm Ø5/16*1-63/64"	



## Headboard Section

### Step 14



Install metal rod (10) onto panels (4) and (6), securing with screws (J) and (H).

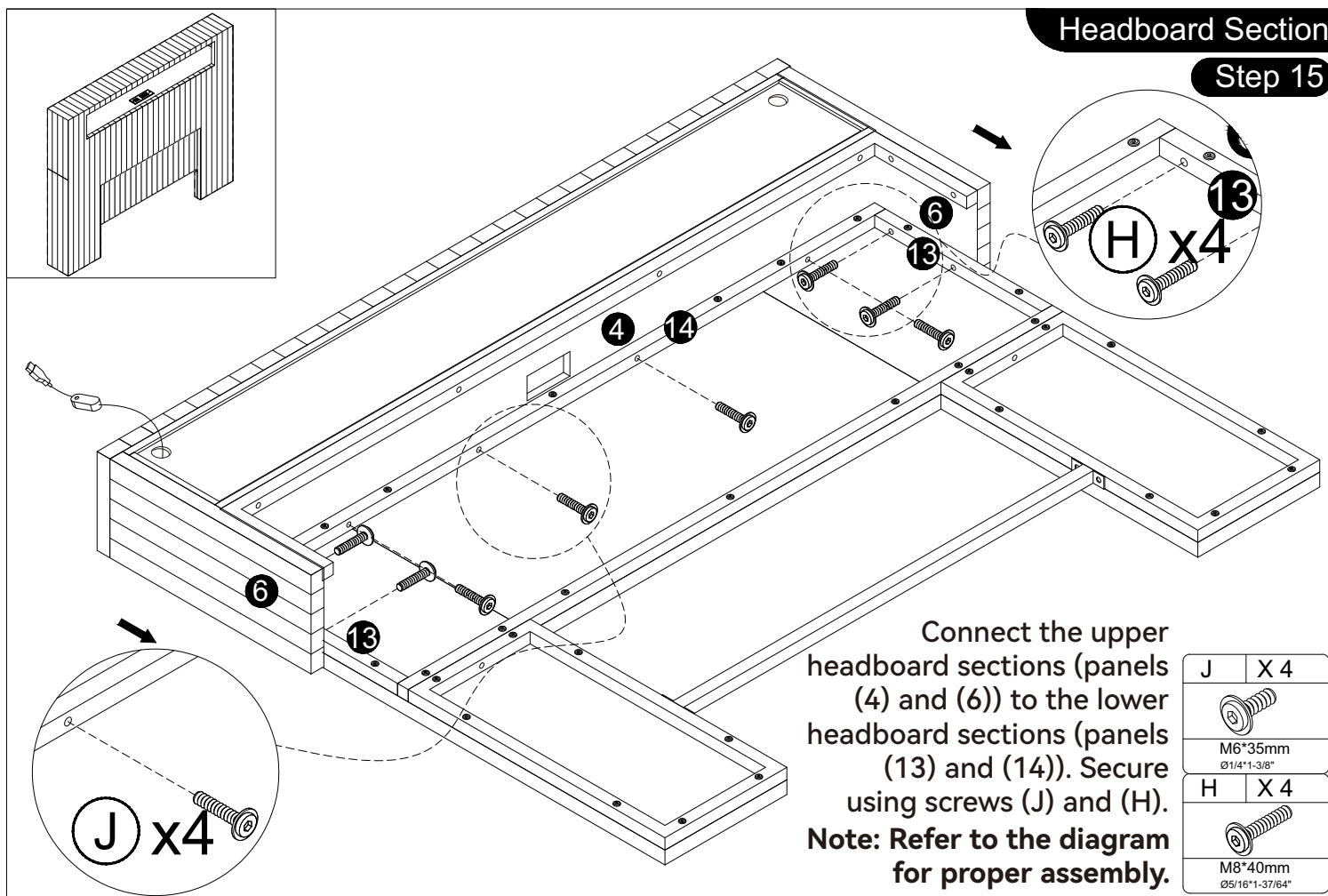
**Note: Follow the orientation in the diagram.**

J	X 4
	
M6*35mm Ø1/4*1-3/8"	
H	X 4
	
M8*40mm Ø5/16*1-37/64"	



# ASSEMBLY INSTRUCTIONS

## Headboard Section

### Step 15

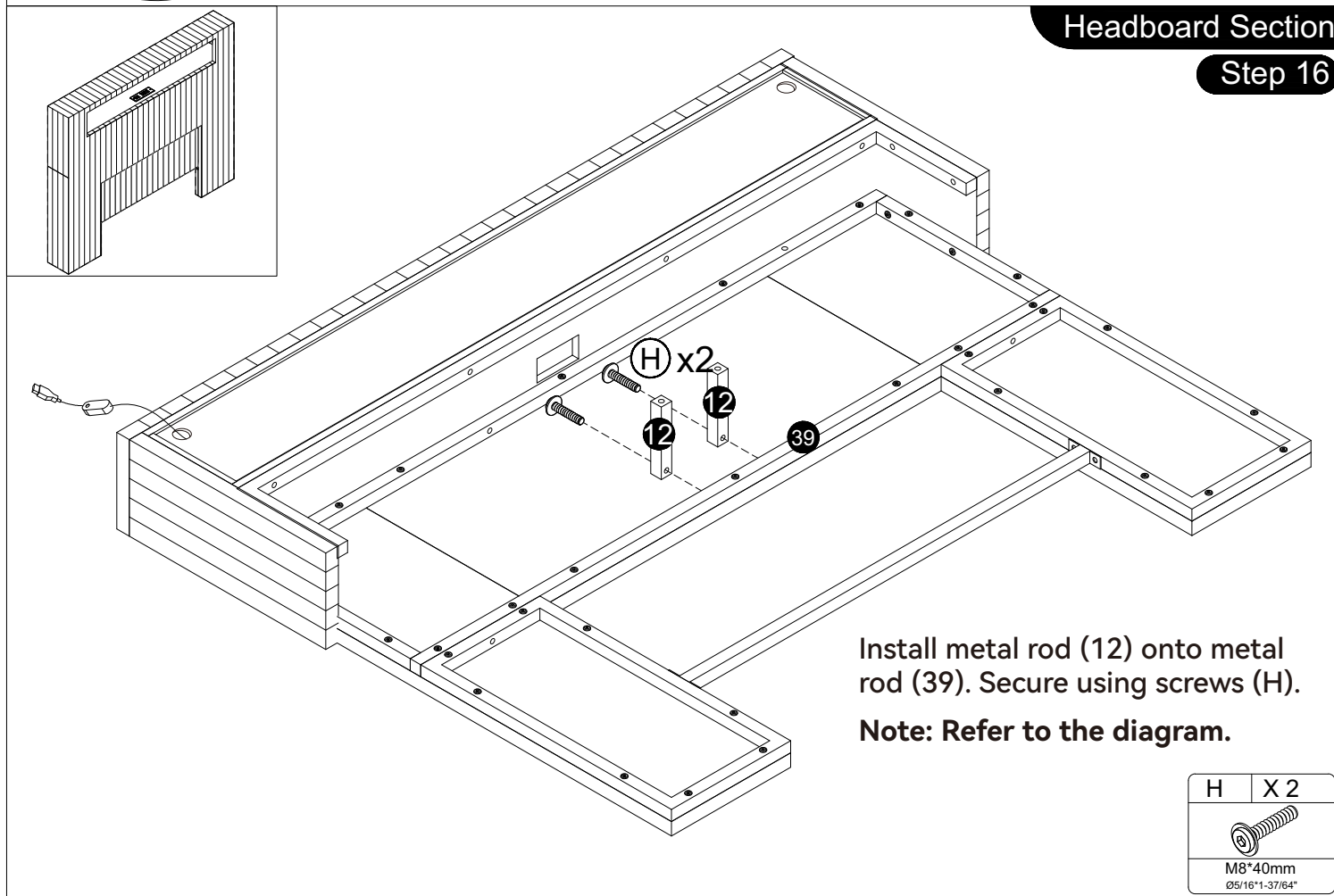


Connect the upper headboard sections (panels (4) and (6)) to the lower headboard sections (panels (13) and (14)). Secure using screws (J) and (H).  
**Note: Refer to the diagram for proper assembly.**


J	X 4
	
M6*35mm Ø1/4*1-3/8"	
H	X 4
	
M8*40mm Ø5/16*1-37/64"	

## Headboard Section

### Step 16



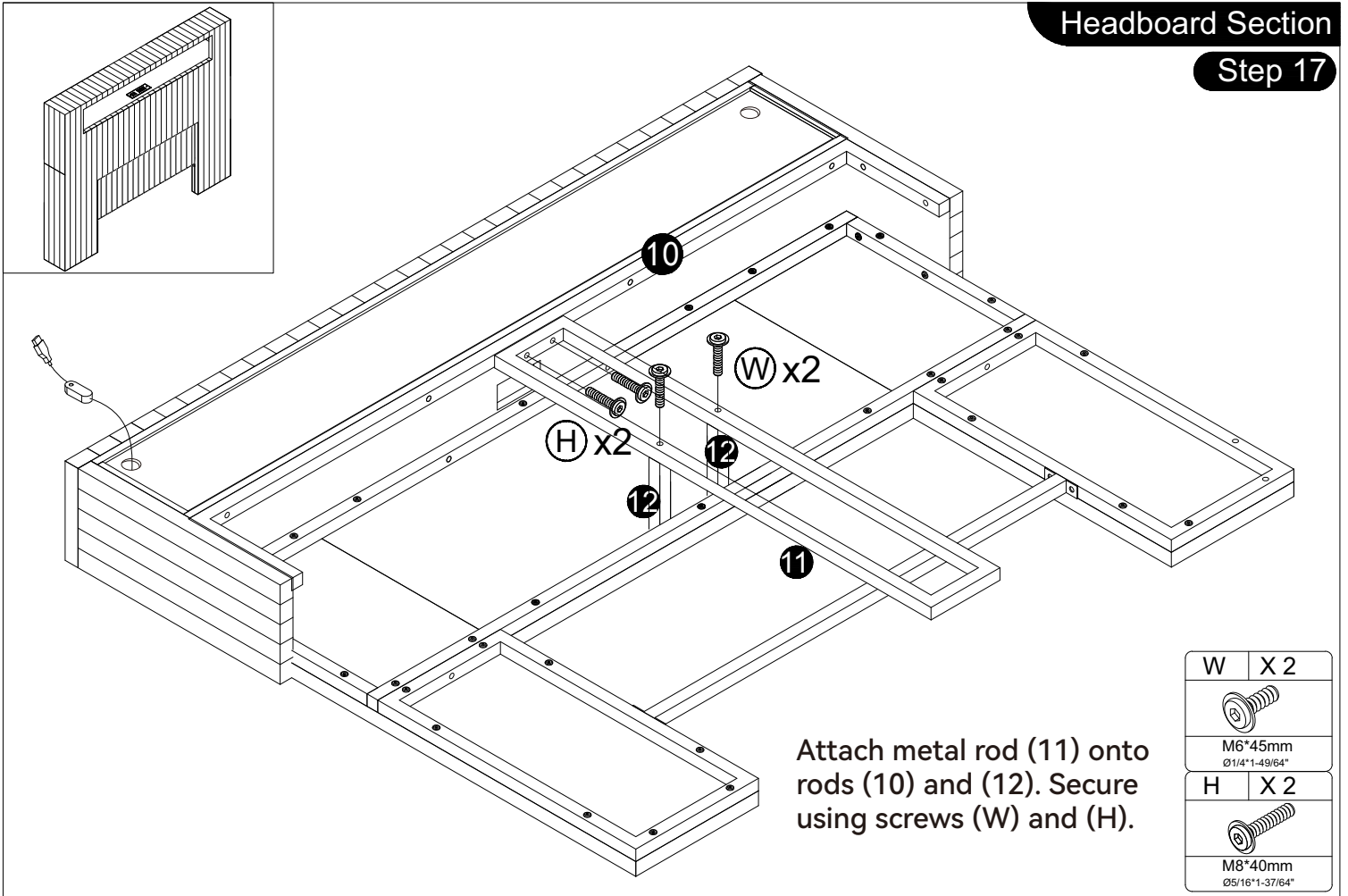
Install metal rod (12) onto metal rod (39). Secure using screws (H).  
**Note: Refer to the diagram.**

H	X 2
	
M8*40mm Ø5/16*1-37/64"	

# ASSEMBLY INSTRUCTIONS

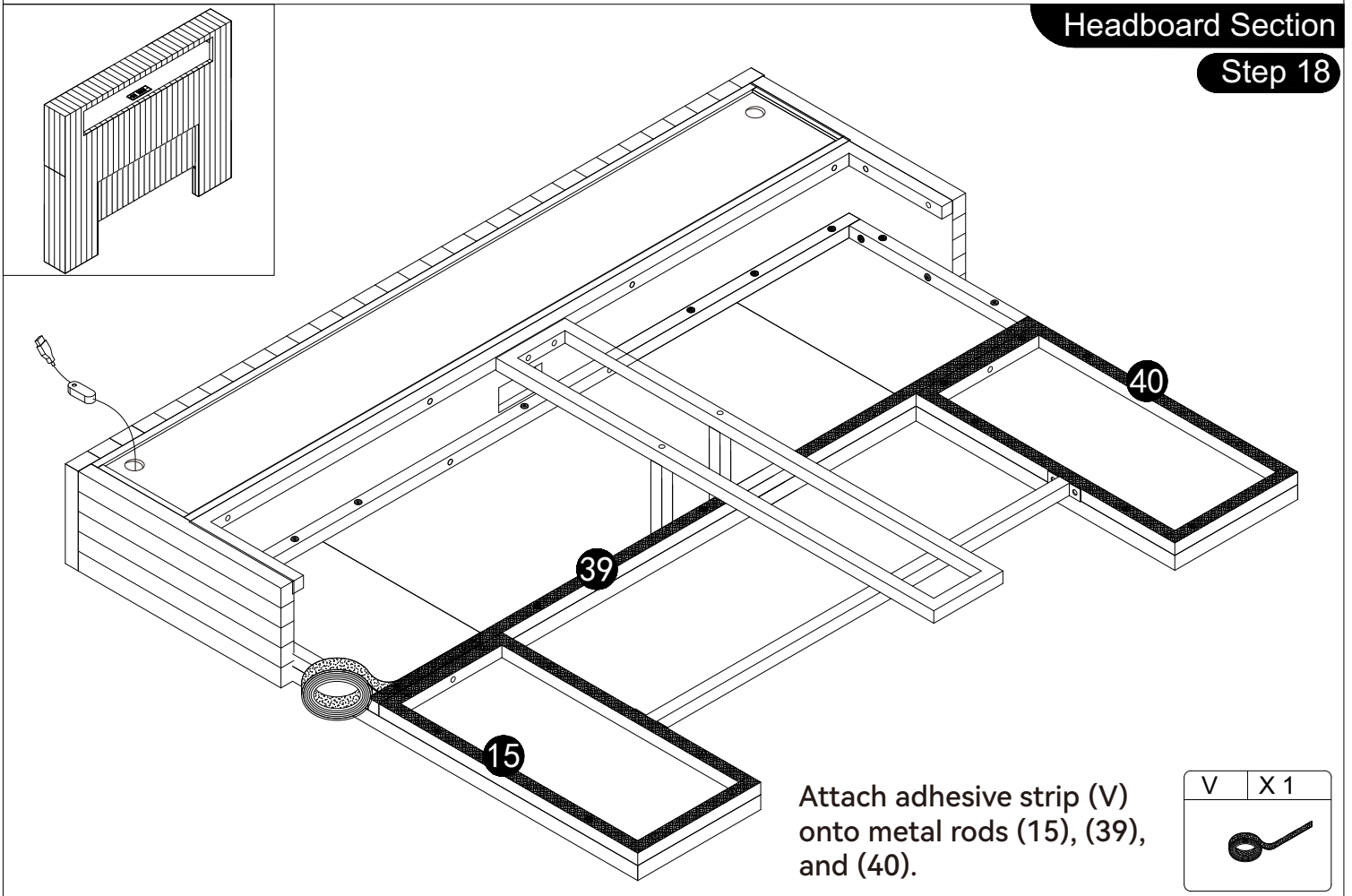
## Headboard Section

### Step 17



## Headboard Section

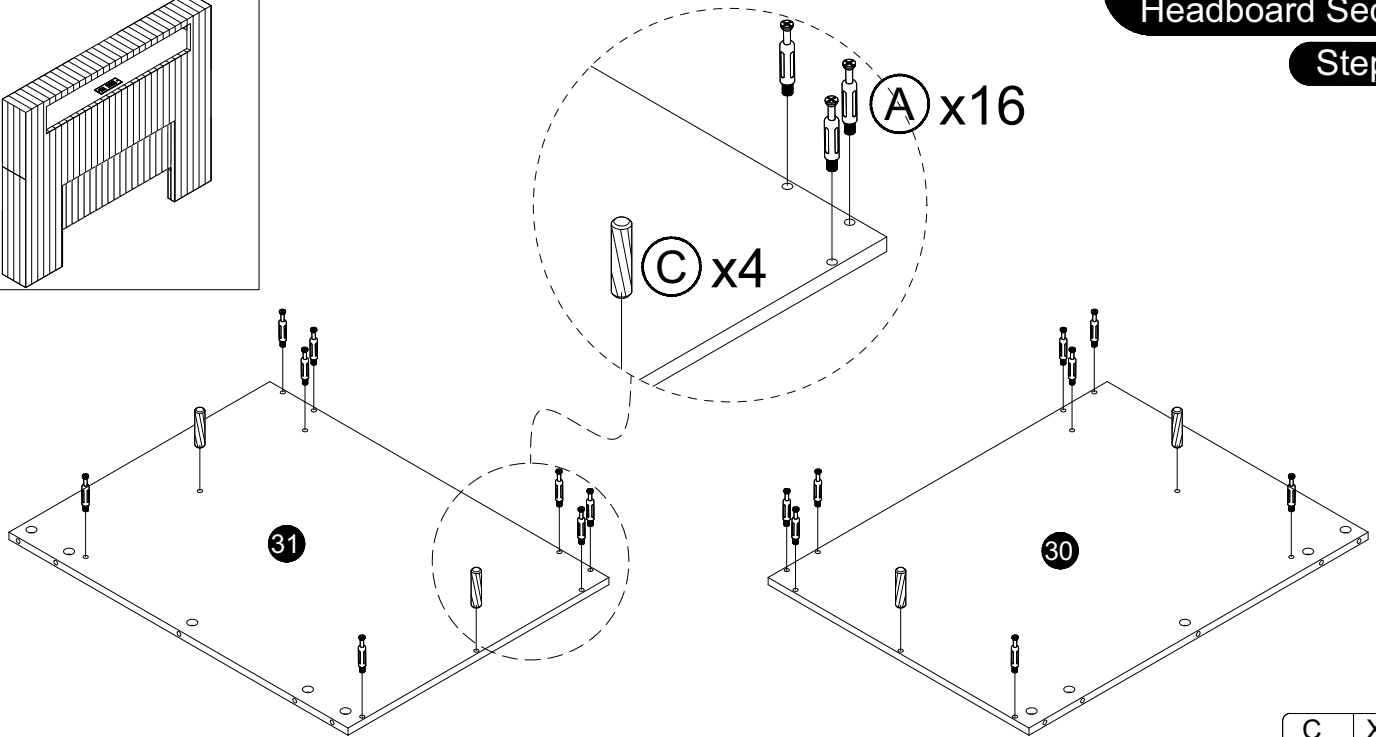
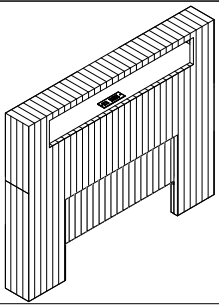
### Step 18





# ASSEMBLY INSTRUCTIONS

## Headboard Section

### Step 19

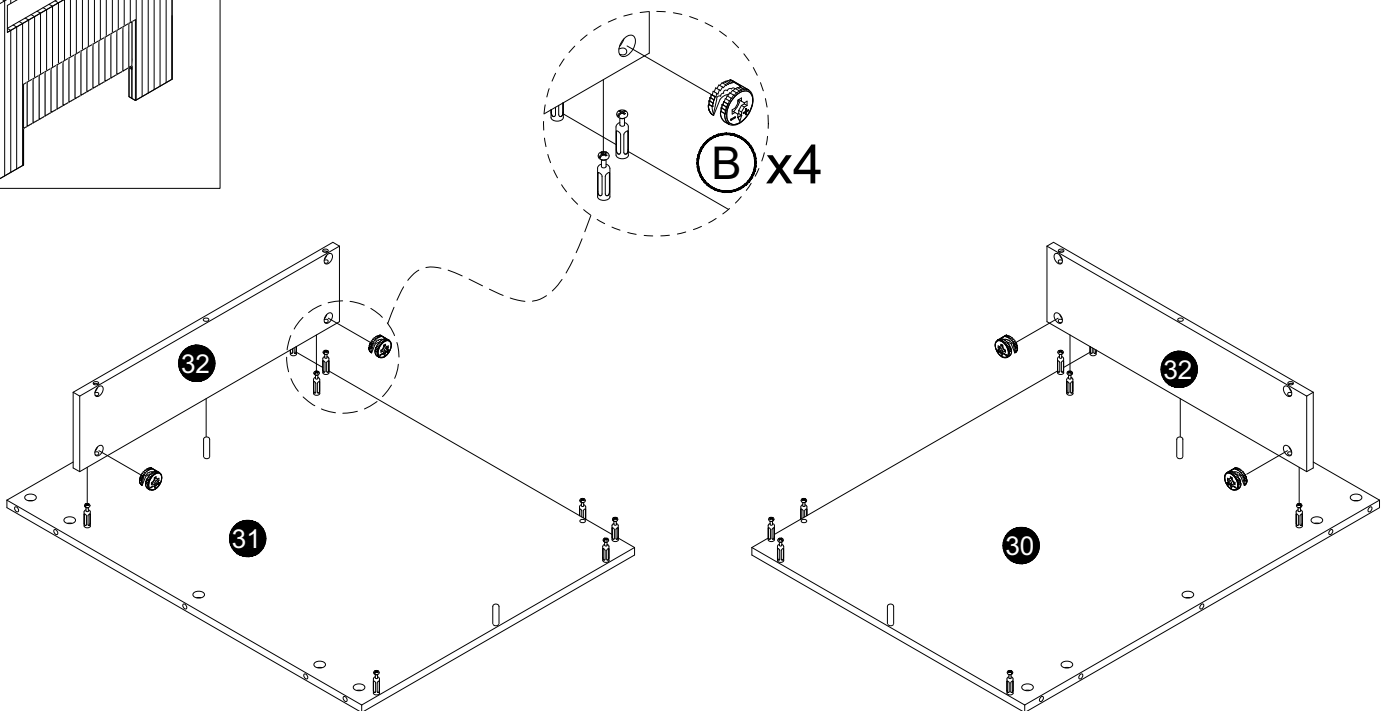
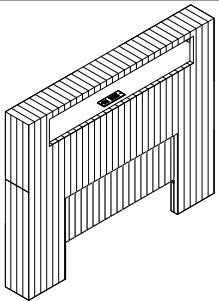


Attach components (A) and (C) to panels (30) and (31). Secure using screws (O).


C	X 4
	
Ø6*30mm Ø1/4*1-3/16"	
A	X 16
	
Ø7*40mm Ø9/32*1-37/64"	

## Headboard Section

### Step 20



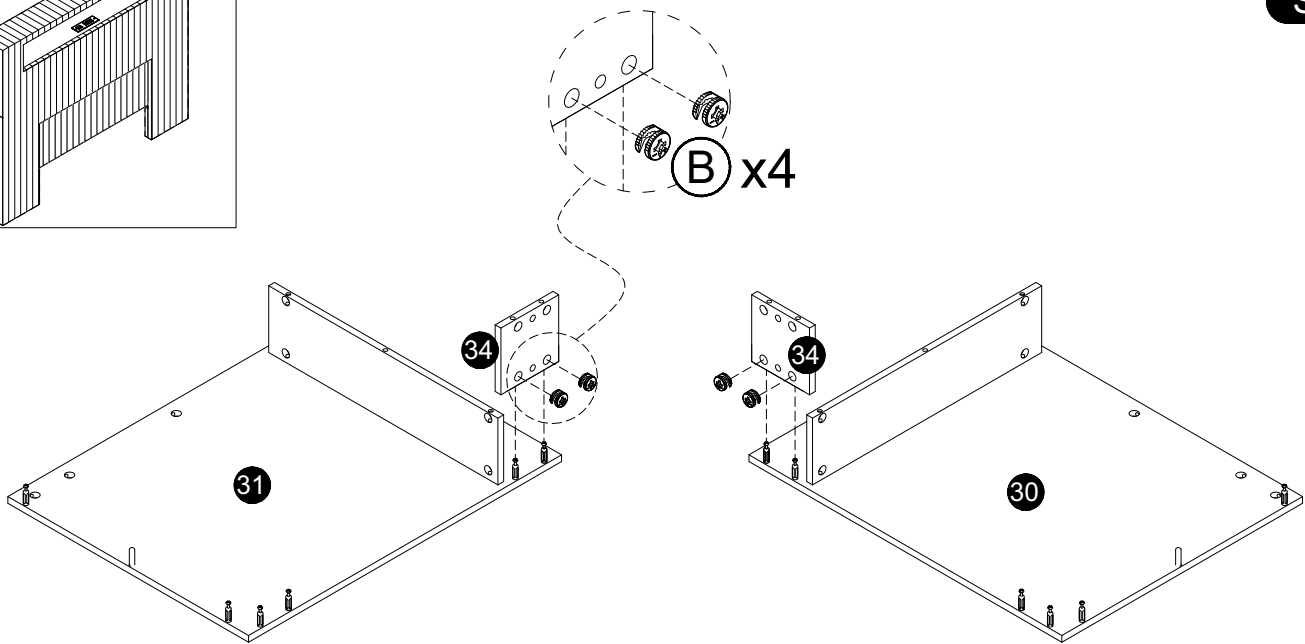
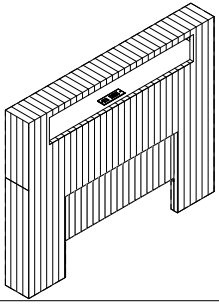
Install panel (32) onto panels (30) and (31). Secure using screws (B).

B	X 4
	
Ø15*10mm Ø19/32*25/64"	

# ASSEMBLY INSTRUCTIONS

## Headboard Section

### Step 21

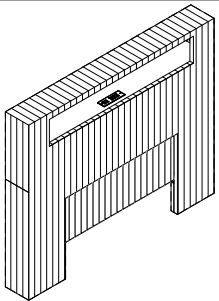


Attach panel (34) onto panels (30) and (31).  
Secure using screws (B).

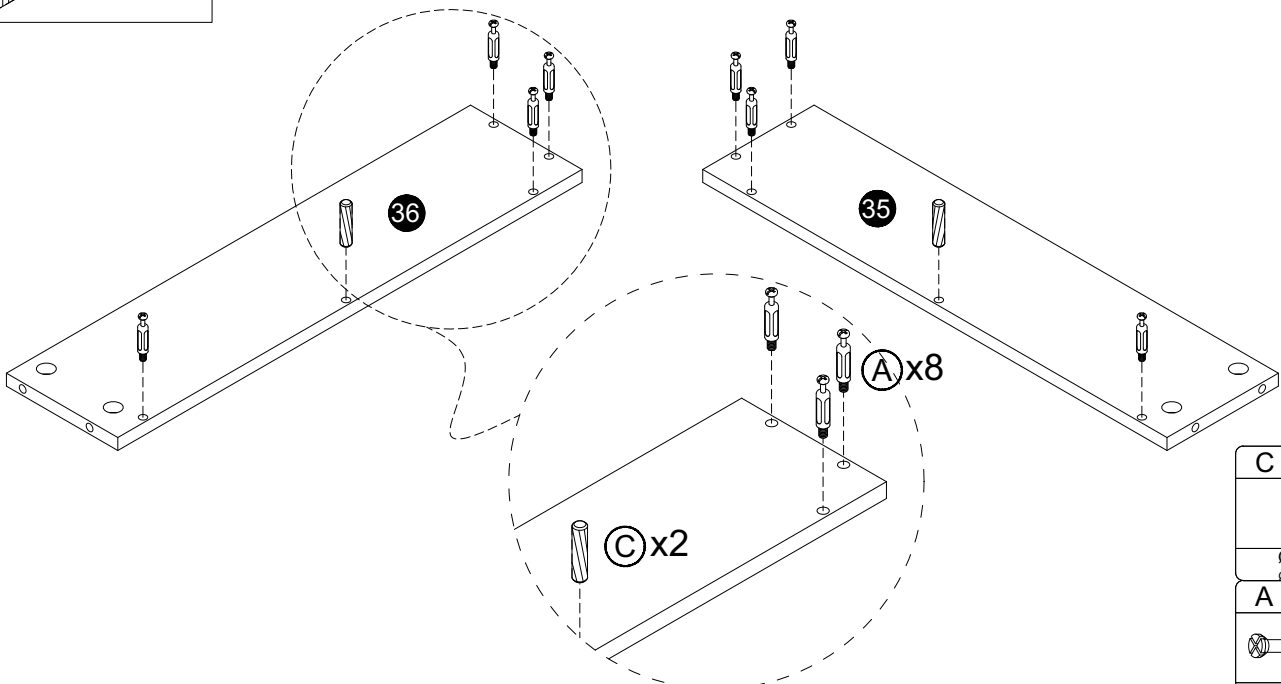
B	X 4
<small>Ø15*10mm Ø19/32*25/64"</small>	

## Headboard Section

### Step 22



Attach components (A) and (C) onto panels (35) and (36). Secure using screws (O).

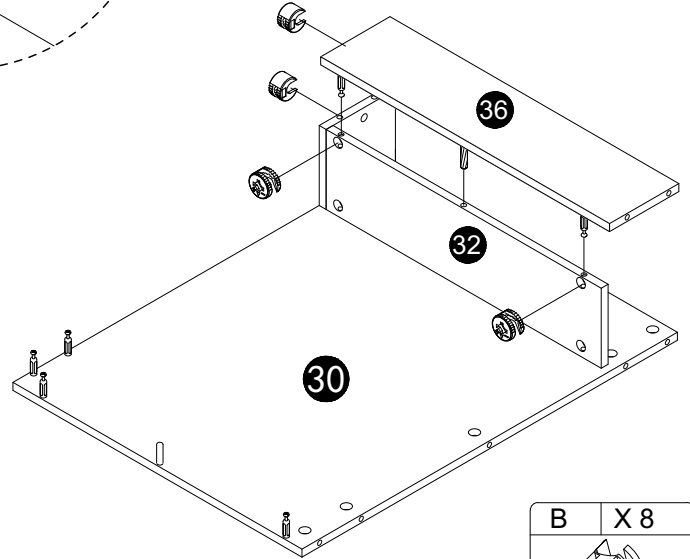
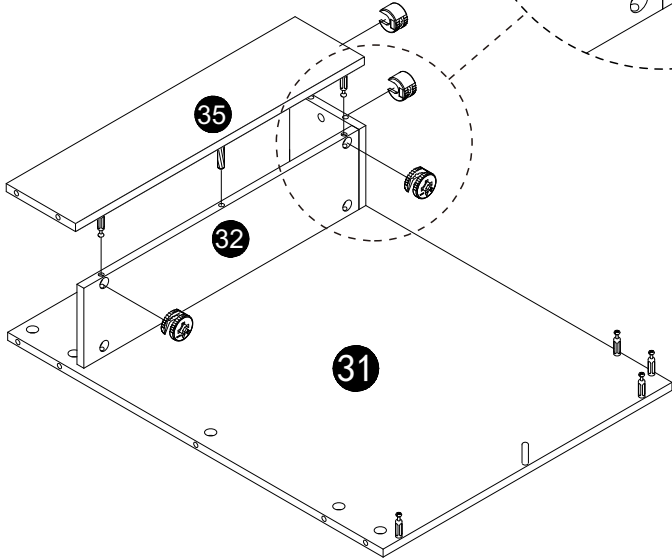
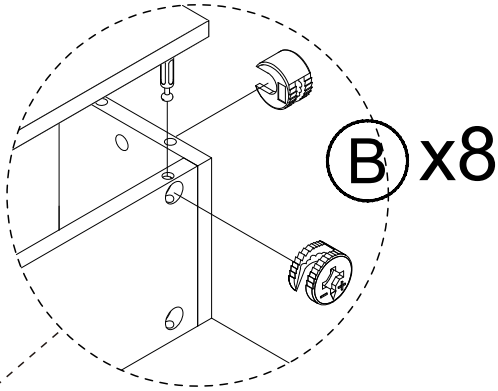
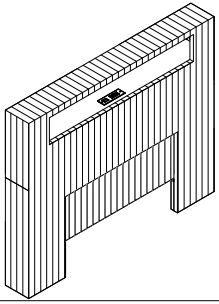


C	X 2
<small>Ø6*30mm Ø1/4*1-3/16"</small>	
A	X 8
<small>Ø7*40mm Ø9/32*1-37/64"</small>	

# ASSEMBLY INSTRUCTIONS

## Headboard Section

### Step 23

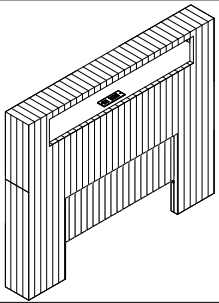


Attach panels (35) and (36) onto panels (32) and (34). Secure using screws (B).

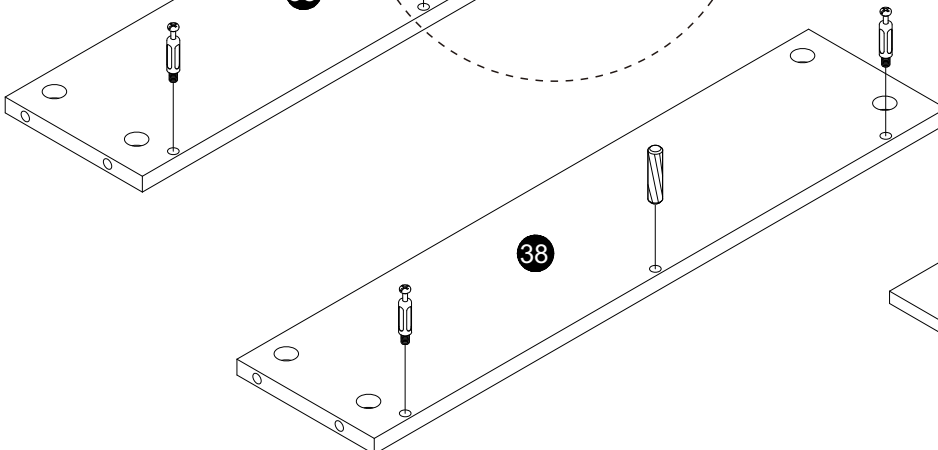
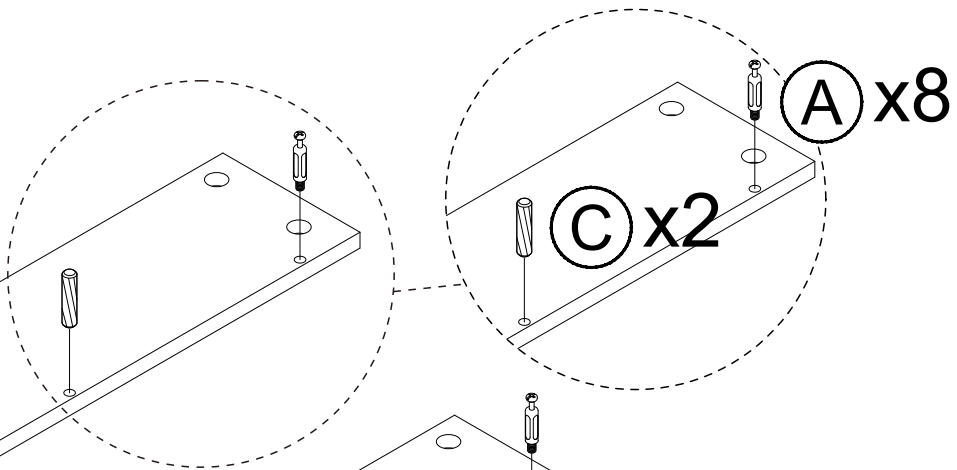
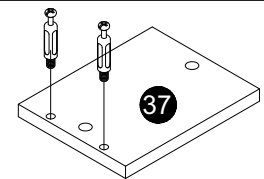
B	X 8
Ø15*10mm Ø19/32*25/64"	

## Headboard Section

### Step 24



Attach components (A) and (C) onto panels (37) and (38). Secure with screws (O).



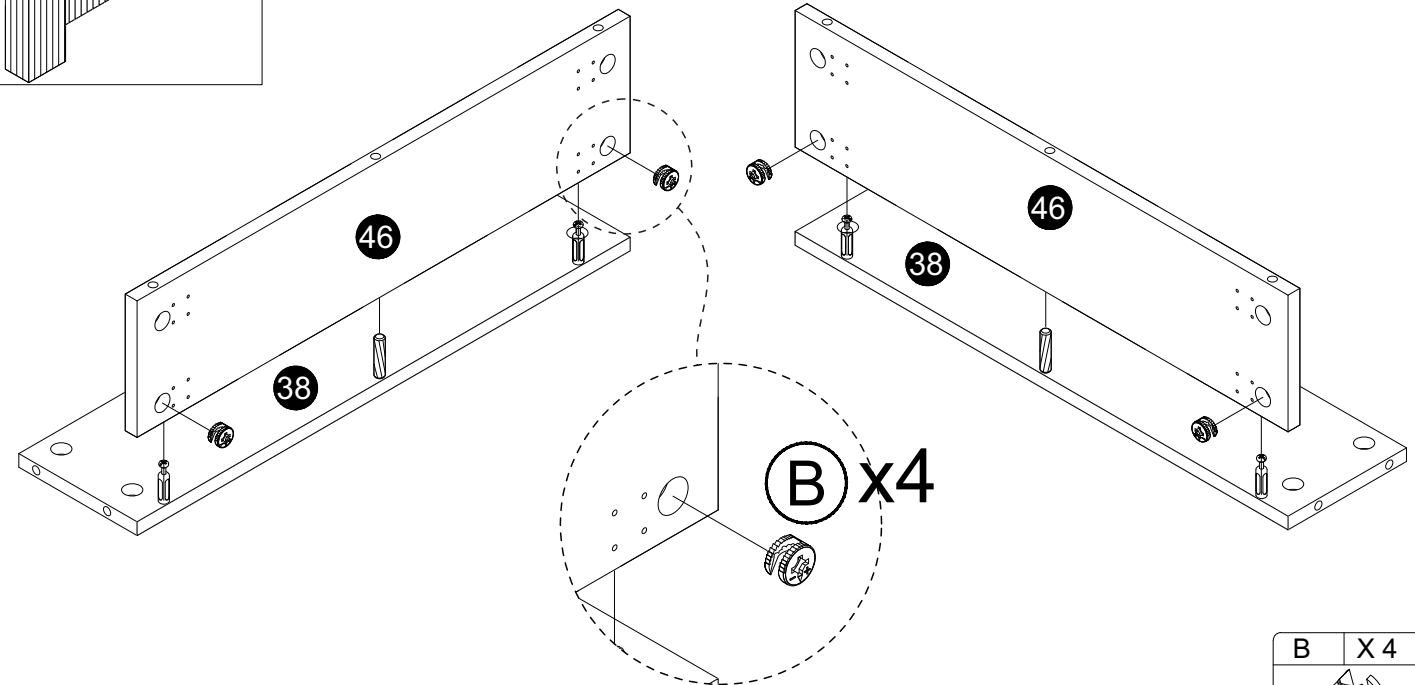
C	X 2
Ø6*30mm Ø1/4*1-3/16"	
A	X 8
Ø7*40mm Ø9/32*1-37/64"	

# ASSEMBLY INSTRUCTIONS

## Headboard Section

### Step 25

Attach panel (46) onto panel (38). Secure using screws (B).

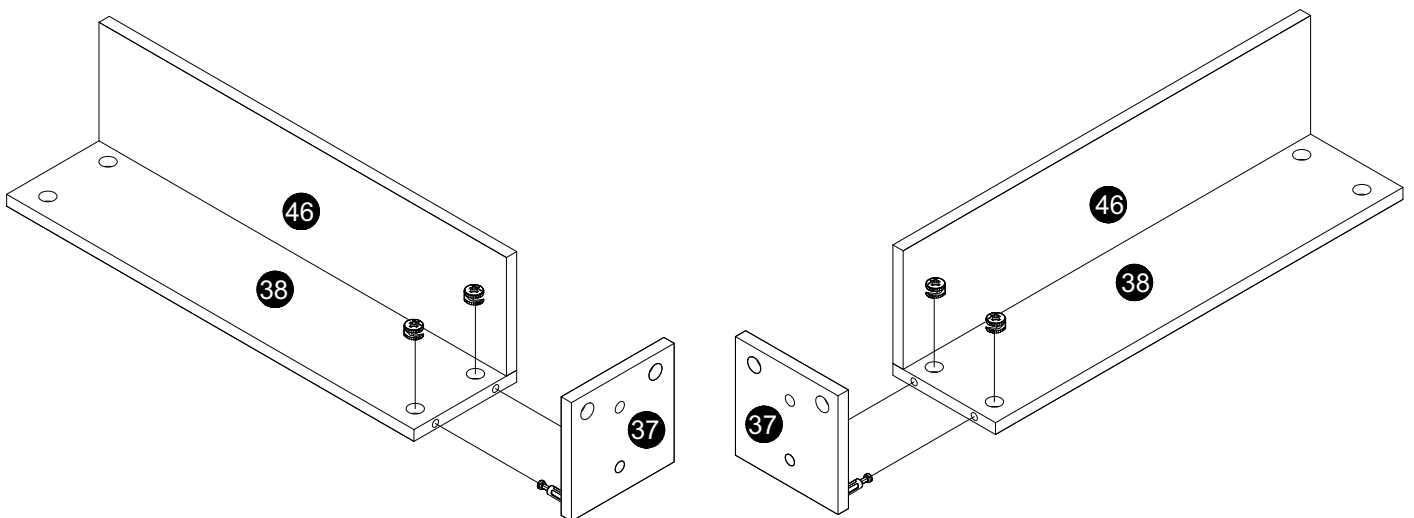


B	X 4
Ø15*10mm Ø19/32*25/64"	

## Headboard Section

### Step 26

Attach panel (37) onto panel (38). Secure using screws (B).

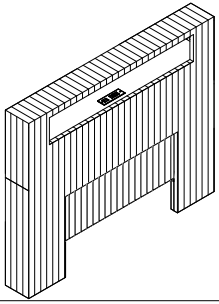


B	X 4
Ø15*10mm Ø19/32*25/64"	

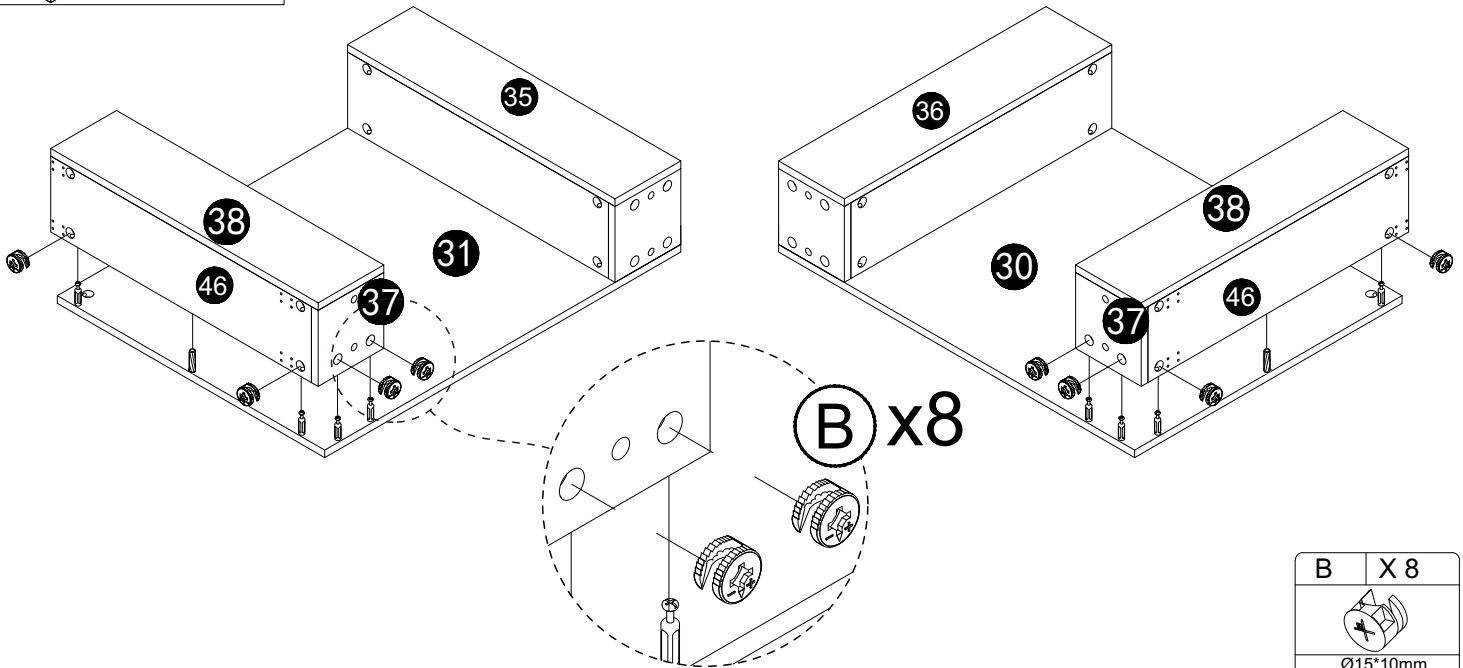
# ASSEMBLY INSTRUCTIONS

## Headboard Section

### Step 27

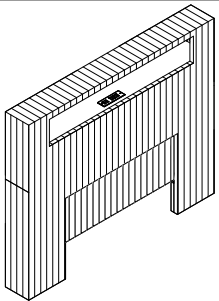


Attach panels (46) and (37) onto panels (30) and (31).  
Secure with screws (B).

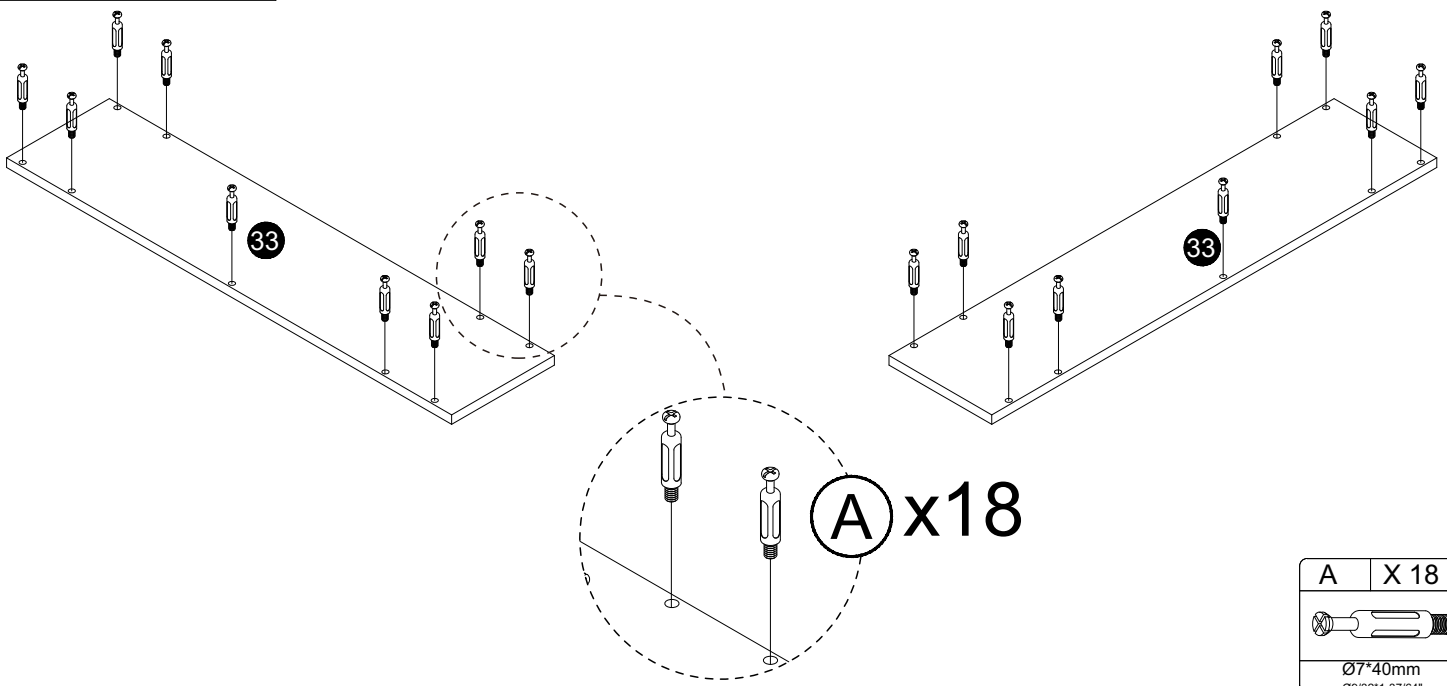


## Headboard Section

### Step 28



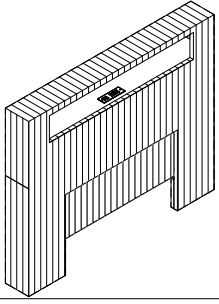
Attach component (A) onto panel (33).



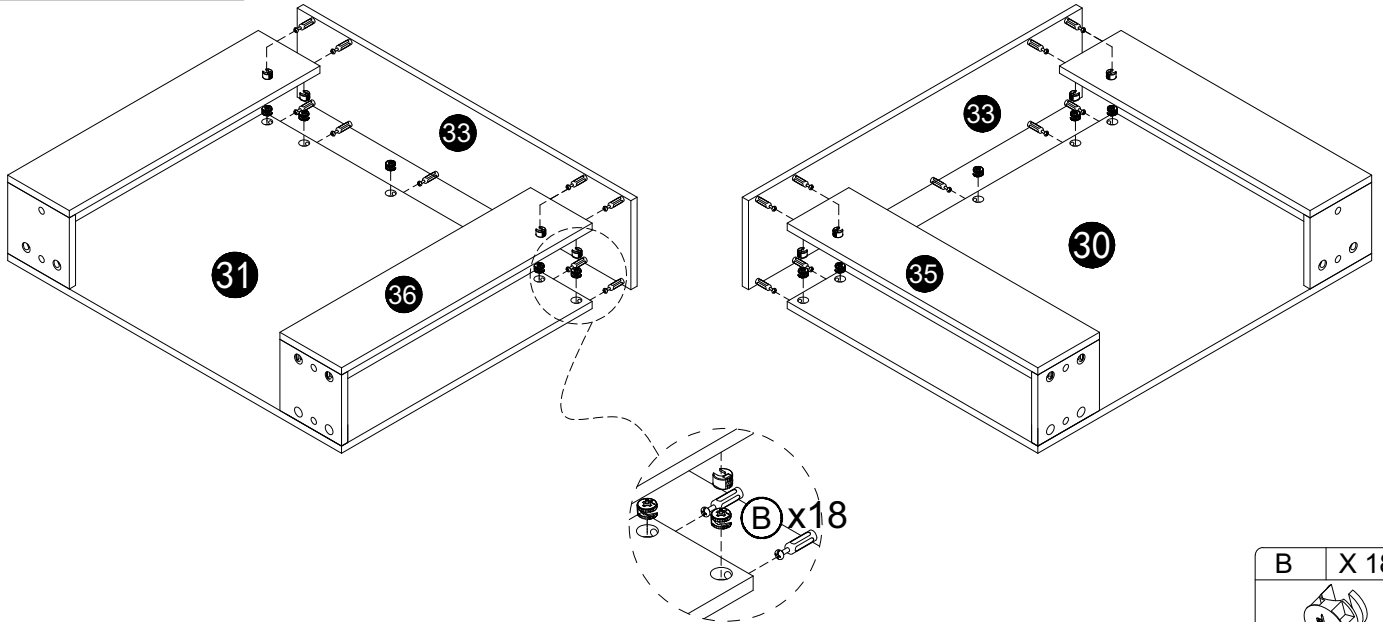
# ASSEMBLY INSTRUCTIONS

## Headboard Section

### Step 29



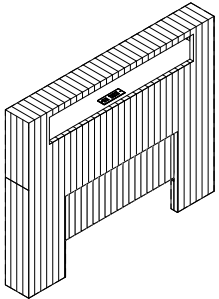
Attach panel (33) onto panels (31), (35), (38), (30), (36), and (38). Secure with screws (B).



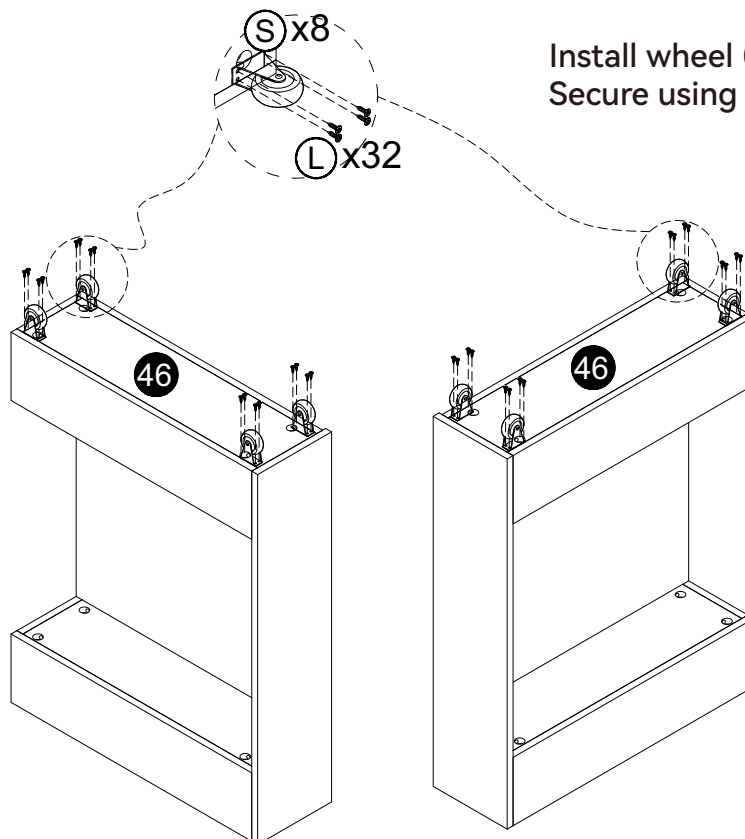
B	X 18
Ø15*10mm Ø19/32*25/64"	

## Headboard Section

### Step 30



Install wheel (S) onto panel (46). Secure using screws (L).



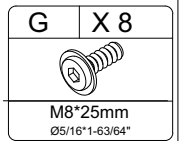
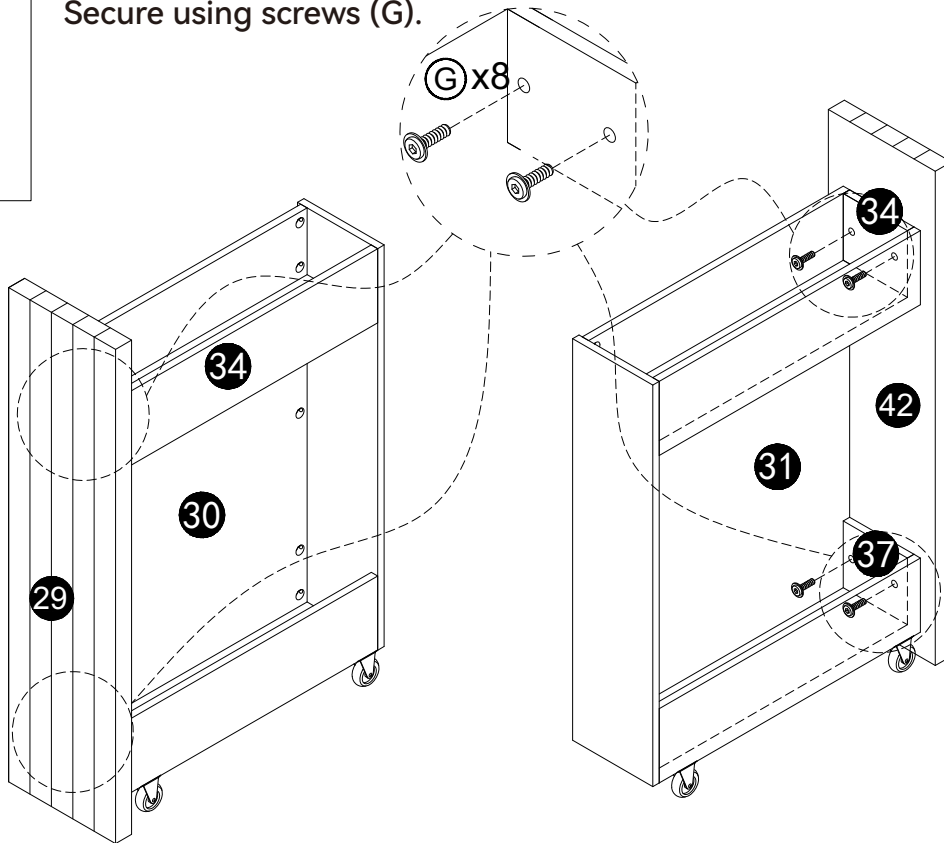
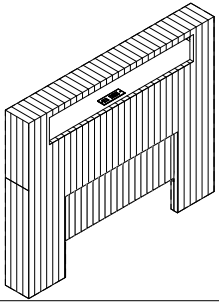
S	X 8
L	X 32
M4*12mm Ø5/32*15/32"	

# ASSEMBLY INSTRUCTIONS

## Headboard Section

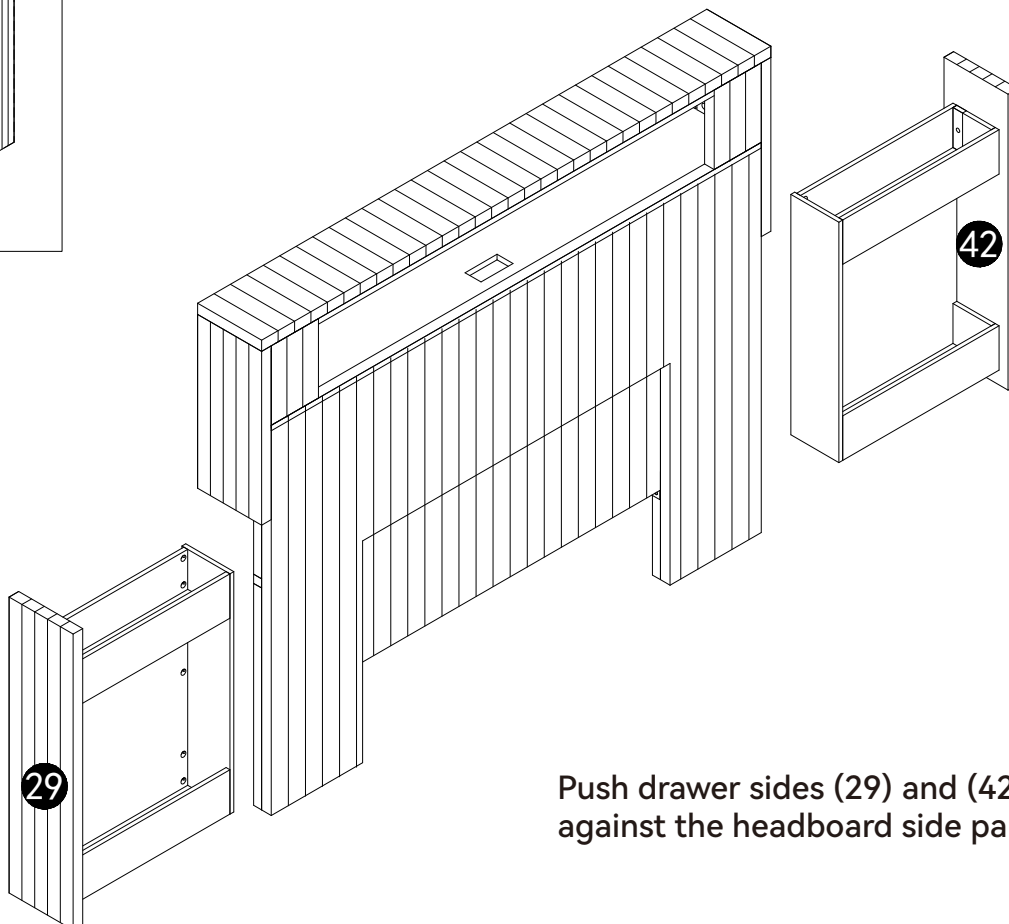
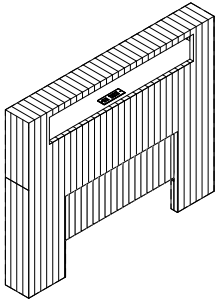
### Step 31

Attach panel (29) onto panels (30), (34), and (37), and panel (42) onto panels (31), (34), and (37). Secure using screws (G).



## Headboard Section

### Step 32

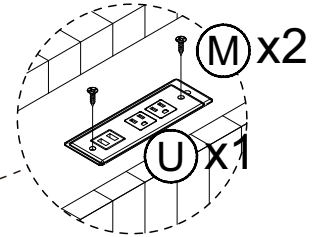
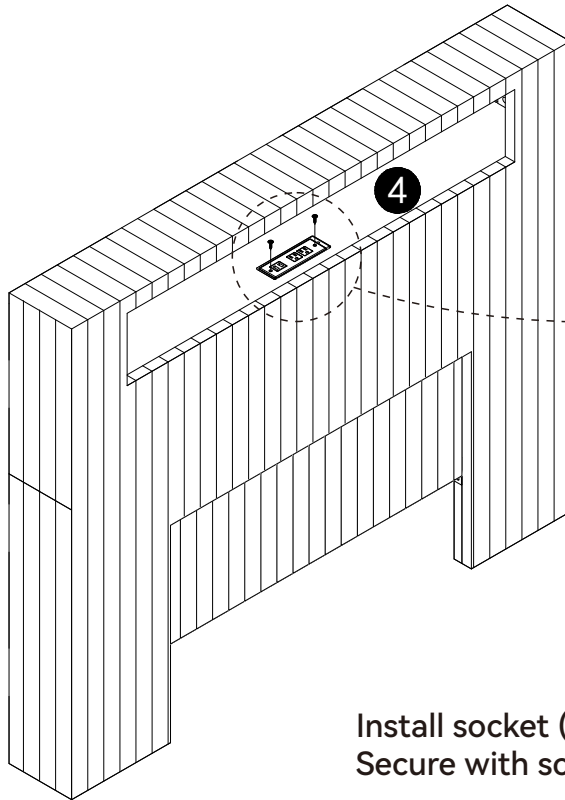
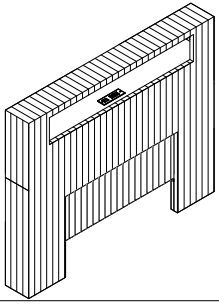


Push drawer sides (29) and (42) flush against the headboard side panel.

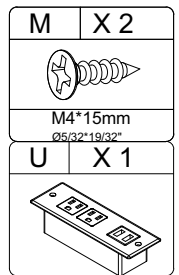
# ASSEMBLY INSTRUCTIONS

Headboard Section

Step 33

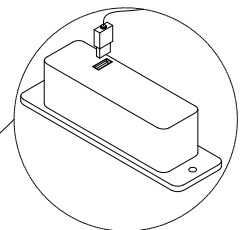
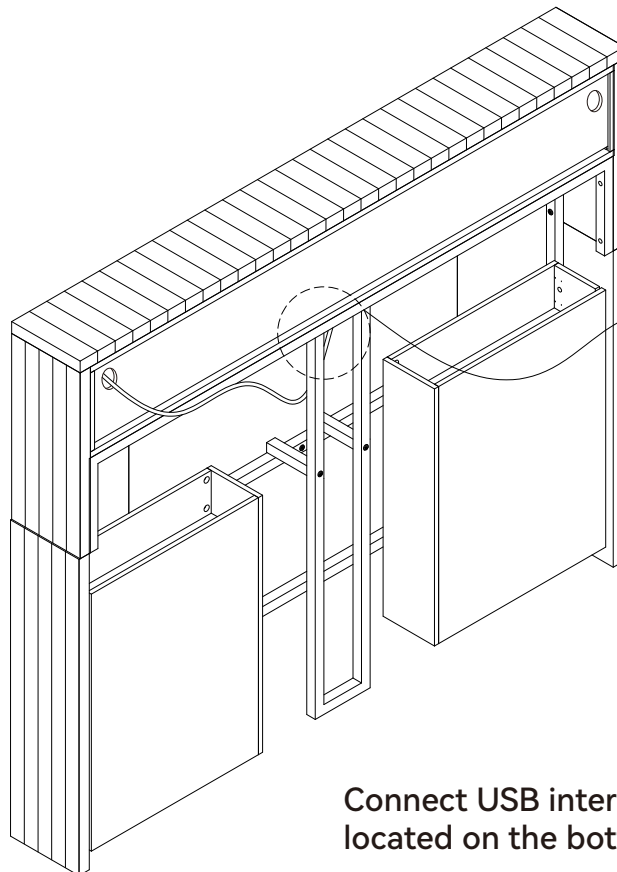
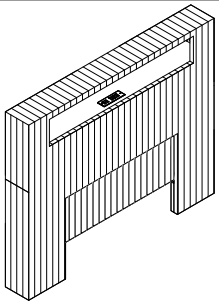


Install socket (U) onto panel (4).  
Secure with screws (M).



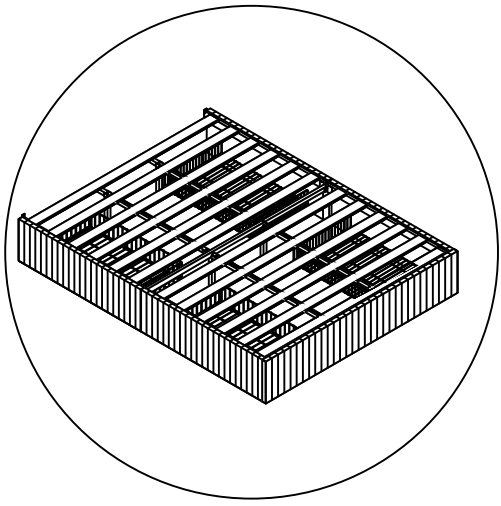
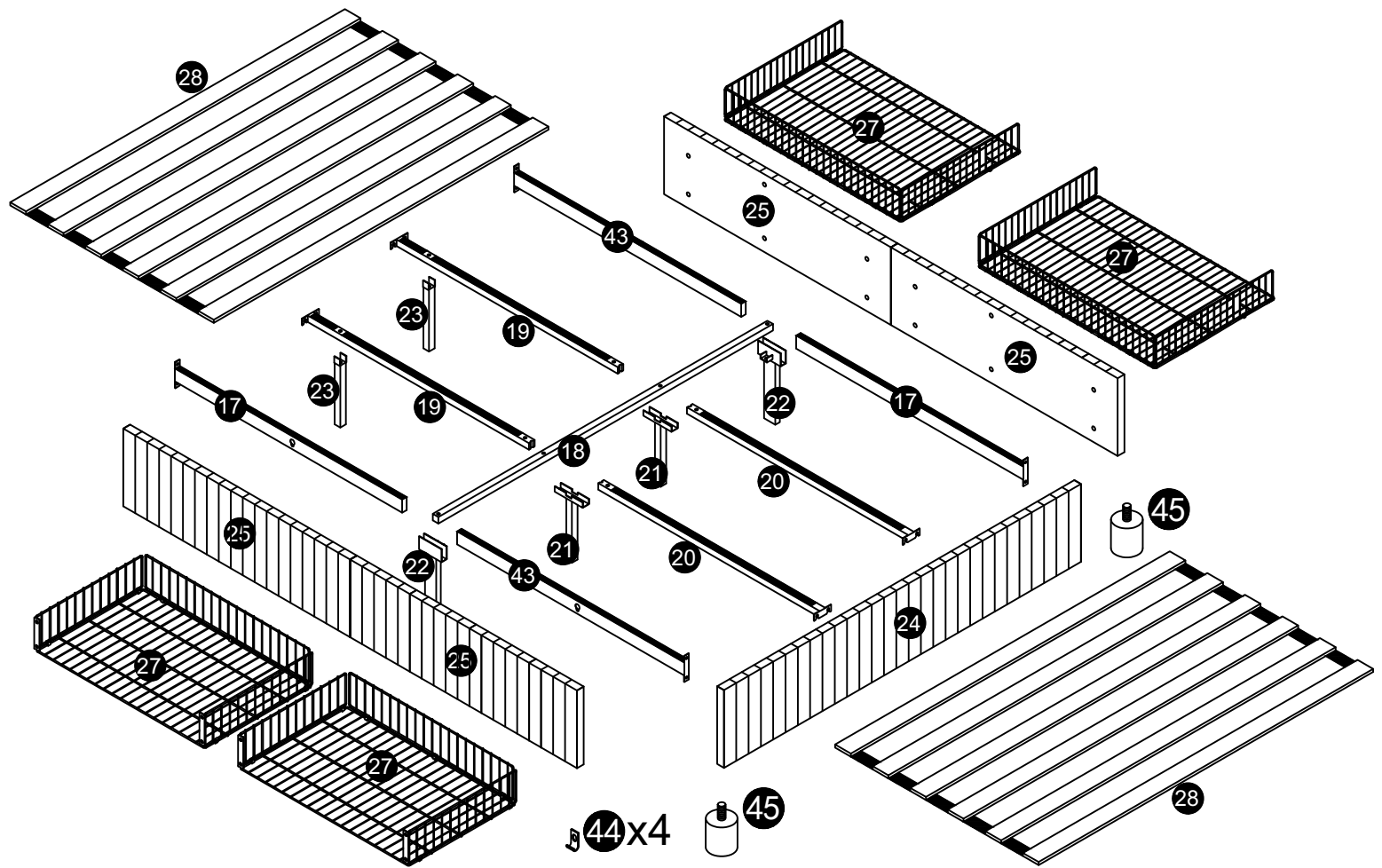
Headboard Section










Step 34



Connect USB interface (P) to the USB port  
located on the bottom of the socket.

## Frame Parts Section



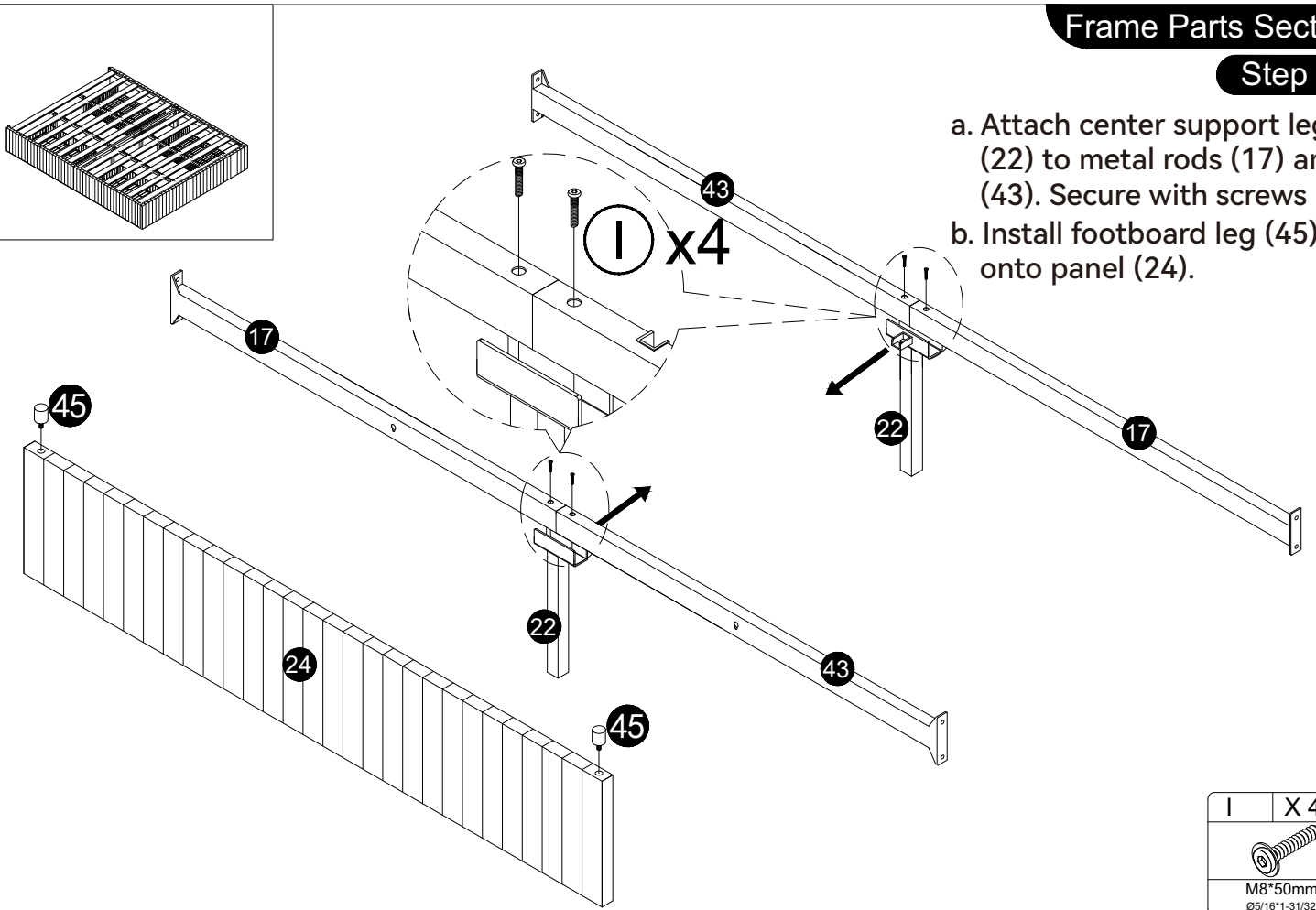
HARDWARE ACCESSORY LIST					
<b>D</b>		M8*15mm Ø5/16*19/32" x20	<b>I</b>		M8*50mm Ø5/16*1-31/32" x6
<b>E</b>		M8*20mm Ø5/16*51/64" x12	<b>N</b>		M4 Ø5/32 x1
<b>F</b>		M8*20mm Ø5/16*51/64" x4	<b>O</b>		M5 Ø13/64 x1
<b>Q</b>		x8	<b>R</b>		x16
<b>H</b>		M8*40mm Ø5/16*1-37/64" x12			

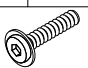
# ASSEMBLY INSTRUCTIONS

## Frame Parts Section

### Step 35

- Attach center support leg (22) to metal rods (17) and (43). Secure with screws (I).
- Install footboard leg (45) onto panel (24).

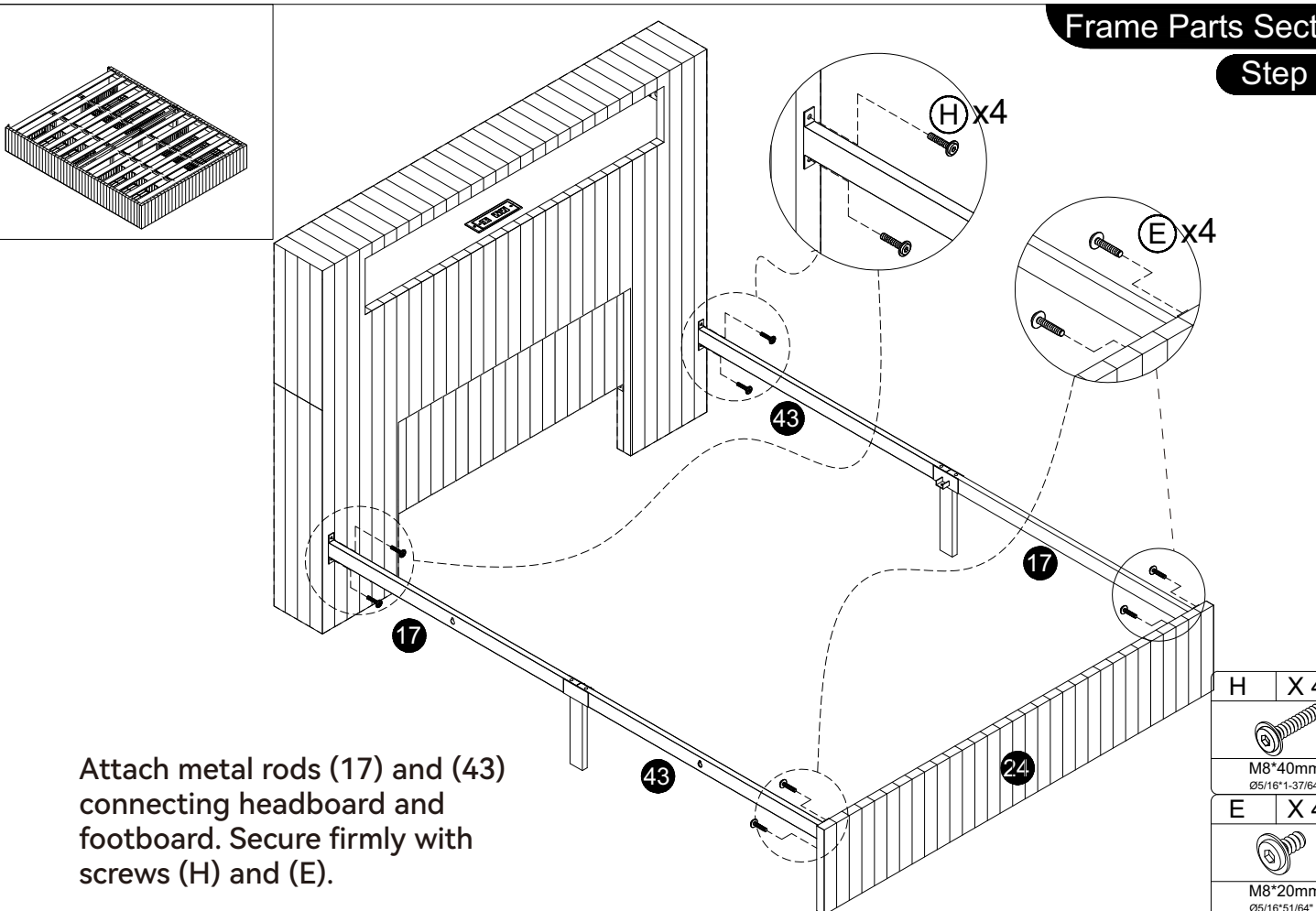


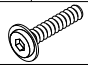

I	X 4
	
M8*50mm Ø5/16*1-31/32"	

## Frame Parts Section

### Step 36

Attach metal rods (17) and (43) connecting headboard and footboard. Secure firmly with screws (H) and (E).

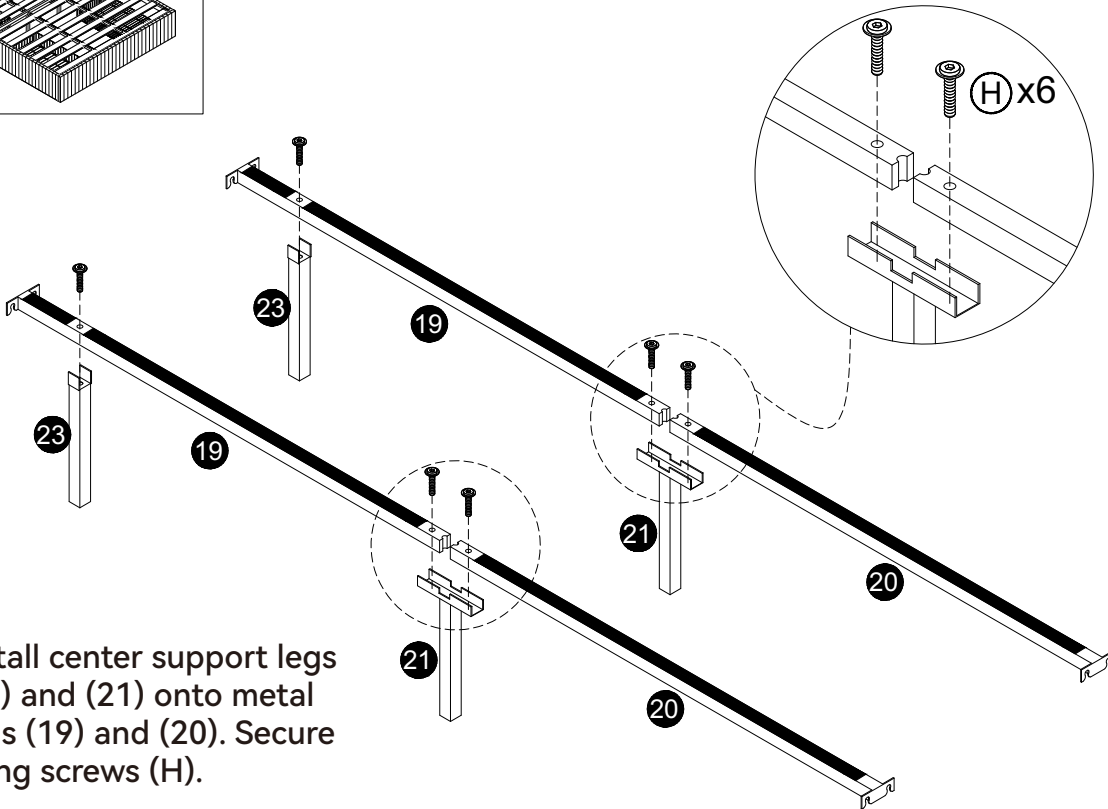
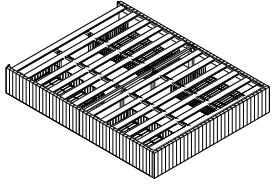


H	X 4
	
M8*40mm Ø5/16*1-37/64"	
E	X 4
	
M8*20mm Ø5/16*5/164"	

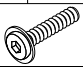
# ASSEMBLY INSTRUCTIONS

## Frame Parts Section

### Step 37

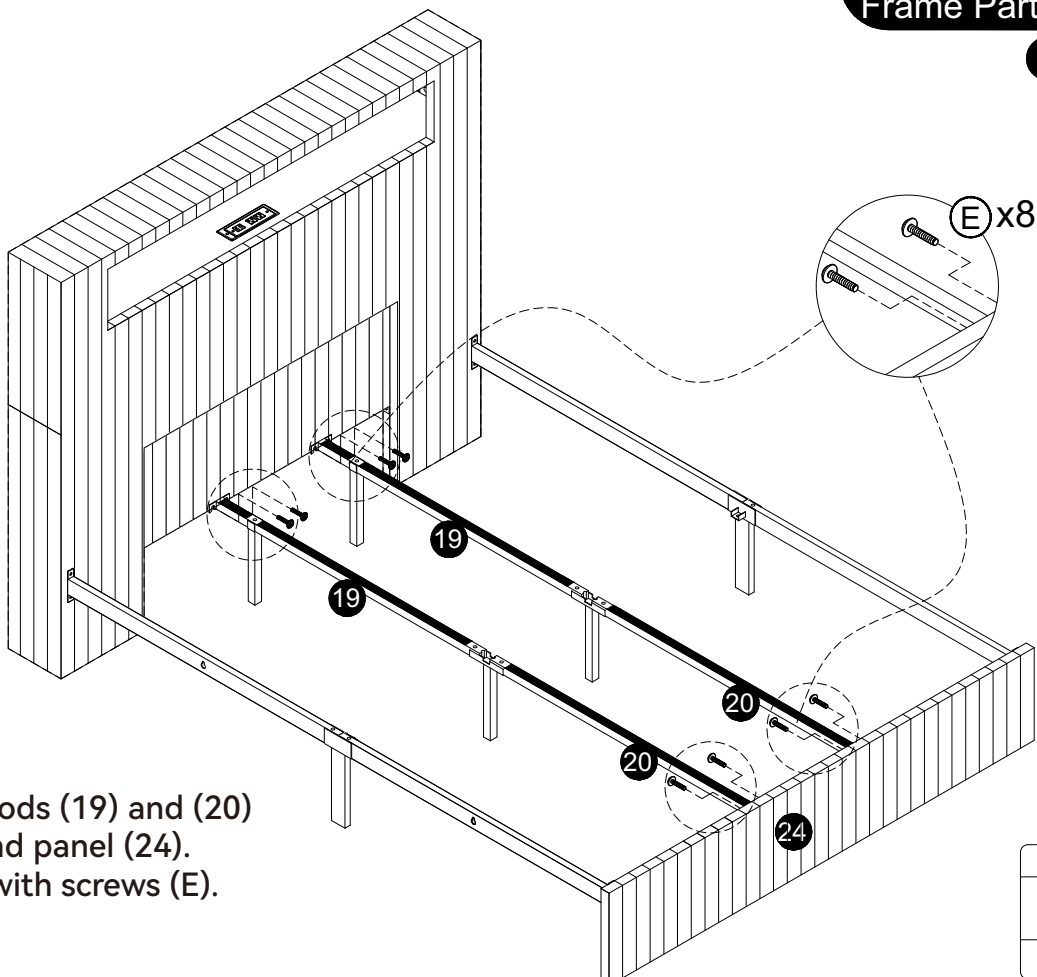
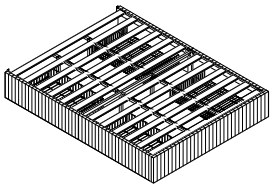


Install center support legs (23) and (21) onto metal rods (19) and (20). Secure using screws (H).

H	X 6
	
M8*40mm Ø5/16"1-37/64"	

## Frame Parts Section

### Step 38



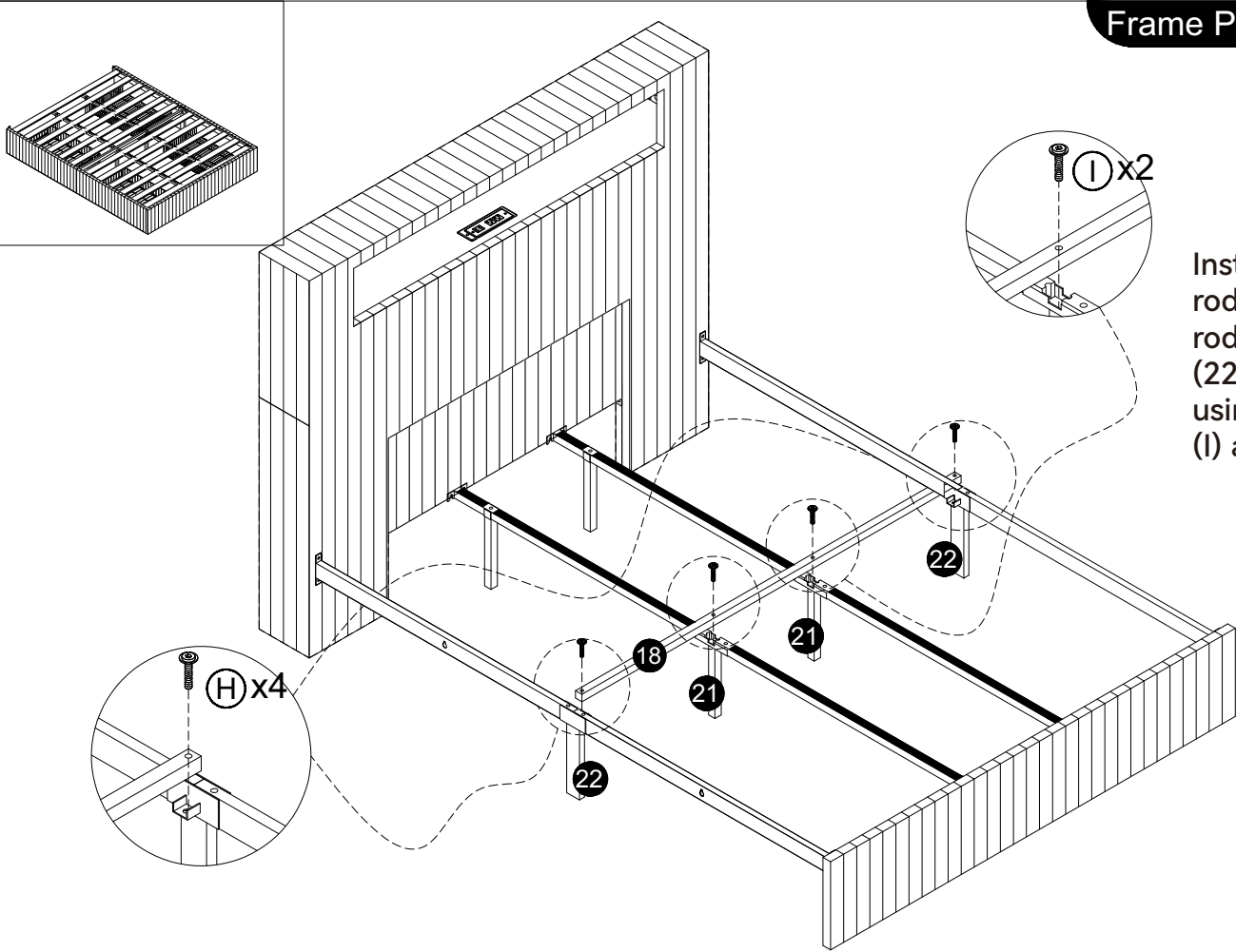
Attach metal rods (19) and (20) to rods (16) and panel (24). Secure firmly with screws (E).



E	X 8
	
M8*20mm Ø5/16"51/64"	

# ASSEMBLY INSTRUCTIONS

## Frame Parts Section

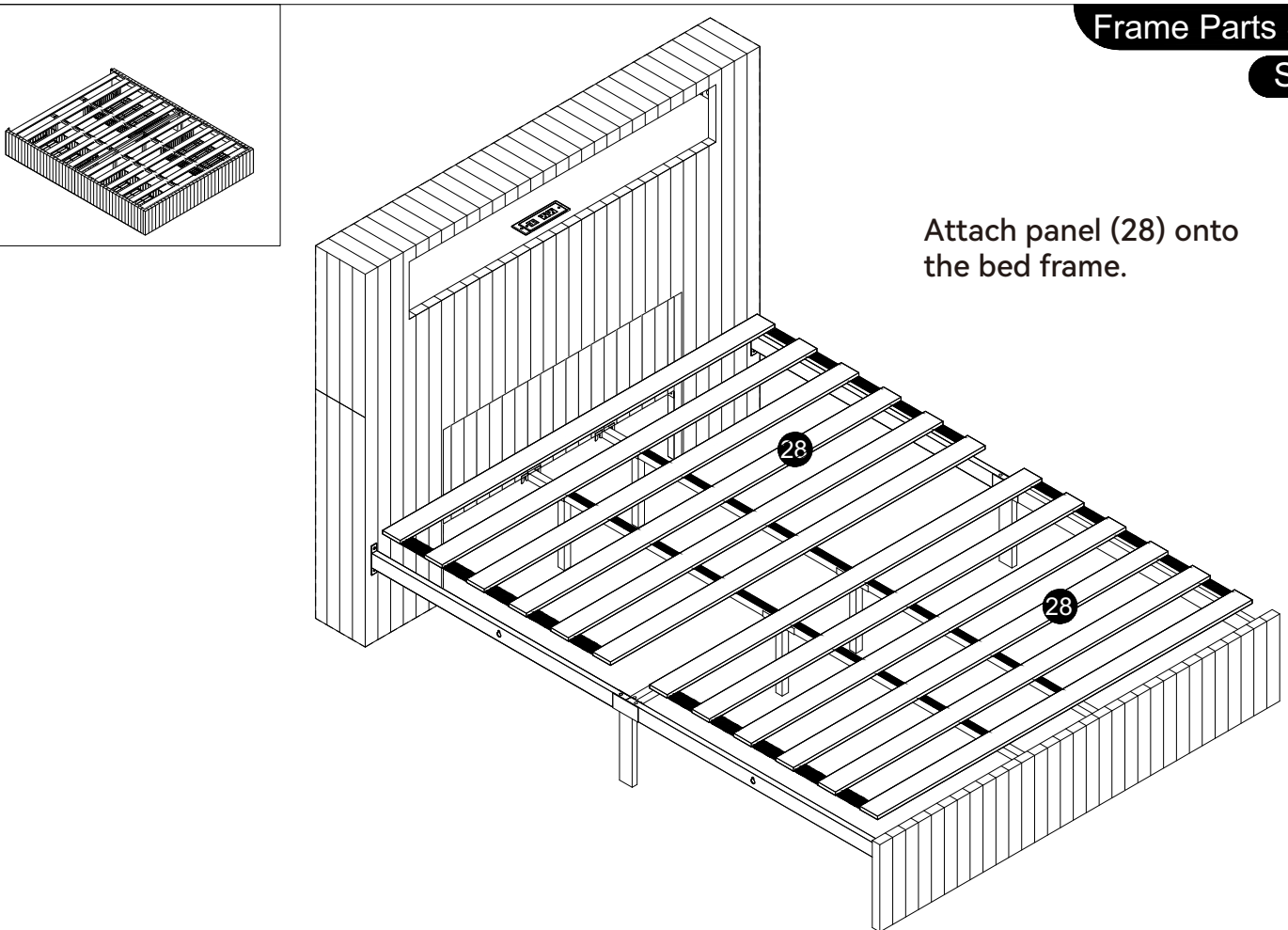
### Step 39



I	X 2
	
M8*50mm Ø5/16"1-31/32"	
H	X 4
	
M8*40mm Ø5/16"1-37/64"	

## Frame Parts Section

### Step 40

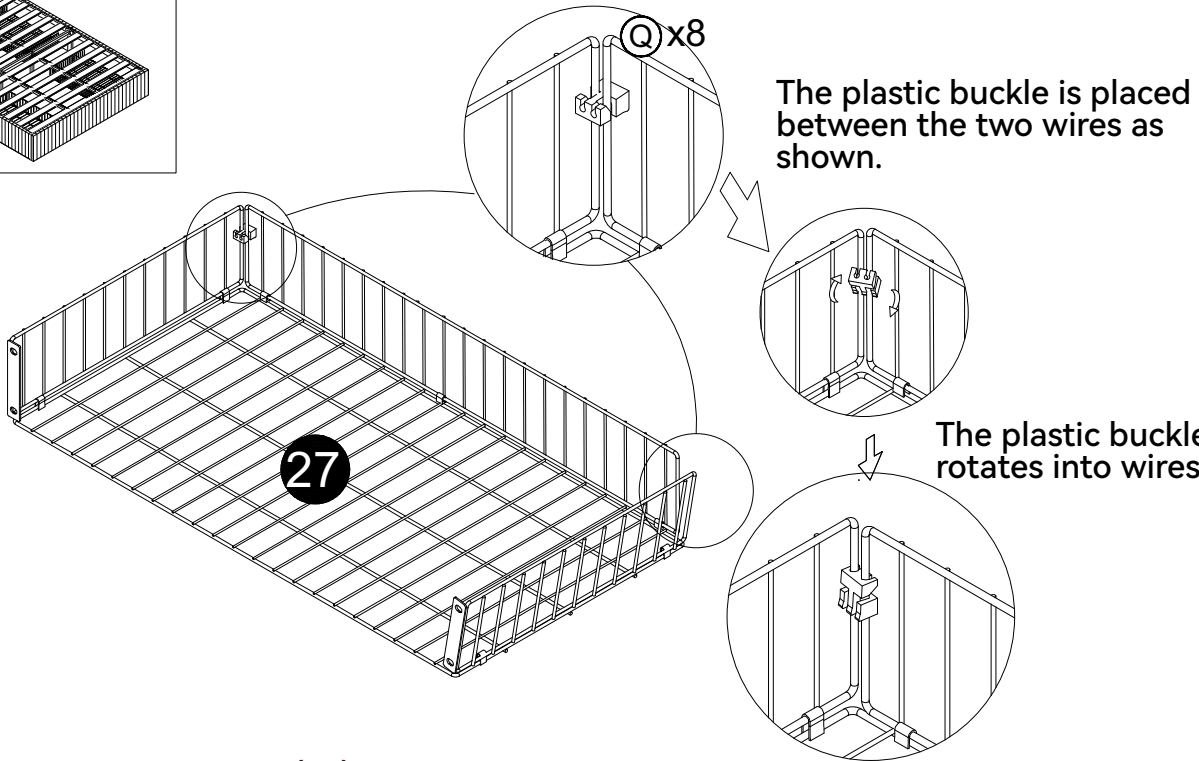
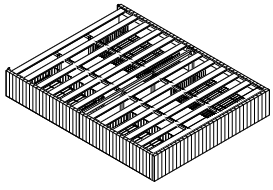


# ASSEMBLY INSTRUCTIONS

## Frame Parts Section

Step 42

X4



Assemble component (27) and secure using screws (Q).

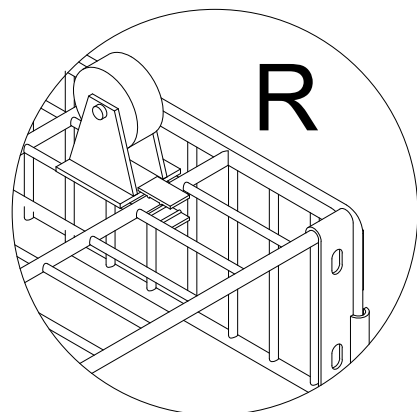
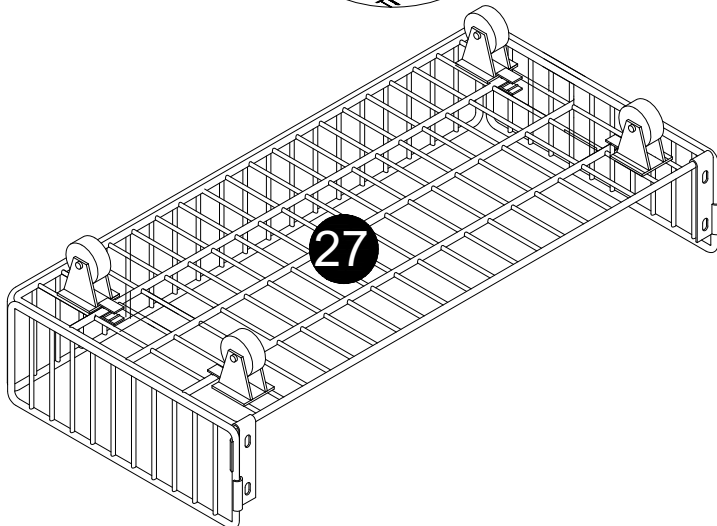
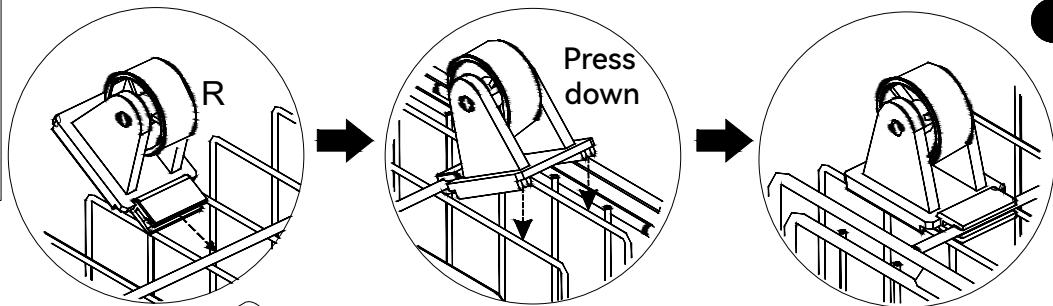
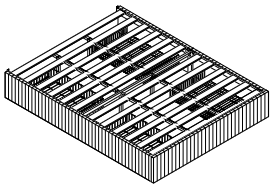
Q X 8



## Frame Parts Section

Step 42

X4



Install component (R) onto component (27).

R X 16

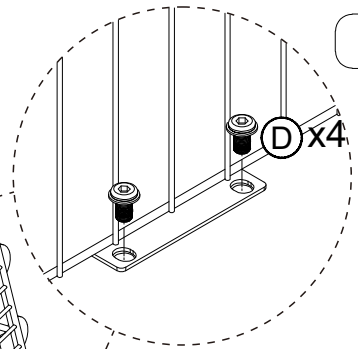
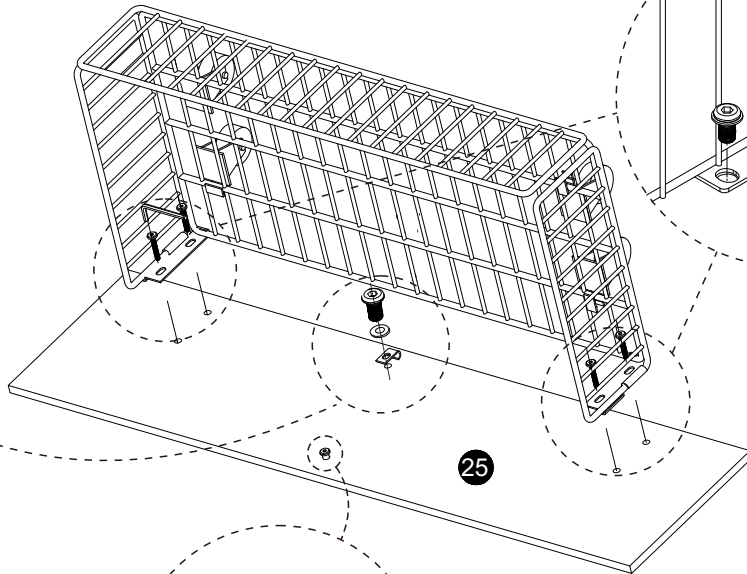
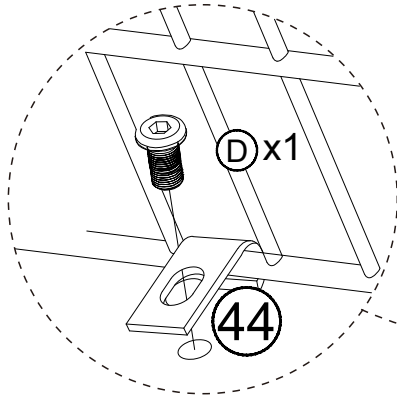
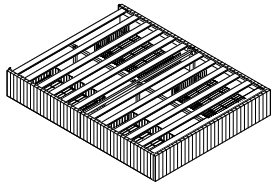


# ASSEMBLY INSTRUCTIONS

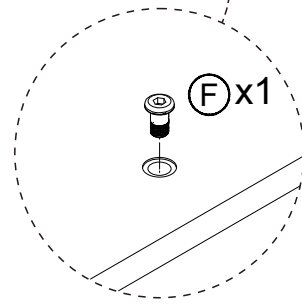
## Frame Parts Section

### Step 43



X4



Attach components (27), (F), and (44) onto panel (25). Secure using screws (D).

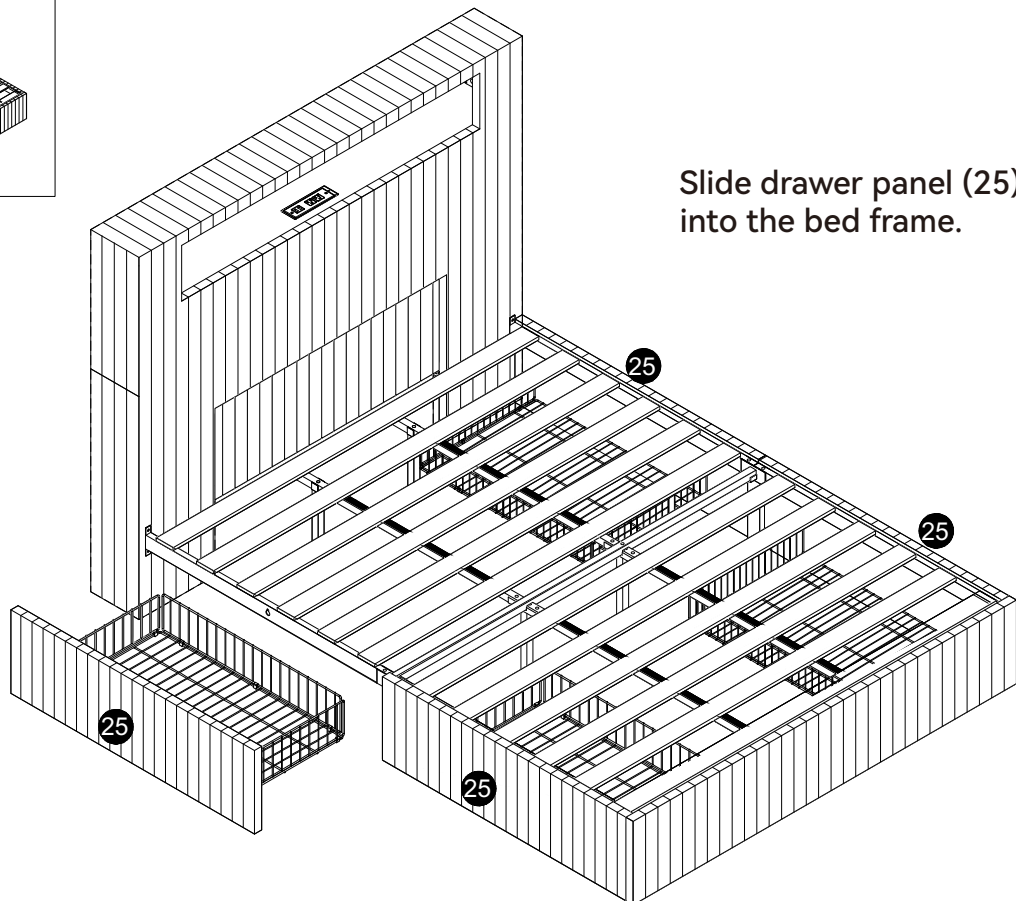
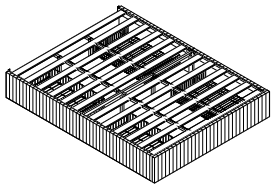


⚠ Don't lock screws, leave a gap

D	X 20
 M8*15mm Ø5/16*19/32"	
F	X 4
 M8*20mm Ø5/16*51/64"	

## Frame Parts Section

### Step 44



Slide drawer panel (25) flush into the bed frame.

# | Storage Bed Frame

SKU:

AK13UD-1K0A1

AK13UD-1K0A2

AK13UD-1K0B1

AK13UD-1K0B2

V2.0