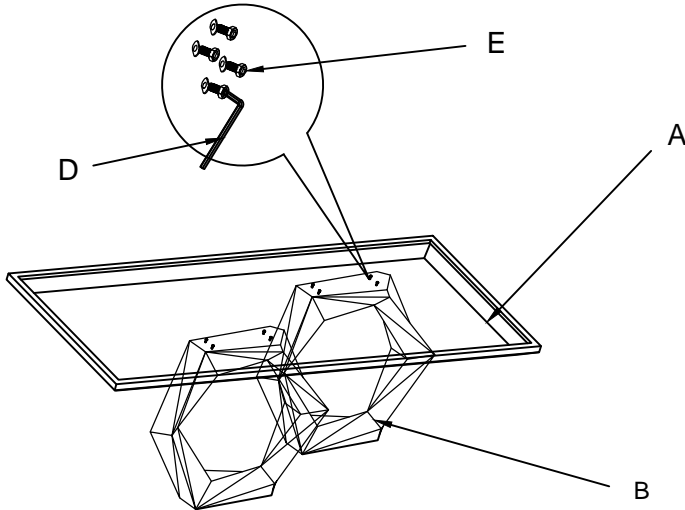


# ASSEMBLY INSTRUCTION

Product name:Dining Table

Thank you for purchasing this quality product,be sure to check all the packing materials carefully. When you received,please pay attention to the products,which may cause deformed during the shipment. \*\*\*Do not fully tighten screws until fully assembled.\*\*\*



step 1:Turn over,use screw (E) connect the stainless steel base (B) with the stainless steel base (A) by Allen key (D).

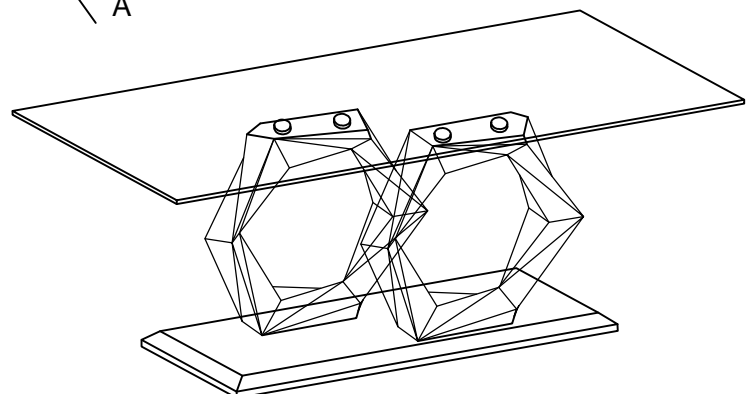
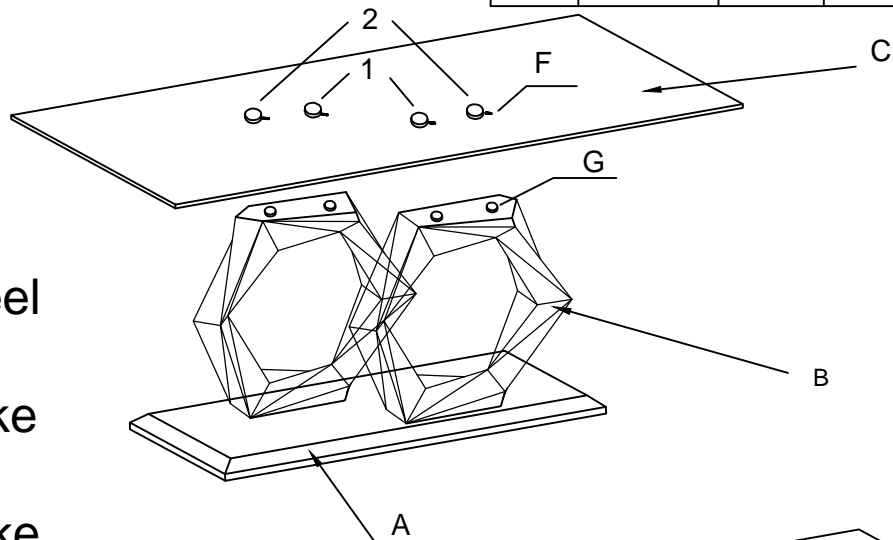
## PART LIST

NO.	Designation	Quantity	Diagram
A	Stainless steel base	1	
B	Stainless steel pillar	2	
C	Table top	1	

## HARDWARE LIST

NO.	Designation	Quantity	Size	Diagram
D	Allen key	1		
E	Screw	12	M8*20	
F	Screw	12	M8*10	
G	Screw	4	M8*16	

step 2:Put the table top (C) on the stainless steel base (A),and screw up(1) cake first and then screw up(2) make sure the right position of aluminum plate, screw up



step 3:Finished