

Assembly Instruction

Swivel Chair



Swivel base is located on the chair seat, hardware set is located inside the carton for assembly.

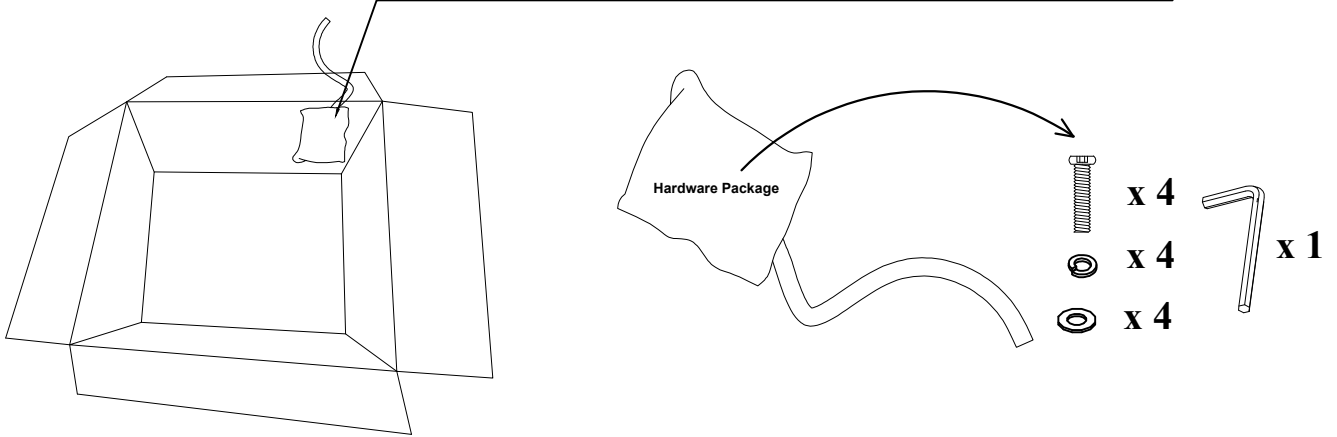
Note: Do not use power tools for assembly. Power tools increase the risk of over tightening which lead to splitting or cracking the wood. Do not tighten bolts until completely assembled.

Component list

No	Drawing	Qty	Description
A		1	Swivel Chair Seat
B		1	Swivel Base
C		4	Bolts 1/4"*25mm
D		4	Flat Washers Ø19*Ø6*1.5mm
E		4	Lock Washers 1/4"*1.3mm
F		1	Allen Wrench M5*70*35mm

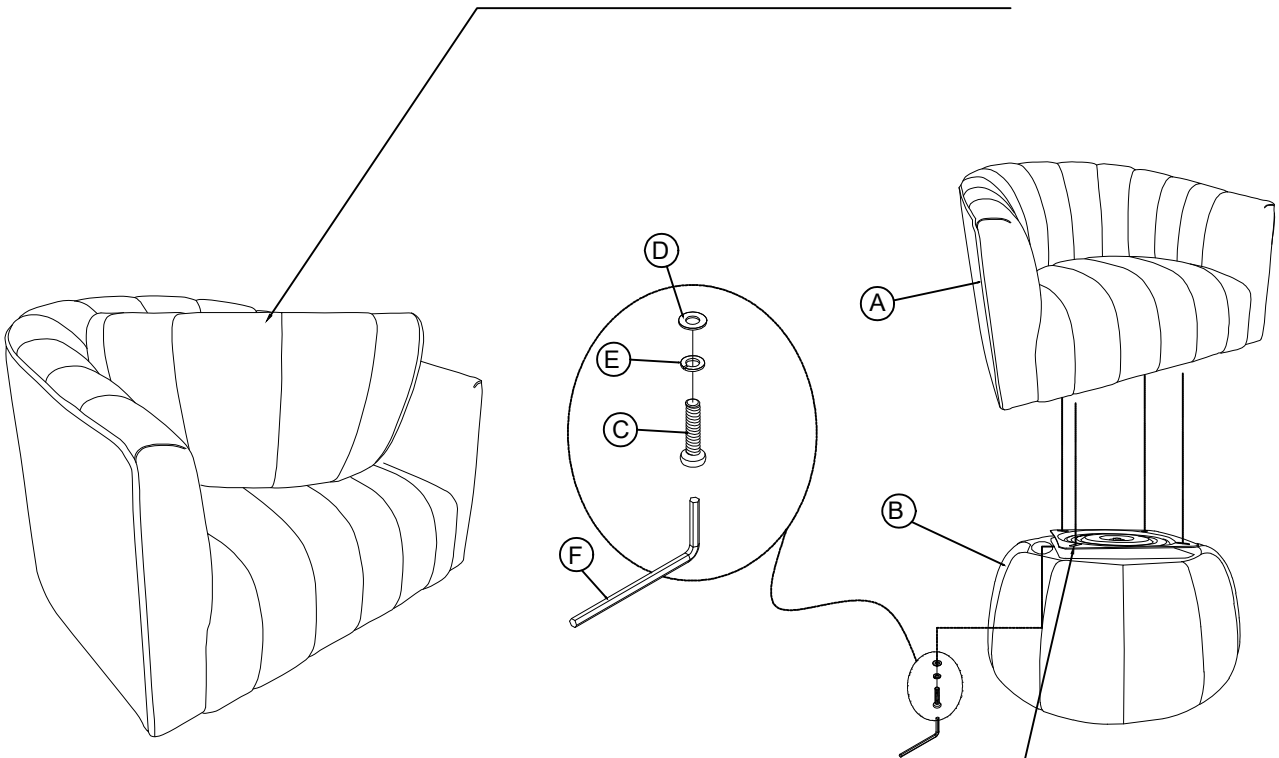
Step #1

Hardware package on the inner wall of the carton.



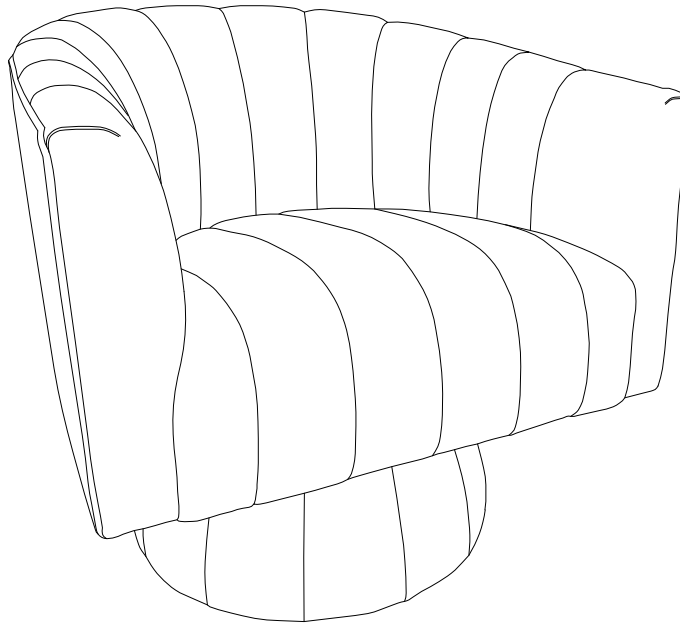
Step #2

Swivel base on swivel chair seat.



Assemble the first two bolts, then rotate the swivel base 90° and install the remaining two bolts.

Step #3



Care Instruction for Velvet Furniture:

In order to maintain the original appearance of your velvet Furniture, please follow below simple care procedures:

- Avoid exposing furniture directly to sunlight or heating and air conditioning outlets. Sunlight and or exposure to heating and air conditioning outlets will fade/damage velvet.
- Vacuum or wipe with a soft cloth to remove dust.
- Hardware may loosen over time. Periodically check to make sure all connection are tight, Re-tighten if necessary



For items use on wooden floor, hard surfaces or carpets, it is recommended to Install protective pads under all legs and supports to avoid/prevent from damages/scratches and discoloration.