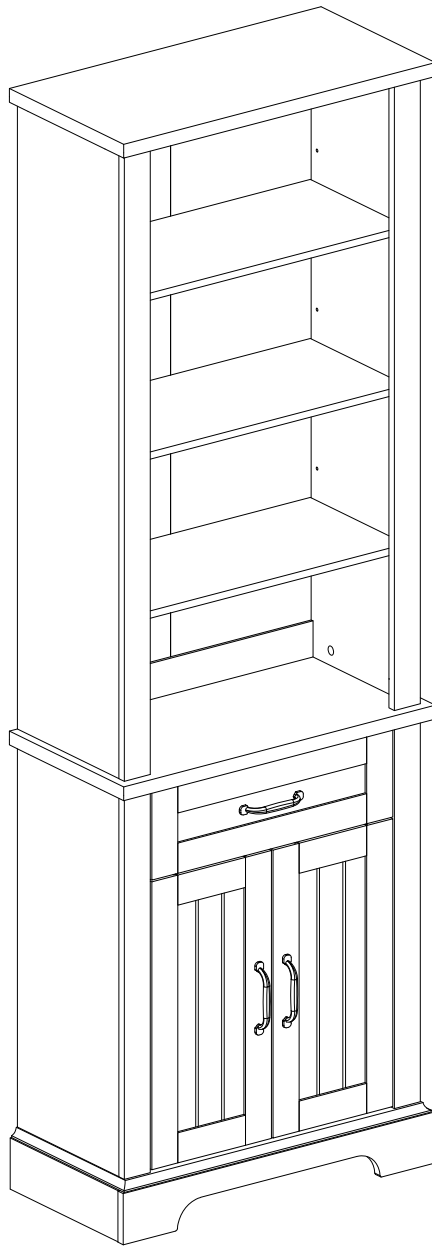
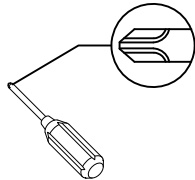


Assembly Instructions

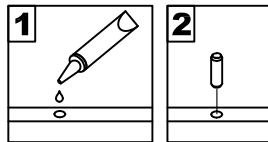


General Assembly Guidelines

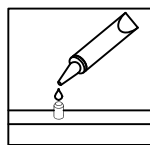
- I. Ensure that all parts and hardware are available before beginning assembly.
- II. Follow each step carefully to ensure the proper assembly of this product.
- III. Two people are recommended for ease in the assembly of this product.
- VI. A Phillips head screwdriver is required for the assembly of this product .



- V. The provided glue is to secure wood dowels in place . When first inserting dowels , locate the appropriate hole for the dowel , place a small amount of glue in the hole and insert the dowel . Wipe away excess glue immediately.

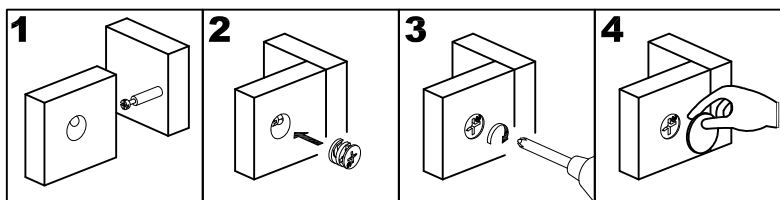


In future assembly steps when dowels are necessary to attach assembly parts together , place a small amount of glue on the end of the dowel before attaching parts together . Wipe away excess glue immediately.

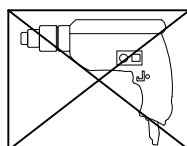


VI. HOW THE KNOCK DOWN (KD) ASSEMBLY SYSTEM WORKS

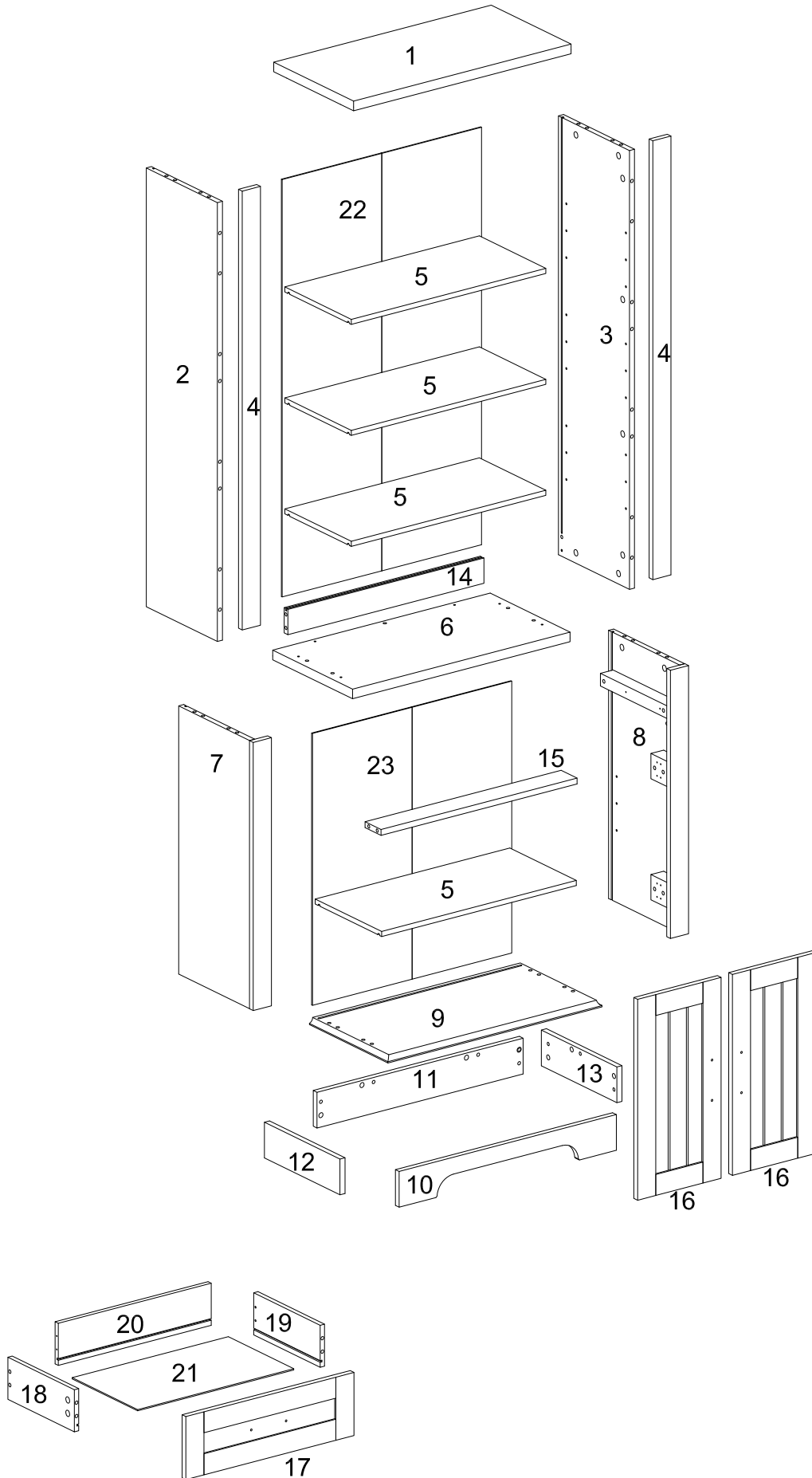
- 1.Screw the Cam Bolt into the pre-drilled hole on the panel. Make sure Cam Bolt goes into the pre-drilled hole on the end of panel for Cam Lock.
- 2.Insert the Cam Lock into the pre-drilled large hole on the panel. Make sure the arrow on the face of Cam Lock points towards Cam Bolt.
- 3.Take a Phillips screwdriver and rotate the Cam Lock clockwise to lock the Cam Bolt.
- 4.Use the sticker to conceal the Cam.







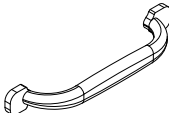


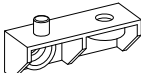



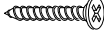




- VII. Power tools should not be used to assemble this product .

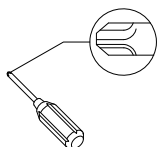


Parts List



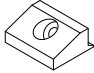




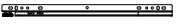
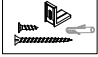


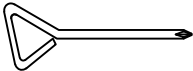
Hardware List

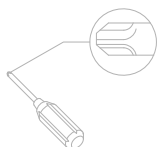
A		Ø8x30mm	Dowel	29 pcs
B		Ø6x35mm	Cam Bolt	30 pcs
C		Ø15x12mm	Cam Lock	26 pcs
D		Ø15x10mm	Cam Lock (Small)	4 pcs
E			Handle	3 pcs
F		Ø4x9mm	Handle bolt	2 pcs
G		Ø4x19mm	Handle bolt	4 pcs
H			Connector	10 pcs
I		1/4x12mm	Bolt	20 pcs
J		Ø5x16mm	Shelf support pin	16 pcs
K		Ø3x12mm	Screw	10 pcs
L		Ø4x38mm	Screw	8 pcs
M		Ø10	Rubber pad	2 pcs
N		M4	Allen Wrench	1 pc
O		Ø26	Europe Hinge	4 pcs
P		Ø3.5x14mm	Screw	24 pcs



Philips head screwdriver required for assembly
(not included)

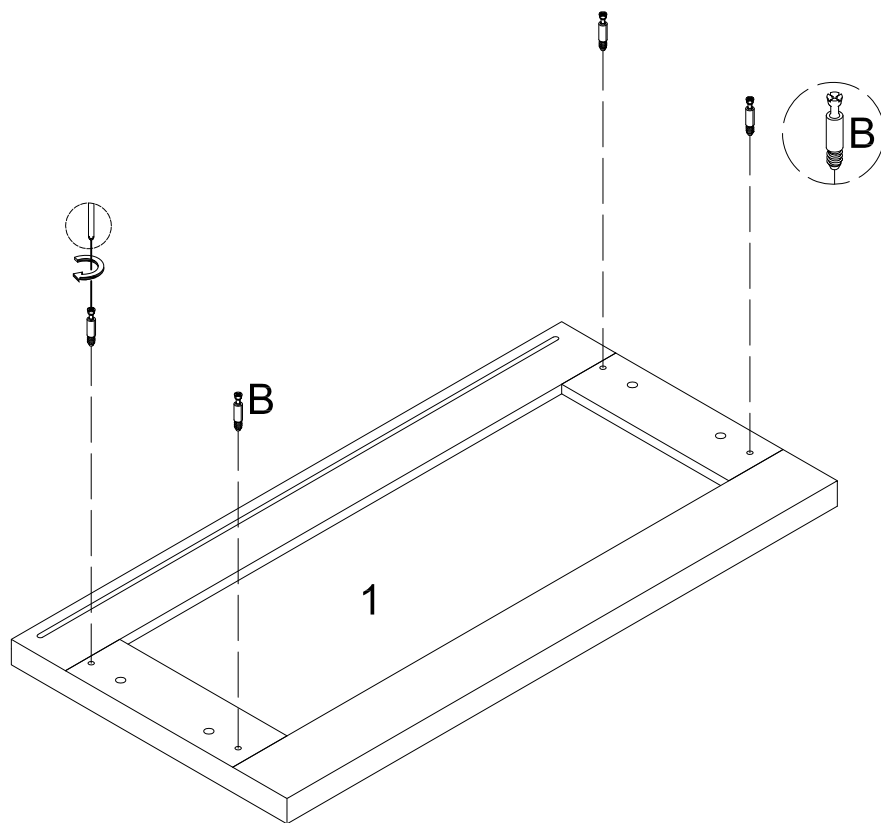
Hardware List

Q			Plastic Wedge	22 pcs
R		Ø3x17mm	Flat-head Screw	22 pcs
S		10"	Left Glide Track	1 pcs
T		10"	Right Glide Track	1 pcs
U		10"	Left drawer runner	1 pcs
V		10"	Right drawer runner	1 pcs
W			Tipping Restraint Hardware	1 pc
X			Glue Tube	1 pcs
Y		Ø25mm	Cover	4 pcs
Z			Screw driver	1 pc

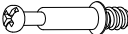


Philips head screwdriver required for assembly
(not included)

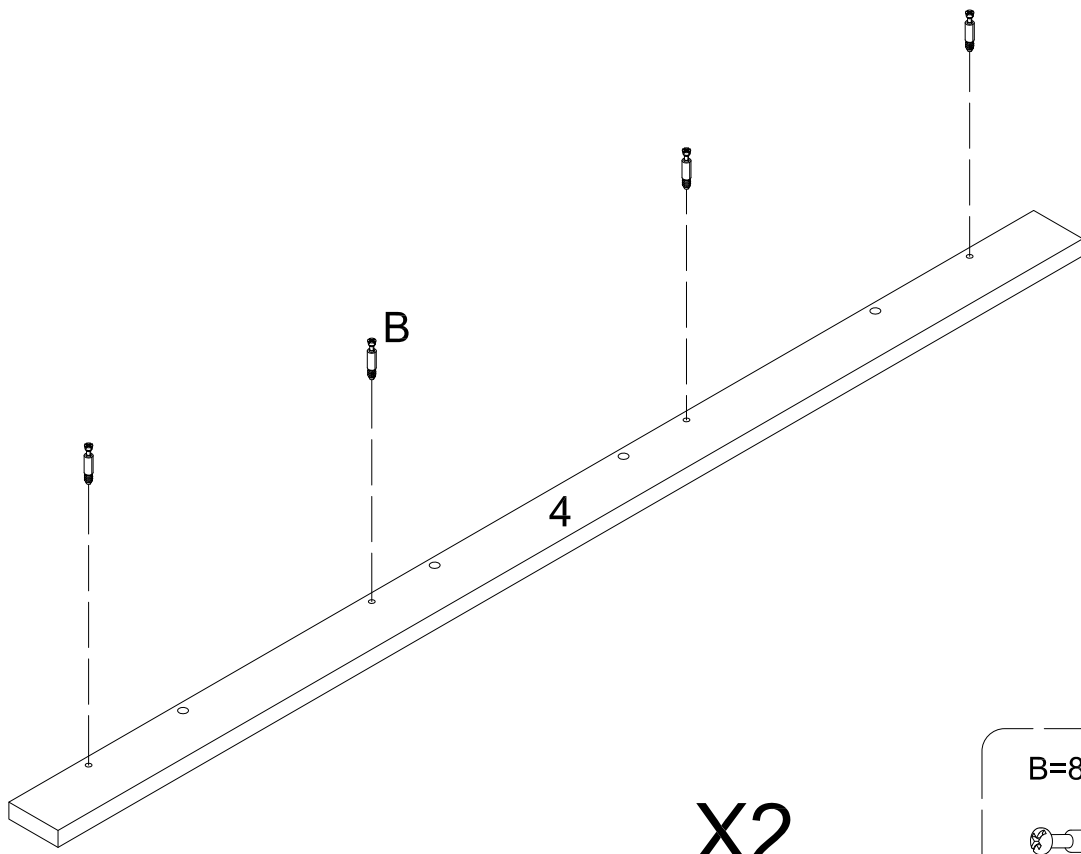
Step 1



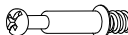
B=4PCS



Step 2



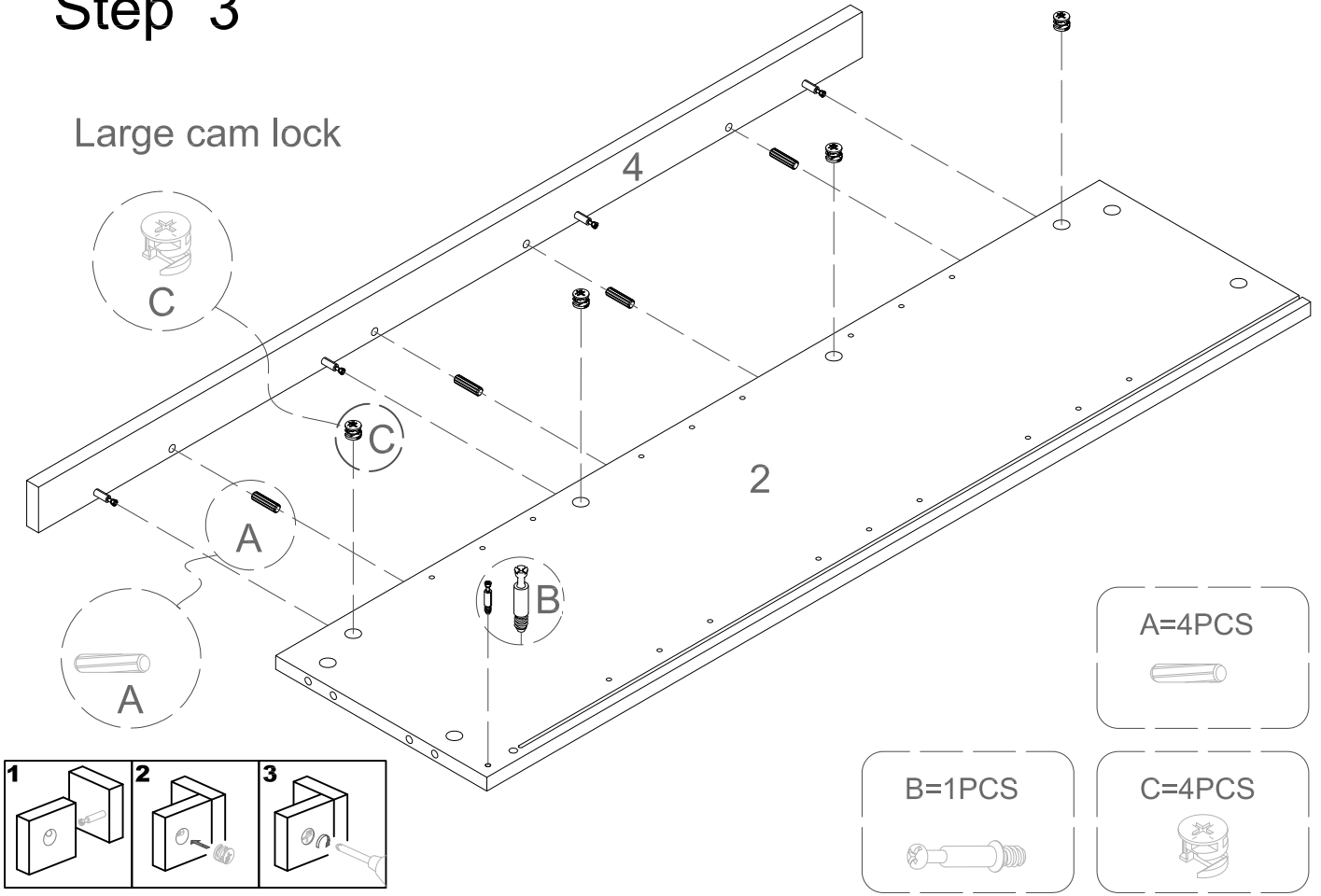
B=8PCS



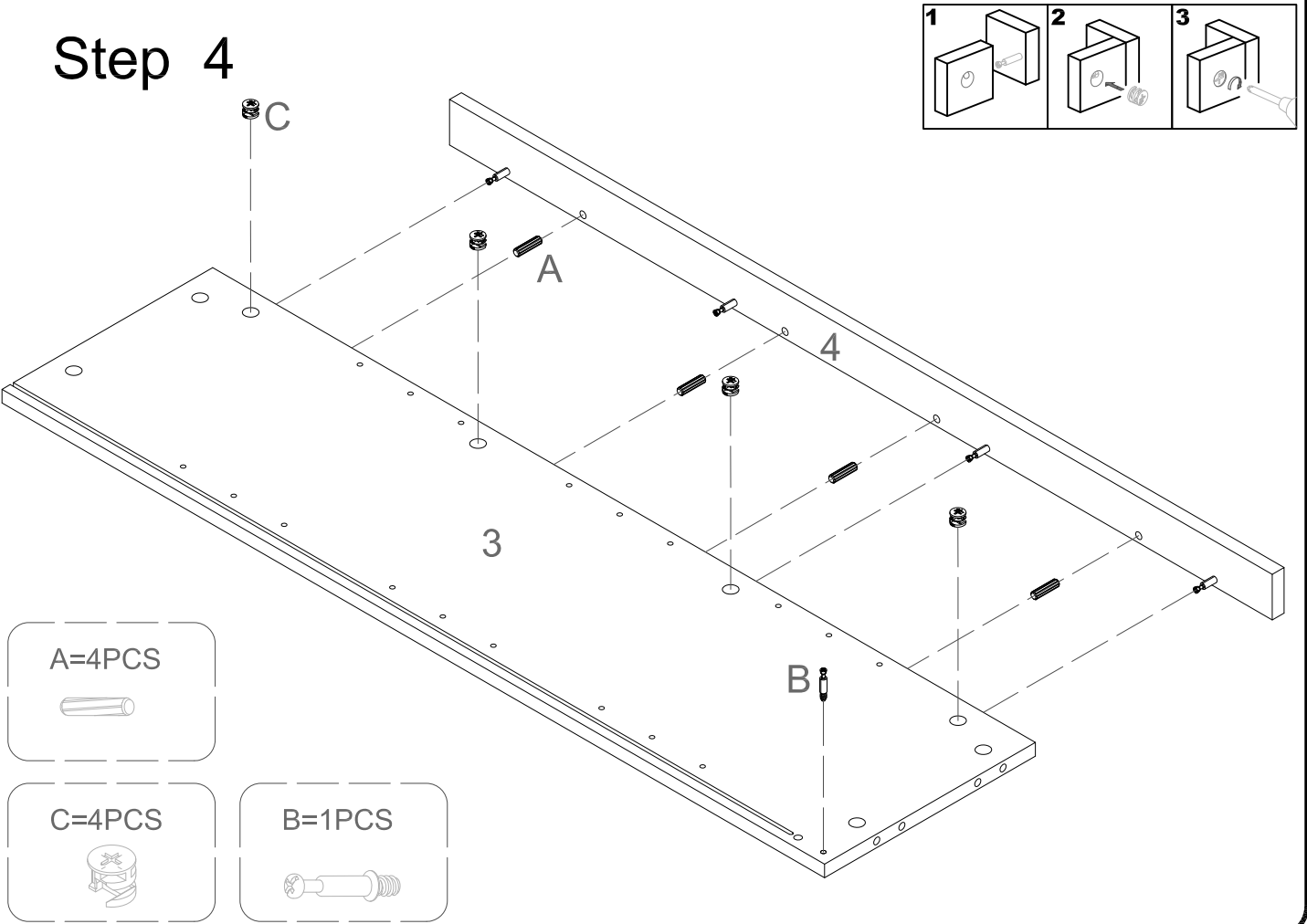
X2

Step 3

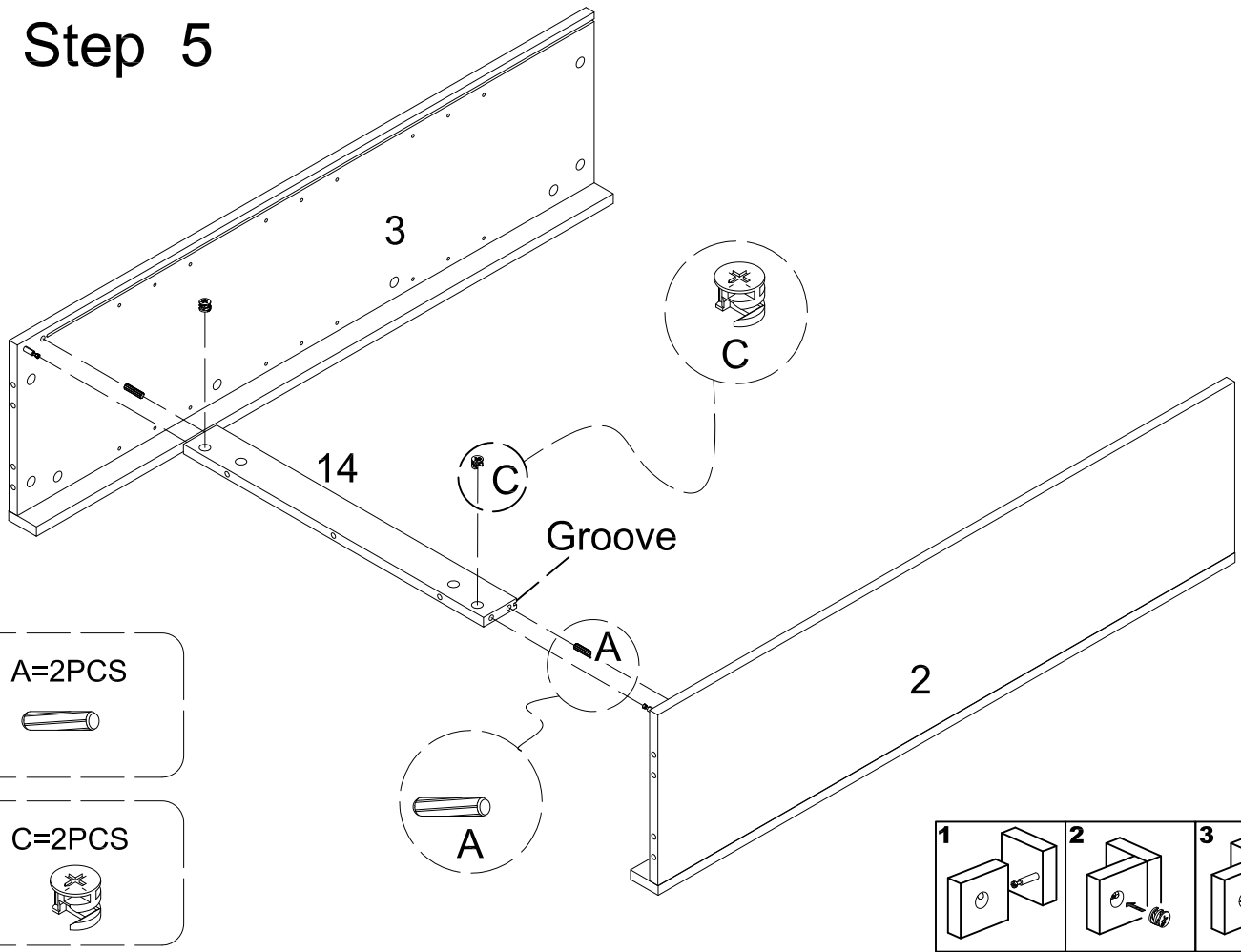
Large cam lock



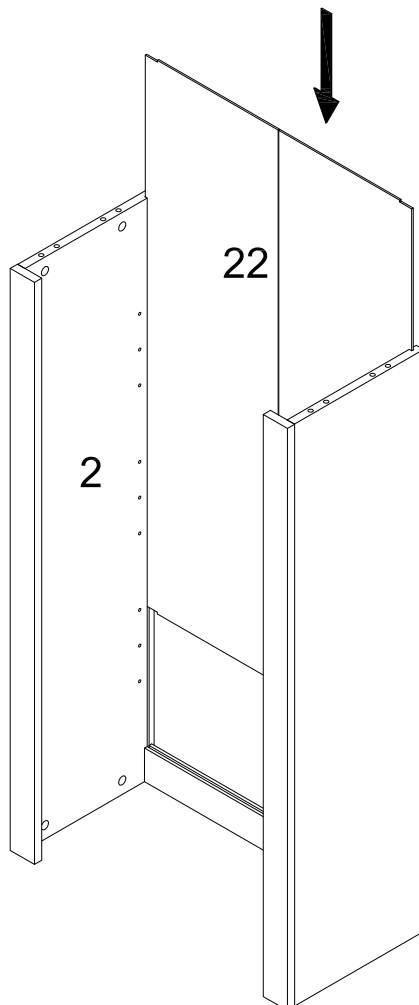
Step 4



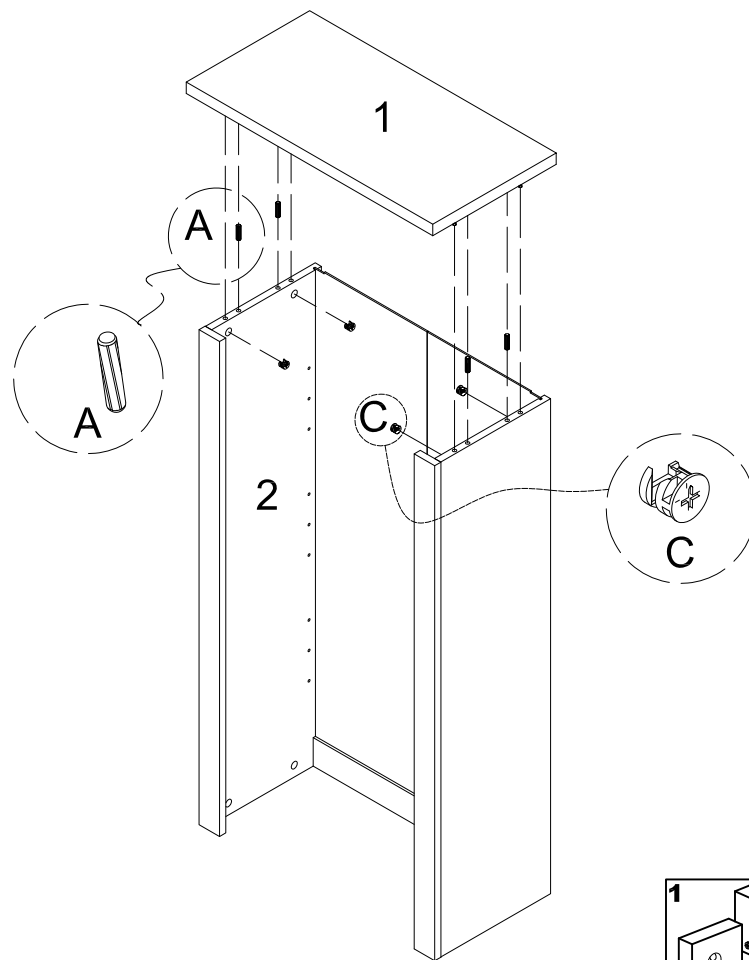
Step 5



Step 6

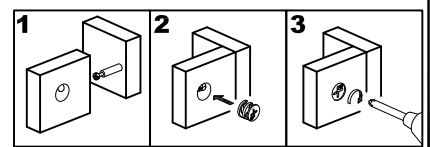


Step 7

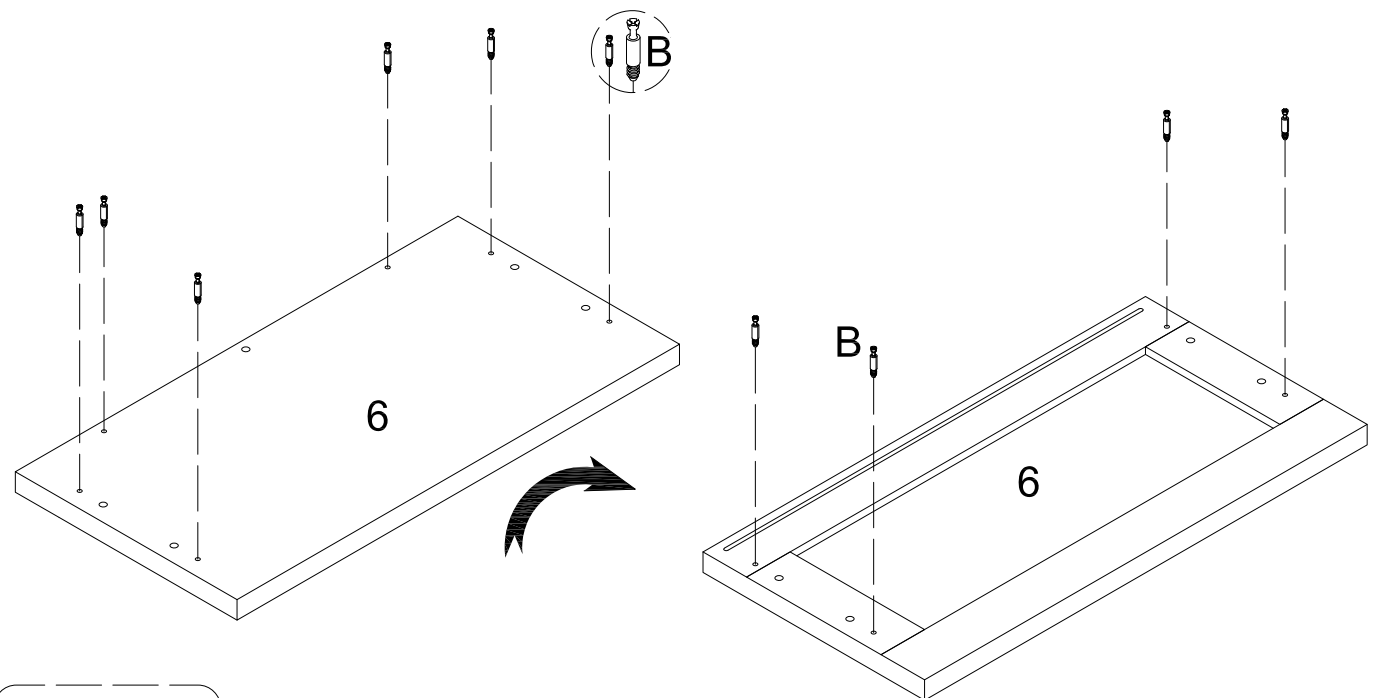


A=4PCS

C=4PCS

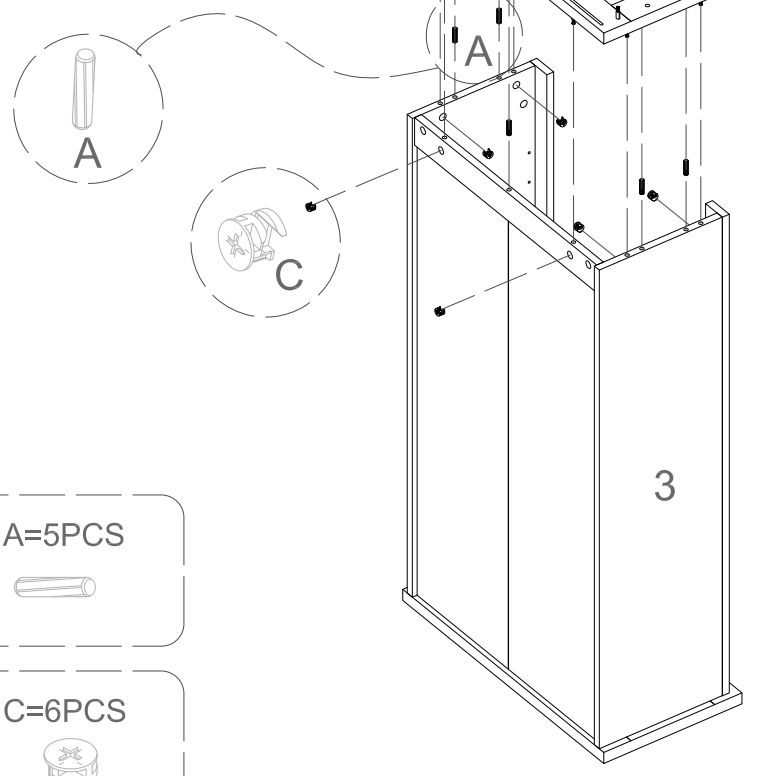


Step 8



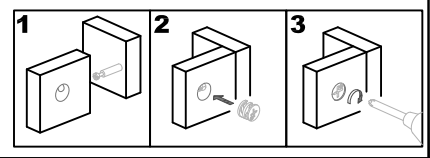
B=10PCS

Step 9

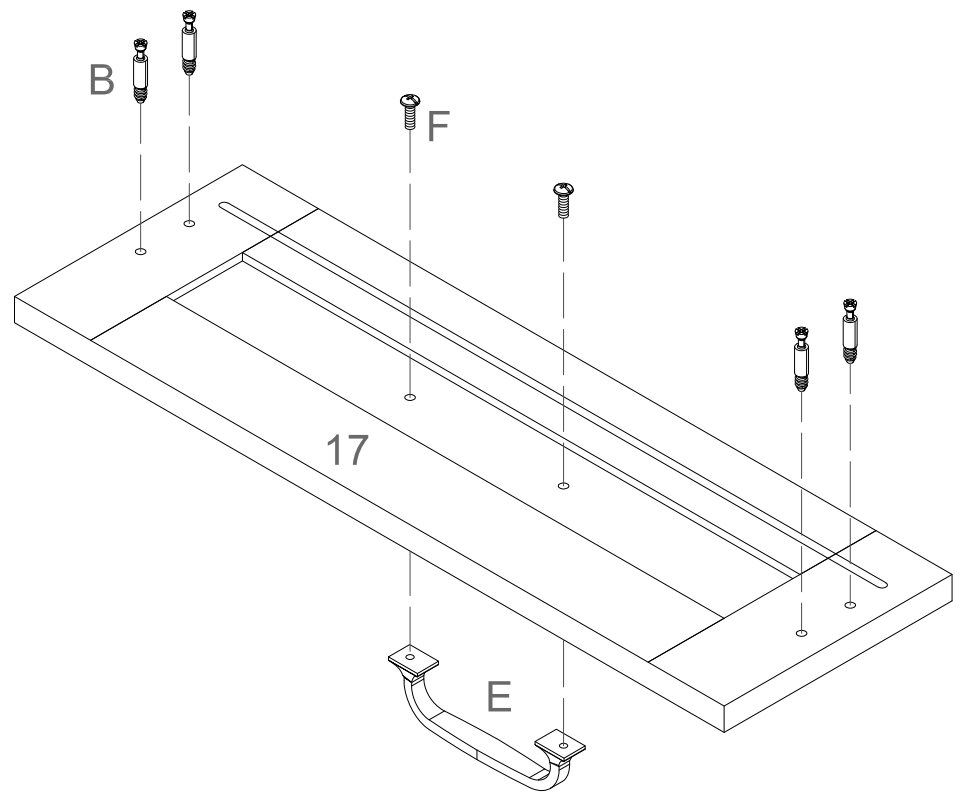


A=5PCS

C=6PCS



Step 10

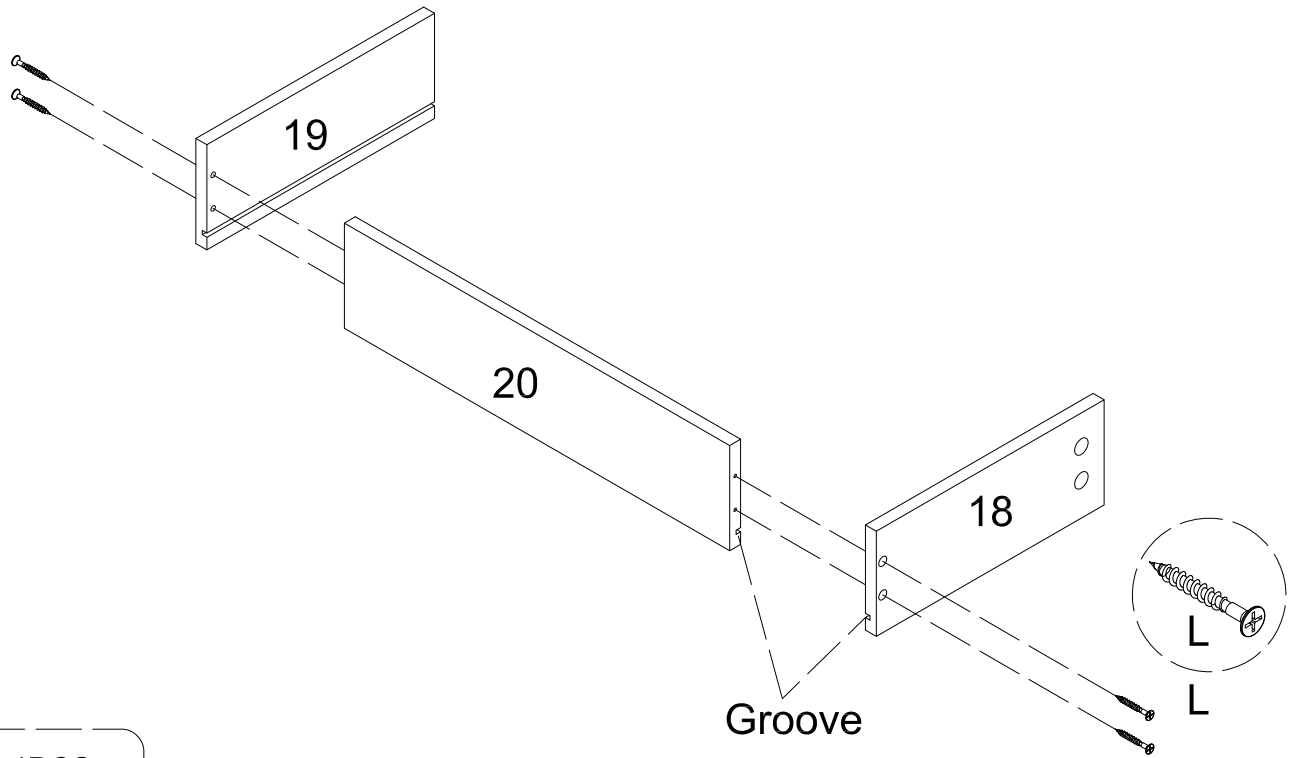


B=4PCS

E=1PCS

F=2PCS

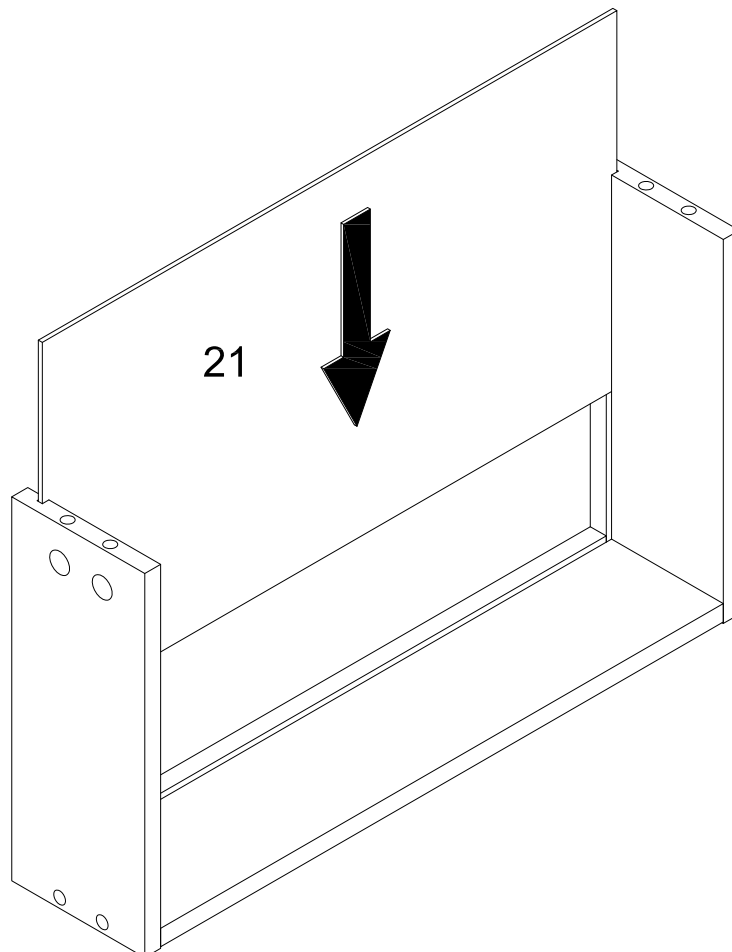
Step 11



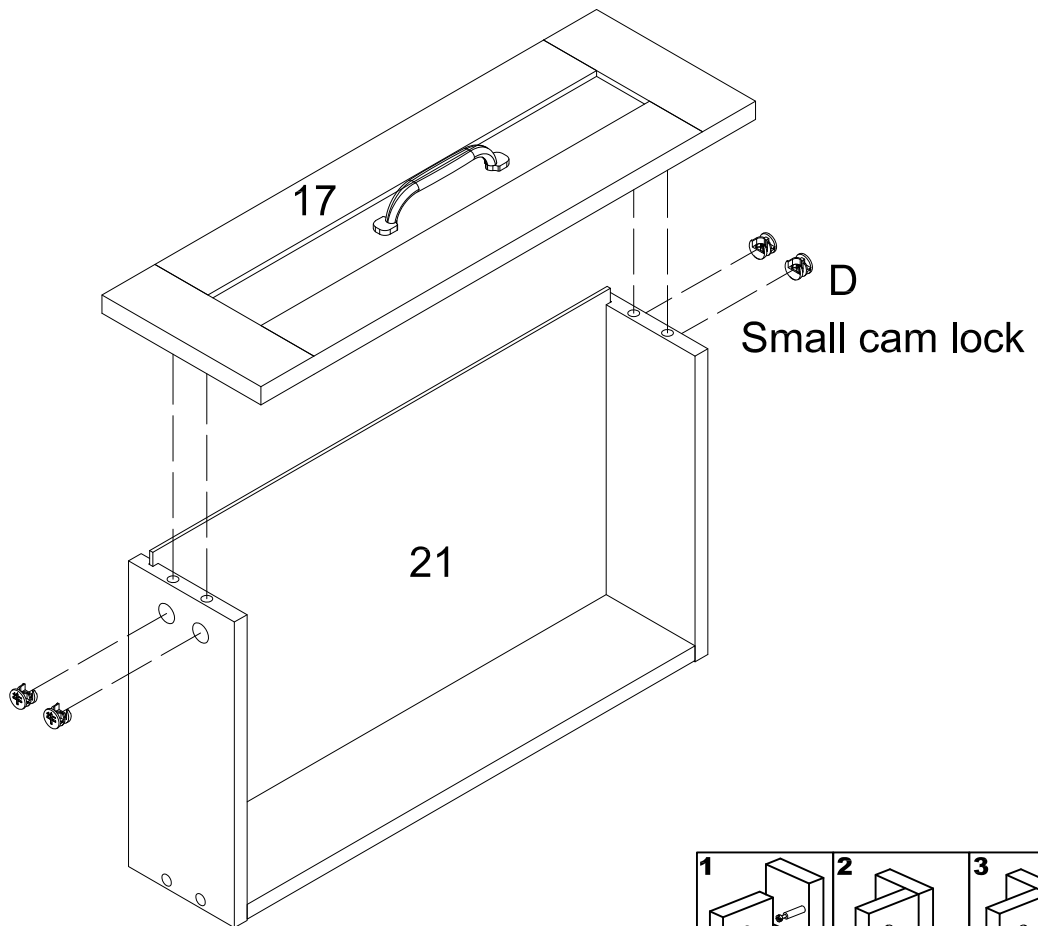
L=4PCS



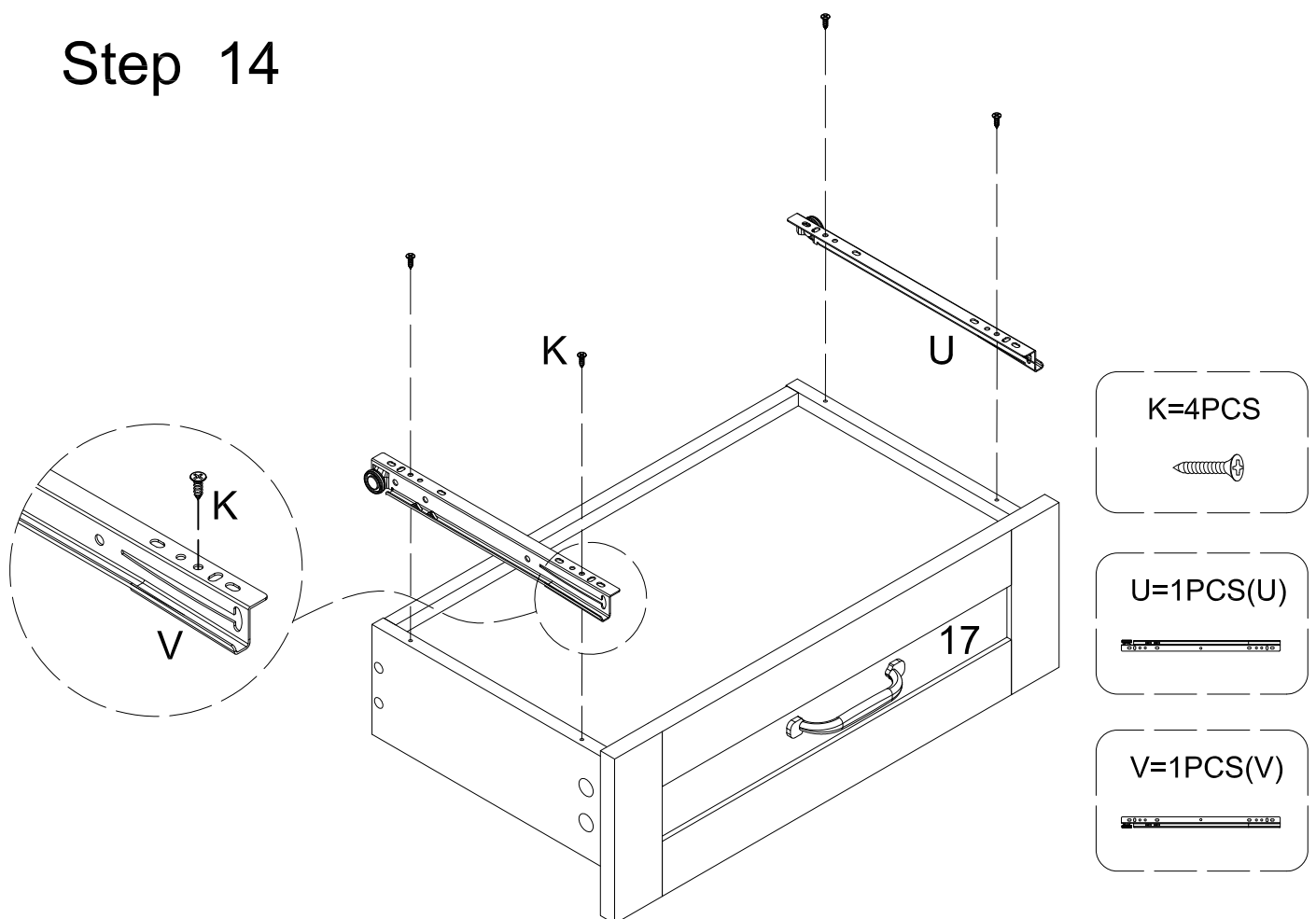
Step 12



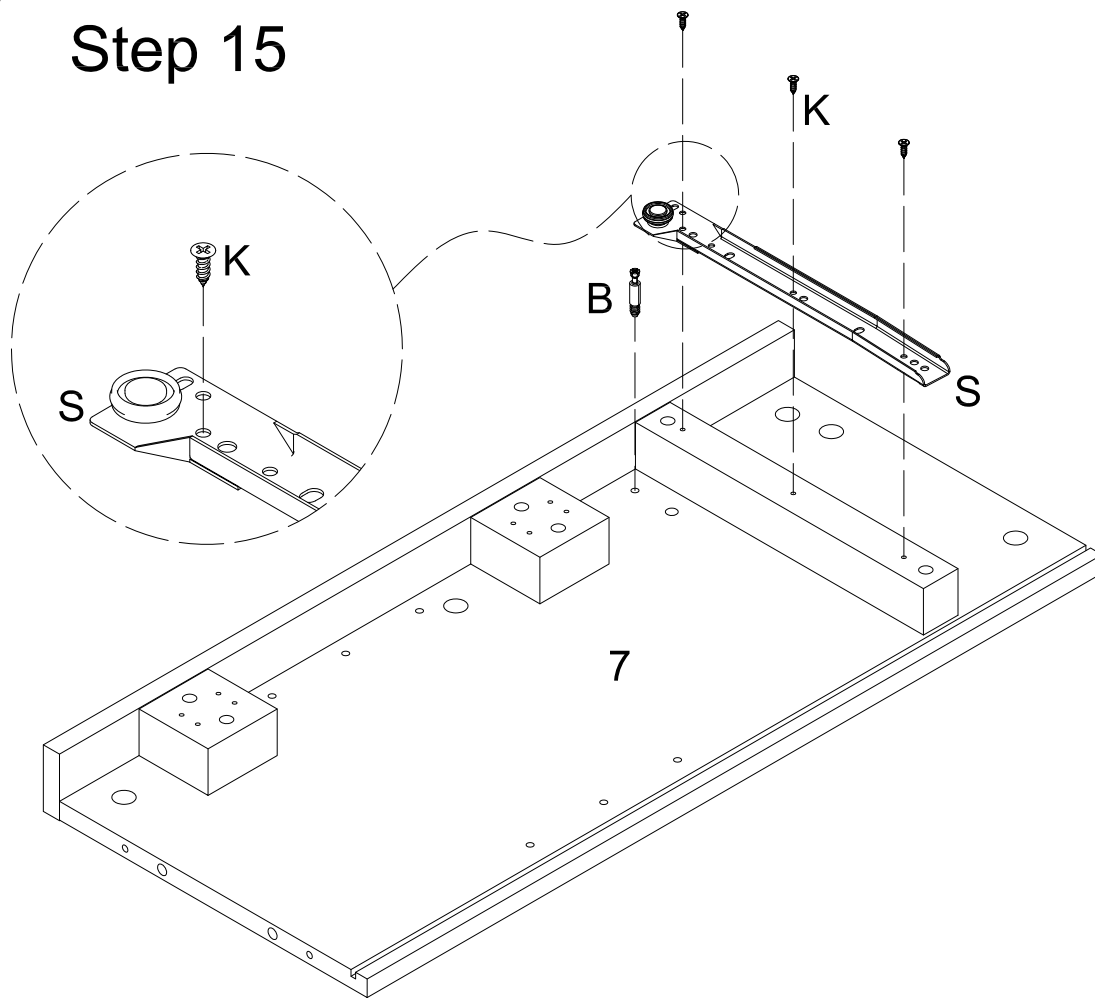
Step 13



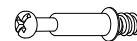
Step 14



Step 15



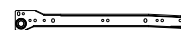
B=1PCS



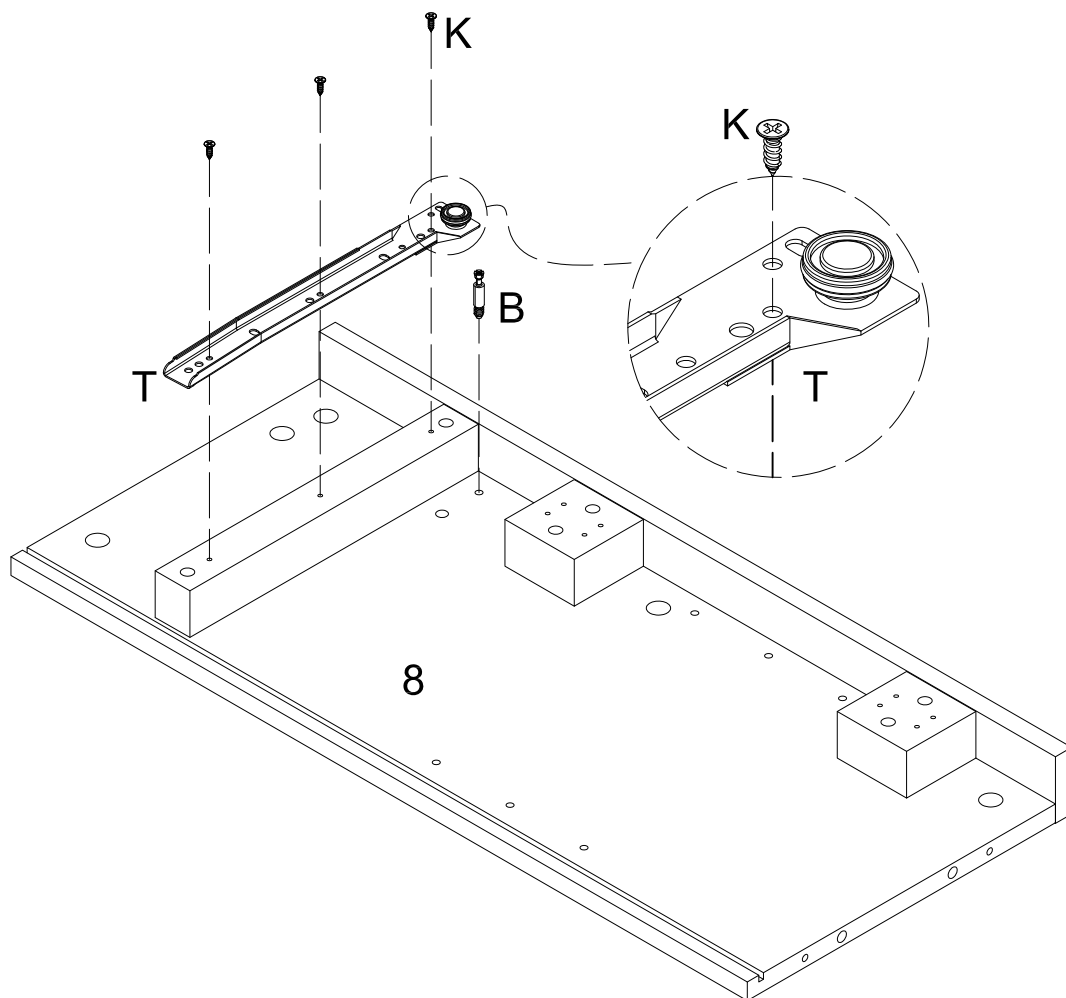
K=3PCS



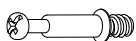
S=1PCS(S)



Step 16



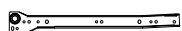
B=1PCS



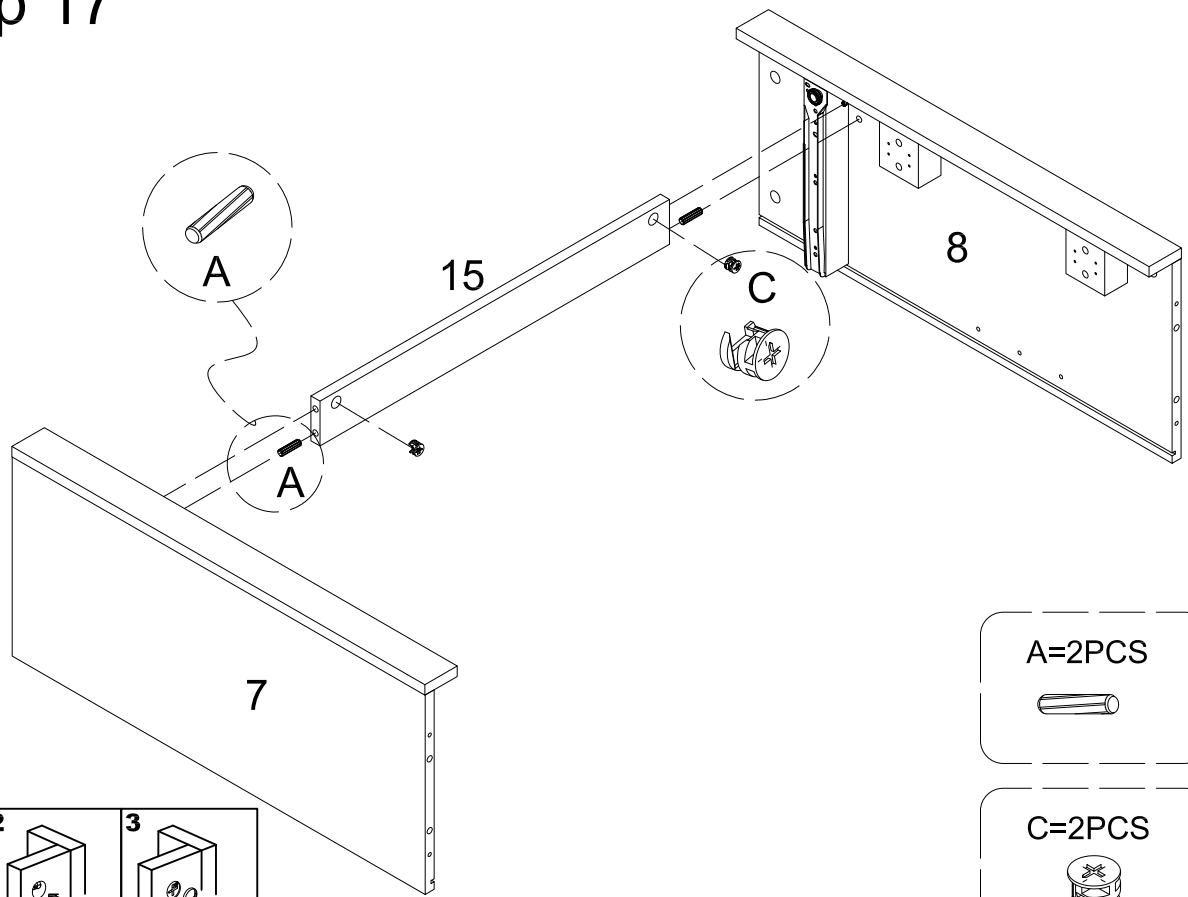
K=3PCS



T=1PCS(T)



Step 17



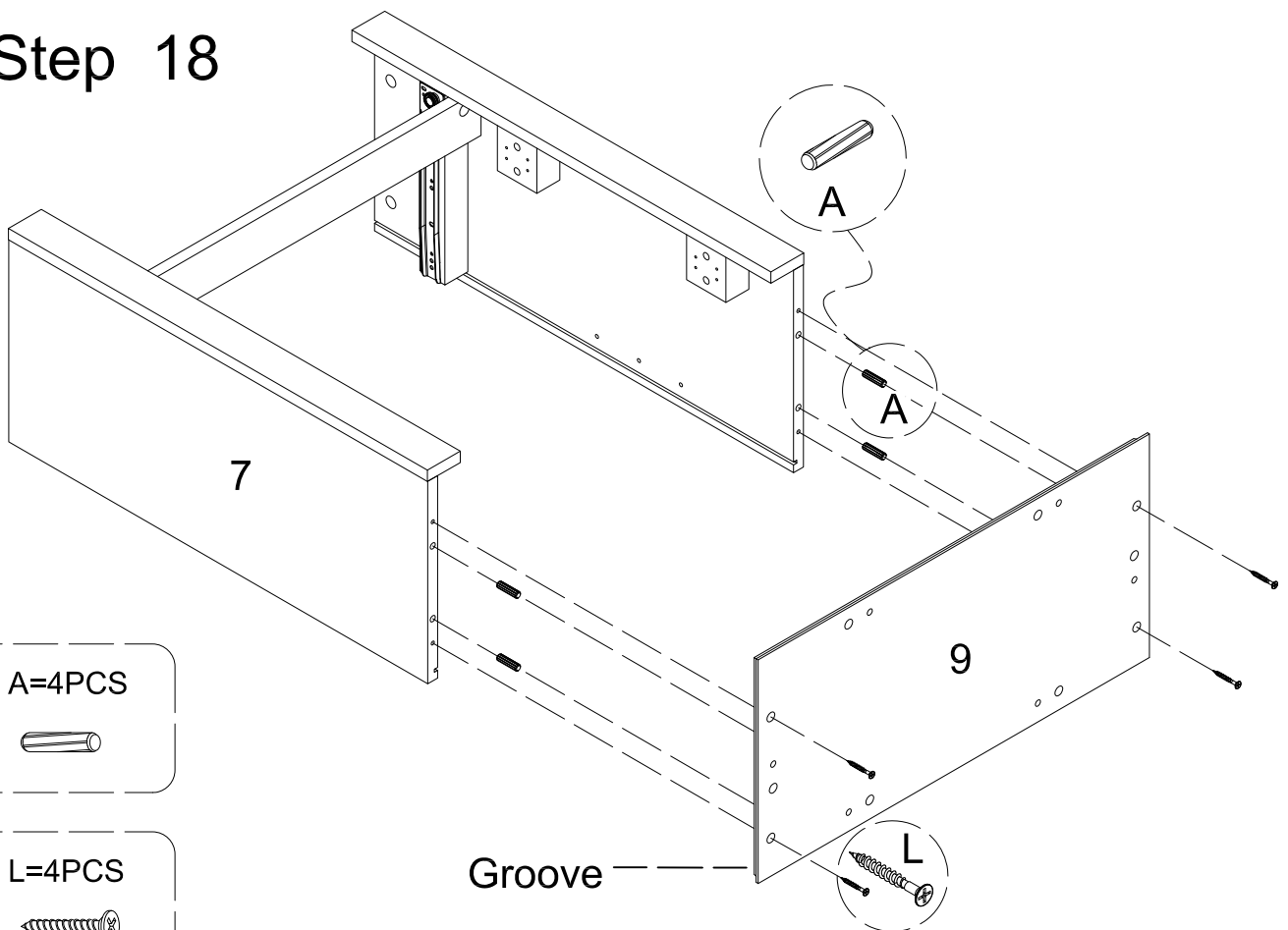
A=2PCS



C=2PCS



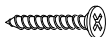
Step 18



A=4PCS

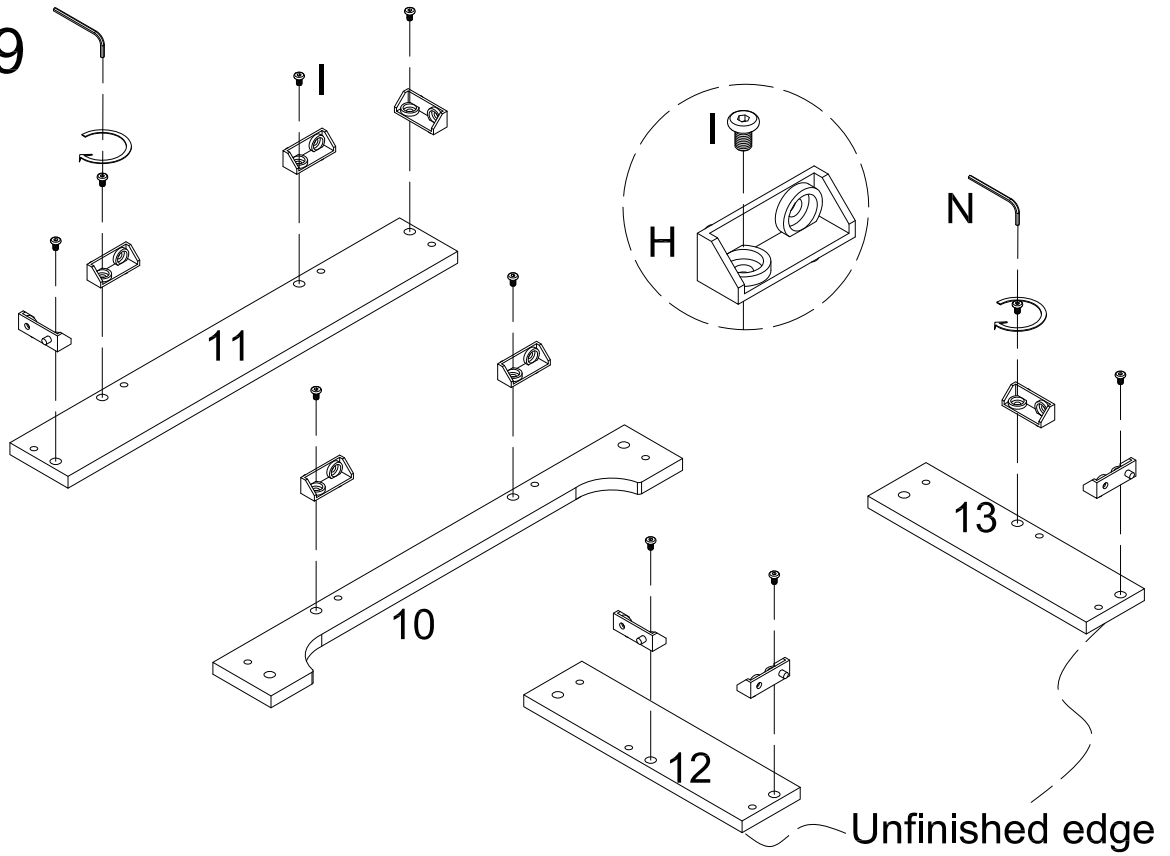


L=4PCS

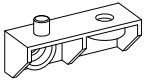


Groove

Step 19



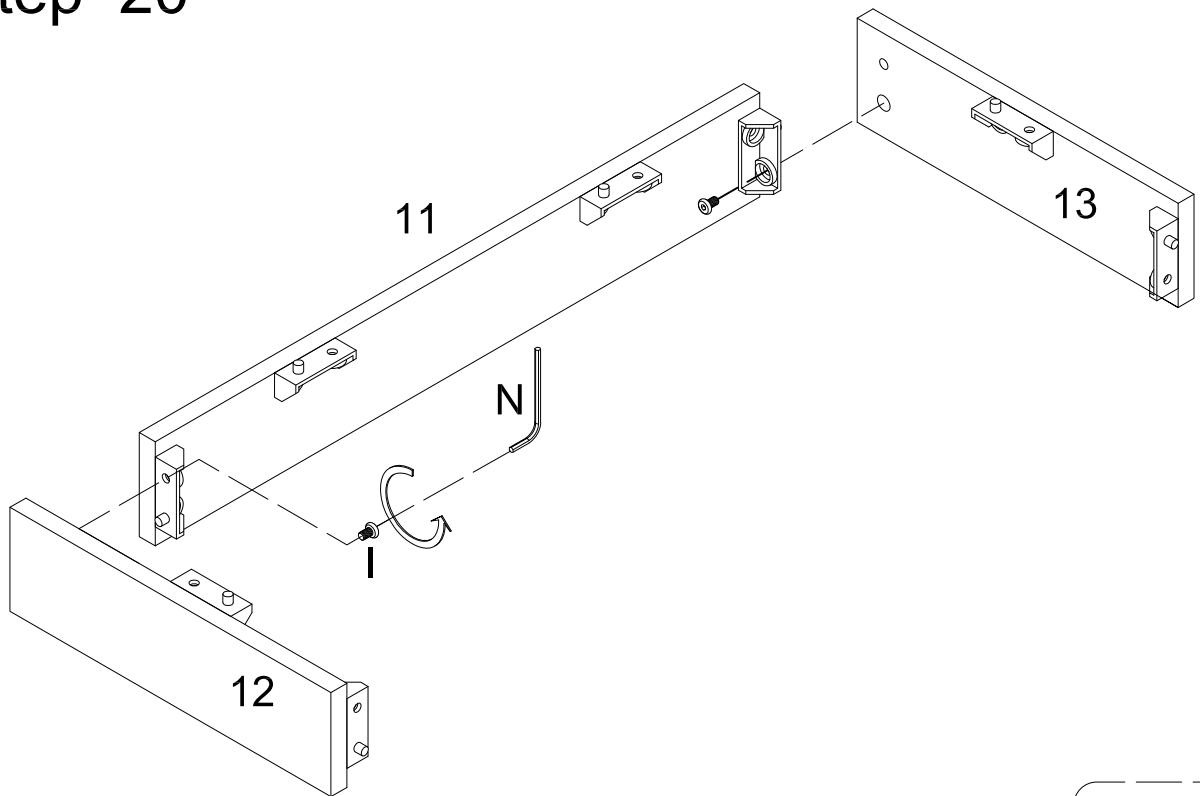
H=10PCS



I=10PCS



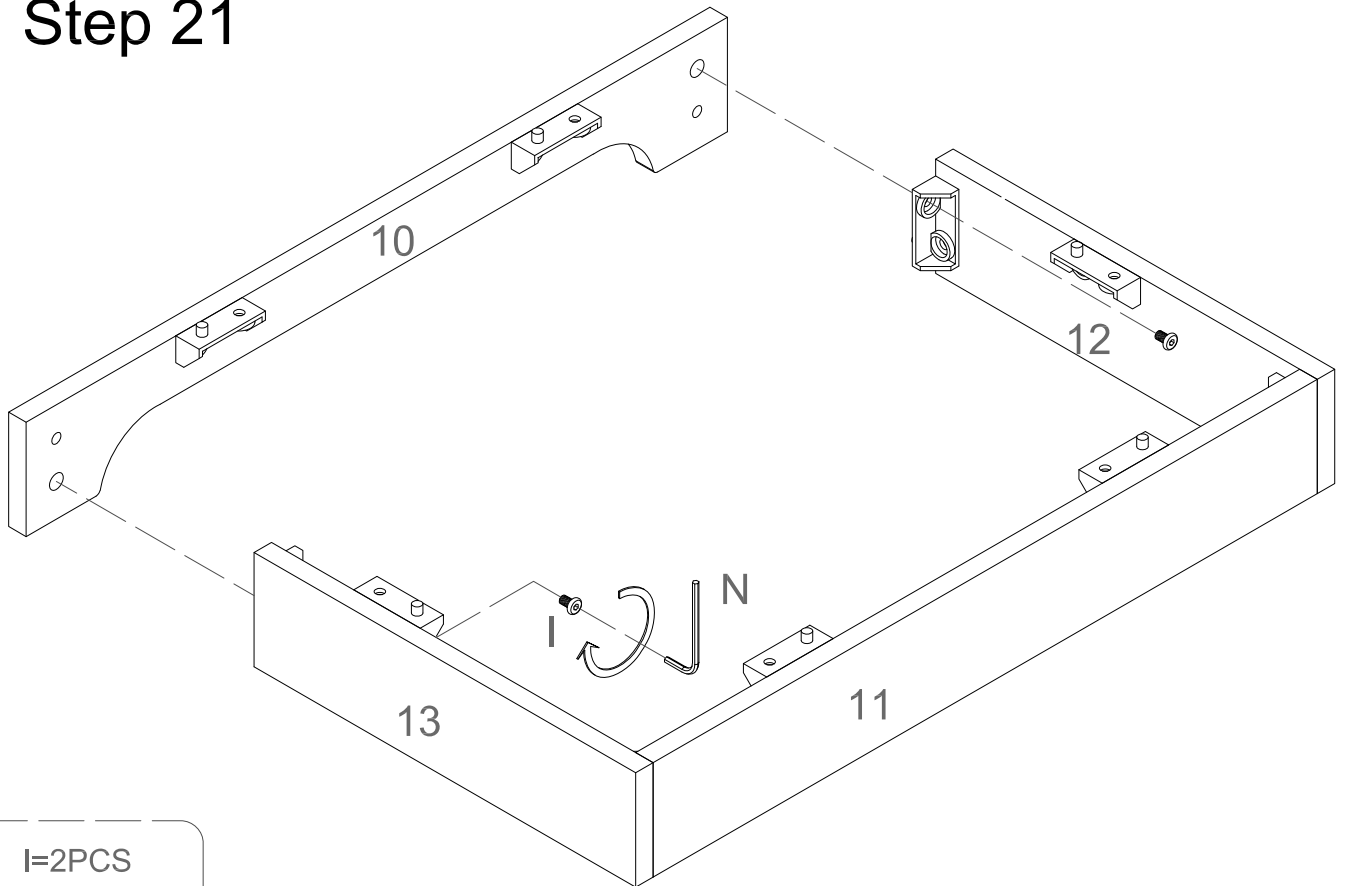
Step 20



I=2PCS



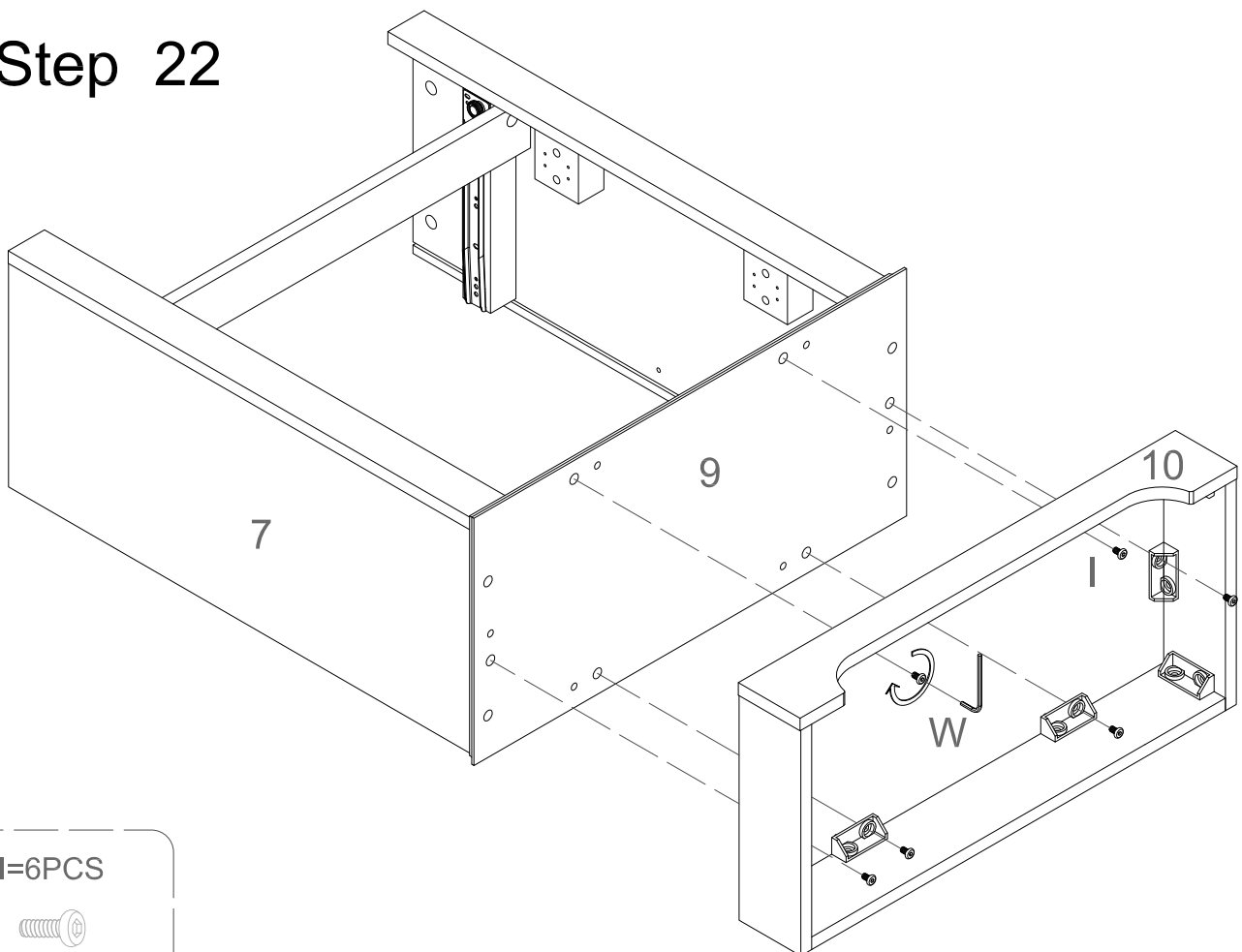
Step 21



I=2PCS



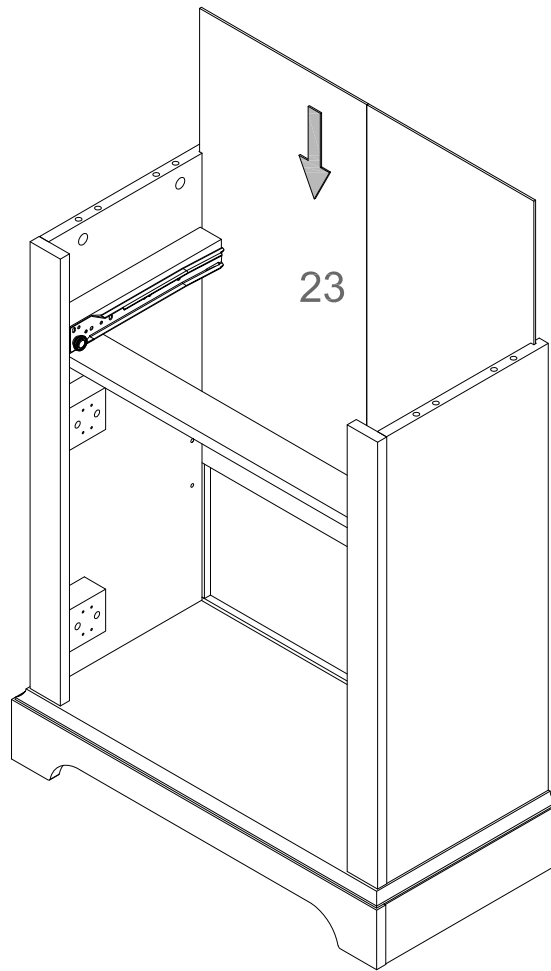
Step 22



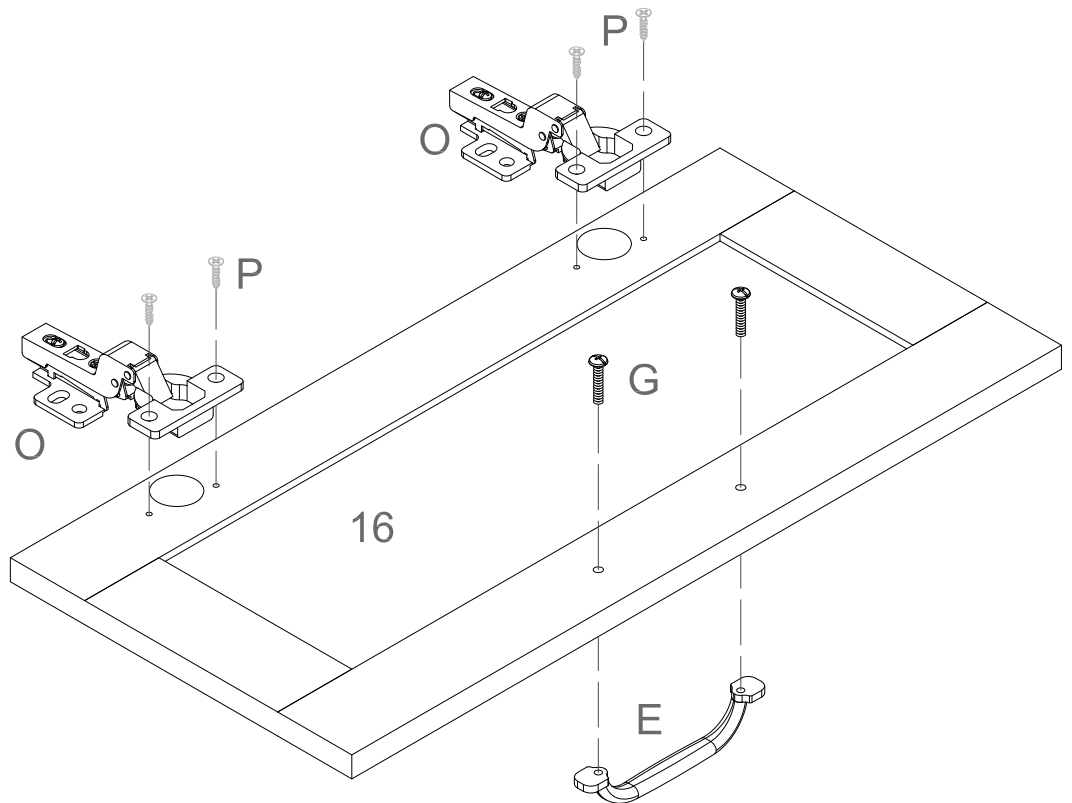
I=6PCS



Step 23



Step 24



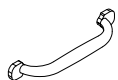
O=4PCS



P=8PCS



E=2PCS

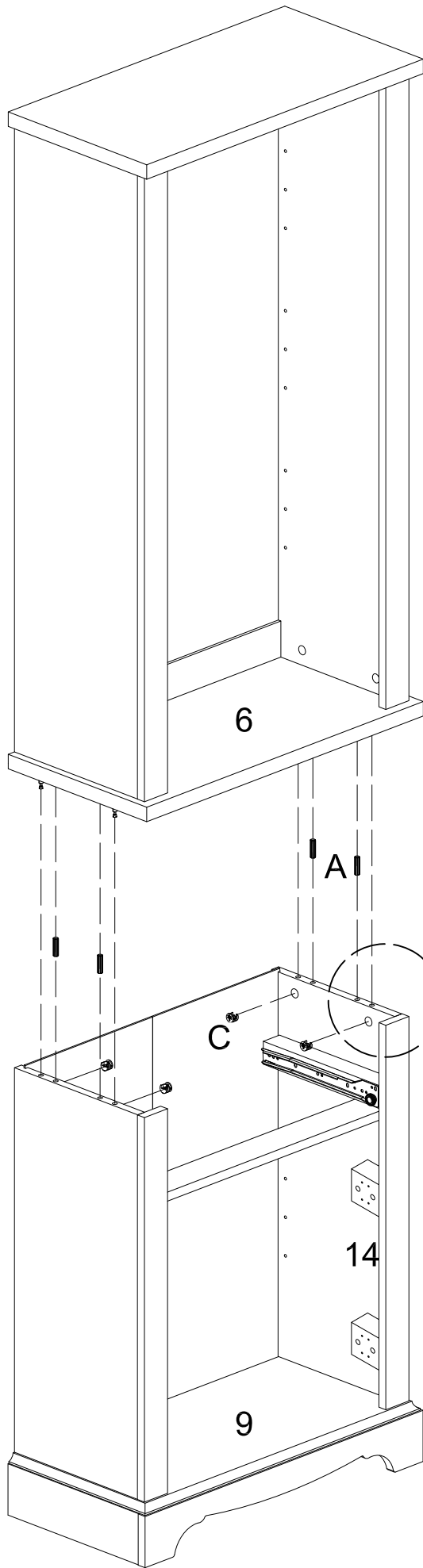


G=4PCS




X2

Step 25

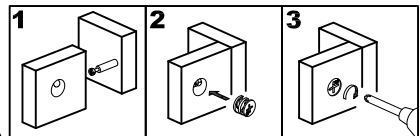



CAUTION: Heavy! You may need assistance with this step.

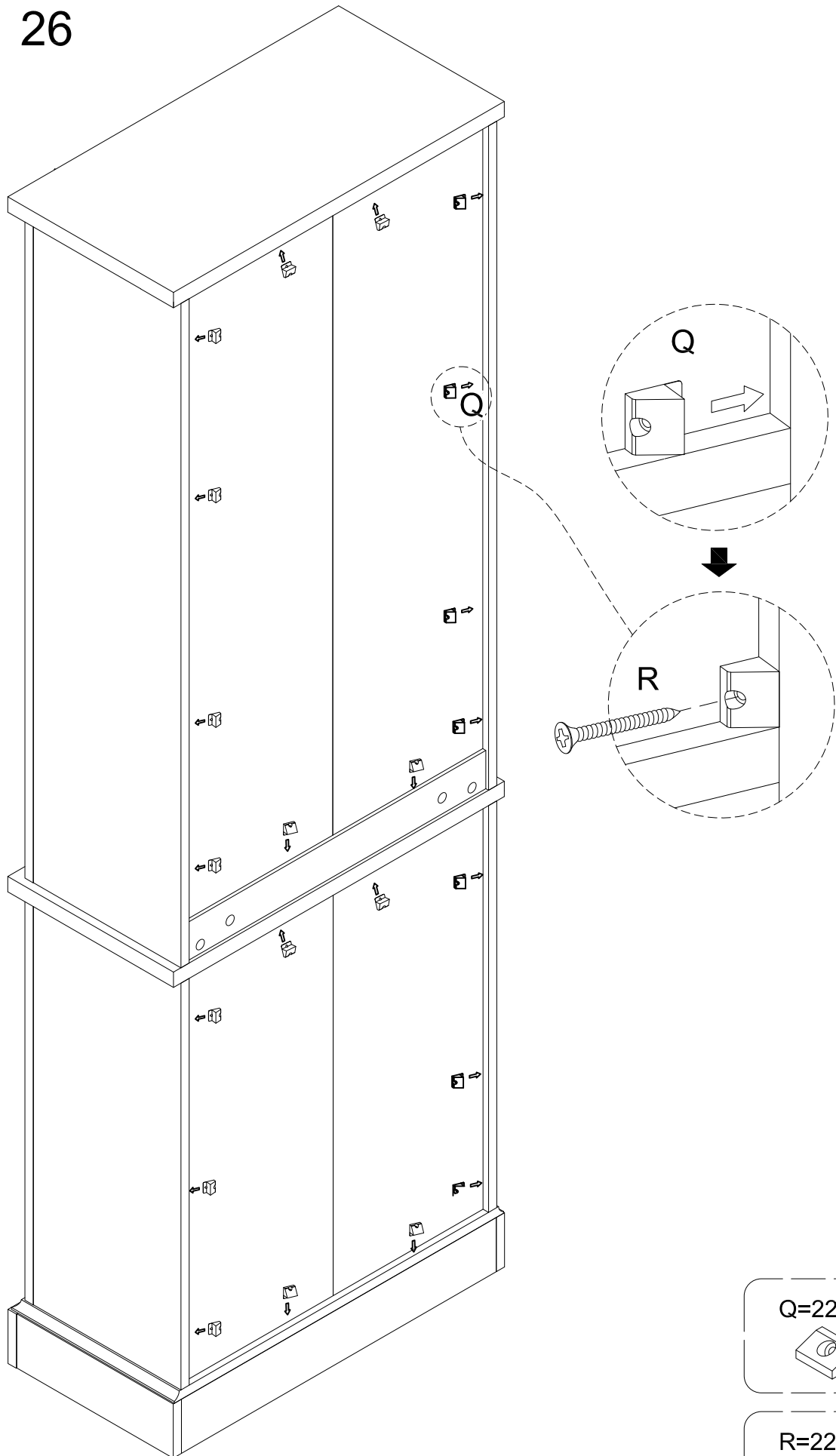
A=4PCS




C=4PCS



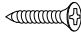
Step 26



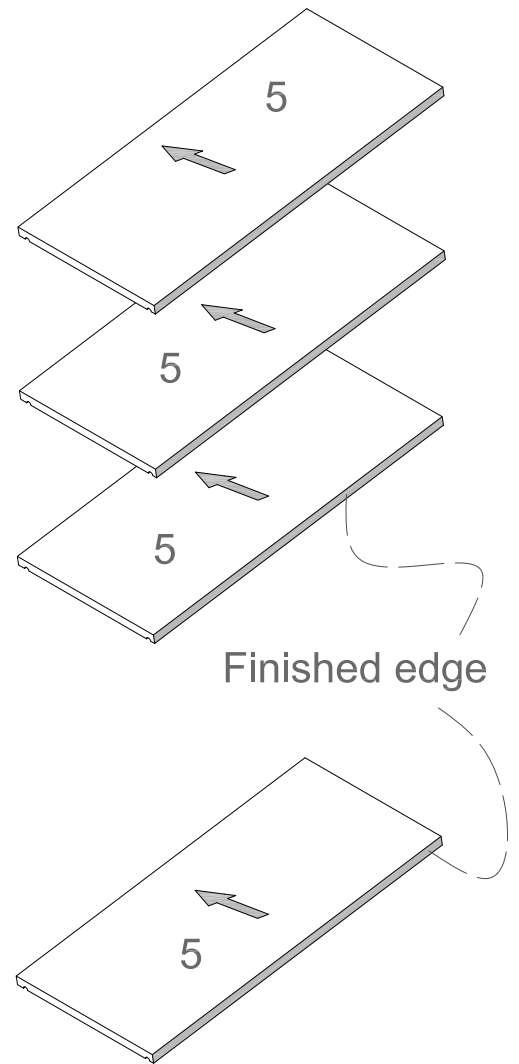
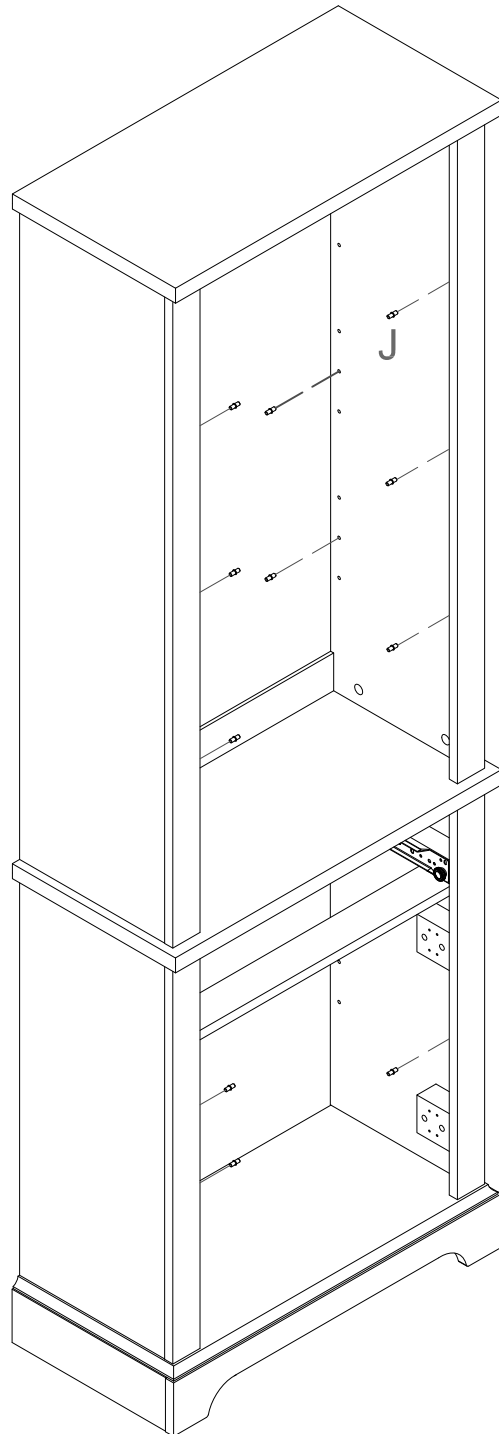
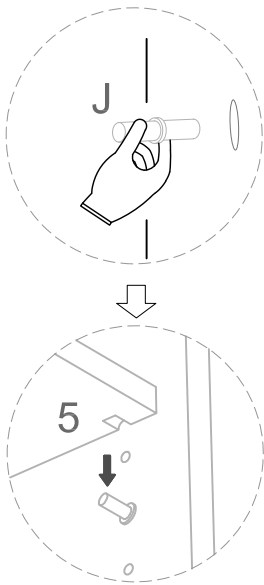
Q=22PCS



R=22PCS



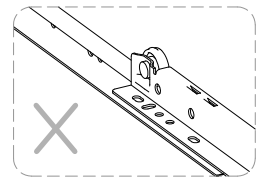
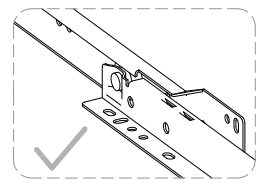
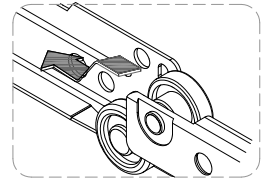
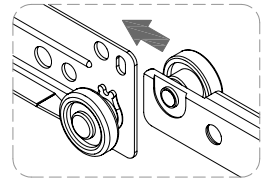
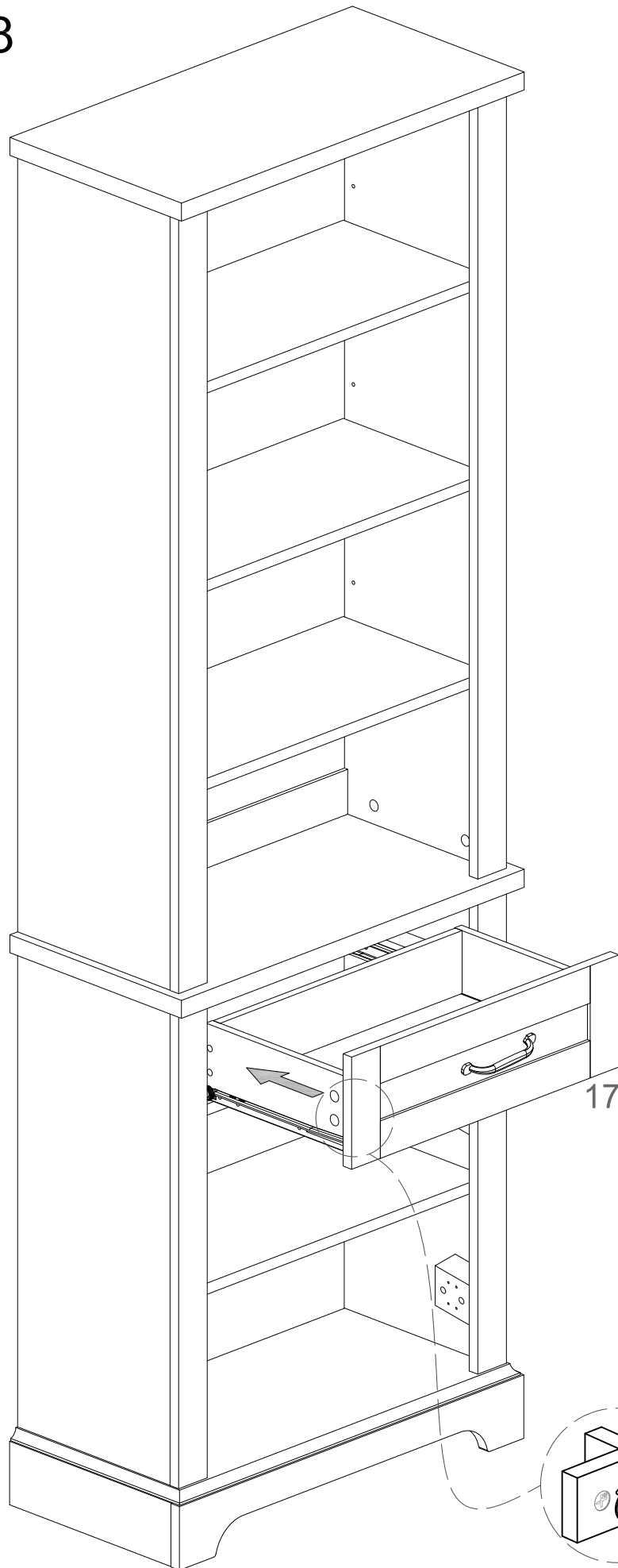
Step 27



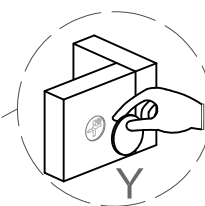
J=12PCS



Step 28

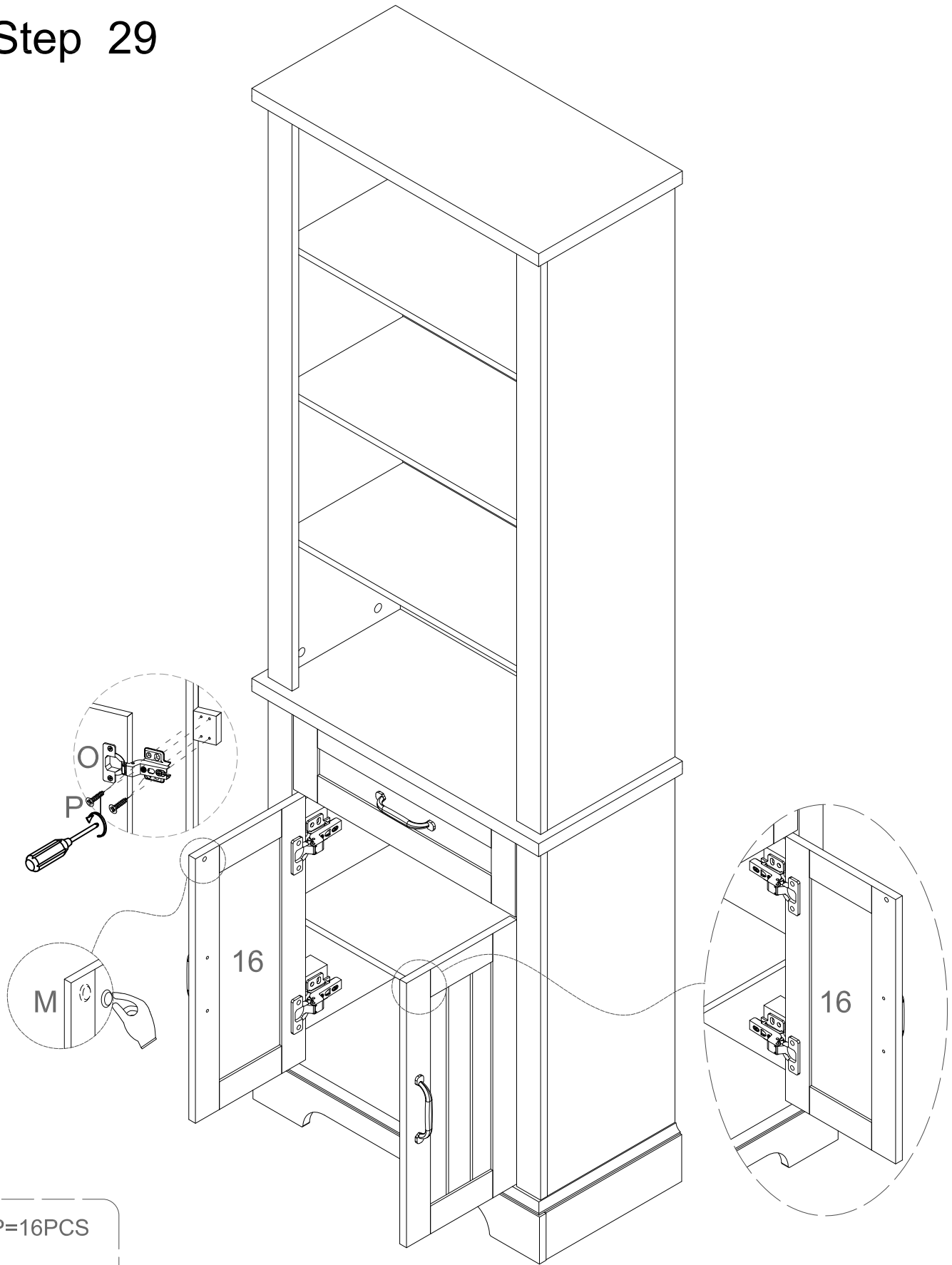


17



Y=4PCS
0

Step 29



P=16PCS

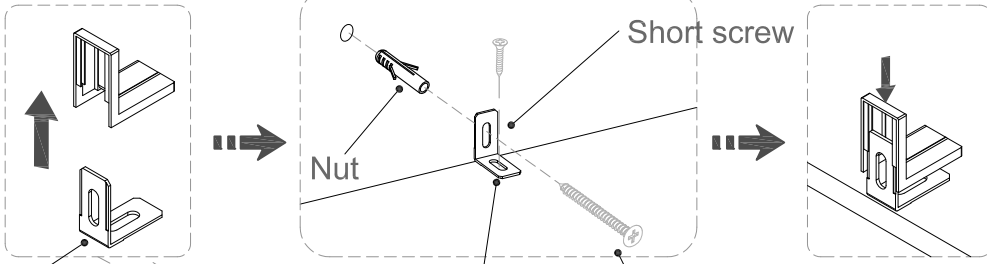
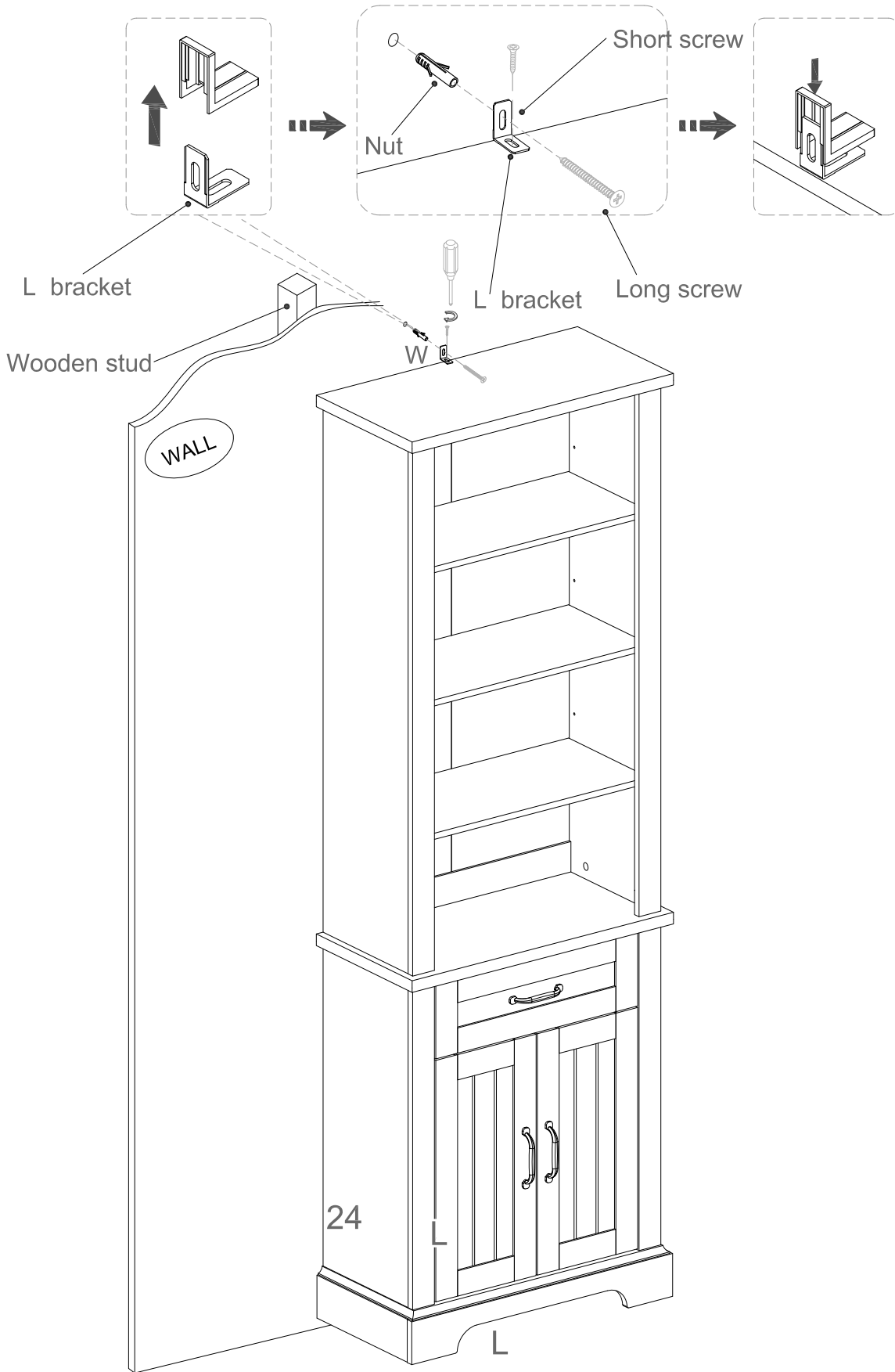



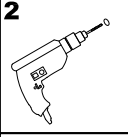

M=2PCS



Step 30

Serious or fatal injuries can occur from furniture tipping over. To prevent the furniture from tipping over we recommend that it is permanently fixed to the wall. Wall anchor and hardware are included with this product. Please make sure hardware is suitable for your walls before installing, as different wall materials may require different types of anchors.



- 1 
- 2 
- 3 

Step 31



Final Assembly