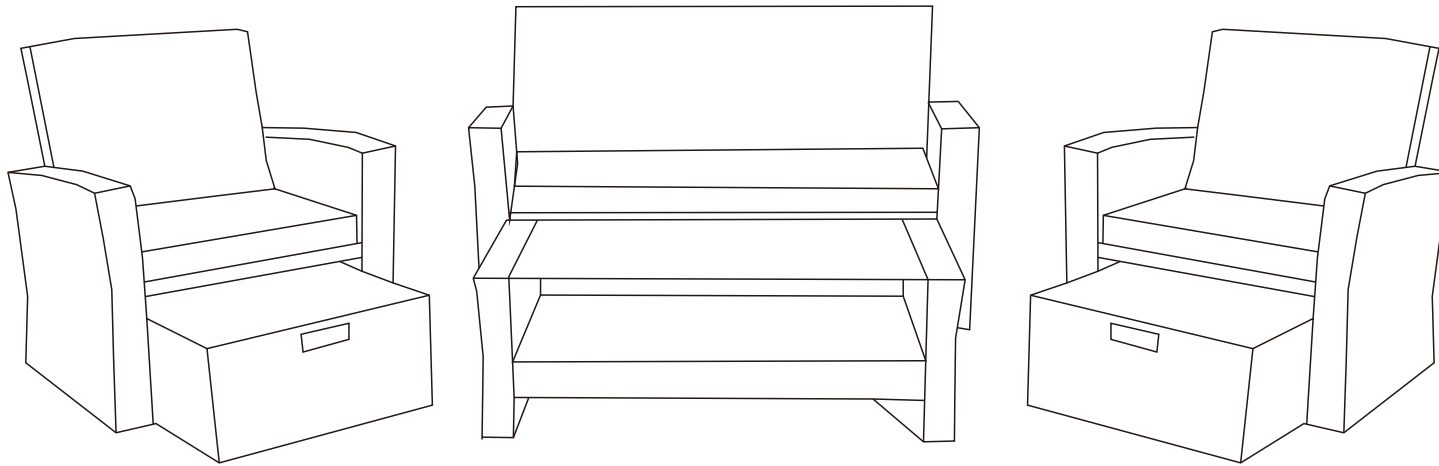


6-Piece Rattan Patio Conversation Set



Owner's Manual

Feel free to contact us anytime with questions or comments at Support@risingstarcreator.com

NOTES

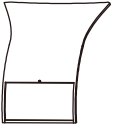
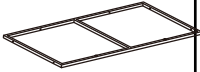
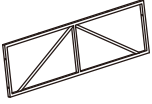
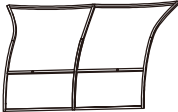
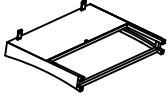
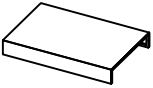


- Do not put hot items on or near the furniture. Keep away from sources of ignition.
- Children should not climb or jump on the furniture.
- Do not clean the furniture with harsh cleansers or polish. Stains may be removed by using a mild soap solution and a damp cloth.
- To obtain the longest life span of your outdoor products, minimizing the extended exposure to direct rain, snow, and sunshine is recommended. Whenever possible, cover the products or place them under patio umbrellas or awnings.
- Read each step carefully before starting.
- Have a check to make sure all parts are included.
- Do not tighten all screws fully before the item is well assembled.

LIMITED TERM WARRANTY


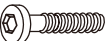



ONE (1) YEAR FROM DATE OF PURCHASE

- We warrant that the merchandise is free from manufacturing defects (workmanship and/or material) and will either give credit or replace defective parts for a period of up to one (1) year from the date of purchase in accordance with the conditions set forth below.
- If a manufacturing defect is found, you may be required to submit damaged digital images or videos via Support@risingstarcreator.com. It will help us to resolve the issue more quickly.
- If replacement is required in accordance with this warranty and the defective material or merchandise has been discontinued or unavailable, we reserve the right to select and supply similar merchandise or offer full credit for the merchandise; otherwise, the same material or merchandise will be supplied for replacement purposes.





Parts List Box A

C  2 pcs	D  1 pc	E  1 pc	F  1 pc	G  2 pcs
I  1 pc	J  1 pc	K  BACK CUSHION 4 pcs		

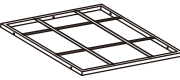
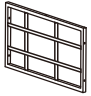
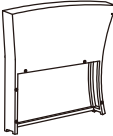



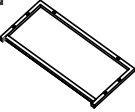


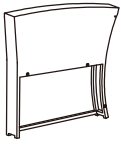
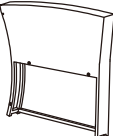
Hardware List

#1  M6mm 2 pcs	#2  M6*30mm 6 pcs	#3  M6*35mm 52 pcs	#4  M6*100mm 6 pcs	#5  M6 64 pcs
#6				

Extra Hardware List

#2  M6*30mm 1 pc	#3  M6*35mm 2 pcs	#4  M6*100mm 1 pc	#5  M6 5 pcs
--	--	--	---

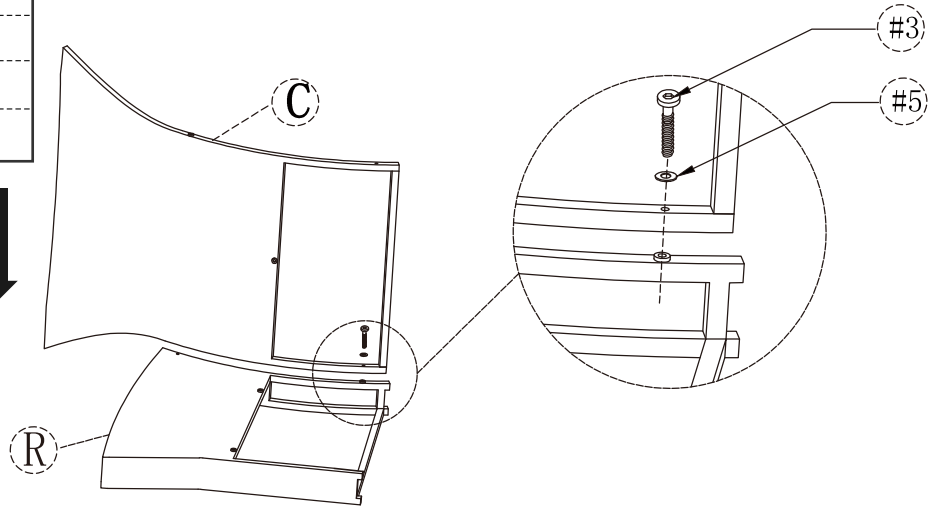
Parts List Box B

A  2 pcs	B  2 pcs	L  1 pc	M  1 pc	N  CUSHION 4 pcs
O  4 pcs	P  2 pcs	Q  2 pcs	T  2 pcs	R  2 pcs
S  2 pcs				

Single Chair Assembly

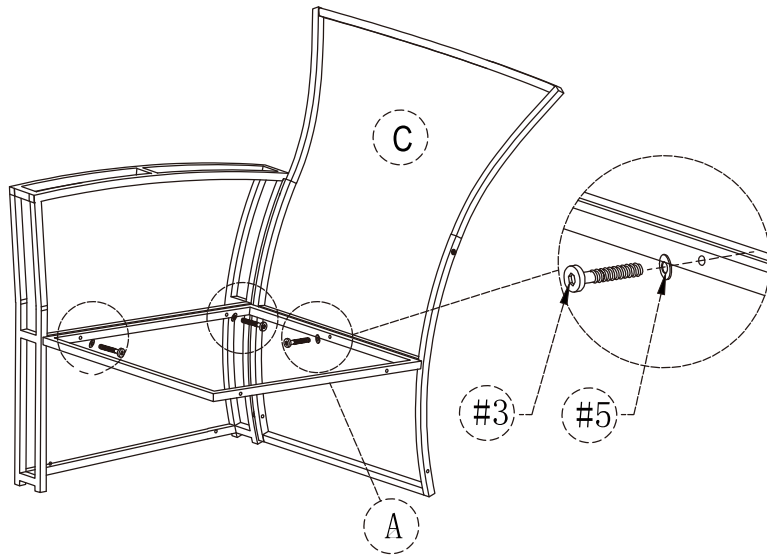
Step 1

R*1
C*1
#3*1
#5*1



Step 2

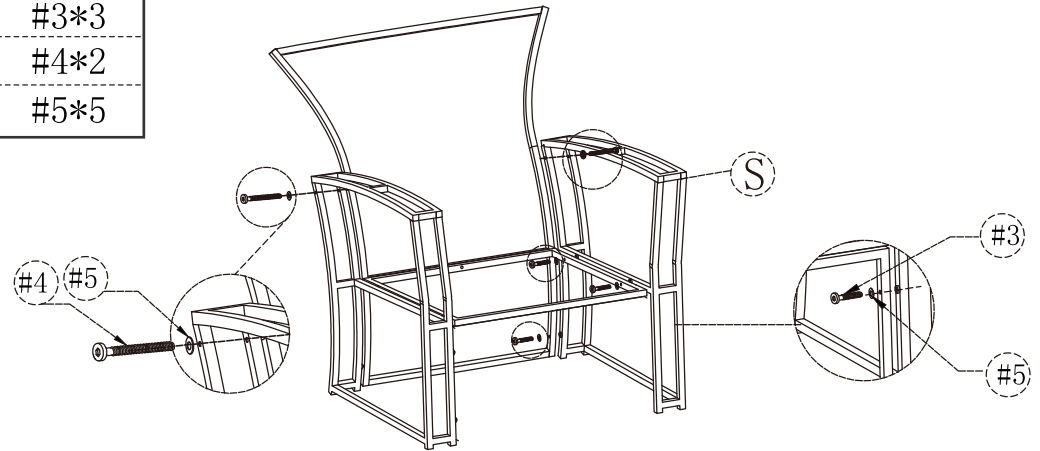
A*1
C*1
#3*3
#5*3



Single Chair Assembly

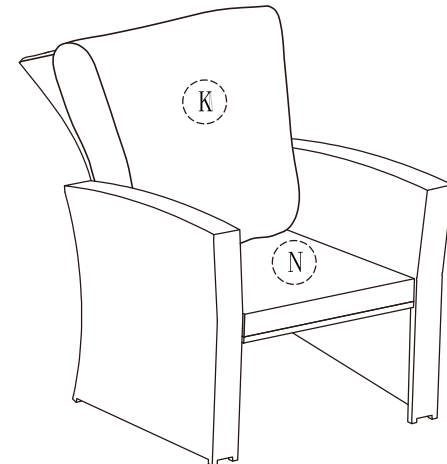
Step 3

S*1
#3*3
#4*2
#5*5



Step 4

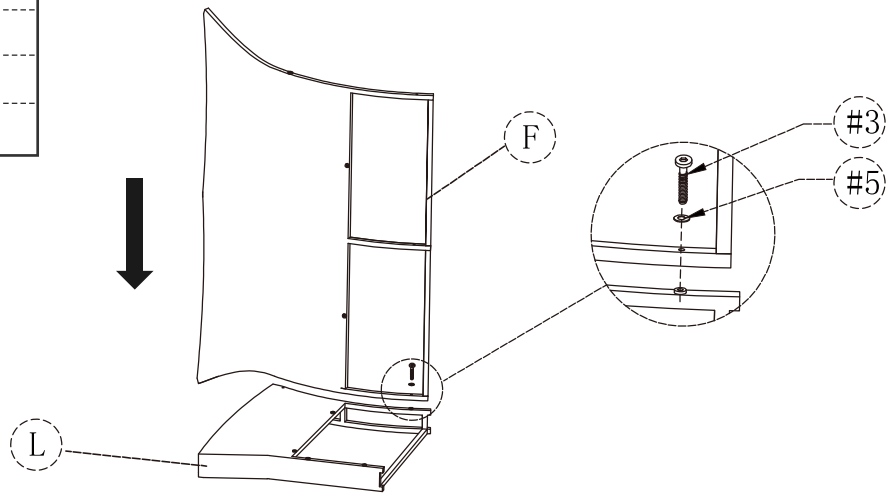
K*1
N*1



Double Chair Assembly

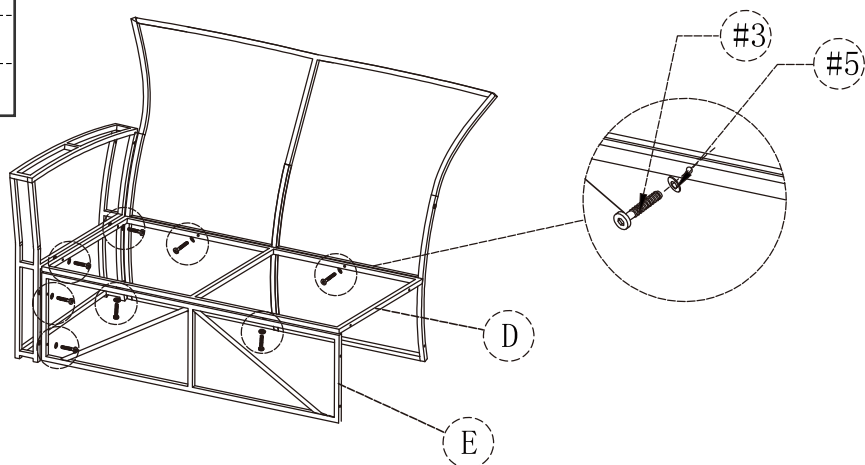
Step 1

L*1
F*2
#3*1
#5*1



Step 2

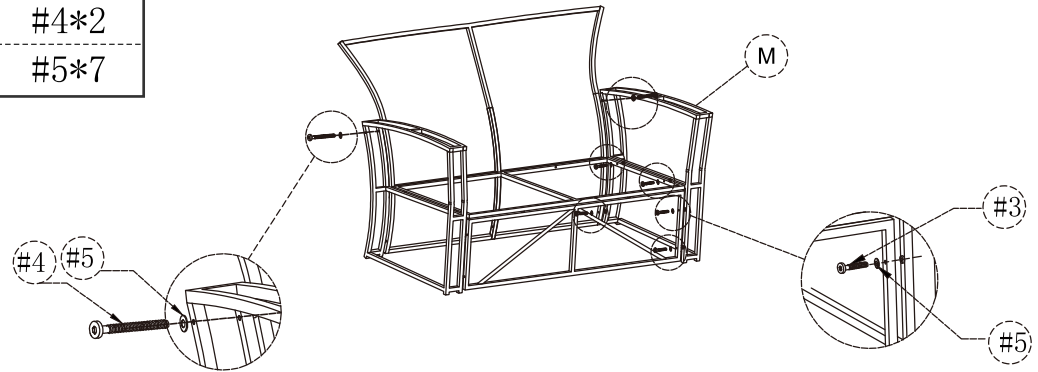
D*1
E*2
#3*8
#5*8



Double Chair Assembly

Step 3

M*1
#3*5
#4*2
#5*7



Step 4

K*1
N*1

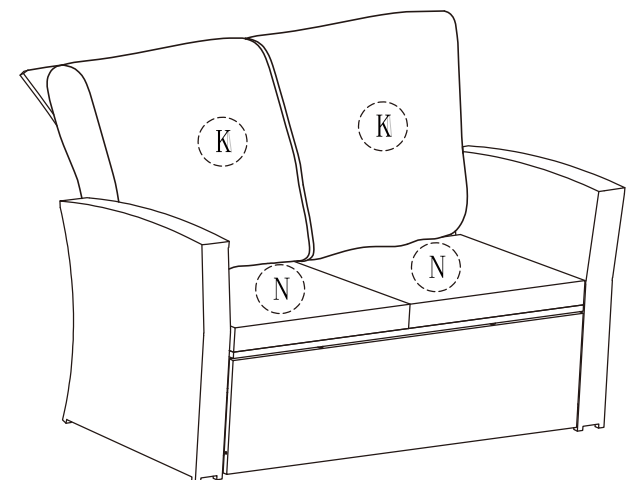
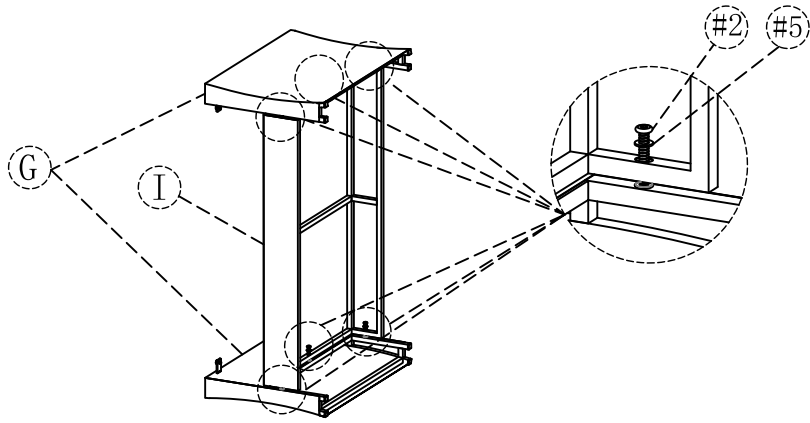


Table Assembly

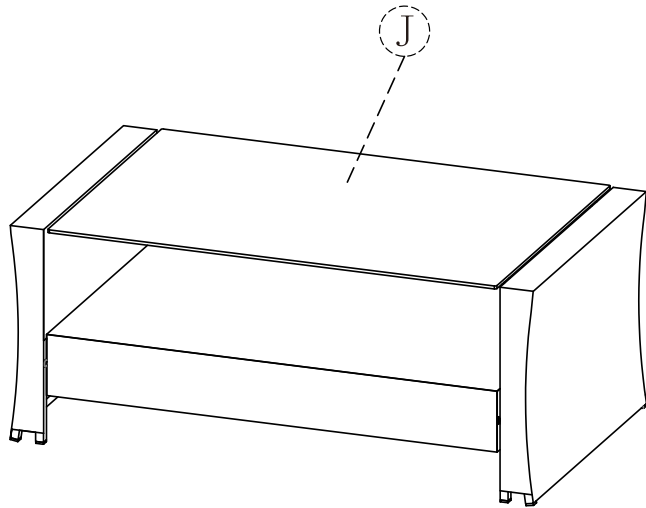
Step 1

- G*2
- I*1
- #2*6
- #5*6



Step 2

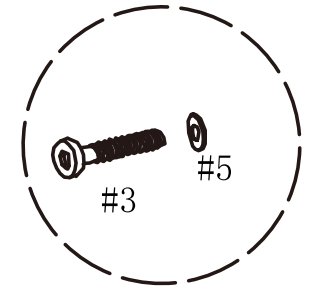
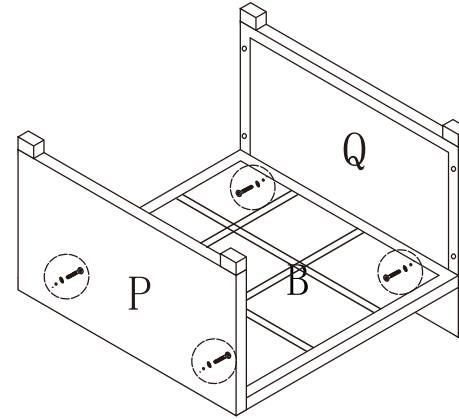
- J*1



Pedal Assembly

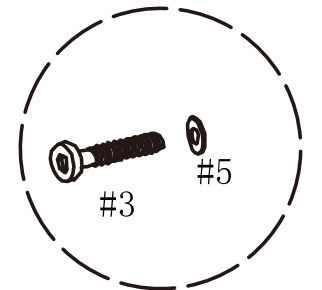
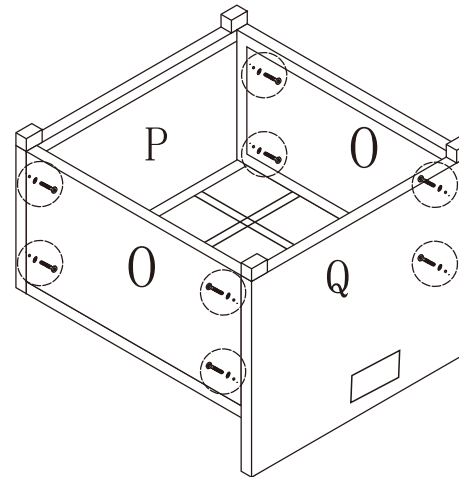
Step 1

- B*1
- P*1
- Q*1
- #3*4
- #5*4



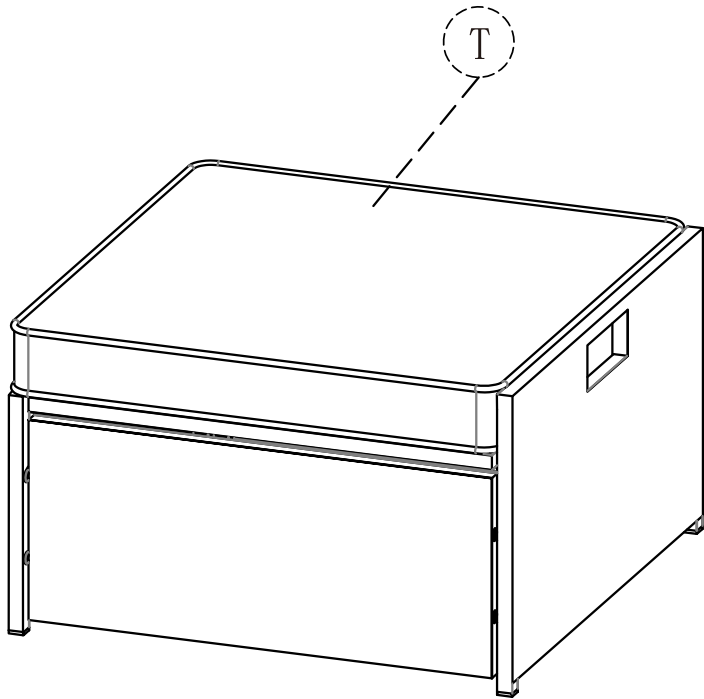
Step 2

- O*2
- #3*8
- #5*8



Pedal Assembly

Step 3



AFTER-SALE POLICY

For return reason:

Wrong purchase, bought by mistake, no longer needed, doesn't meet expectation, a size smaller than expectation, customer need to cover the return shipping fee.

For cancel order:

Customer needs to pay for shipping fee and carrier handle fee if the item has been shipped out.

For change address: customer needs to pay for extra shipping fee and carrier handle fee if the item has been shipped out.

Customer Service:

Any problem with the product or shipping issue, please feel free to contact us, we will try our best to serve and help.