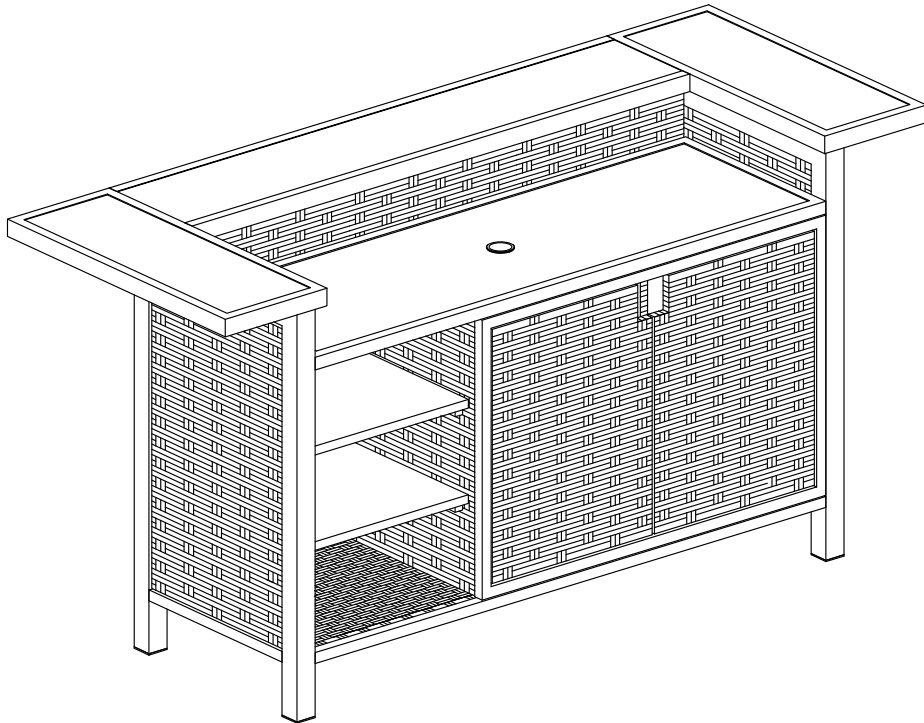
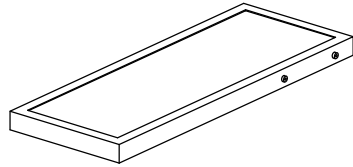


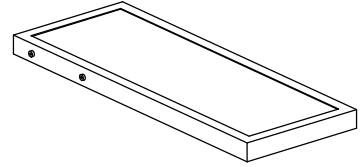
Outdoor Bar Table

ASSEMBLY MANUAL

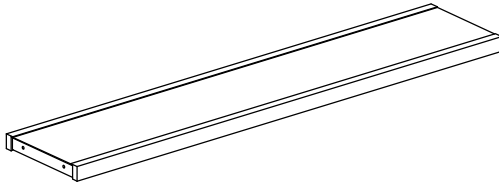




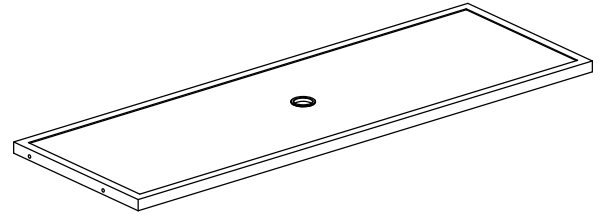
A 1X



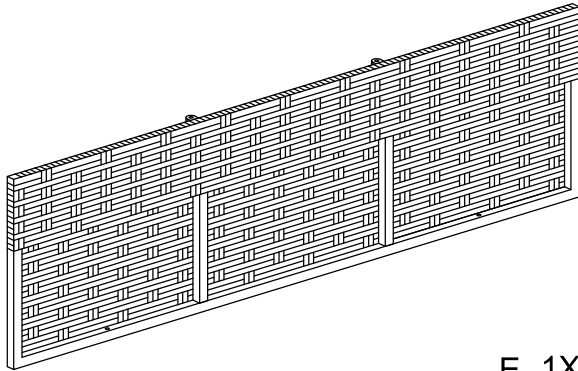
B 1X



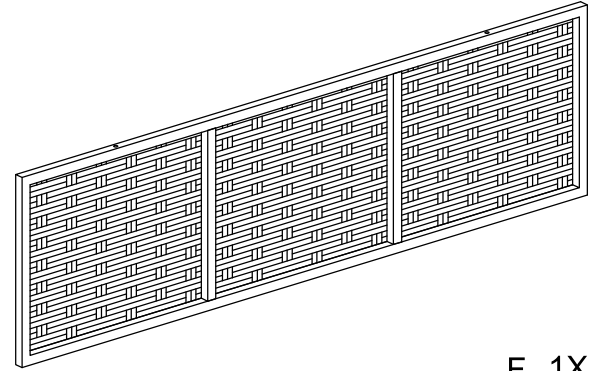
C 1X



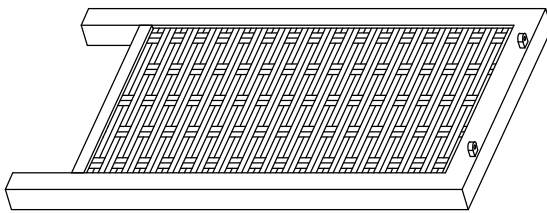
D 1X



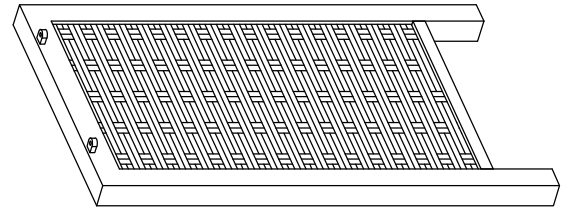
E 1X



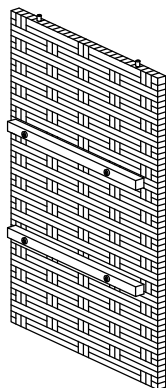
F 1X



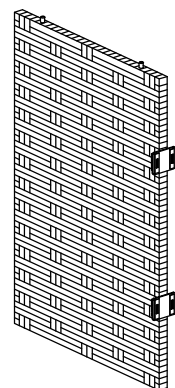
G 1X



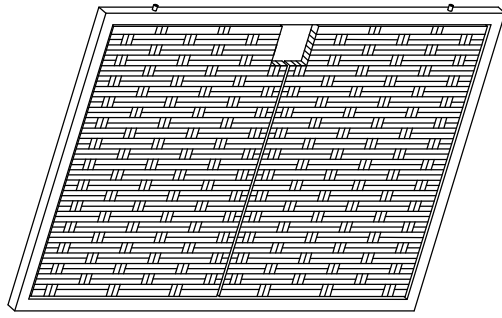
H 1X



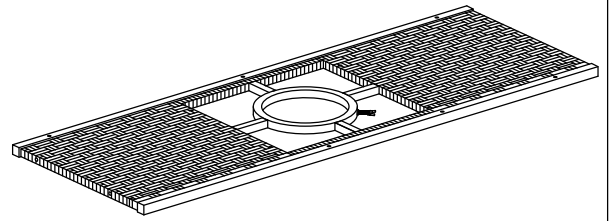
I 1X



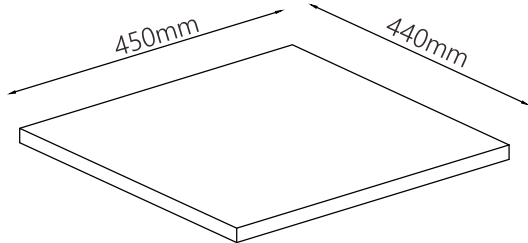
J 1X



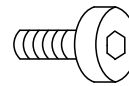
K 1X



L 1X

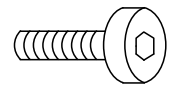


M 3X



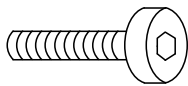
M6X25

N 6X



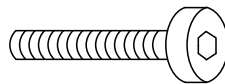
M6X35

O 12X



M6X42

P 10X



M6X60

Q 2X



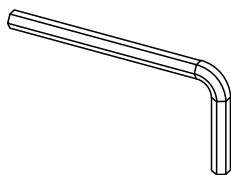
M6

R 2X

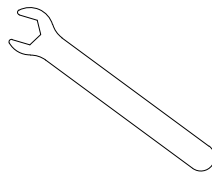


D6

S 32X



T 1X



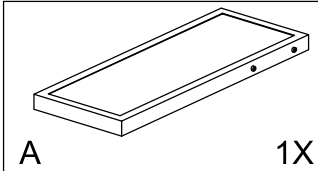
U 1X



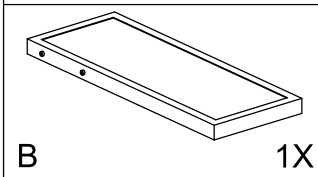
READ & SAVE BELOW INSTRUCTIONS BEFORE ASSEMBLY

1. PLEASE SEPARATE AND IDENTIFY ALL PARTS, MAKING SURE THAT YOU HAVE ALL OF THE PARTS LISTED.
2. TO AVOID ANY SCRATCH DURING ASSEMBLY, PLEASE ASSEMBLE ON A SOFT MAT OR SIMILAR.
3. PLEASE ASSEMBLE STEP BY STEP AND FOLLOW THE INSTRUCTIONS.
4. WASHERS MUST BE USED.
5. WHILE EACH SCREW AND NUT IS PROPERLY FASTENED, DO NOT OVER FASTEN IT.
6. DO NOT COMPLETELY FASTEN EACH SCREW AND NUT UNTIL ALL THE SCREWS ARE PROPERLY FIXED.

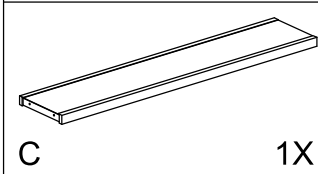
Tabletop Assembly



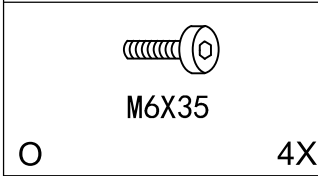
A 1X



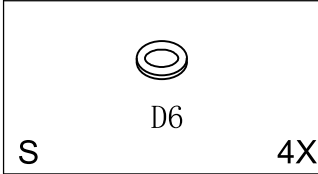
B 1X



C 1X



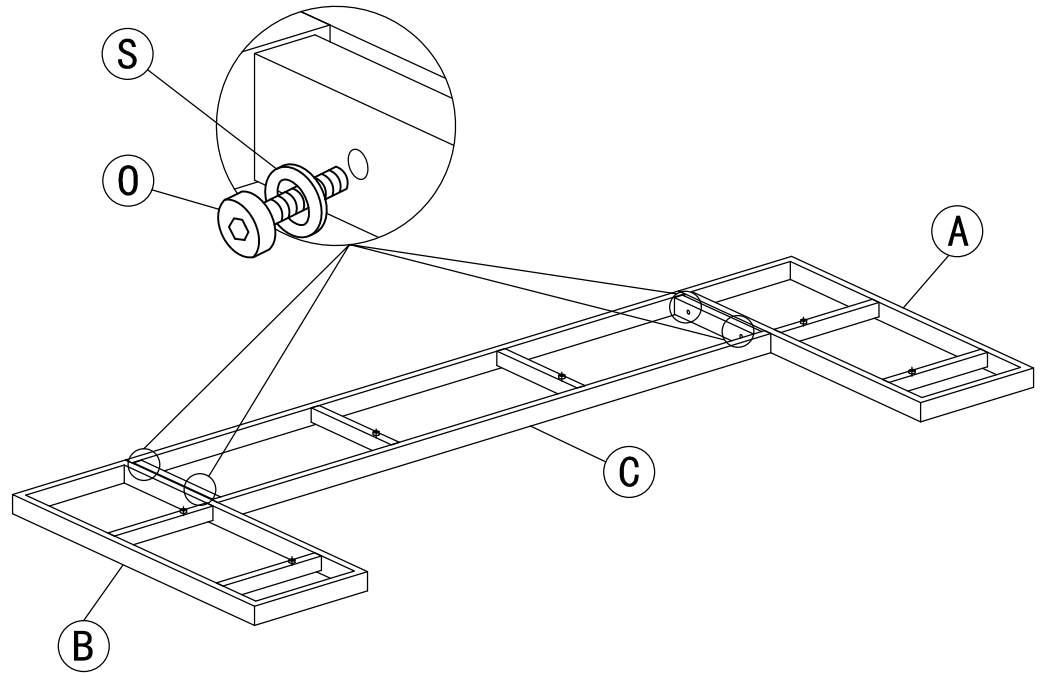
O 4X



S 4X

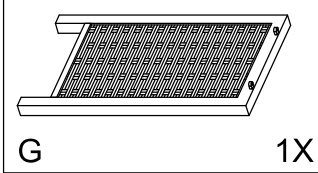


T 1X

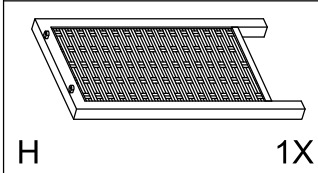


Step1

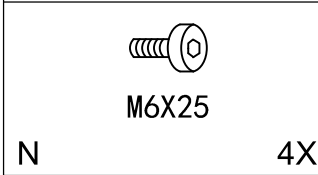
Table Leg Assembly



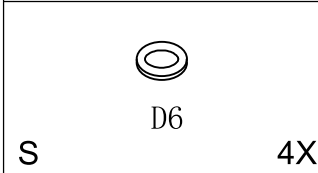
G 1X



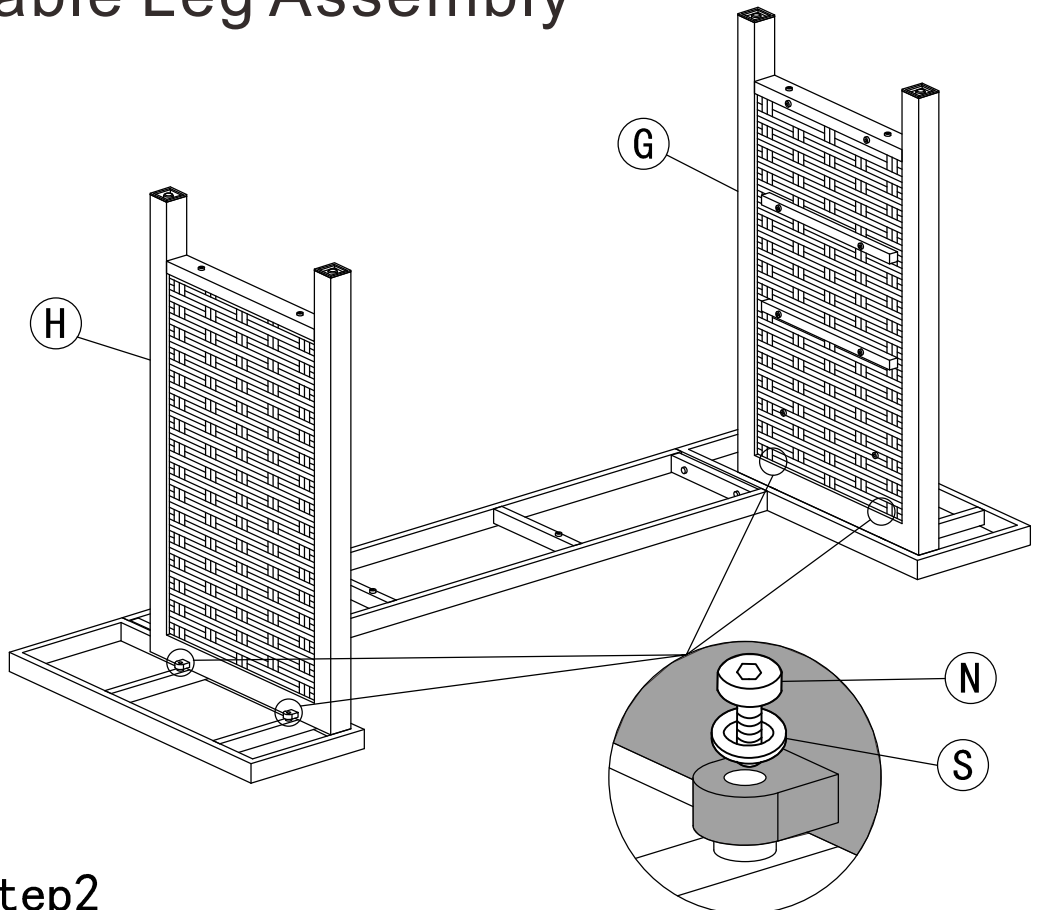
H 1X



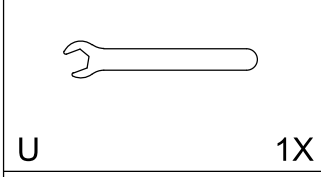
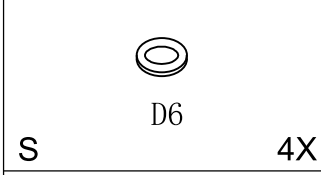
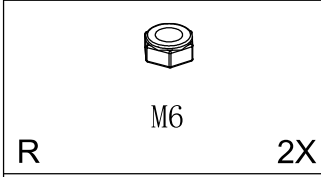
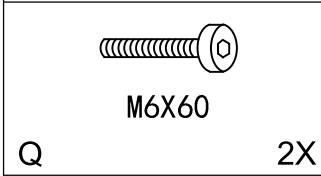
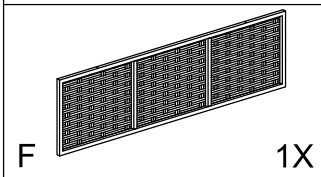
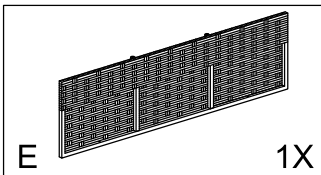
N 4X



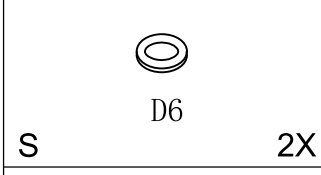
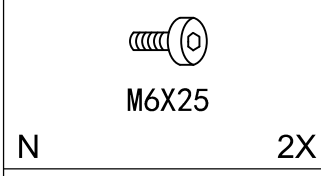
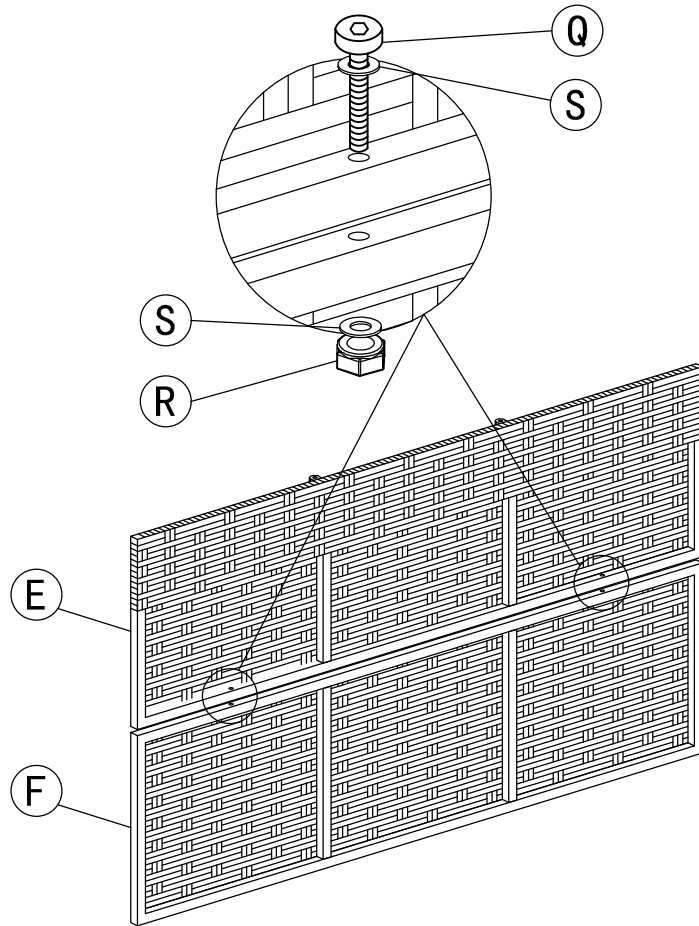
S 4X



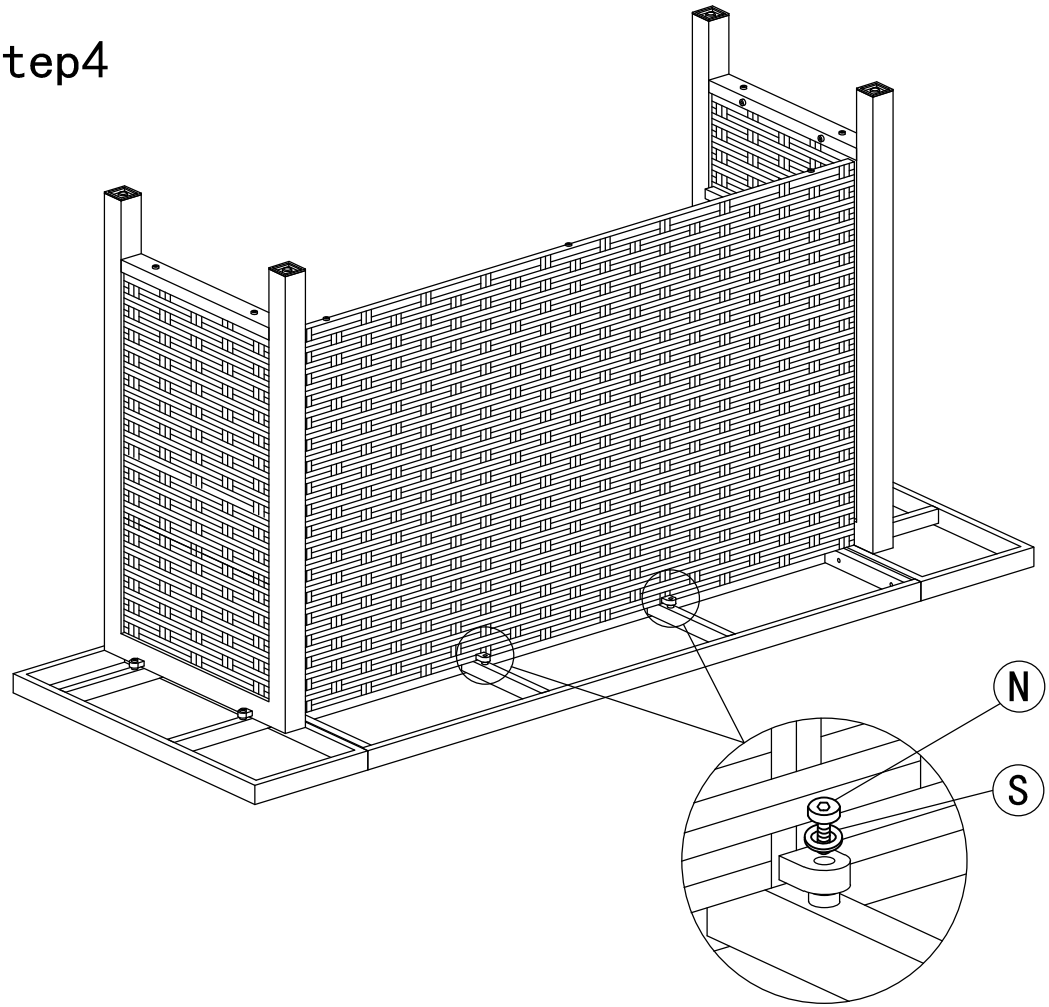
Step2

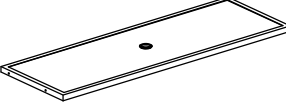
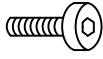



Step3

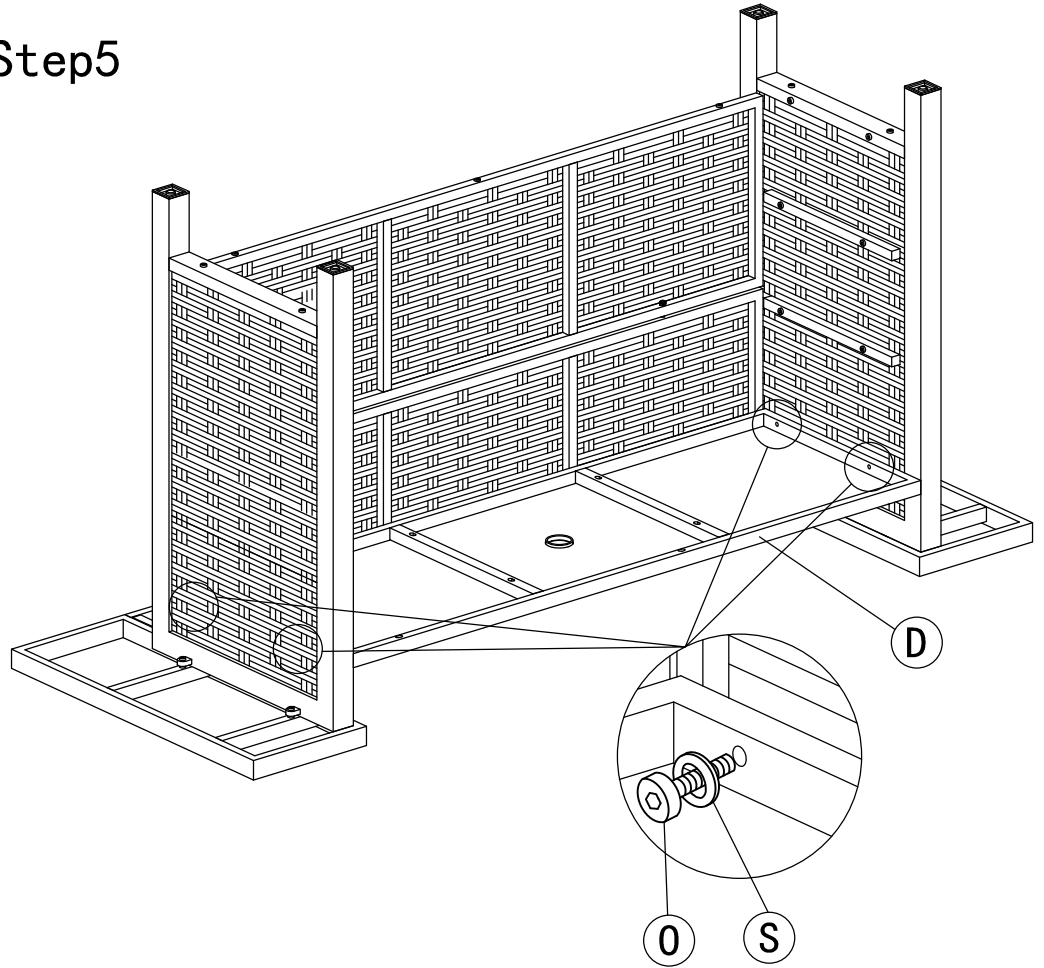


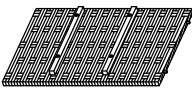
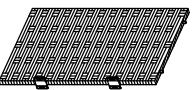
Step4



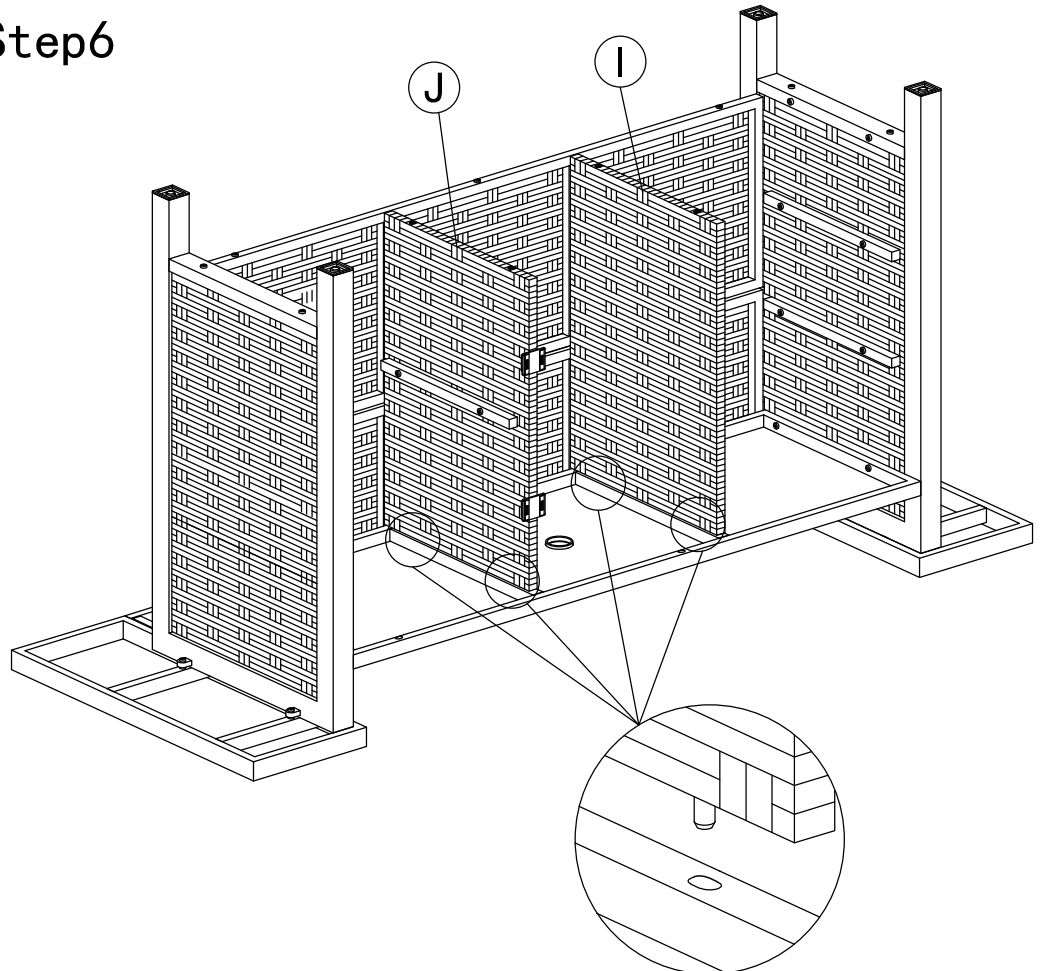
	1X
 <p>M6X35</p>	4X
 <p>D6</p>	4X

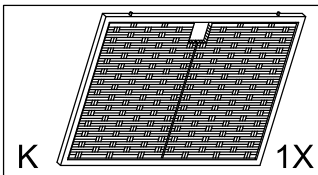
Step5



	1X
	1X

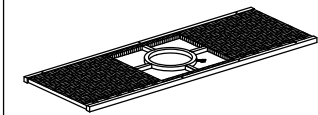
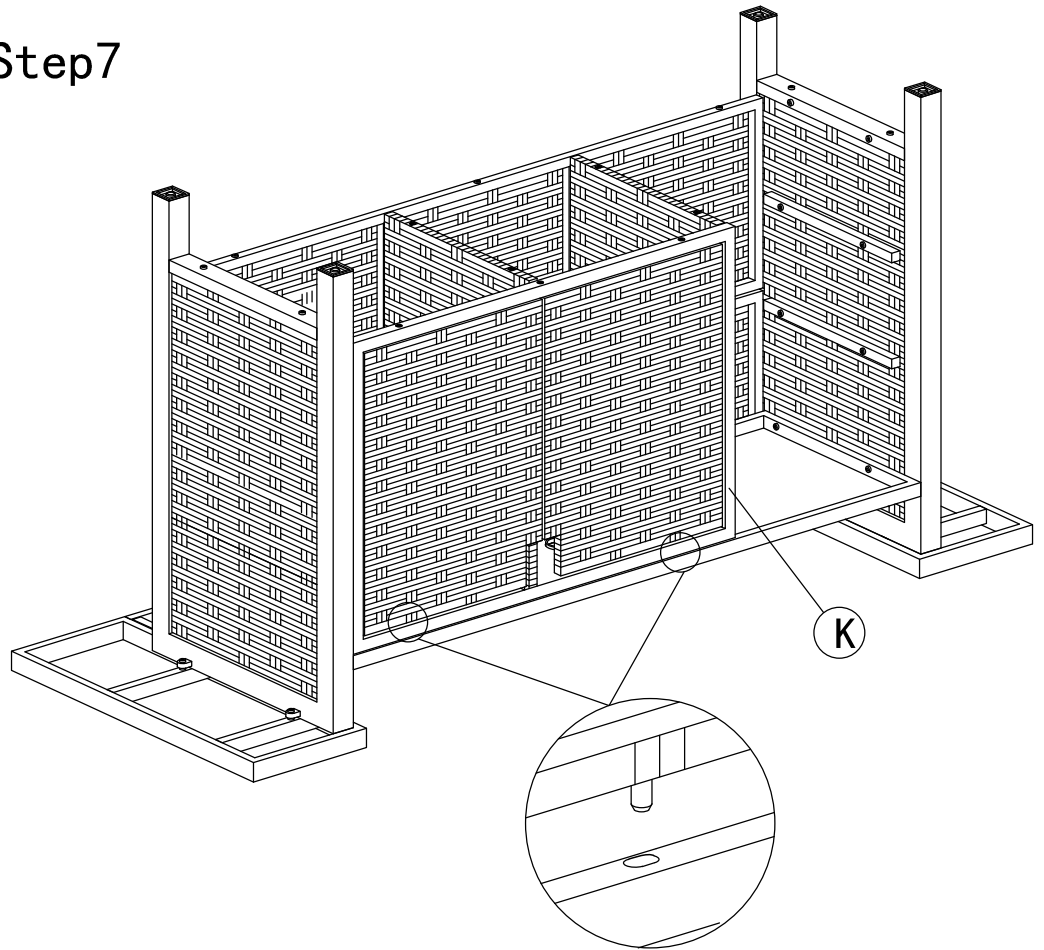
Step6





K 1X

Step 7

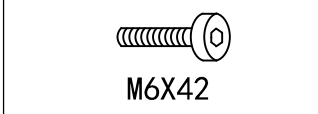


L 1X

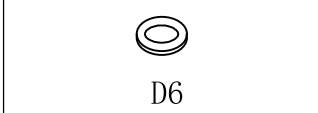
Step 8



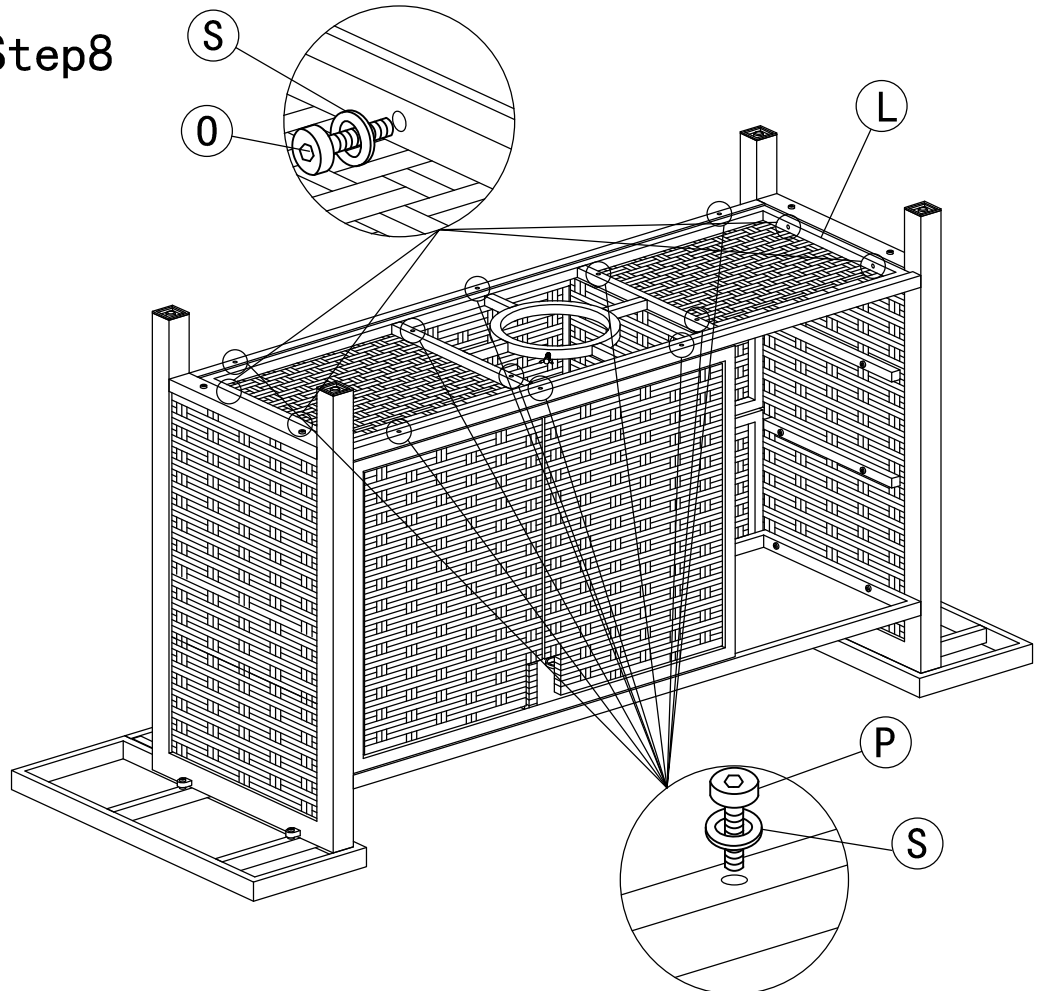
O 4X

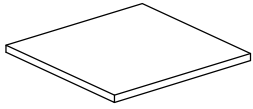


P 10X



S 14X

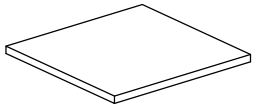
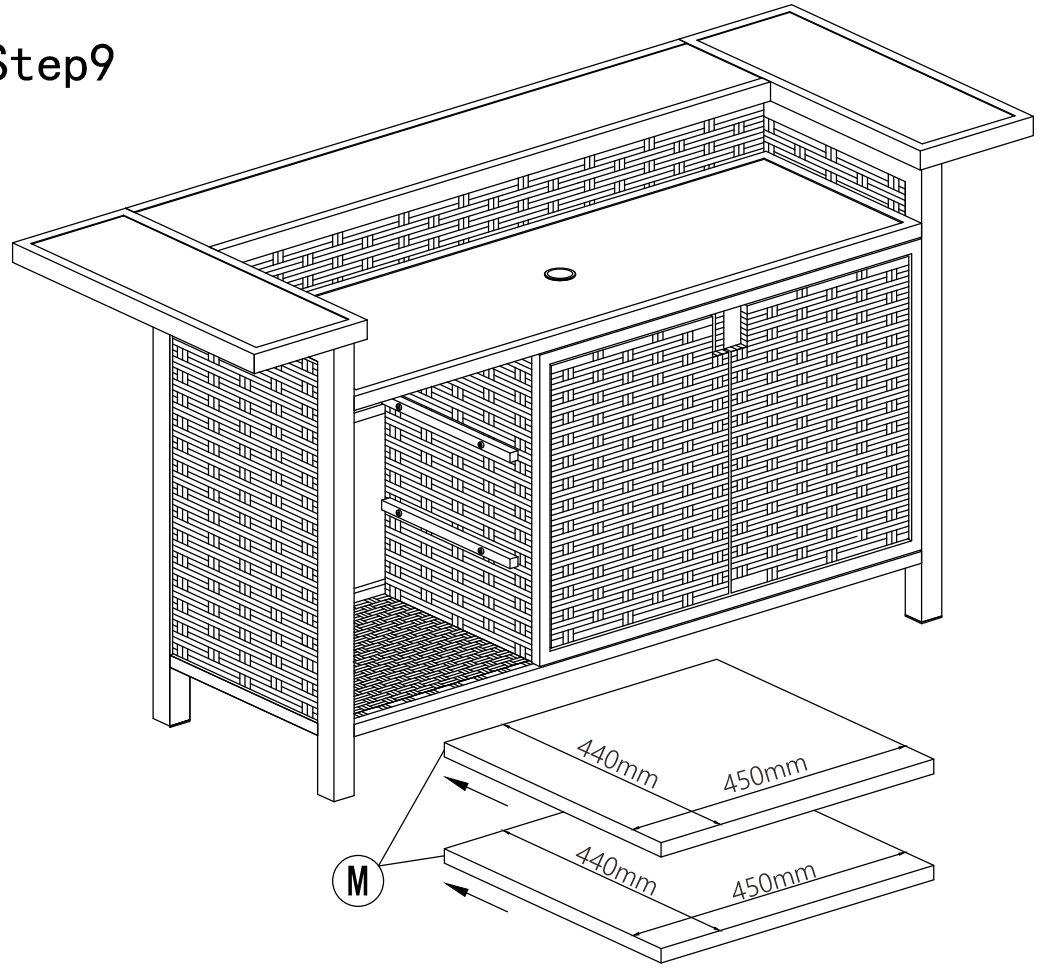




M

2X

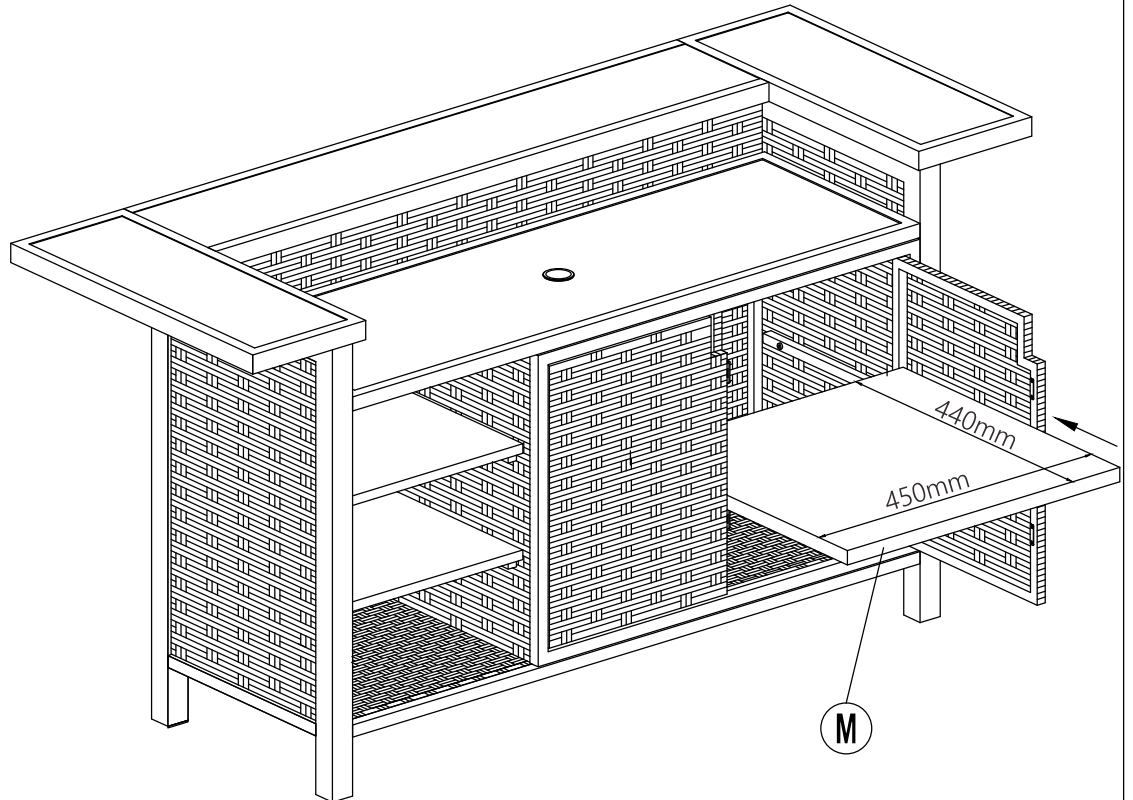
Step9



M

1X

Step10



Step11

