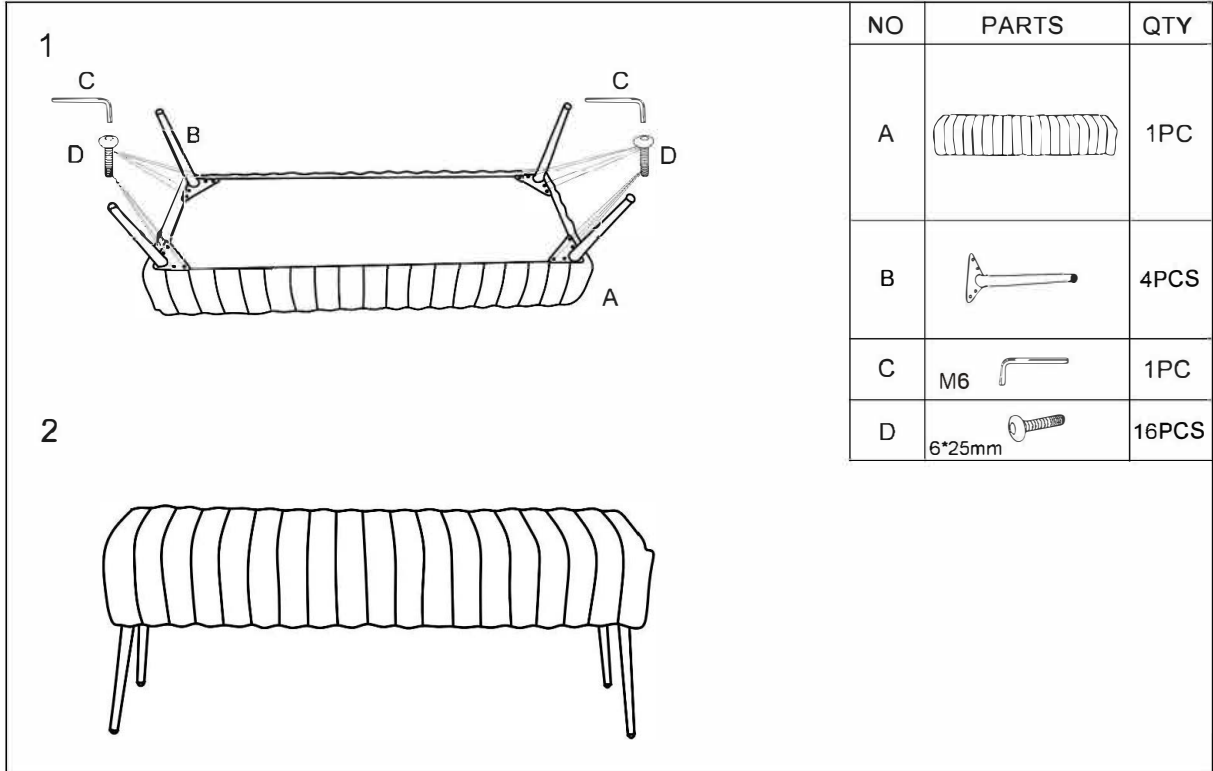






95.2182722



| NO | PARTS | QTY |
|----|---|-------|
| A |  | 1PC |
| B |  | 4PCS |
| C | M6  | 1PC |
| D |  6*25mm | 16PCS |