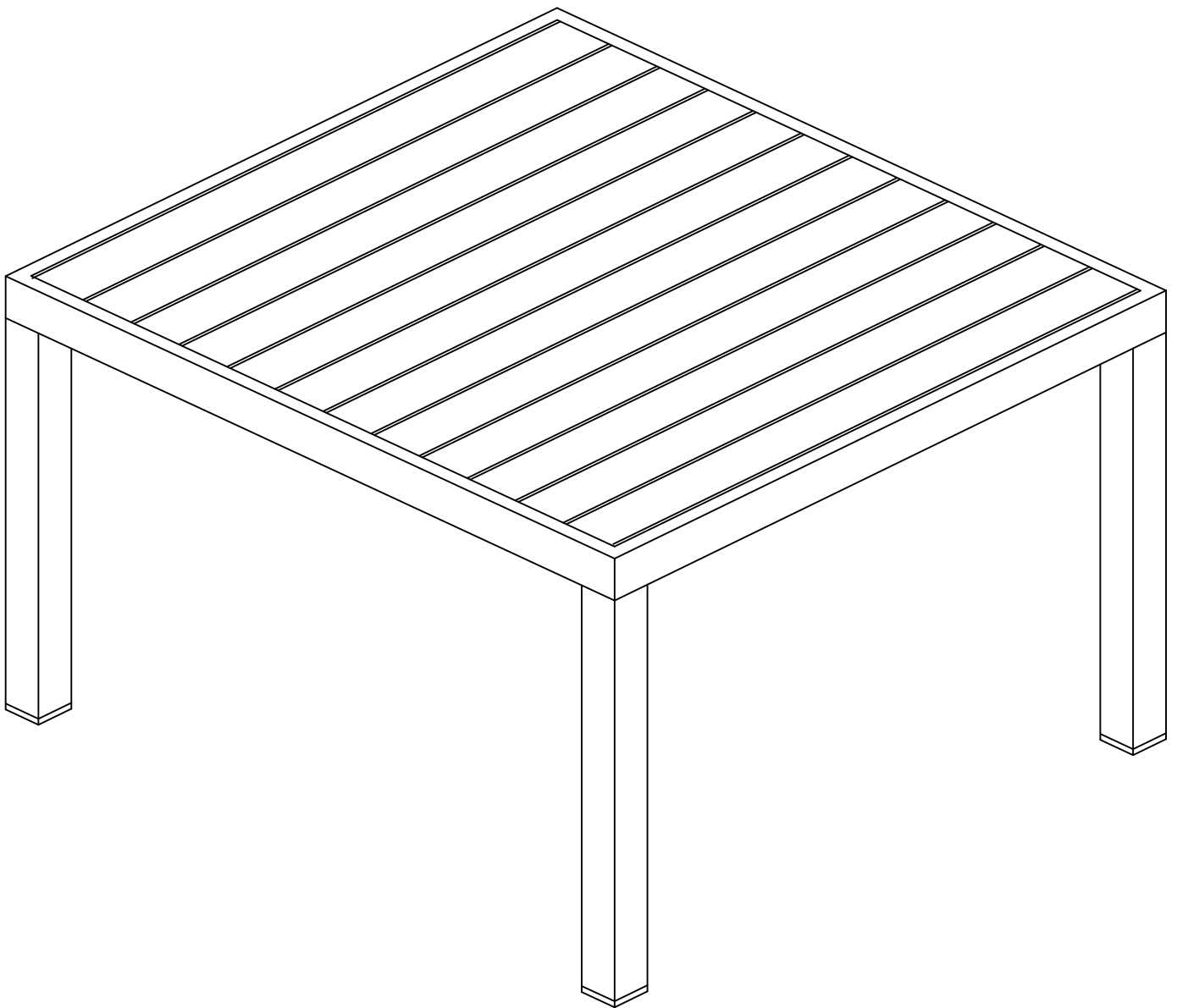


Assembly Manual

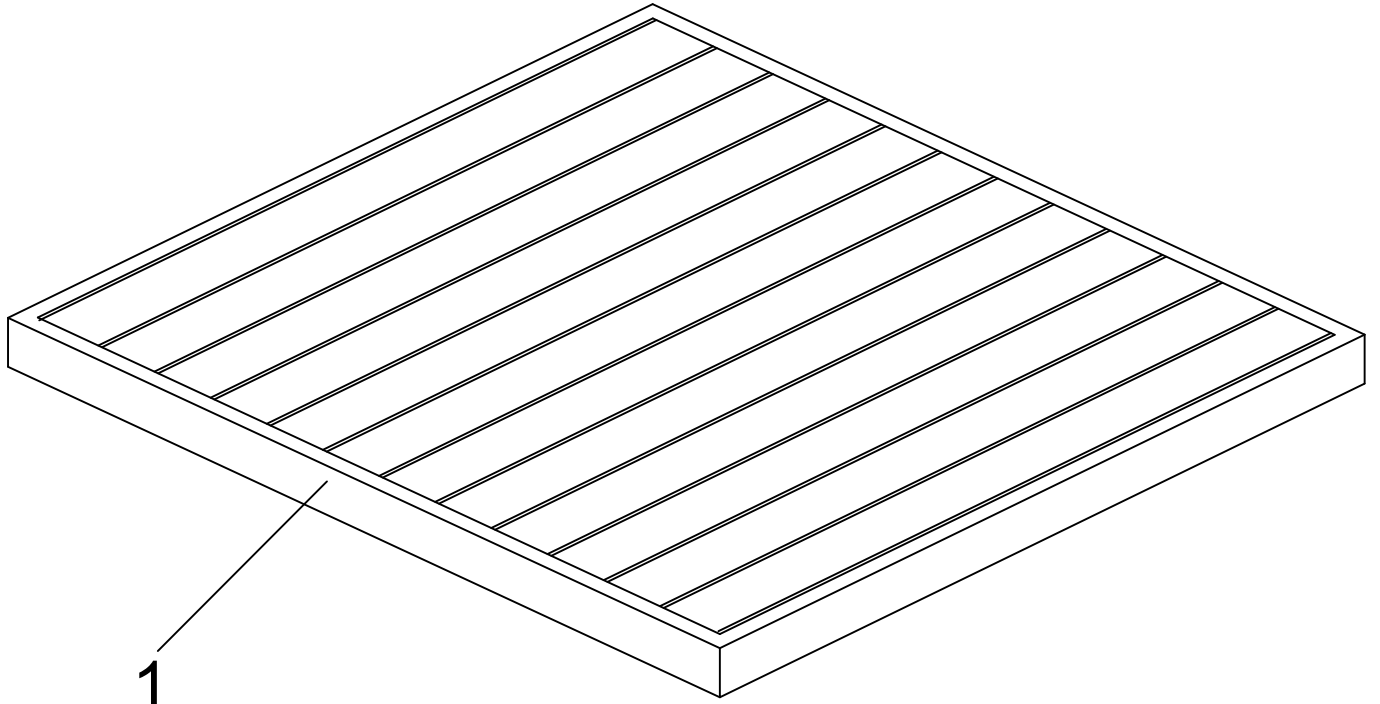
Square table



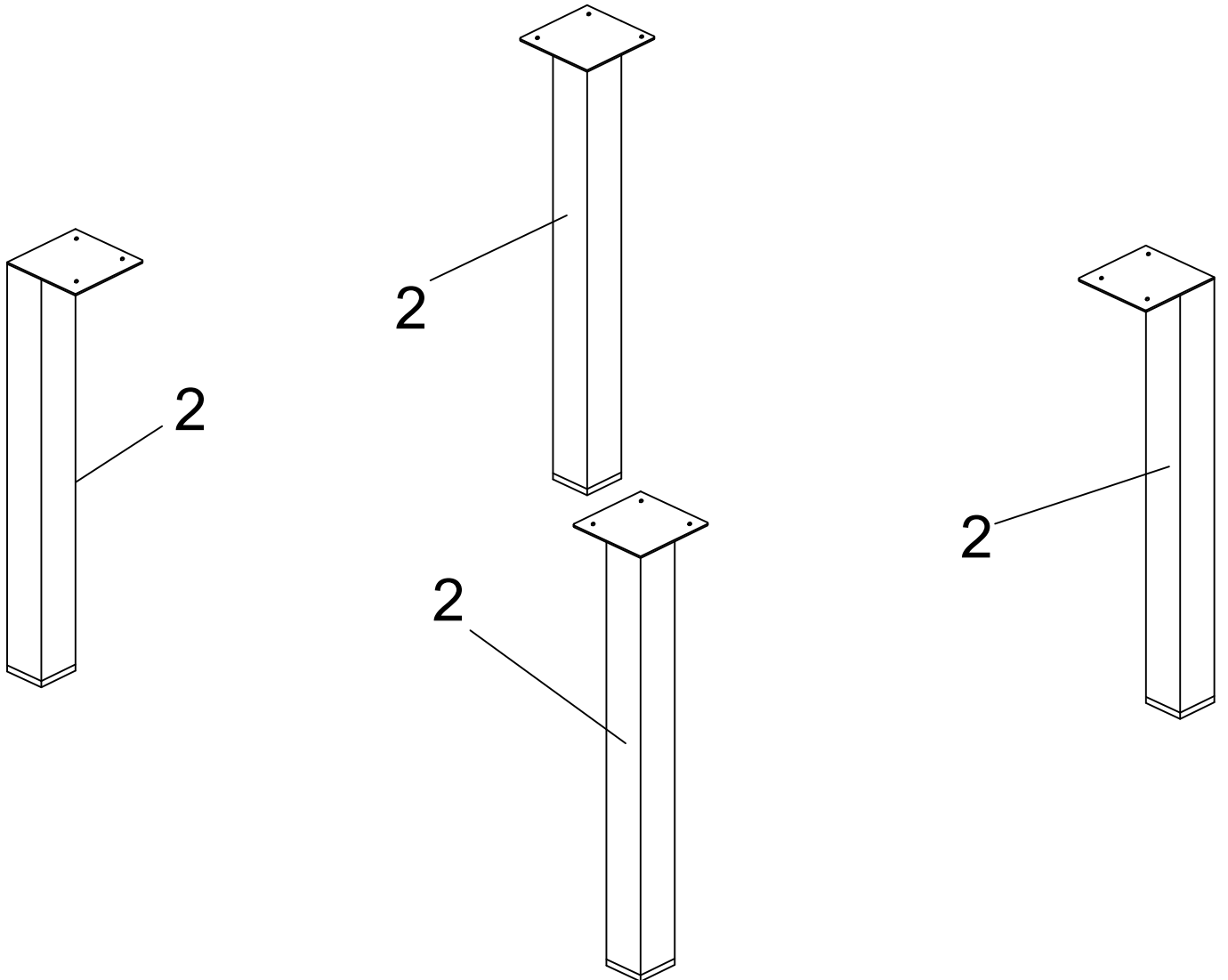
Please read this manual carefully before any operation and keep it properly for future use.

If any problems on our product, please feel free to contact us

Exploded View



1



2

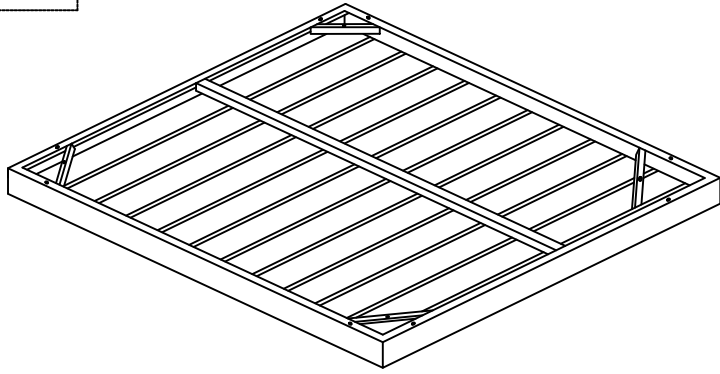
2

2

2

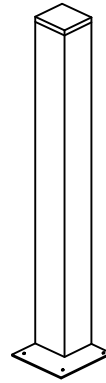
Components List

1



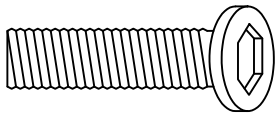
Top 1PC

2



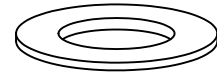
leg 4PCS

3



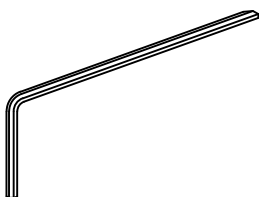
Bolt M6X20 14PCS

4



Washer M6 14PCS

5

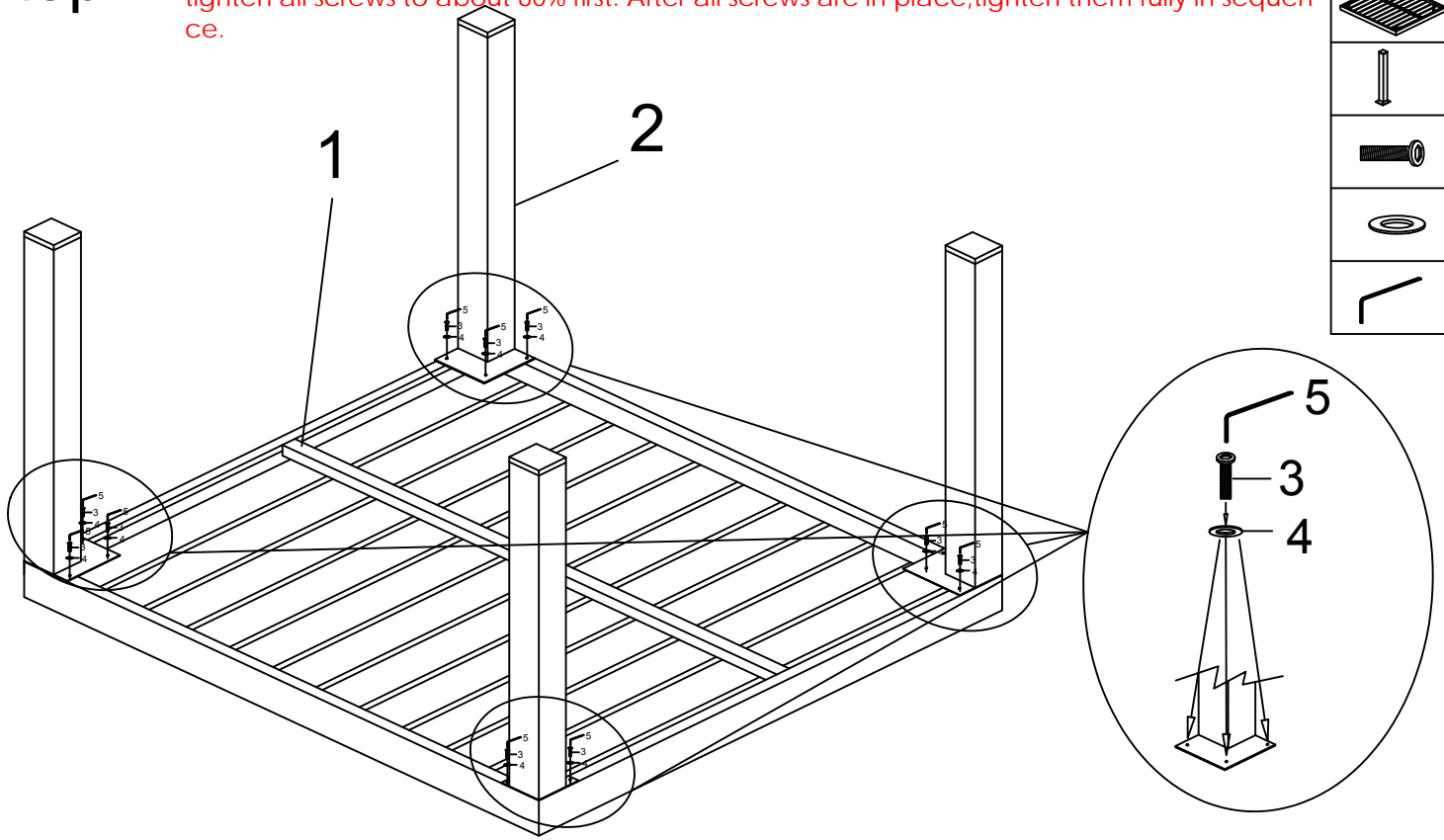


Allen wrench M6 1PC

ASSEMBLY INSTRUCTION

Step 1

Attach legs(B) to the tabletop(A) using washers(D), bolts(C) and Allen wrench(E). Hand-tighten all screws to about 80% first. After all screws are in place, tighten them fully in sequence.



Step 2

Tighten all the bolts, flip the table over. The assembly is done.

