

# Santa Cruz Sink

Model # SCS-3219SB-GMB, SCS-3219SB-SSB

## Specification Sheet

### TECHNICAL INFORMATION

- Installation: Undermount or Topmount
- Color: Gun Metal Black (GMB) or Brushed Stainless Steel (SSB)
- Drain Location: Middle Top

### PRODUCT FEATURES

- Versatile dual-mount design supports both undermount and drop-in installation, making it compatible with any countertop
- Drain and protective stainless steel bottom grid included
- Deep bowl offers superior functionality for busy households
- Made of durable, corrosion-resistant 16-gauge stainless steel, built to withstand heavy and daily use
- Brushed finish for easy cleaning and maintenance
- Mounting template included to assist with installation

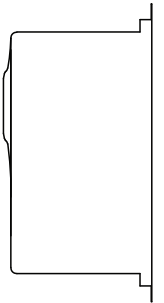
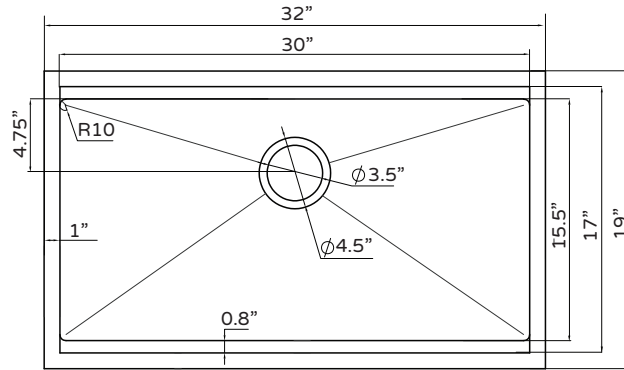
### NOTES

- Measure your actual product for rough-in details
- Install this product according to the installation instructions
- Due to the natural characteristics of acacia wood, each cutting board will vary in grain, color, and appearance. Images shown are for illustrative purposes only.

### WARRANTY

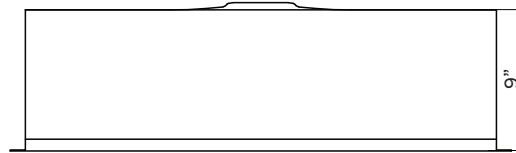
- Lifetime Limited Warranty

SINK (TOP)

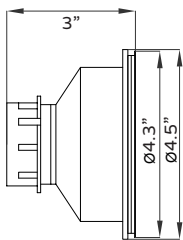


SINK (SIDE)

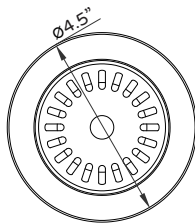
SINK (FRONT)



DRAIN (SIDE)



DRAIN (TOP)



STAINLESS STEEL BOTTOM GRID

