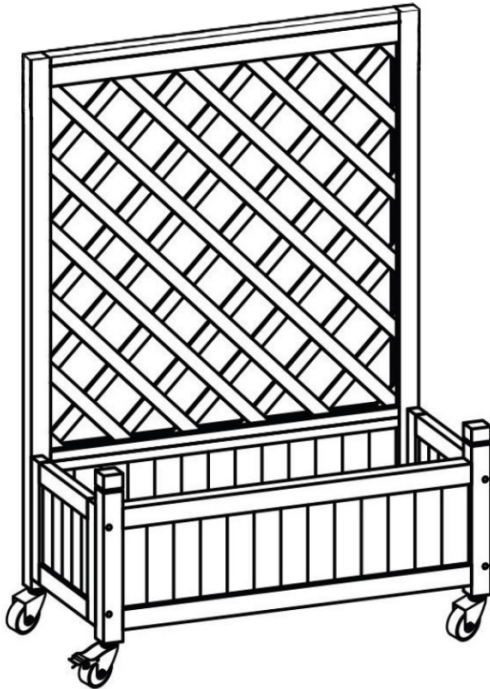




VTOP GREENGROW LTD.

Wood Planter Box & Diamond Trellis

INSTRUCTION MANUAL



Dear Customers:

Thank you for purchasing our product. Please read this instruction manual carefully after unpack the carton.

If any parts are missing, **DO NOT RETURN THIS PRODUCT OR CALL THE RETAILER.**

Please contact GreenGrow directly at sales@vtopgreengrow.com

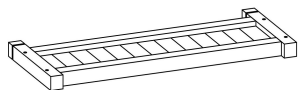
GUIDE OF MANUAL

1. The Garden Planter Box with Diamond Trellis may have burrs due to the nature of the wood. Please wear gloves to avoid injury during installation.
2. If you use a power tool to tighten the screws, the speed should not be too fast which will cause a wood crack.
3. The surface of the garden planter box is delicate and natural, and the wood is soft. Try to avoid strong collisions during use.
4. Avoid prolonged exposure to the sun and rain, which can prolong the service life.

PARTS LIST

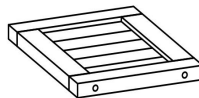
Before assembly, check to ensure the proper quantity of all parts.

A



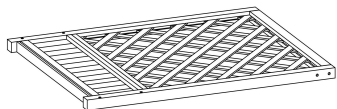
1 PCS

B



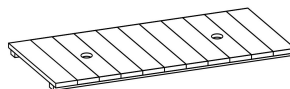
2 PCS

C



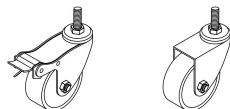
1 PCS

D



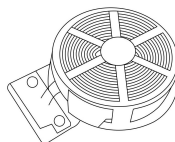
1 PCS

E



2 Pairs

1



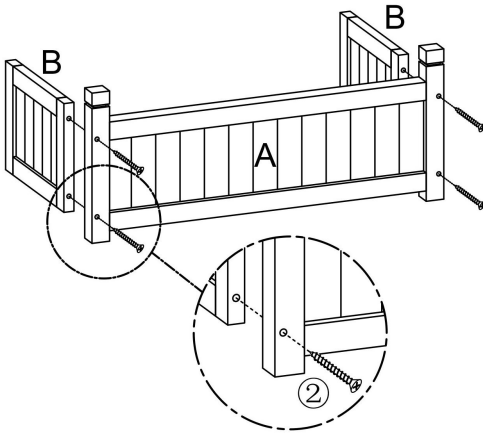
1 PCS

2



8 PCS

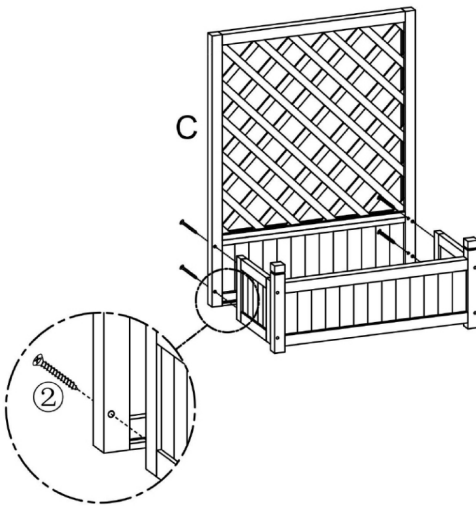
1 Installing front and side panels



Attach part 2x [B] to the two sides of part [A].

Use screw 4x [②] to secure it.

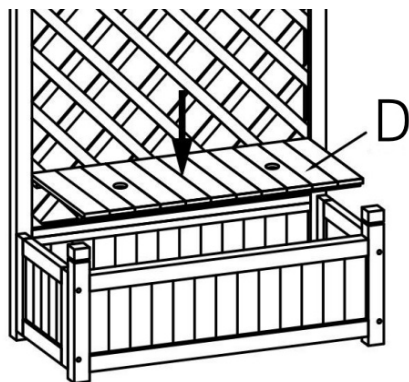
2 Install the bottom lattice trellis panel.



Attach part [C] to the part of 2x [B].

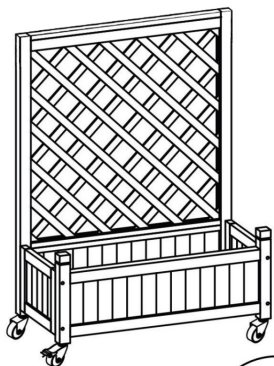
Use screw 4x [②] to secure it.

3 Installing base/bottom panel.



Place the part [D] inside the planter box

4 Installing universal wheel.



Attach part 4x [④] to the bottom of the flower box.

Note: Diagonal installation of brake wheel

When plants climb vines, use binding wires [] to fix them on the lattice trellis.

