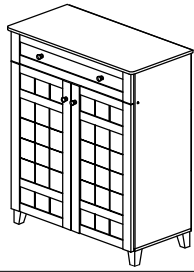
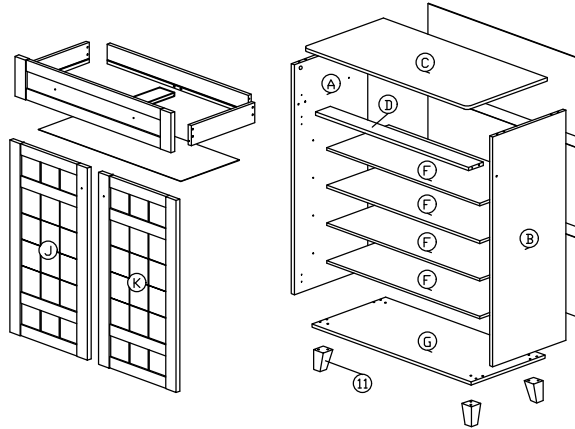


# Assembly Instruction

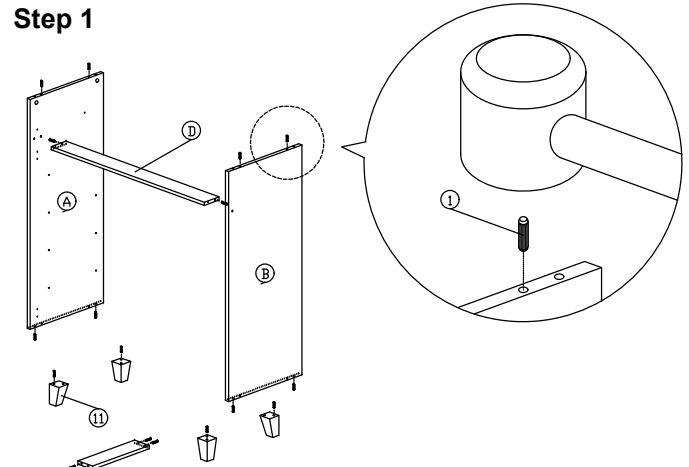


5		M4x38mm Screw	14Pcs
6		M7x40mm Screw	4Pcs
7		Nail	30Pcs
8		Shelf Support	16Pcs
9		Hinges (012)	4Sets
10		L Key	1Pc
11		Wooden Leg	4Pcs
12		Handle (9988)	4Sets
		M4x30mm (Handle Screw)	4Pcs
13		Drawer Slide = 300mm	1Set
14		M5x8mm Screw (Euro Screw)	4Pcs

## Part List



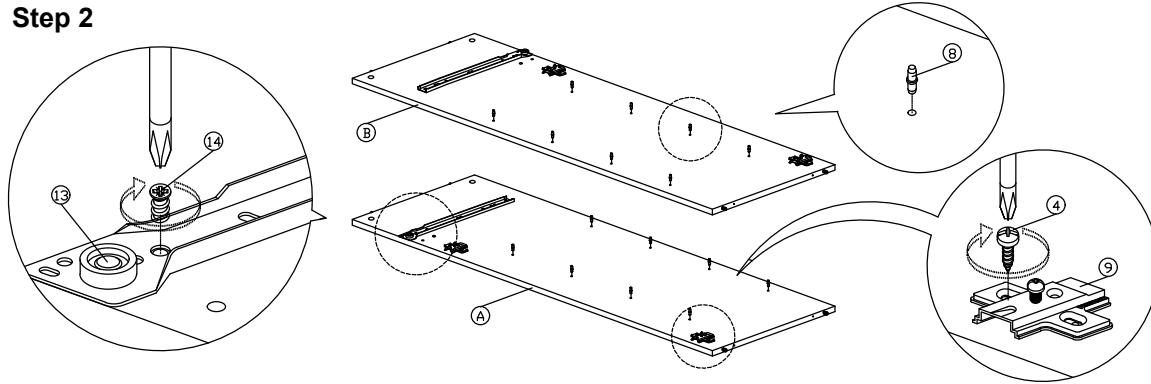
## Step 1



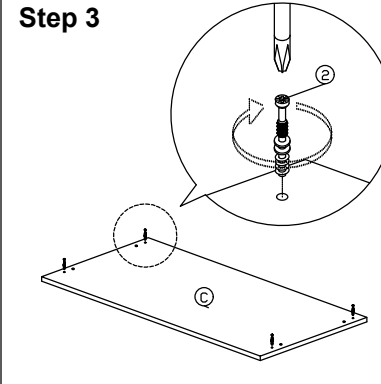
Hardware List			
No.	SHAPE	DESCRIPTION	Qty.
1		8x25mm Wood Dowel	18Pcs
2		15MM Titus Mini Fix	4Sets
3		M3.5x15mm Screw	4Pcs
4		TP 10#x1/2" Screw	16Pcs

Packing Tipping Restraint			
15		M3.5x15mm Screw	2Pcs
16		Wall Plug	2Pcs
17		M4x30mm Screw	2Pcs
18		Safety Strap	2Pcs
19		Flat Washer 6x19x2mm	4Pcs

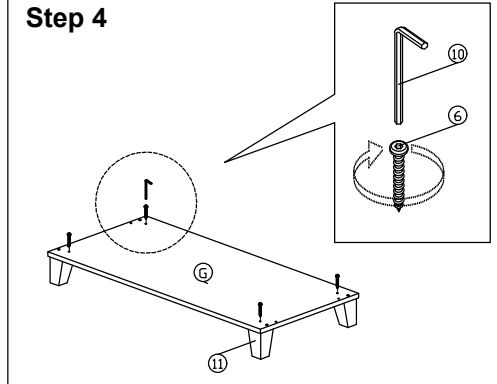
## Step 2



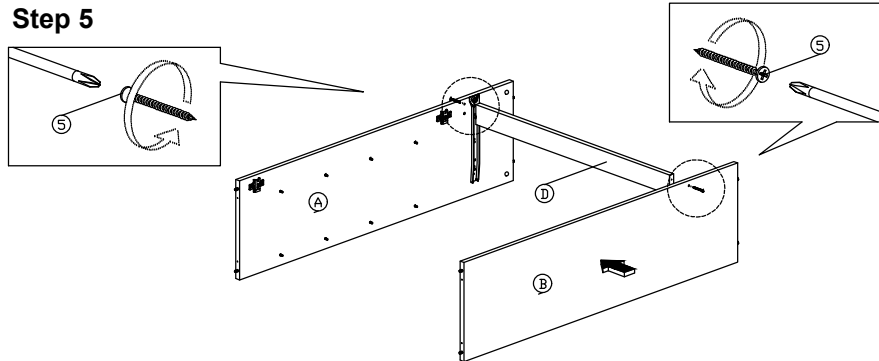
## Step 3



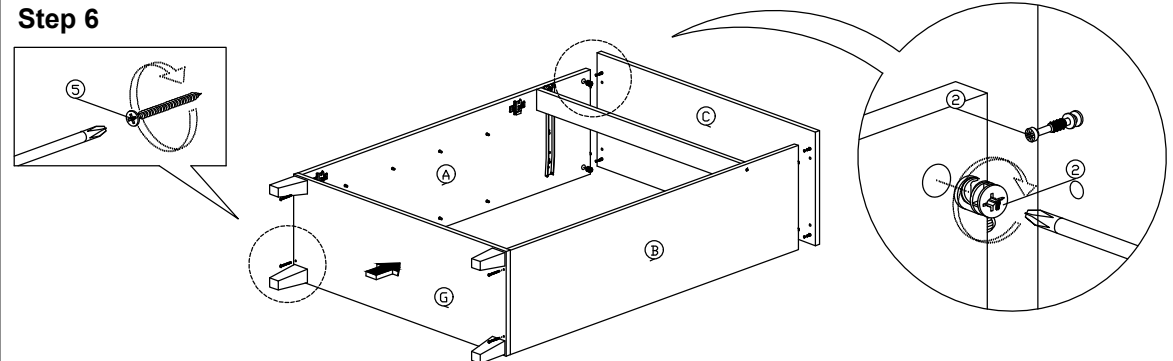
## Step 4



## Step 5

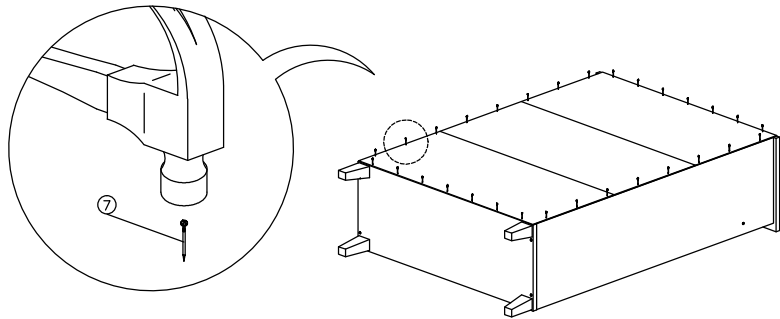


## Step 6

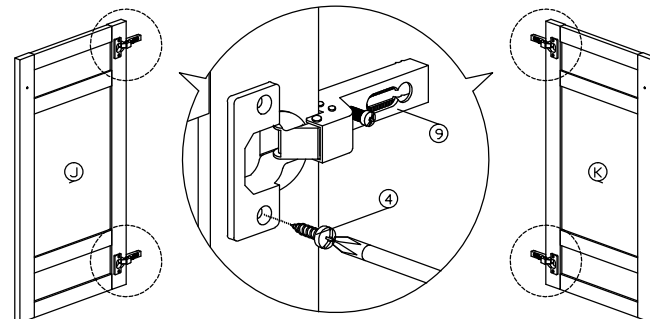


# Assembly Instruction

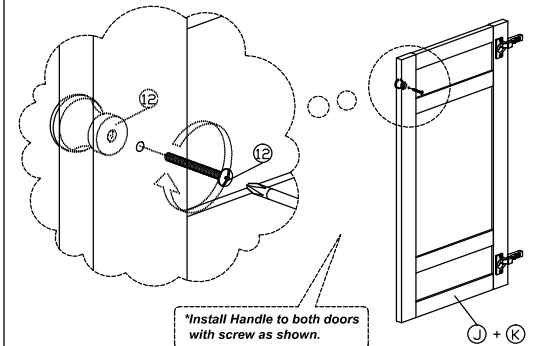
Step 7



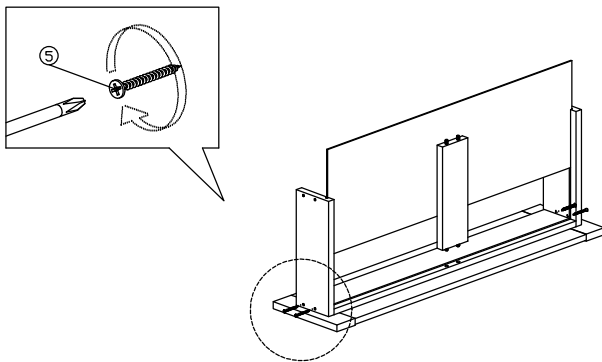
Step 8



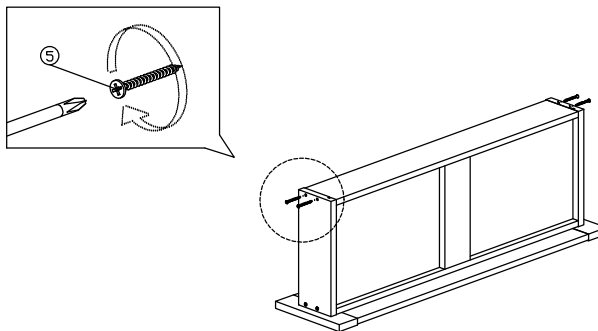
Step 9



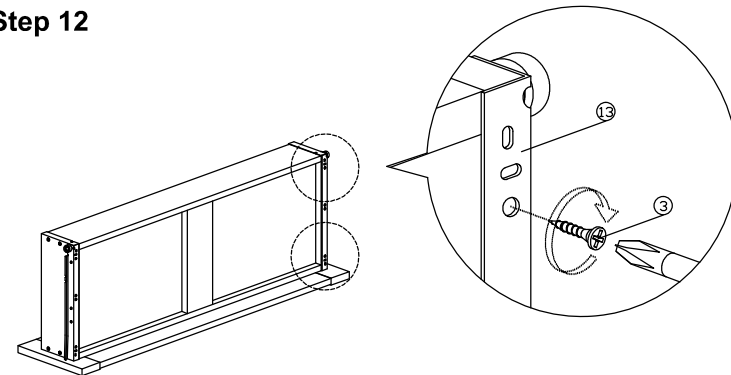
Step 10



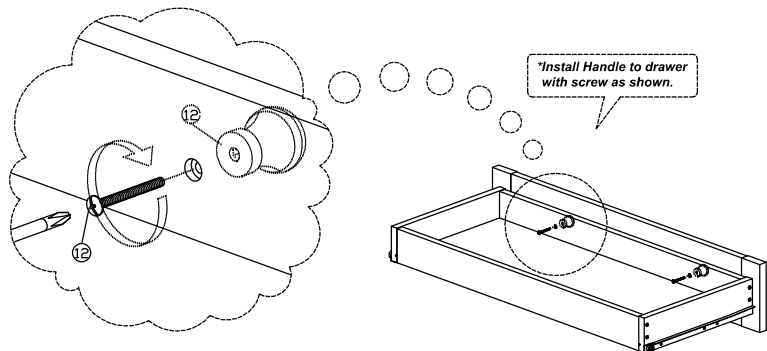
Step 11



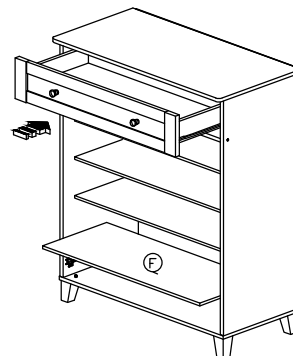
Step 12



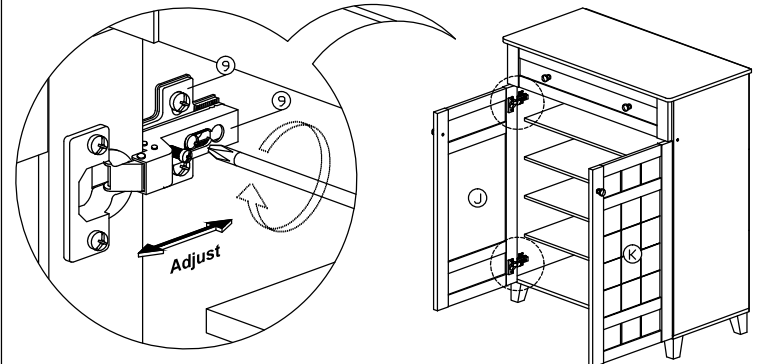
Step 13



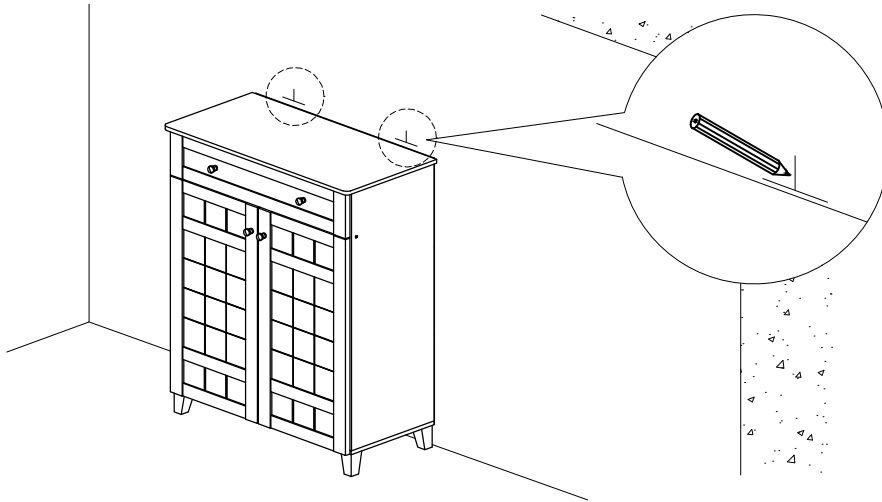
Step 14



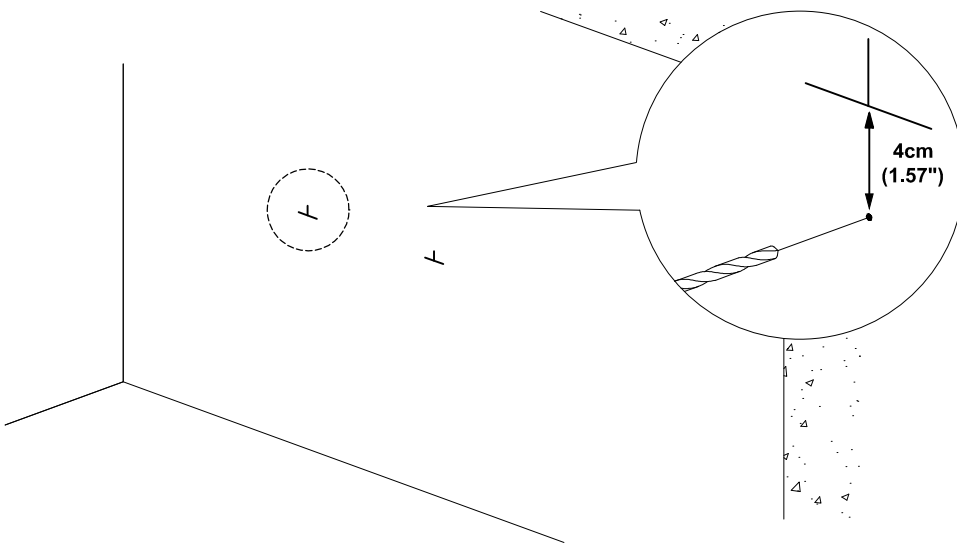
Step 15



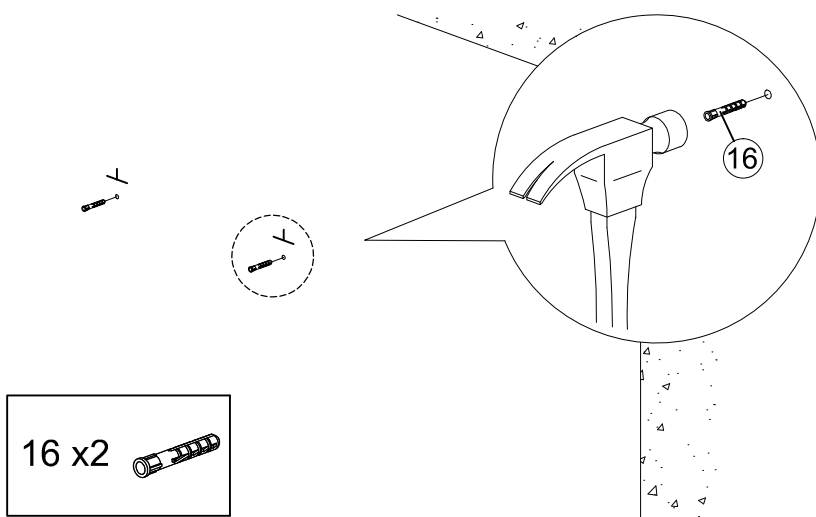
# FURNITURE TIPPING RESTRAINT



**1. First mark the wall with pencil as in diagram.**

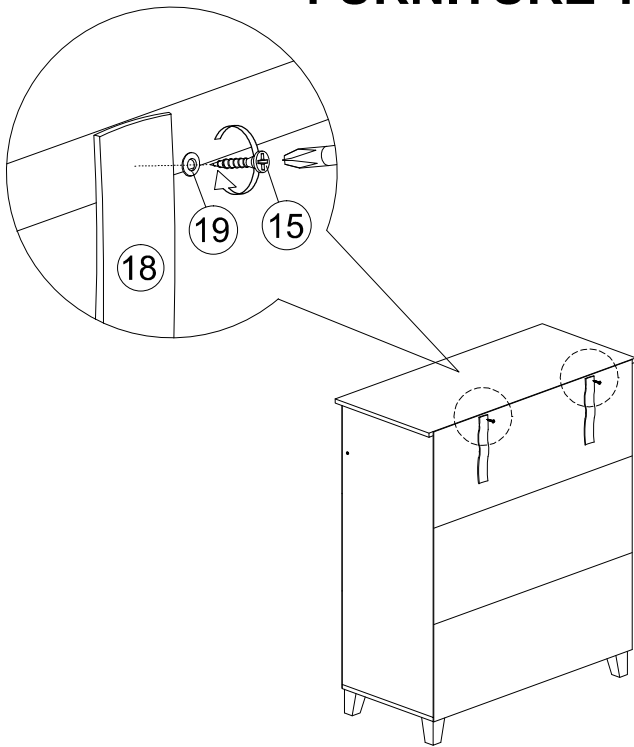


**2. Drill small hole at the pencil mark.**

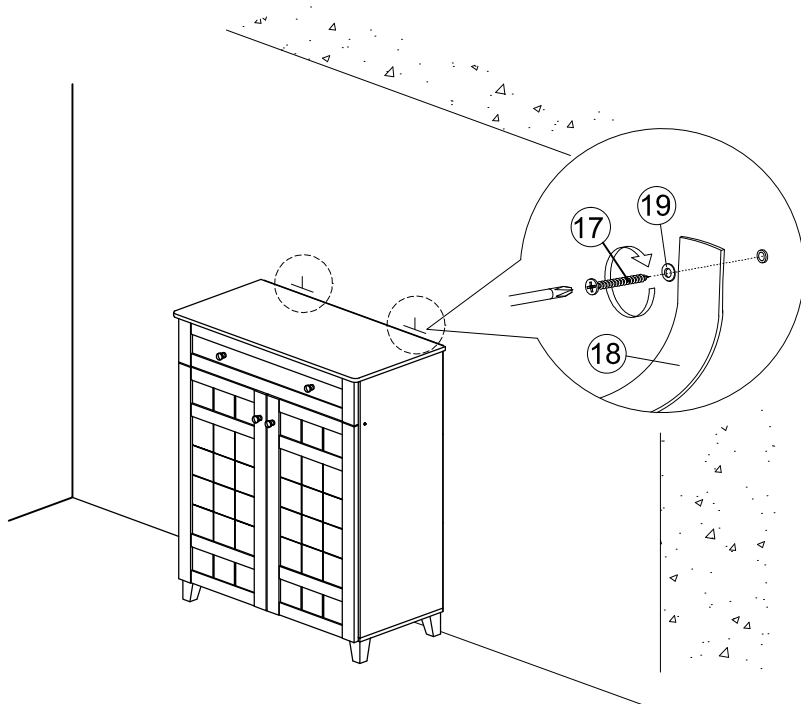
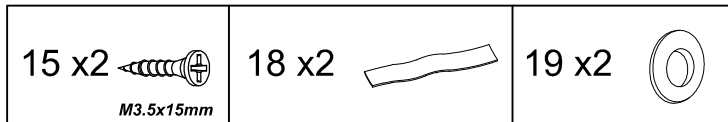


**3. Insert plastic wall plug (16).**

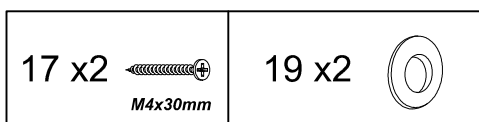
## FURNITURE TIPPING RESTRAINT

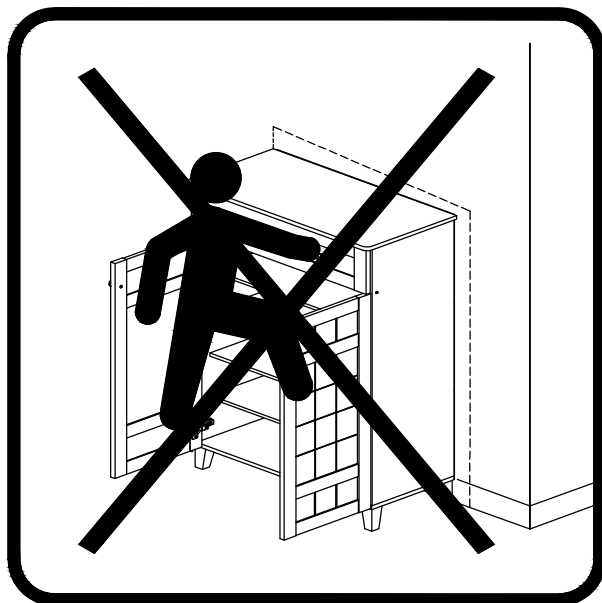
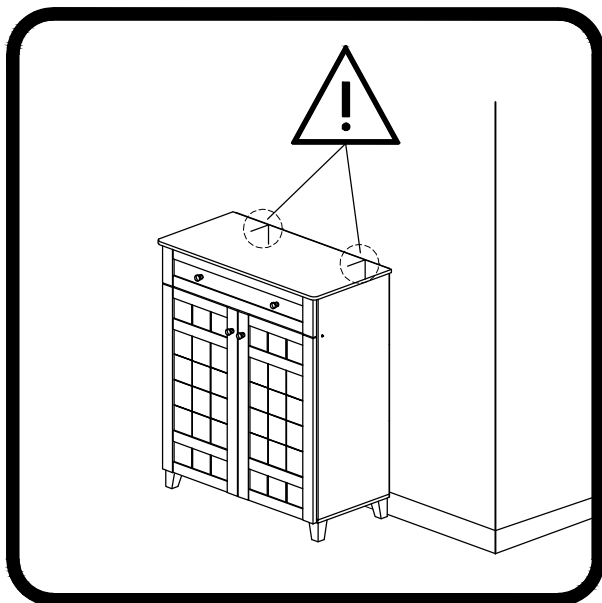


4. Add safety strap (18), washer (19) using 3.5x15mm screw (15) to back of cabinet.



5. Finally, attach safety strap (18) and washer (19) using 4x30mm screw (17) to the wall.





<b>⚠ WARNING</b>	
	<p>Children have died from furniture tipover. To reduce the risk of furniture tipover:</p> <ul style="list-style-type: none"><li>• ALWAYS install tipover restraint provided.</li><li>• NEVER put a TV on this product.</li><li>• NEVER allow children to stand, climb or hang on drawers, doors, or shelves.</li><li>• NEVER open more than one drawer at a time.</li><li>• Place heaviest items in the lowest drawers.</li></ul> <p><i>This is a permanent label. Do not remove!</i></p>
	



**Anti-Topple hardware included for added safety and stability**