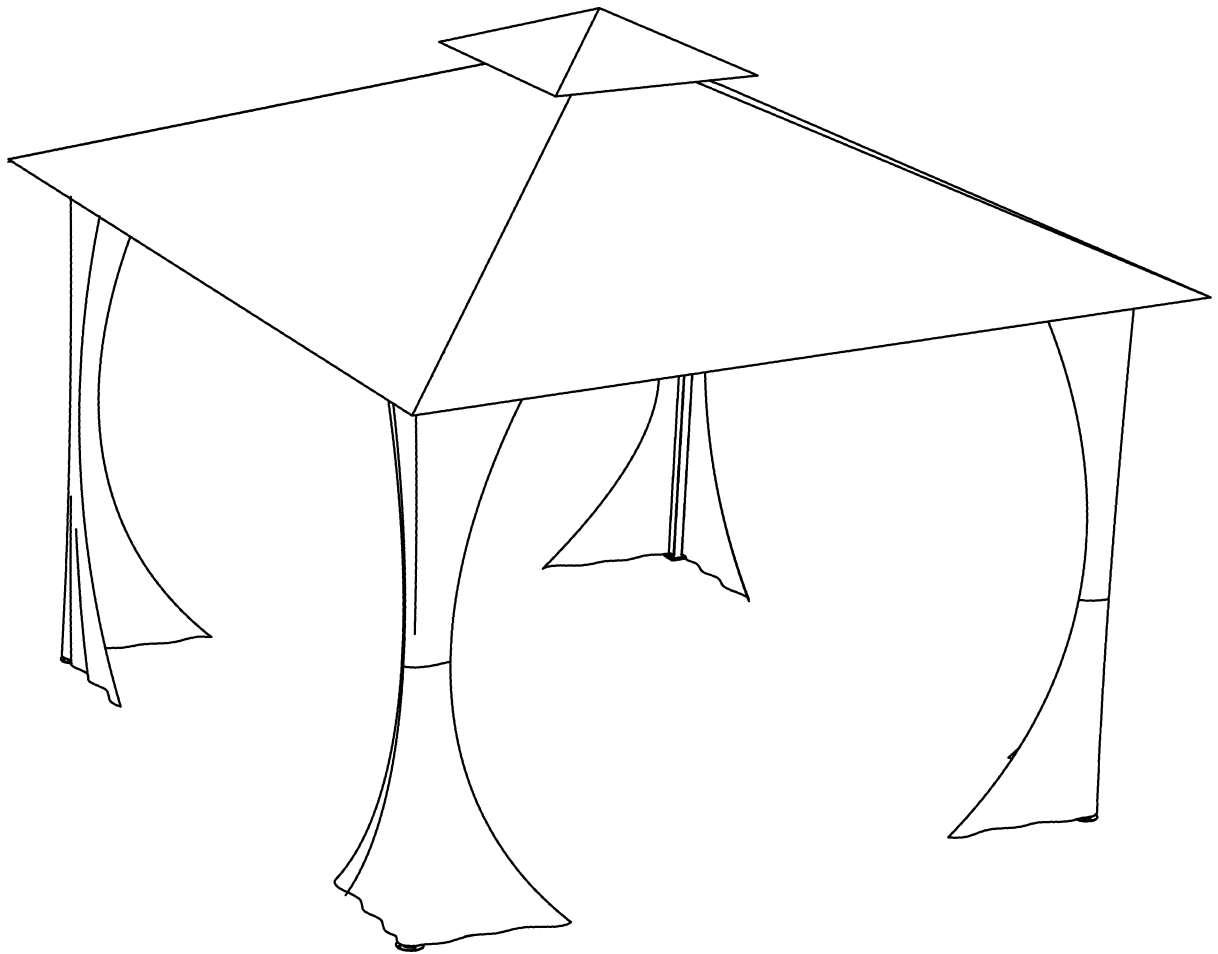


10 x 10 FT



WYKYOT104



At least need 3 people work together

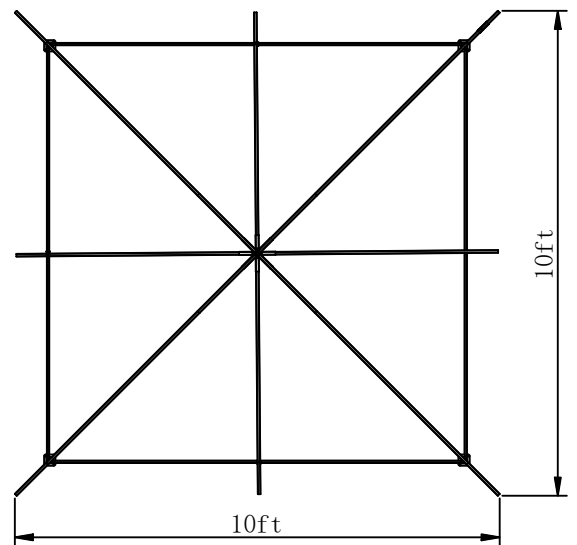
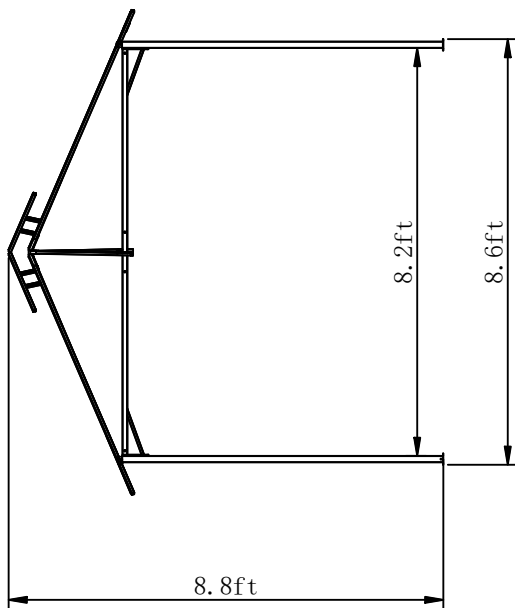
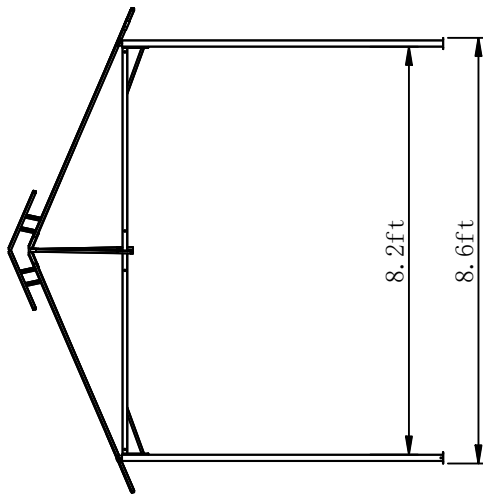
REQUIRED TOOLS



WARNING: When using your gazebo, basic safety precautions should always be followed to reduce the risk of personal injury and damage to equipment.

Read all instructions before assembly and use of this product.

1. This unit is heavy. Do not assemble this item alone. 2 - 4 people are recommended for safe assembly.
2. Keep all children and pets away from the assembly area. Children and pets should be supervised when near the gazebo during construction.
3. Keep the assembly area at least 6 feet away from any obstruction such as a wall, fence, garage, house, overhanging branches, laundry lines, or electrical wires.
4. Some parts may have sharp edges. When assembling and using this product, take basic safety precautions to reduce the risk of personal injury and product damage. Please read all instructions before assembly and use.
5. Check all parts listed in the Parts List before use, and periodically inspect and tighten bolts as needed.
6. Assemble on a level surface.



2



(A) 4X



(B1) 4X



(C1) 4X



(D1) 4X



(E1) 4X



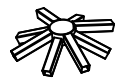
(F1) 3X



(G1) 1X



(Q1) 8X



(H) 1X



(Q) 8X



(J) 4X



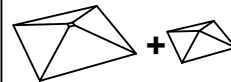
(K) 4X



(L) 40X



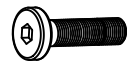
(P) 16X



(M1) 1X



(N1) 4X



M6 x30

(W1) 24X



M6 x15

(W2) 48X



(W3) 56X



M6

(W4) 8X



(O) 8X



(Y) 1X



(Y1) 1X



(A) 4X



(K) 4X



M6 x15

(W2) 12X

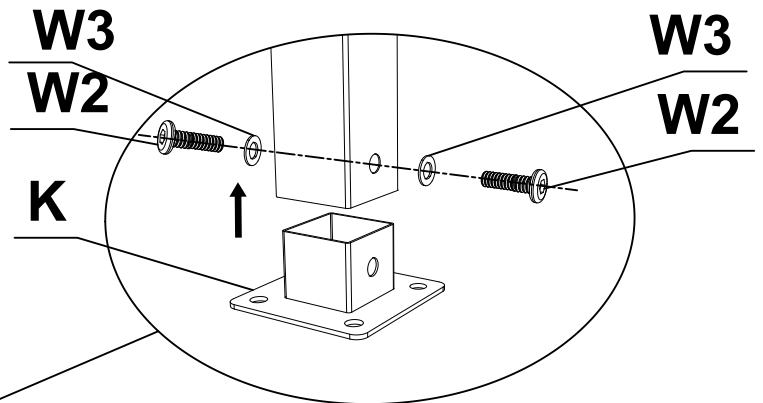
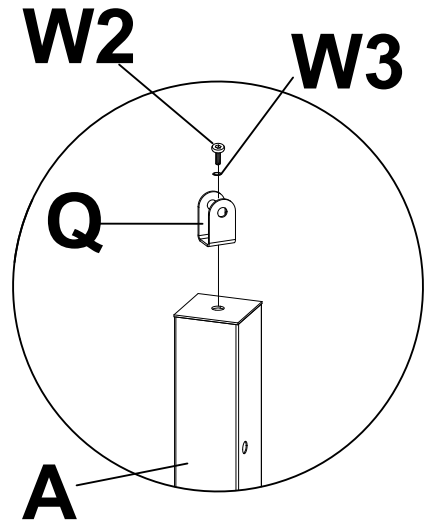
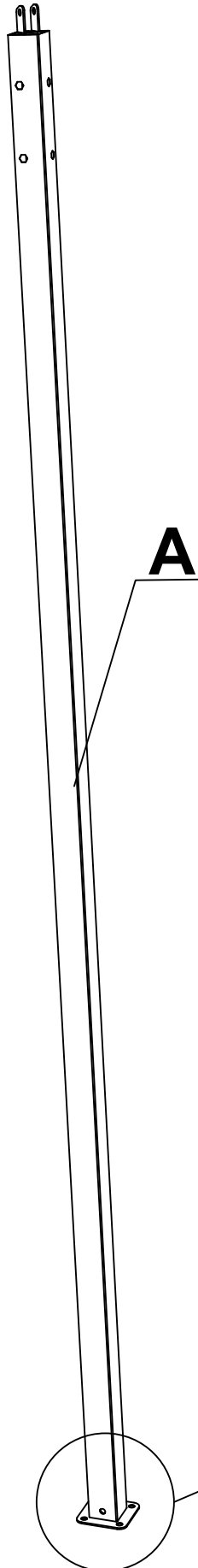


(W3) 12X



(Q) 4X

4





B1 4X



B2 4X



J 4X



P 16X



M6 x15

W2 16X



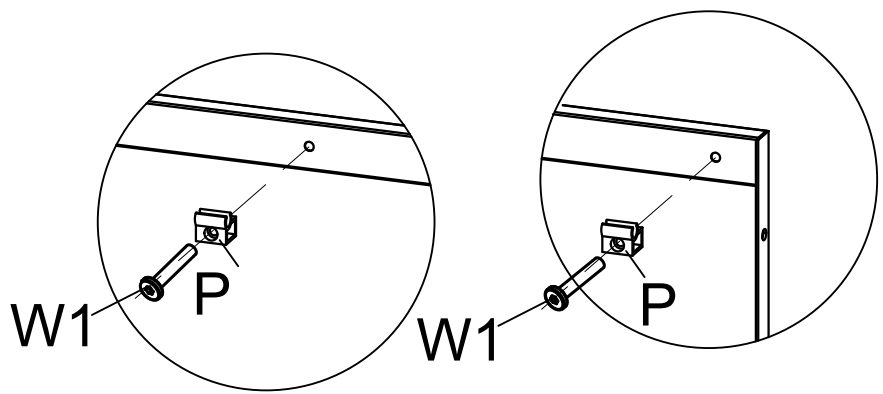
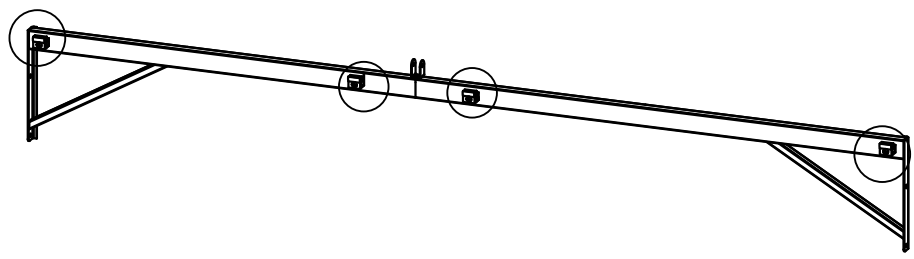
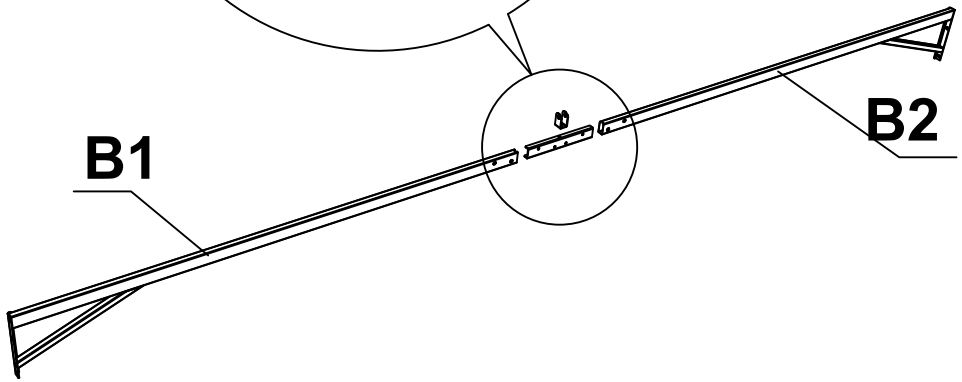
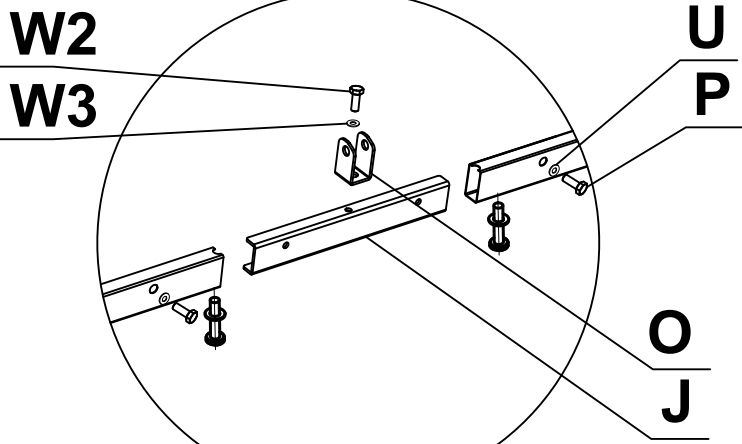
M6 x30

W1 16X



W3 16X

5

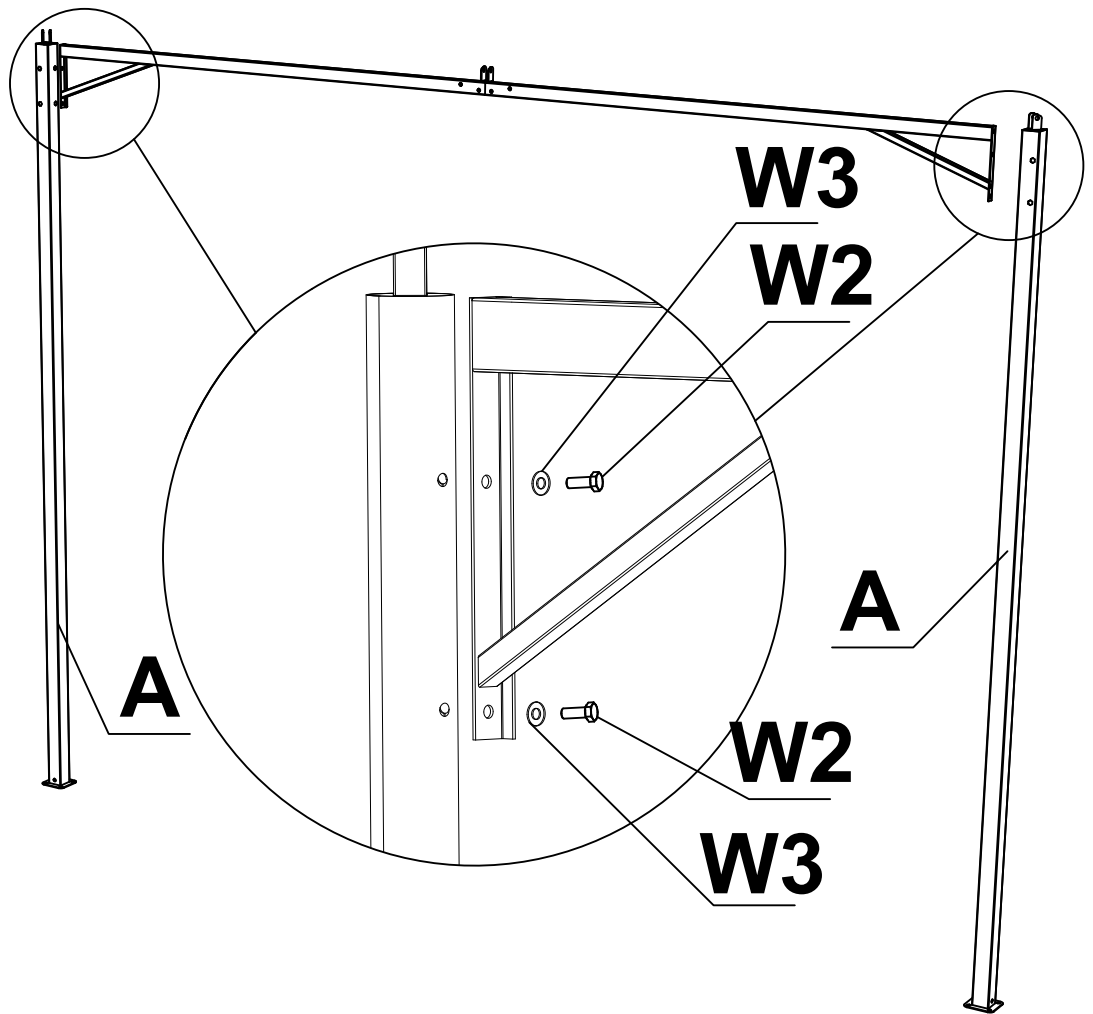




W2 4X



W3 4X



6

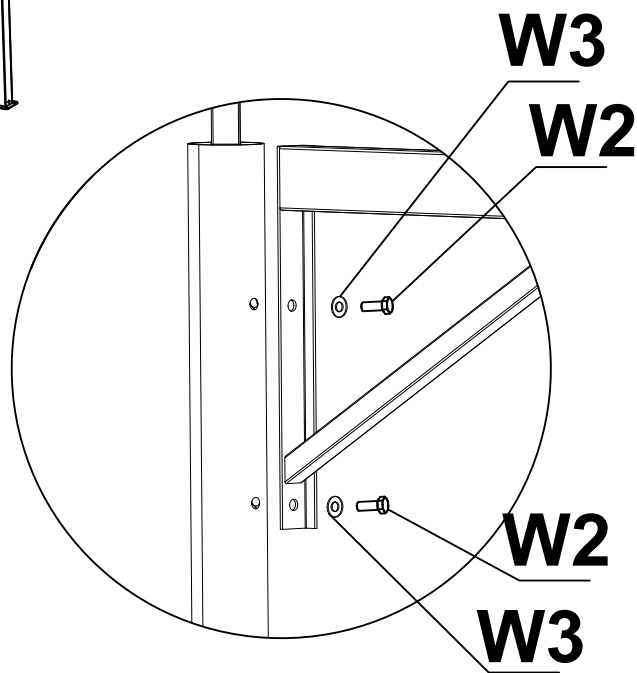
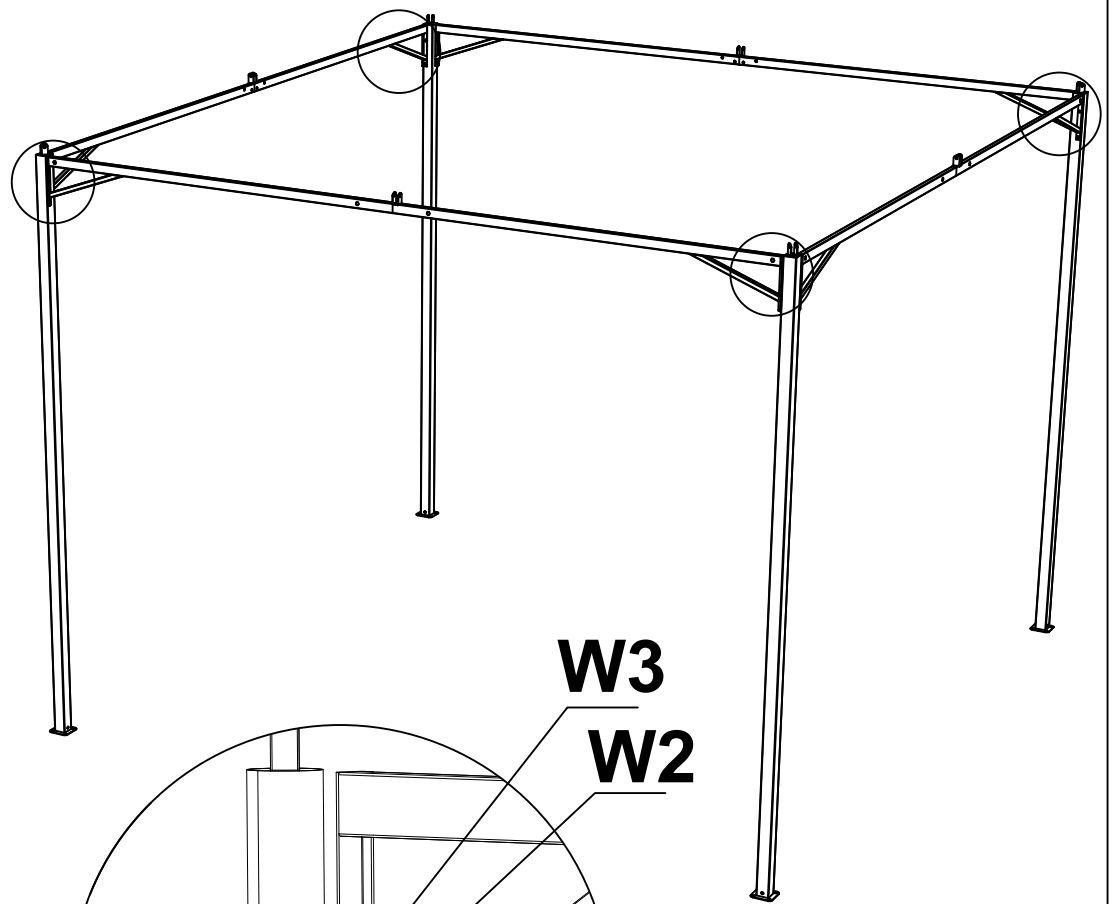


M6 x15

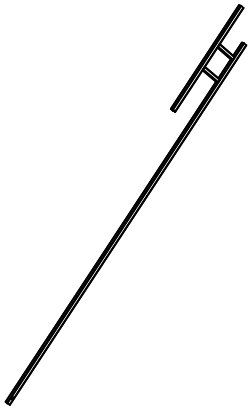
W2 12X



W3 12X



7



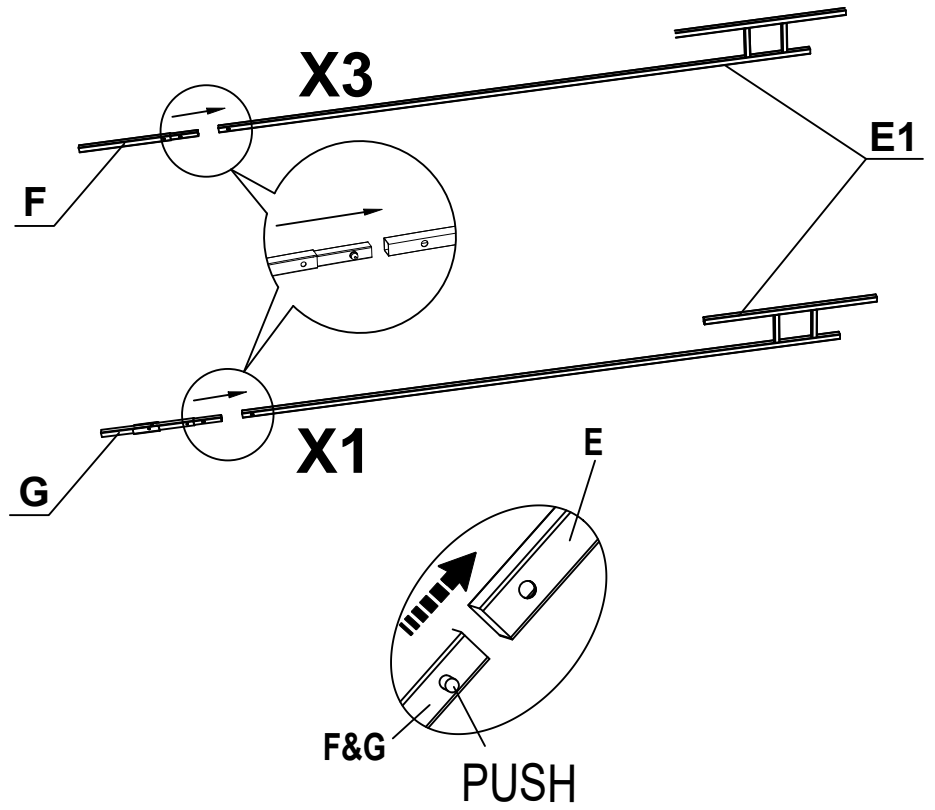
E1 4X



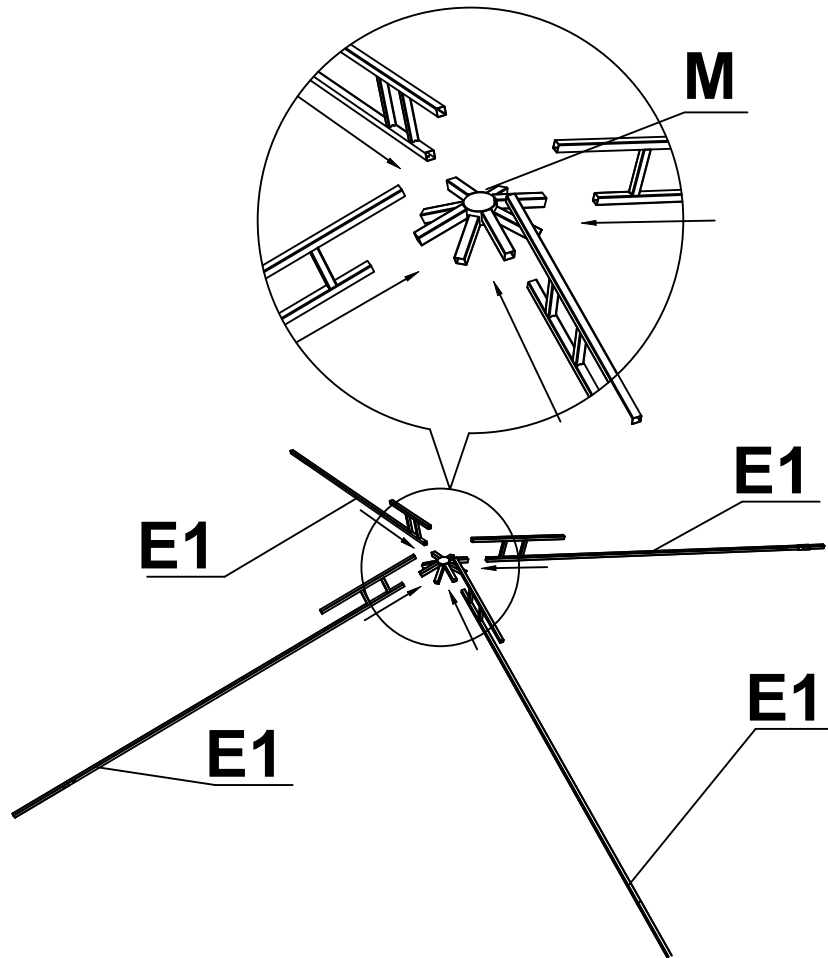
F1 3X



G1 1X



M 1X



8



M6 x30

W1 4X

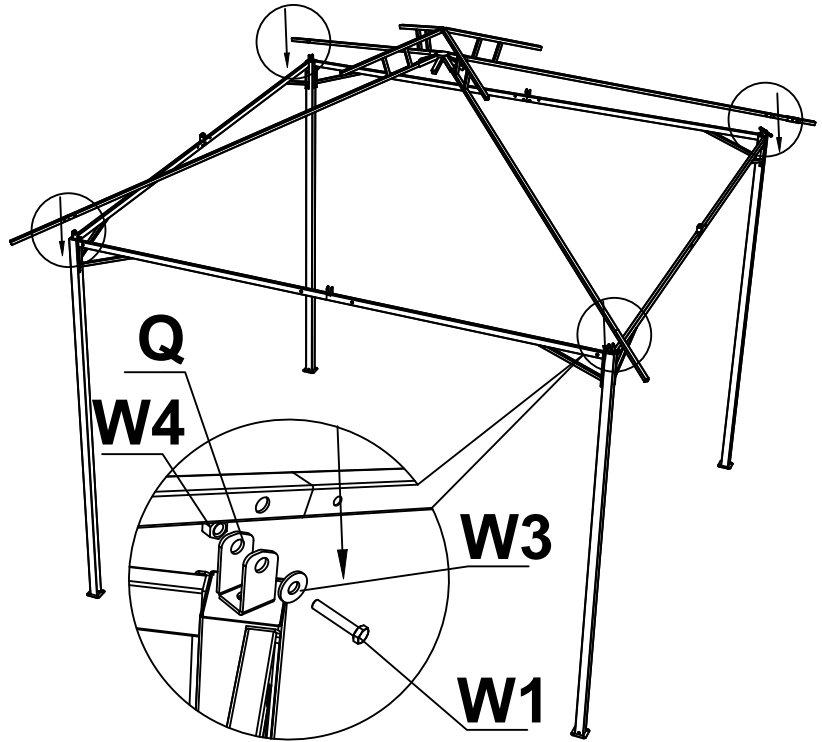


W3 4X



M6

W4 4X



Q 4X

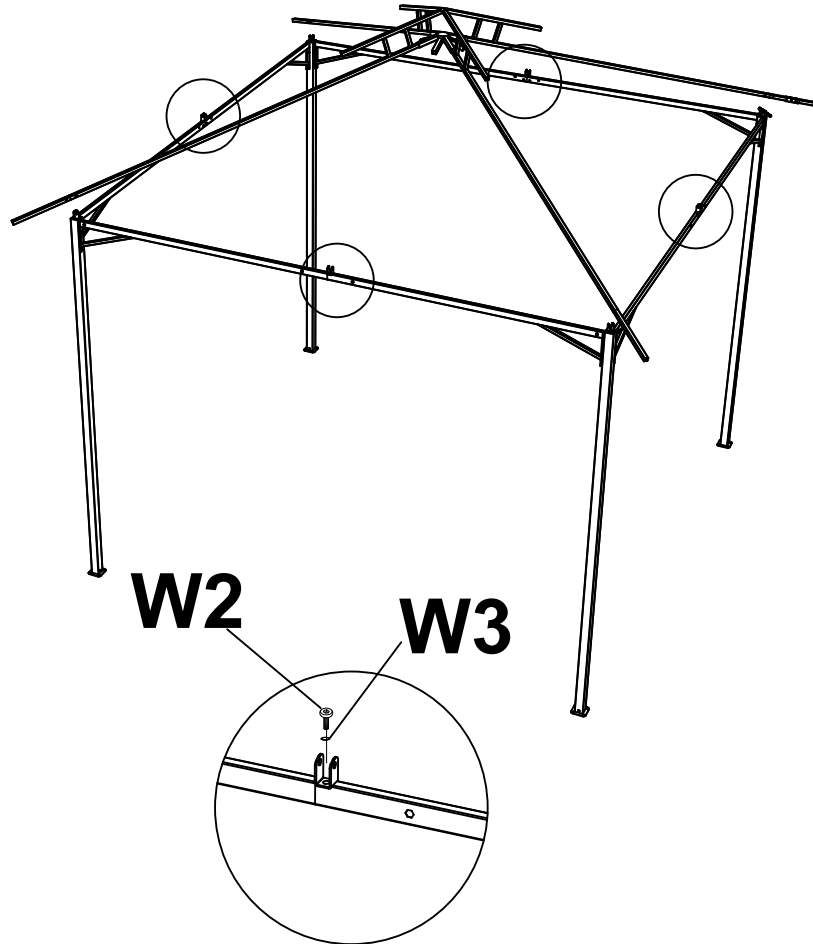


M6 x15

W2 4X



W3 4X



9



W1 4X

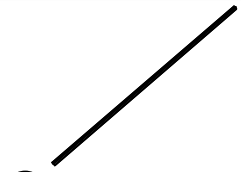


W3 4X

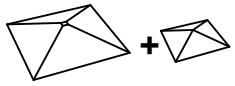
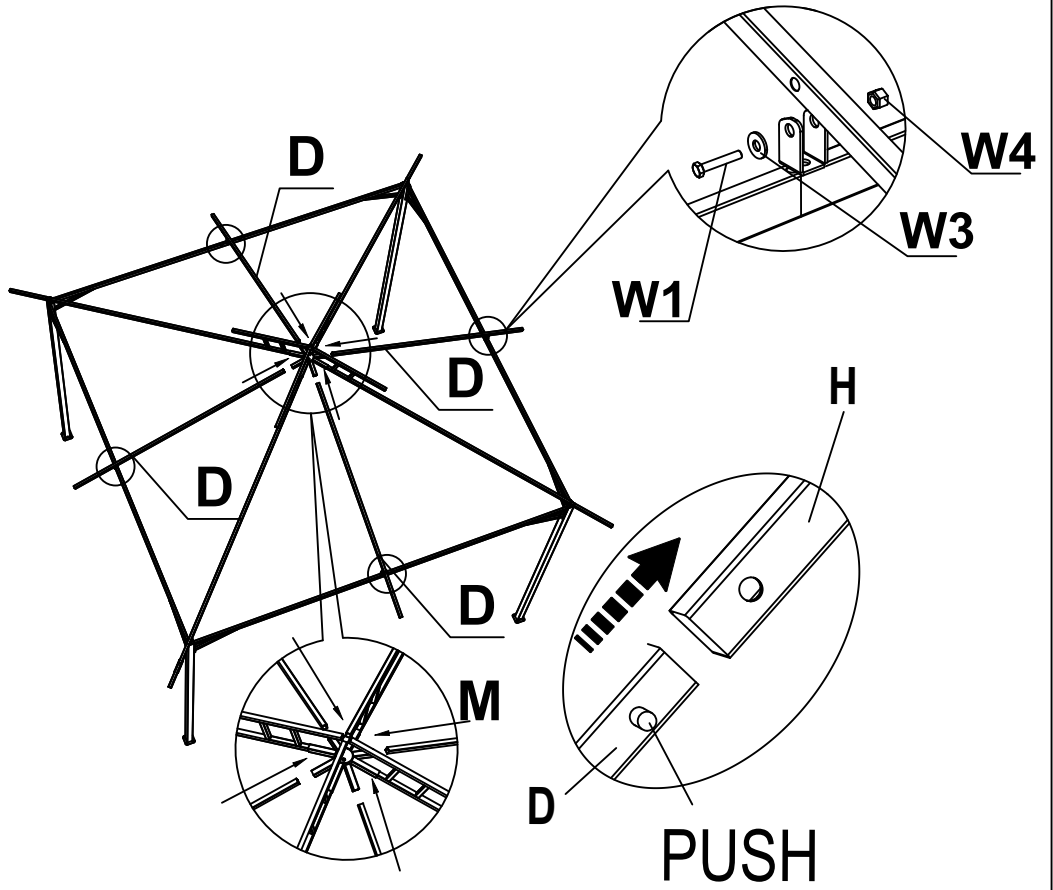


M6

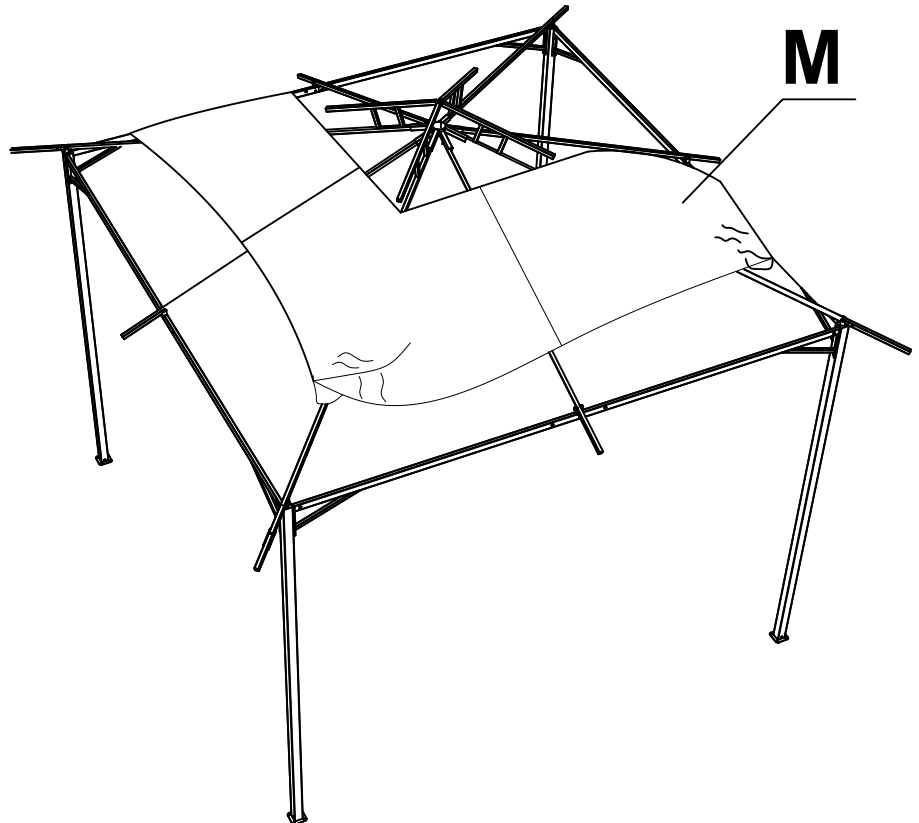
W4 4X



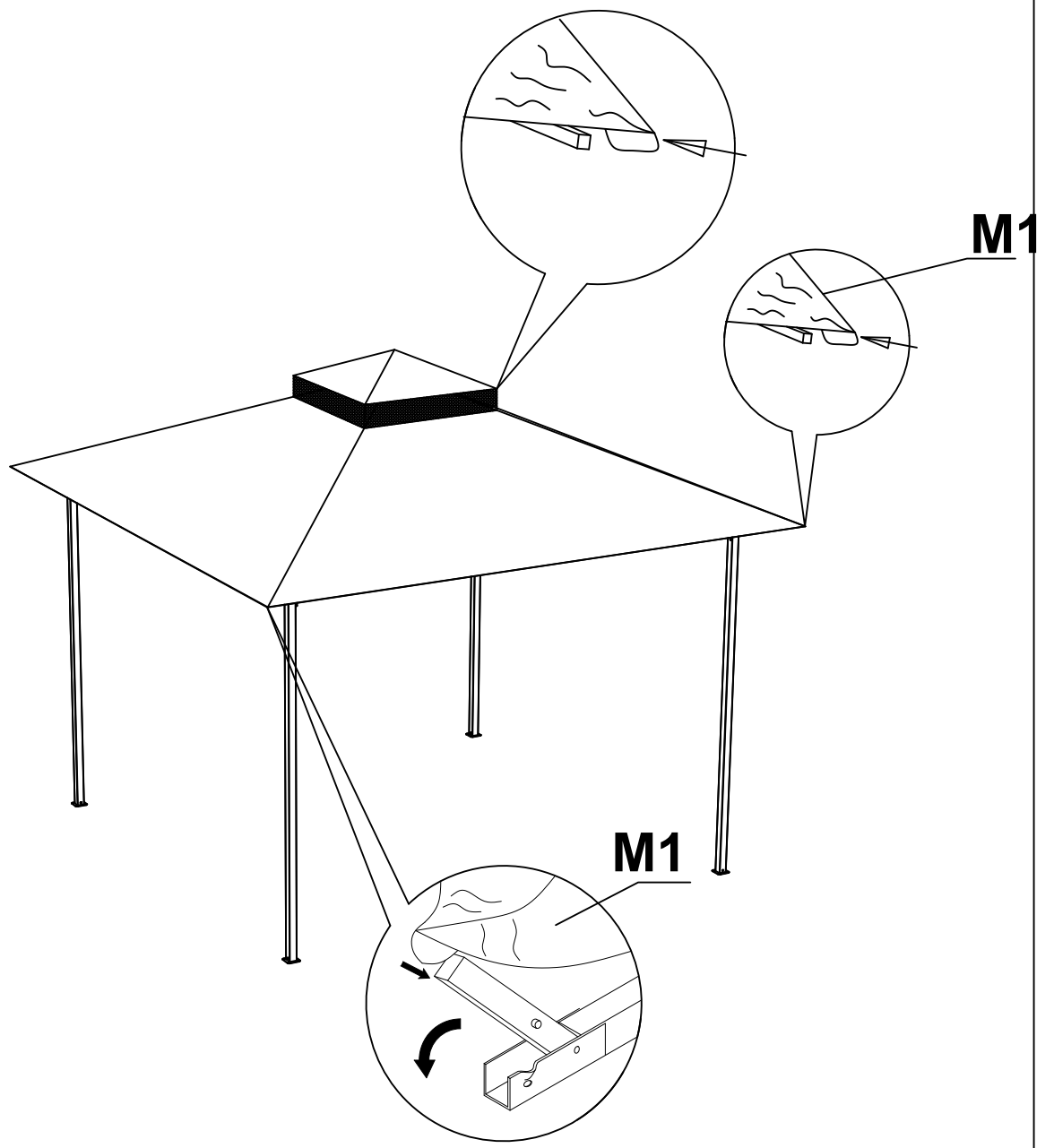
D 4X



M 1X

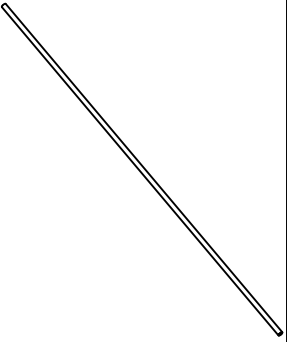


10

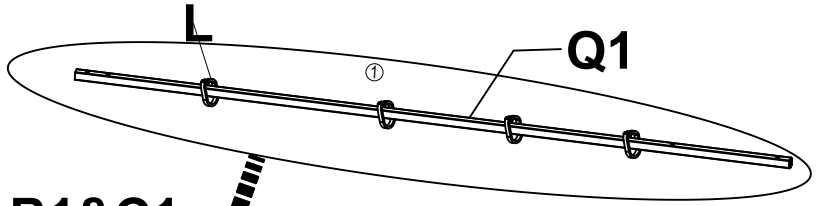




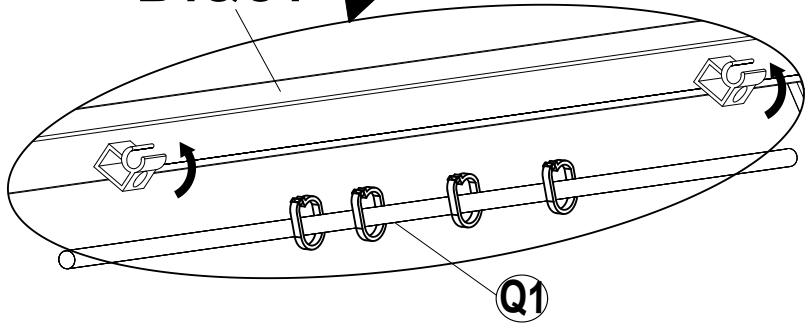
L 32X



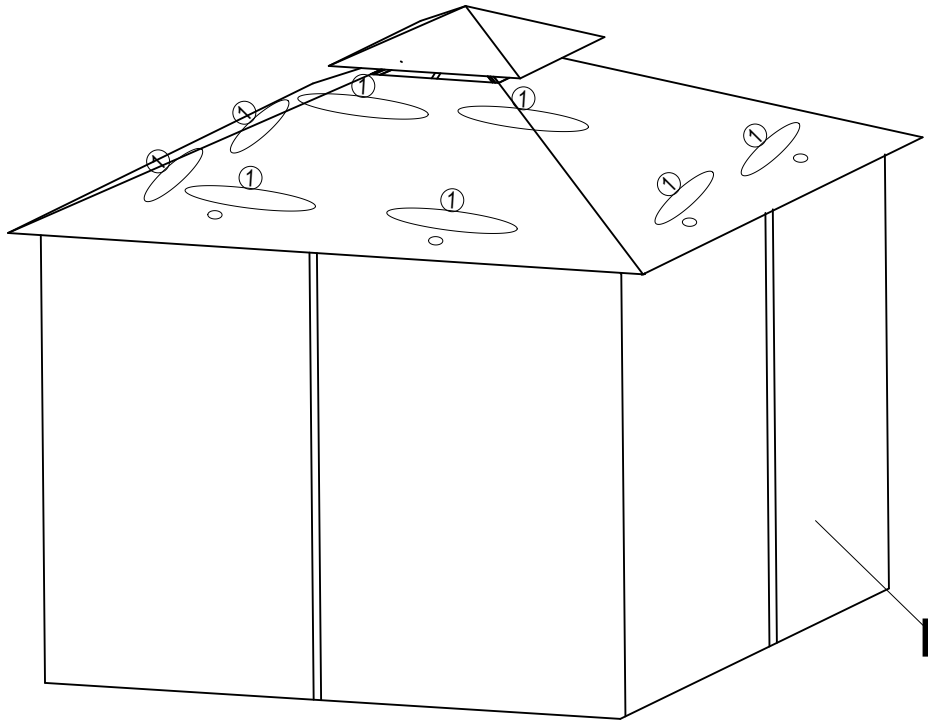
Q1 8X



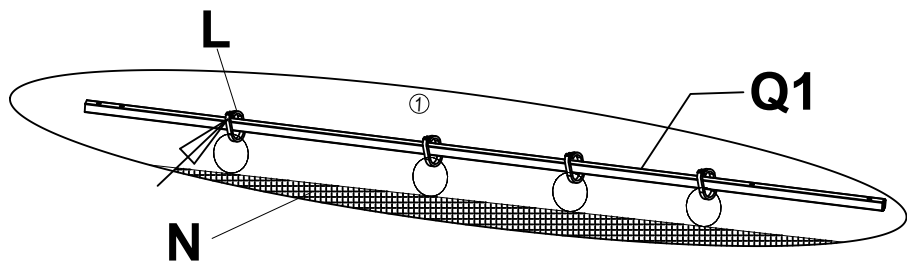
B1&C1



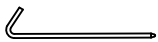
X8



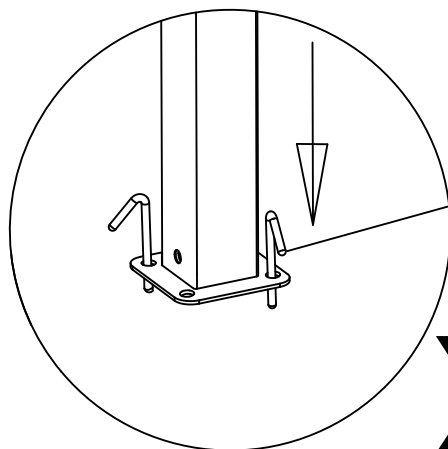
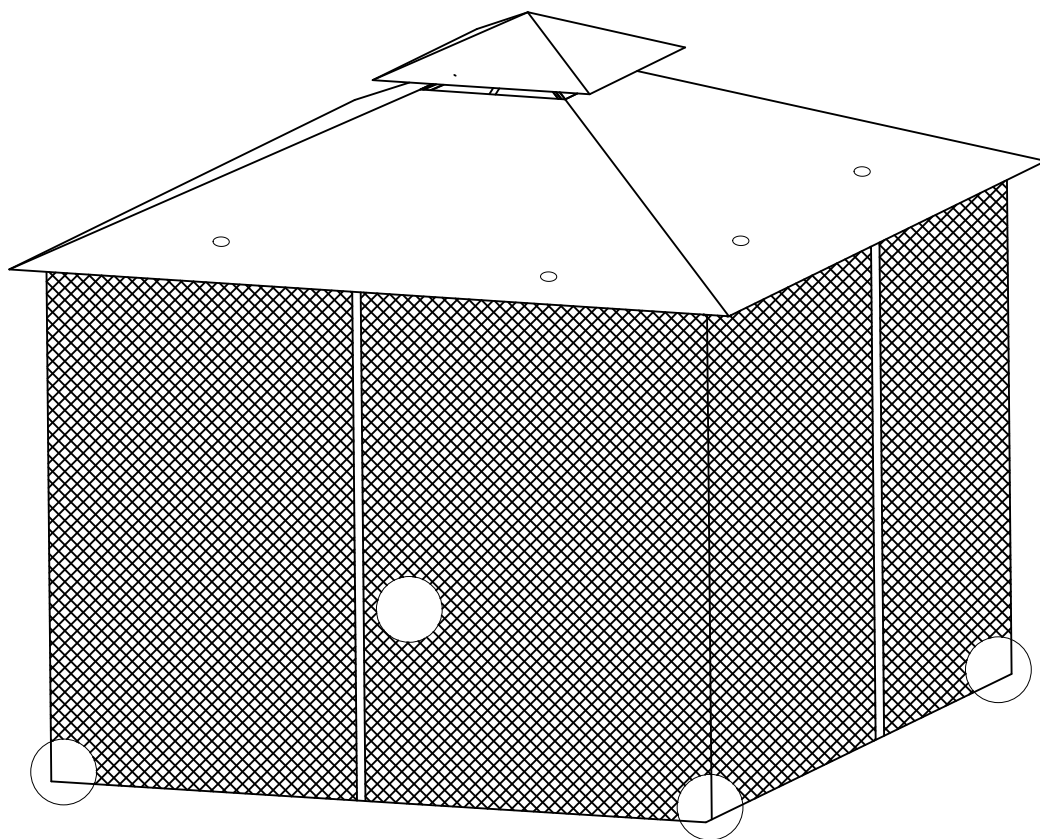
N1



12



⊙ 8X



⊙

X4

13