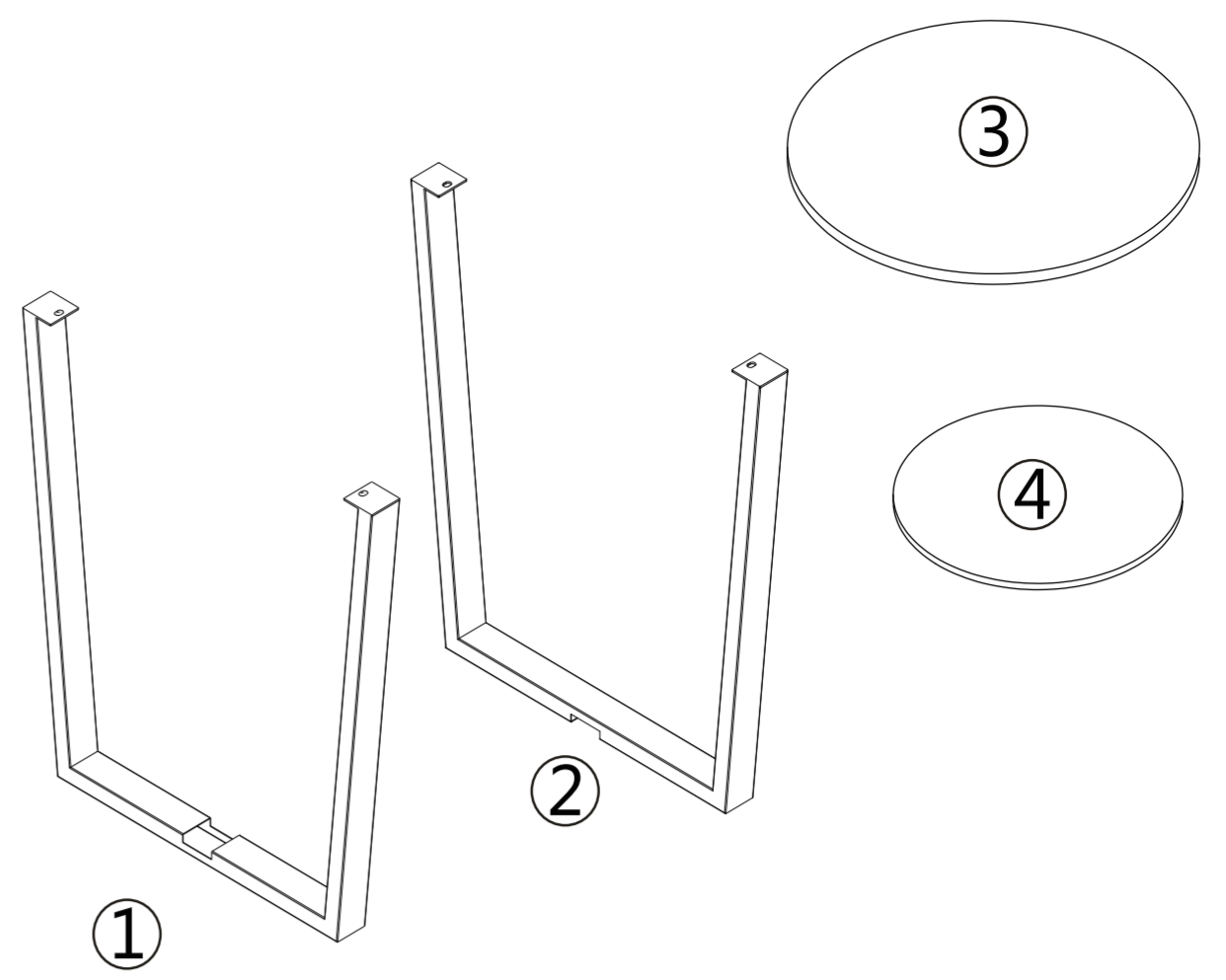
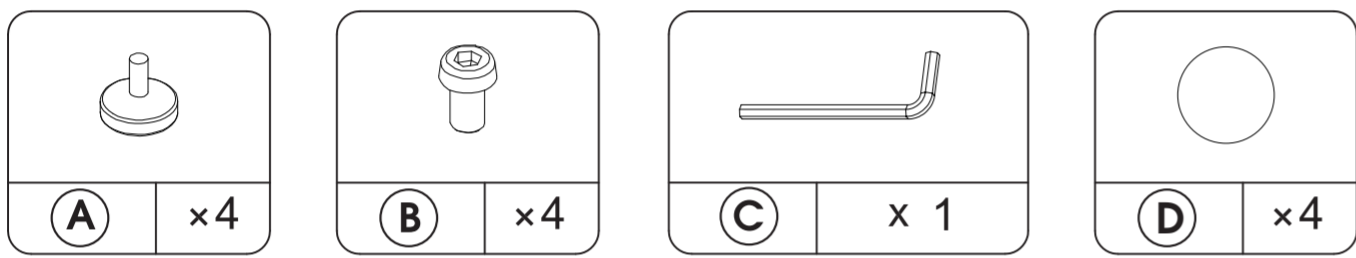


SKU : HW63074

Not actual size

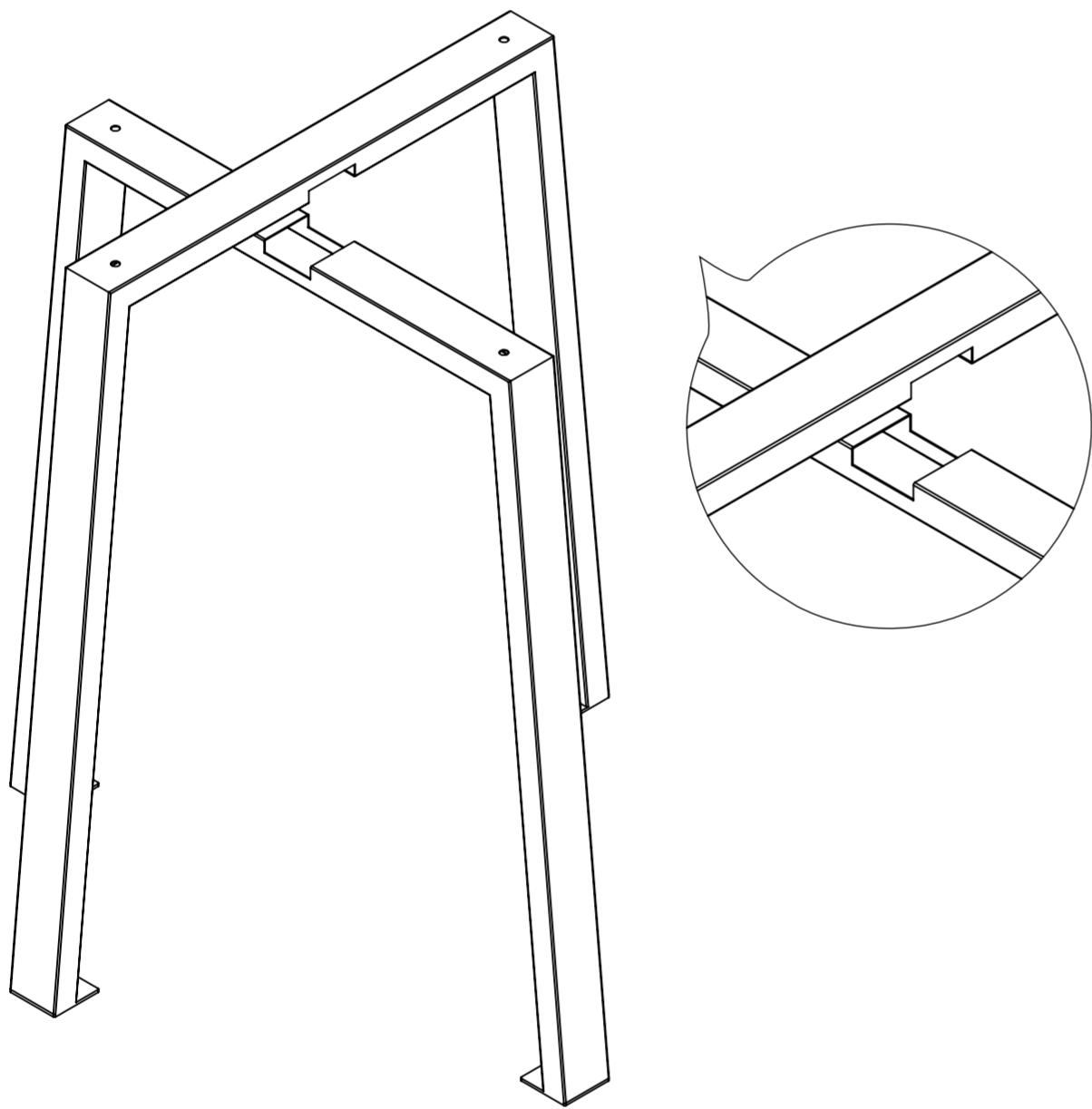


Hardware List



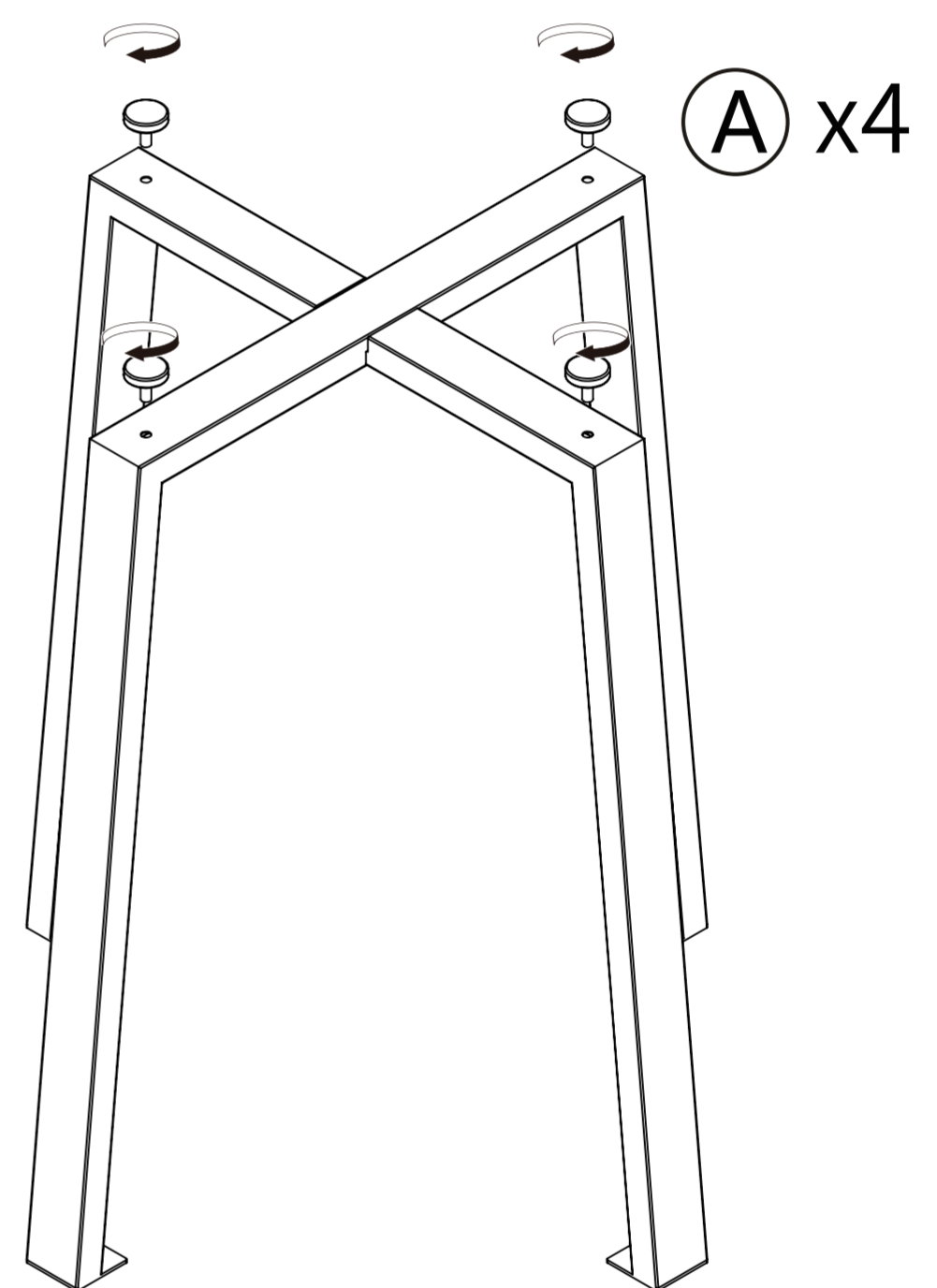
PRODUCT ASSEMBLY

STEP 1



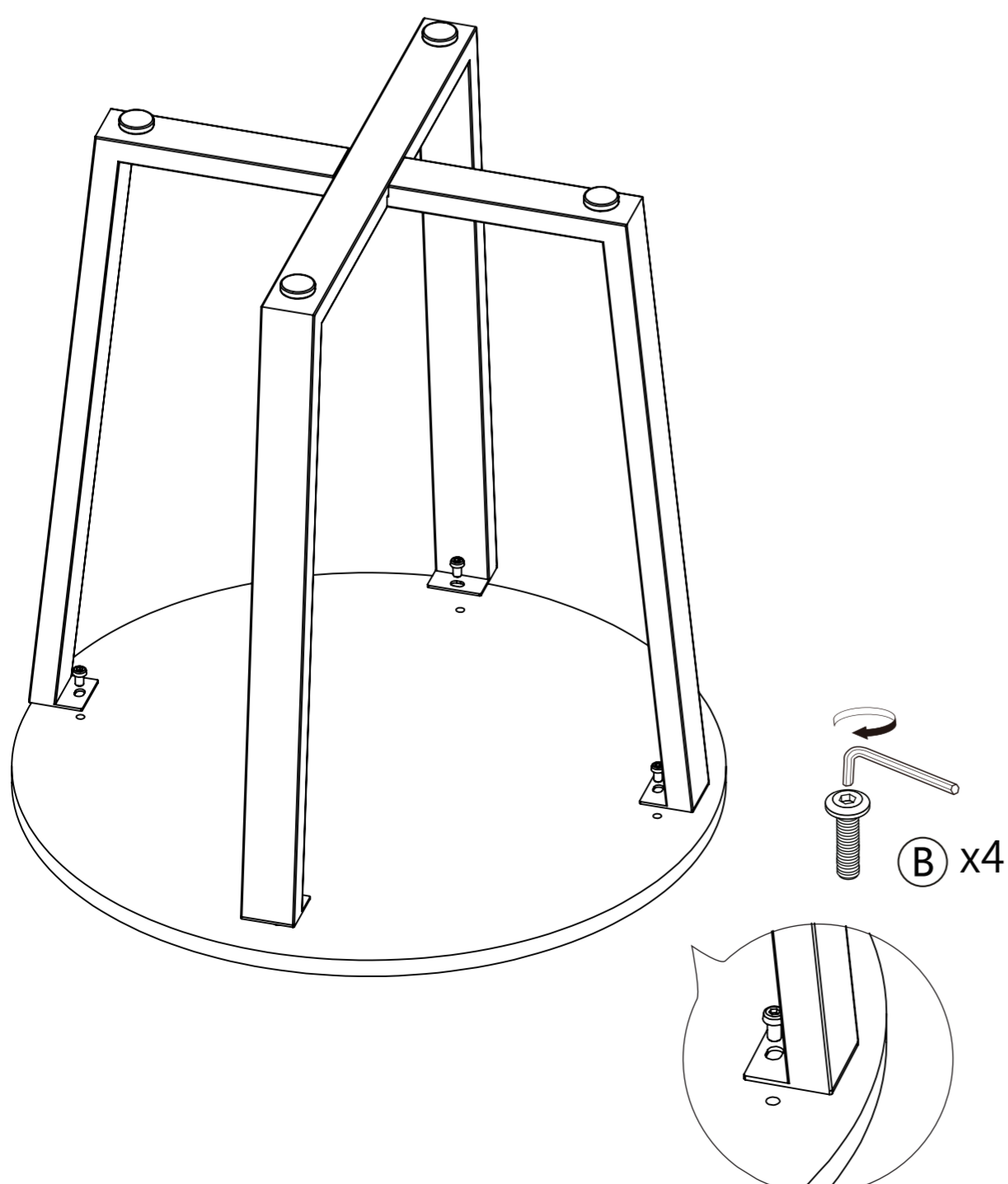
PRODUCT ASSEMBLY

STEP 2



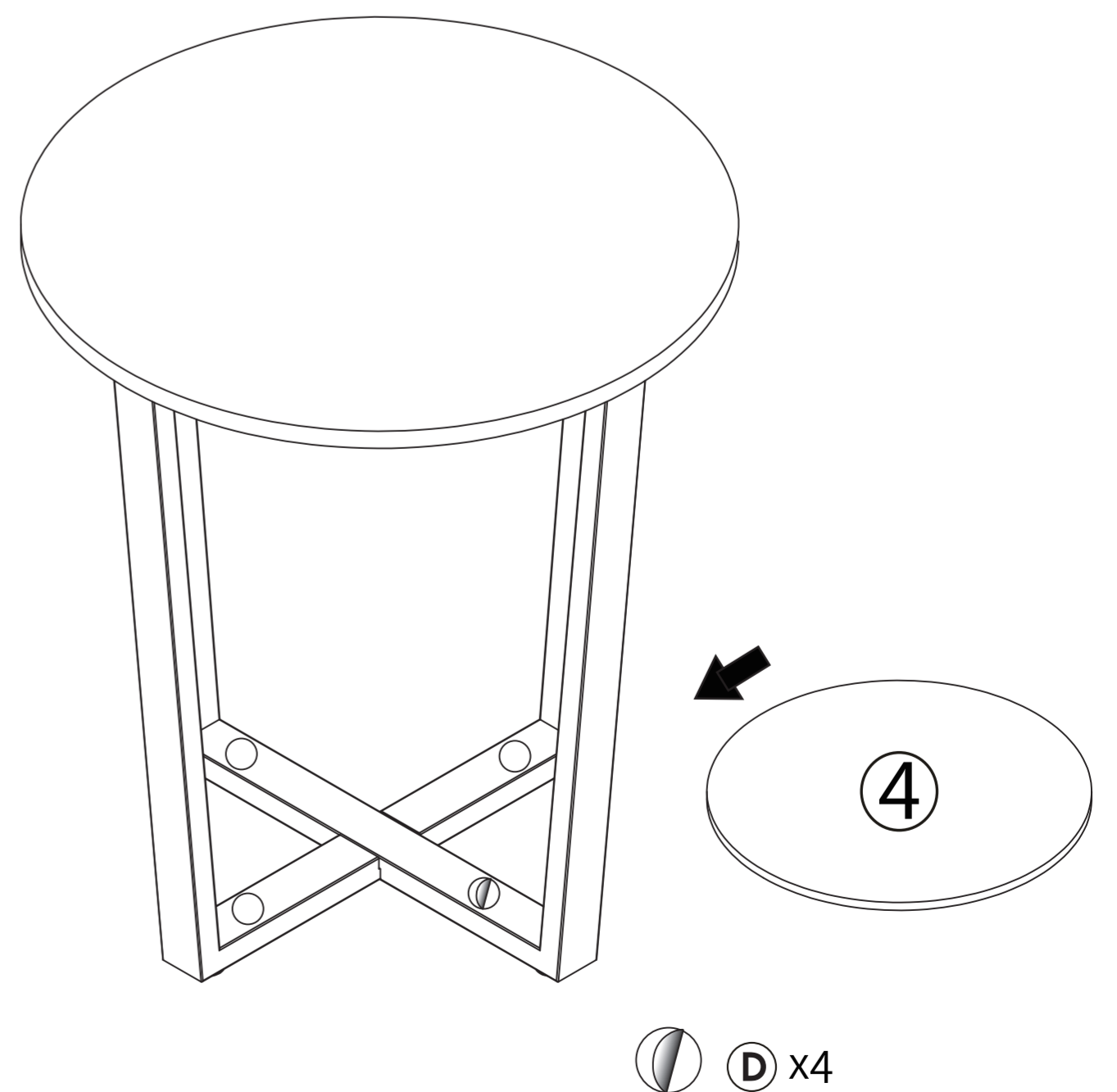
PRODUCT ASSEMBLY

STEP 3



PRODUCT ASSEMBLY

STEP 4



If you want to fixation the board, please put the round stickers on the iron frame before you place the boards on it. (The round sticker put it or not depend by you.)