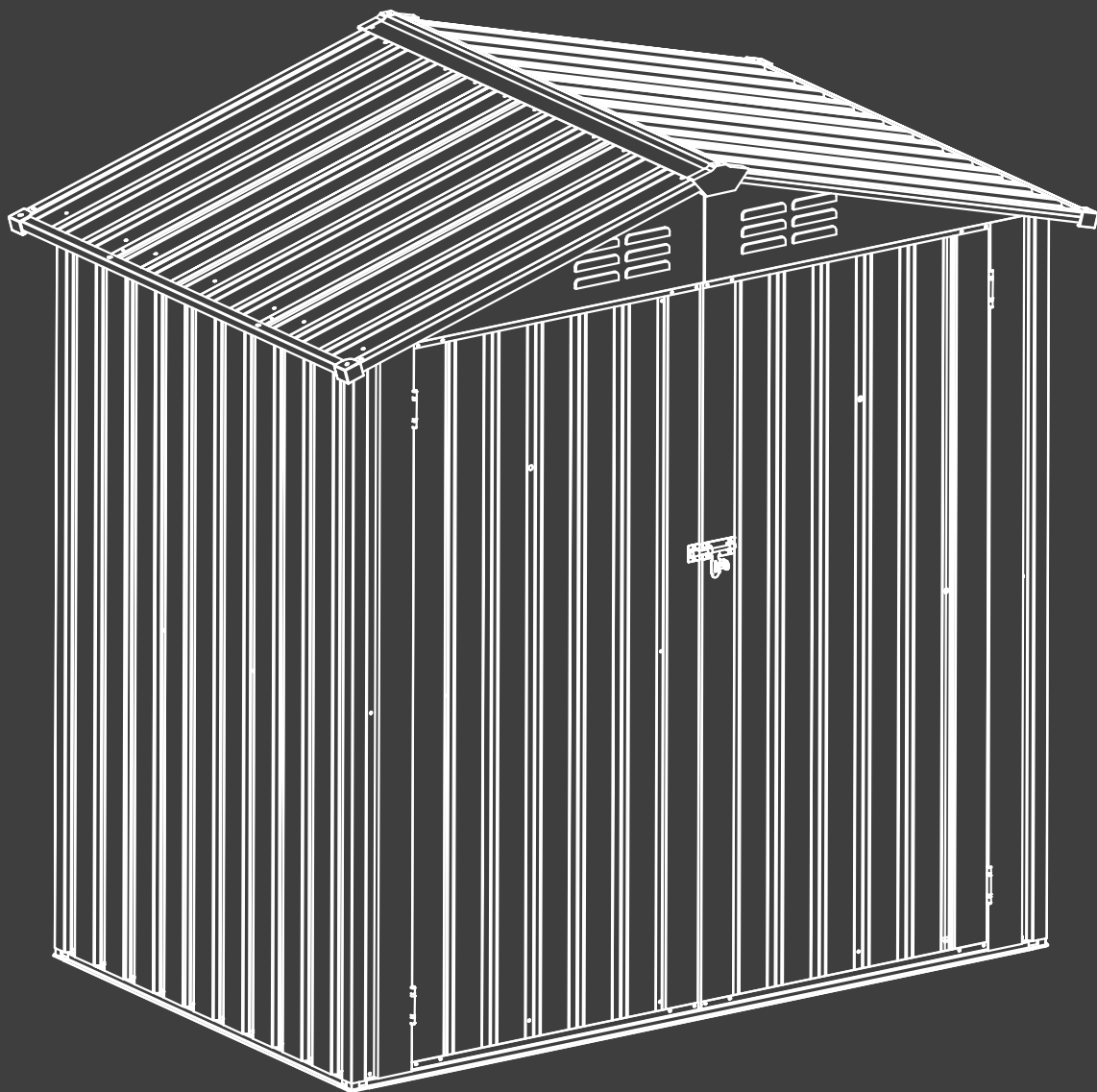


Pointed-roof tool room

6*4 Instruction Manual

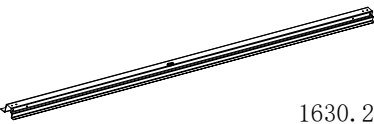

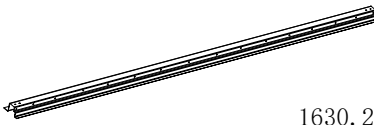


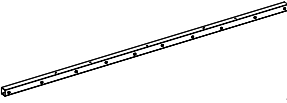
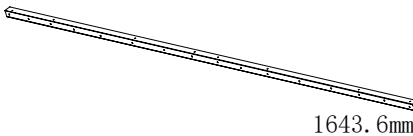
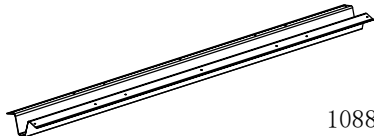




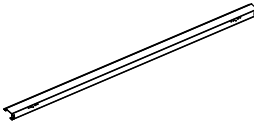

GJF-J4FT-BN


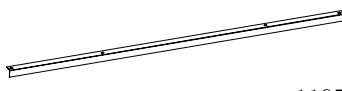


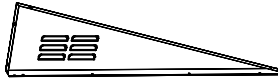
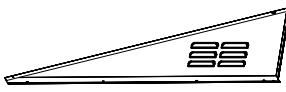

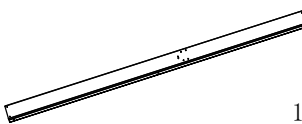
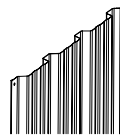


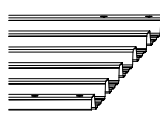

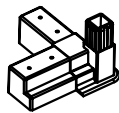



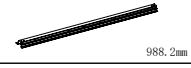
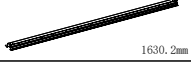


 EST 9:00AM--17:00PM

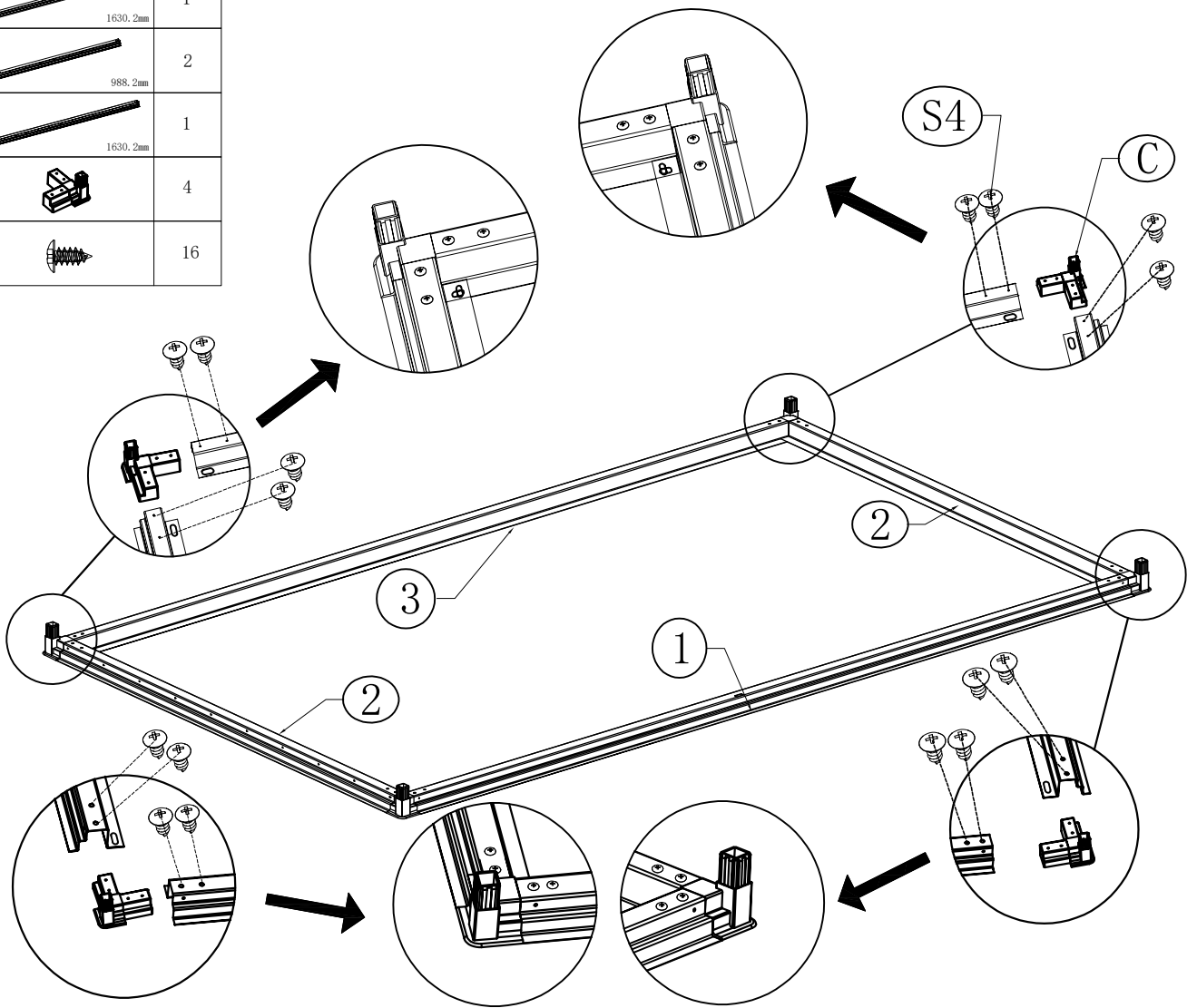
 HJ-Customer-Service@outlook.com


 (909)637-7665 | (909)637-7593

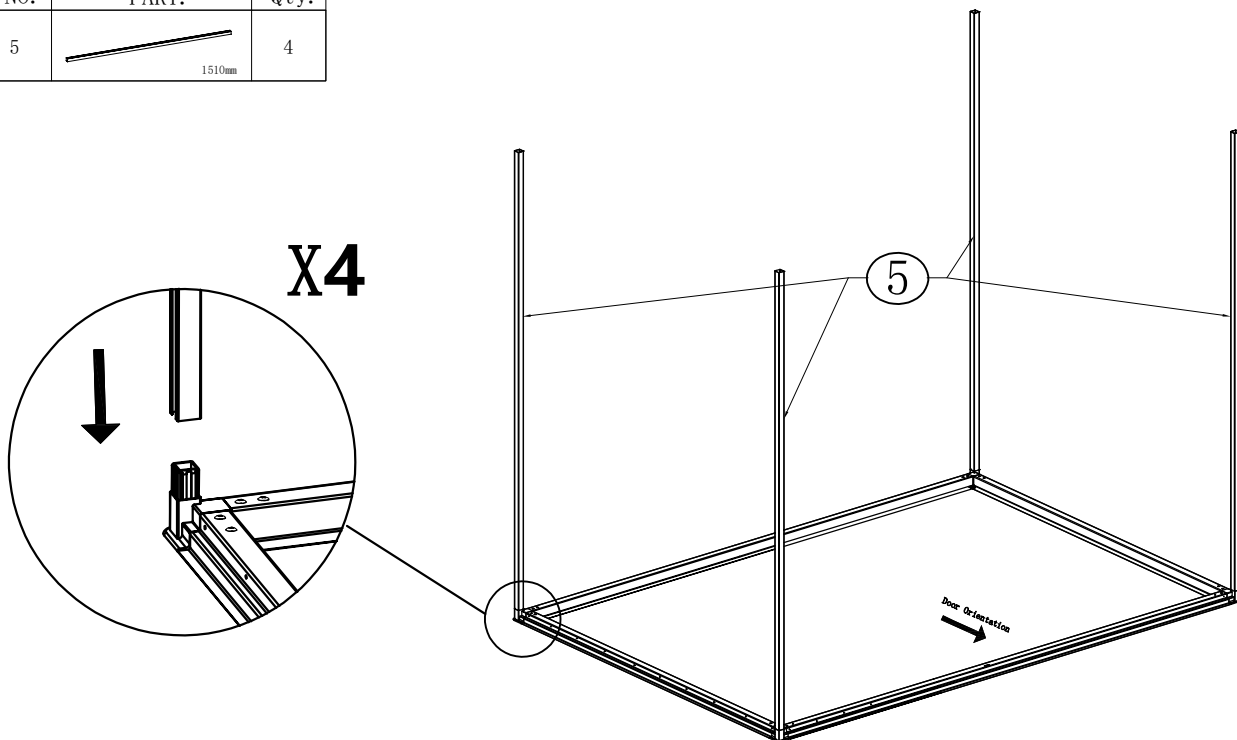
NO.	PART.	Qty.
1	 1630.2mm	1
2	 988.2mm	2
3	 1630.2mm	1
5	 1510mm	4
6	 1643.6mm	1
7	 1001.4mm	2
8	 1643.6mm	1
9	 1088mm	1
11L	 230mm	2
11R	 230mm	2
15	 940.9mm	4
16	 1555mm	2
17L	 1560mm	1
17R	 1560mm	1



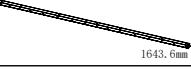


NO.	PART.	Qty.
18	 1197mm	1
19	 1197mm	2
20	 951mm	4
21	 705mm	4
21L		2
21R		2
22	 1555mm	1
23	 1555mm	1
W3	 1560mm	7
W7	 1560mm	4
W12	 943mm	4
W15	 943mm	2
M1	 1553mm	2
C		4

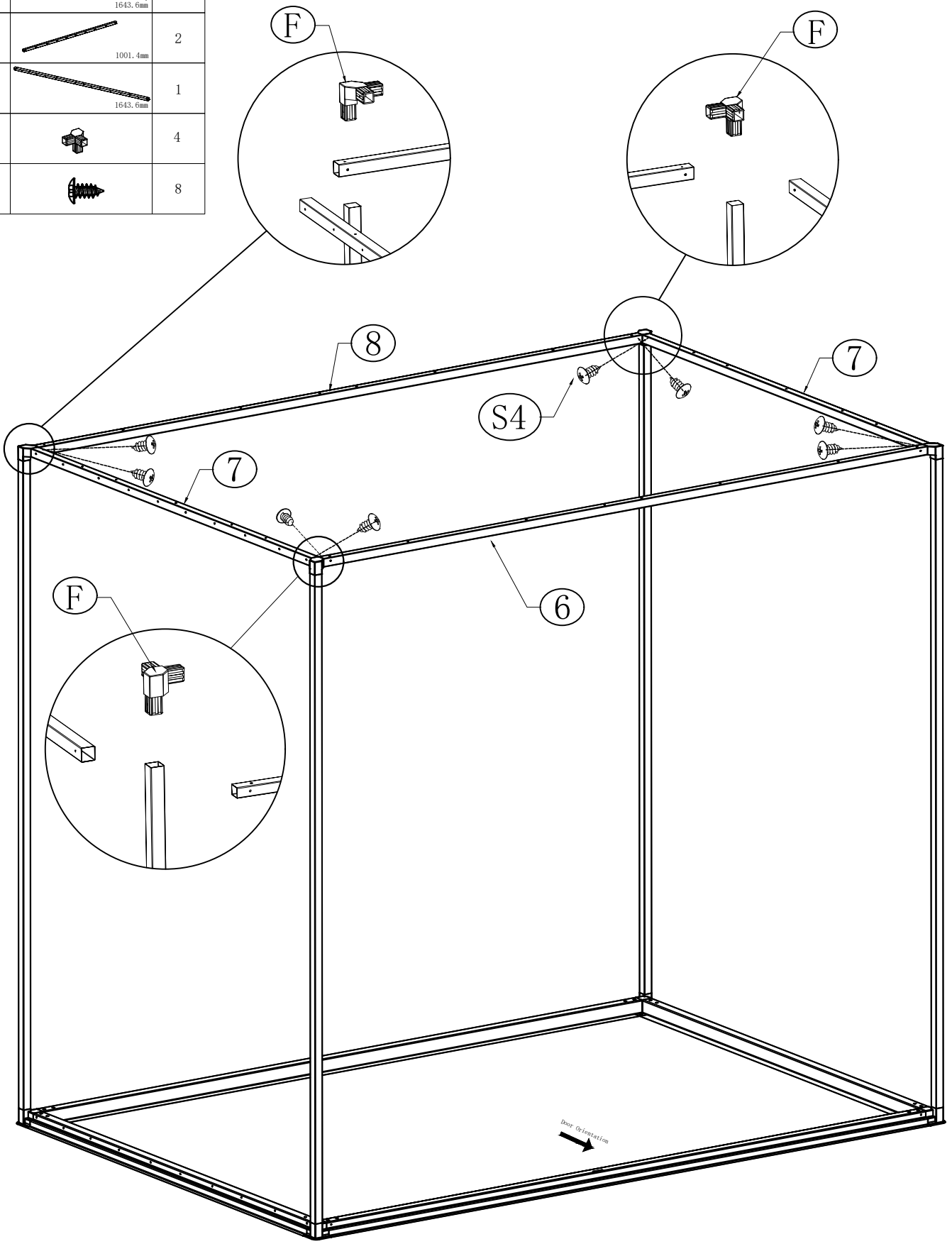
NO.	PART.	Qty.
1	 1630, 2mm	1
2	 988, 2mm	2
3	 1630, 2mm	1
C		4
S4		16

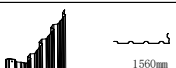



NO.	PART.	Qty.
5	 1510mm	4

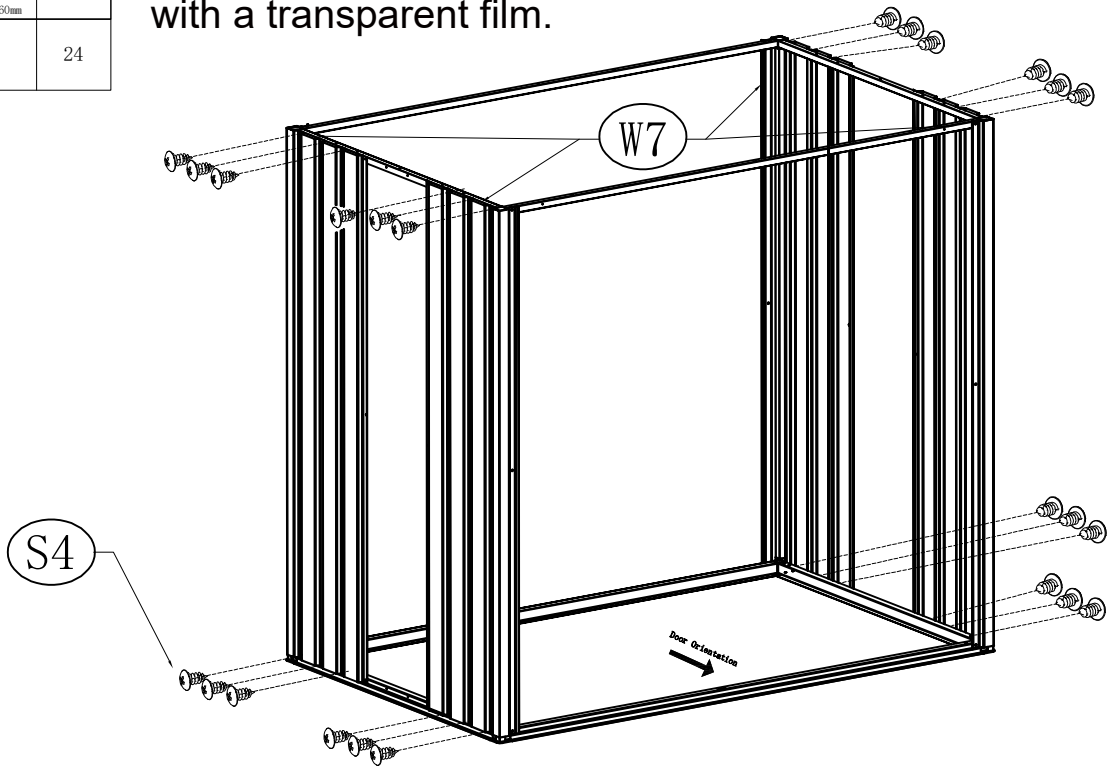



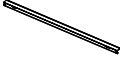



NO.	PART.	Qty.
6	 1643, 6mm	1
7	 1001, 4mm	2
8	 1643, 6mm	1
F		4
S4		8



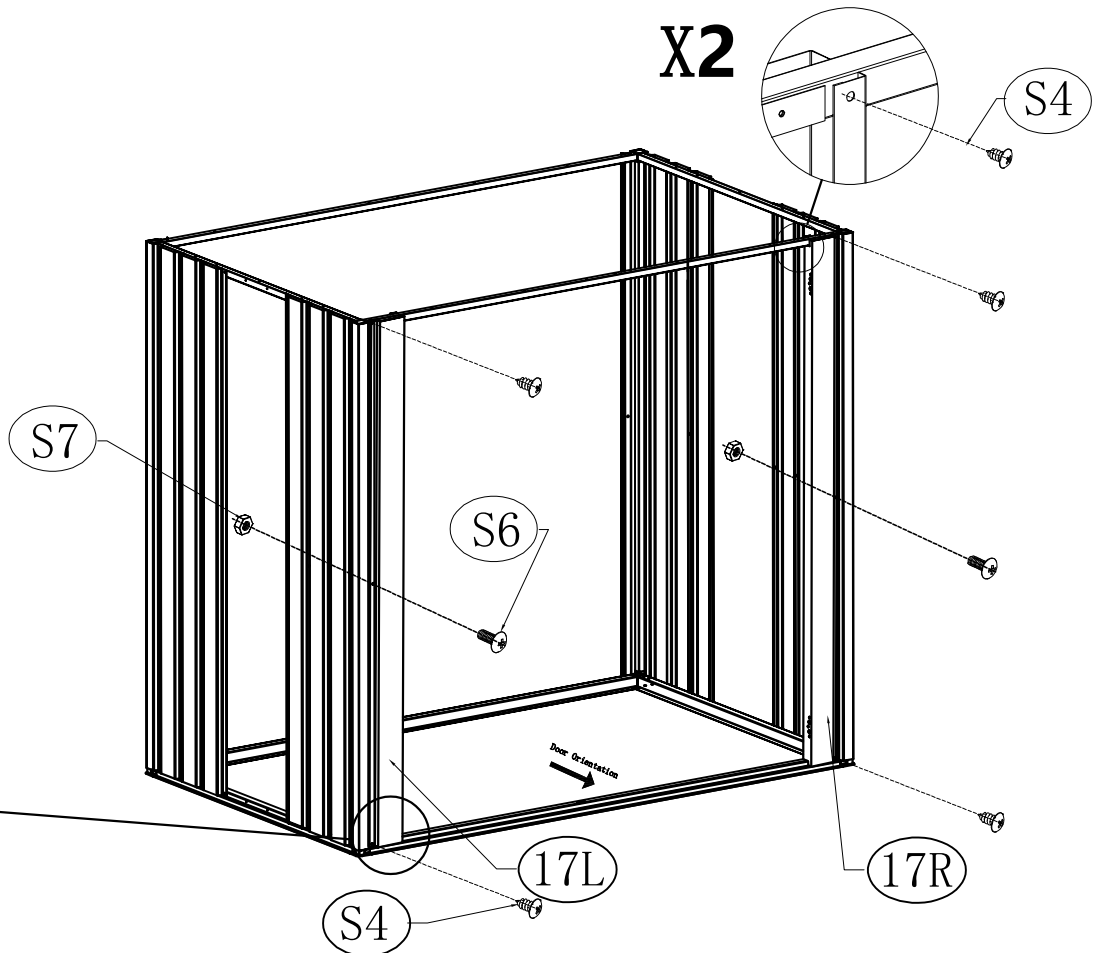
NO.	PART.	Qty.
W7	 1560mm	4
S4		24

The surface of the tiles is covered with a transparent film.

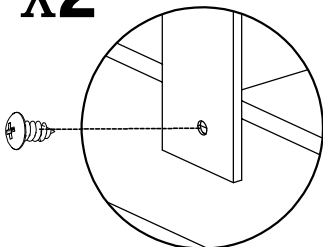






NO.	PART.	Qty.
17L	 1560mm	1
17R	 1560mm	1
S4		8
S6		2
S7		2

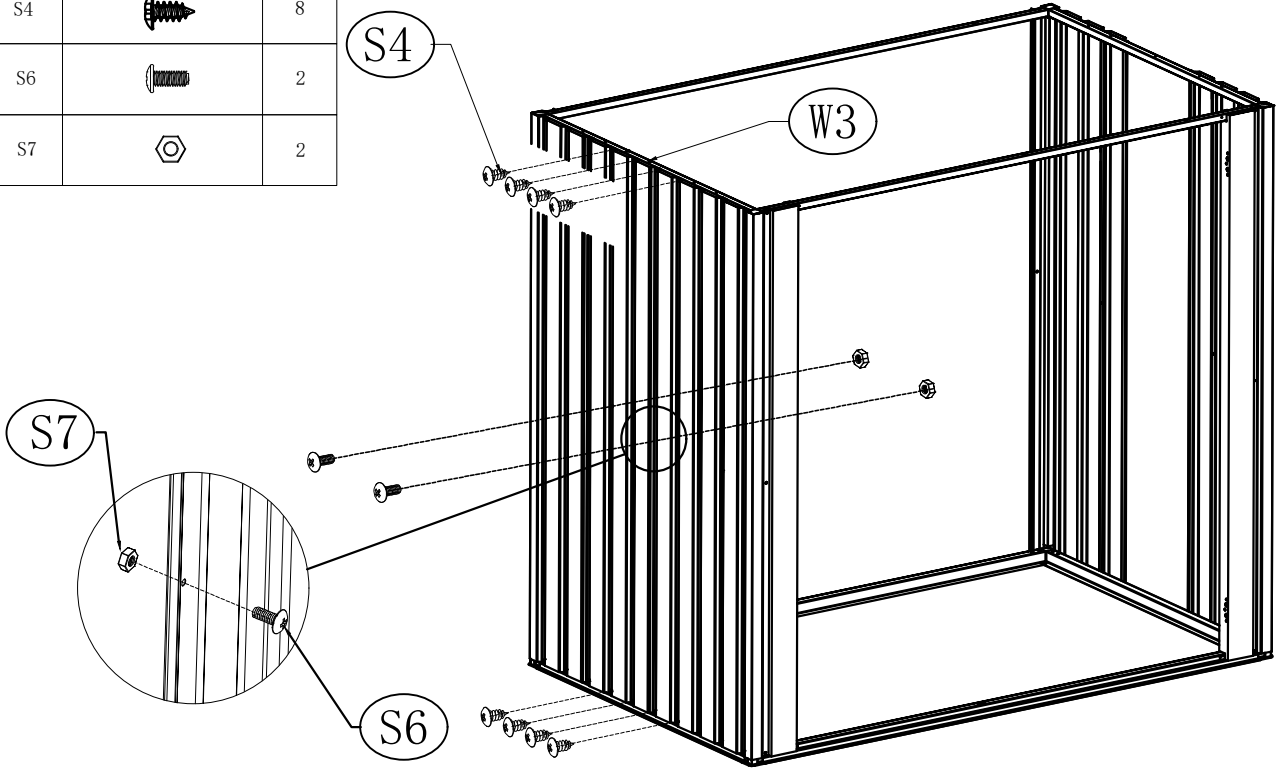
X2







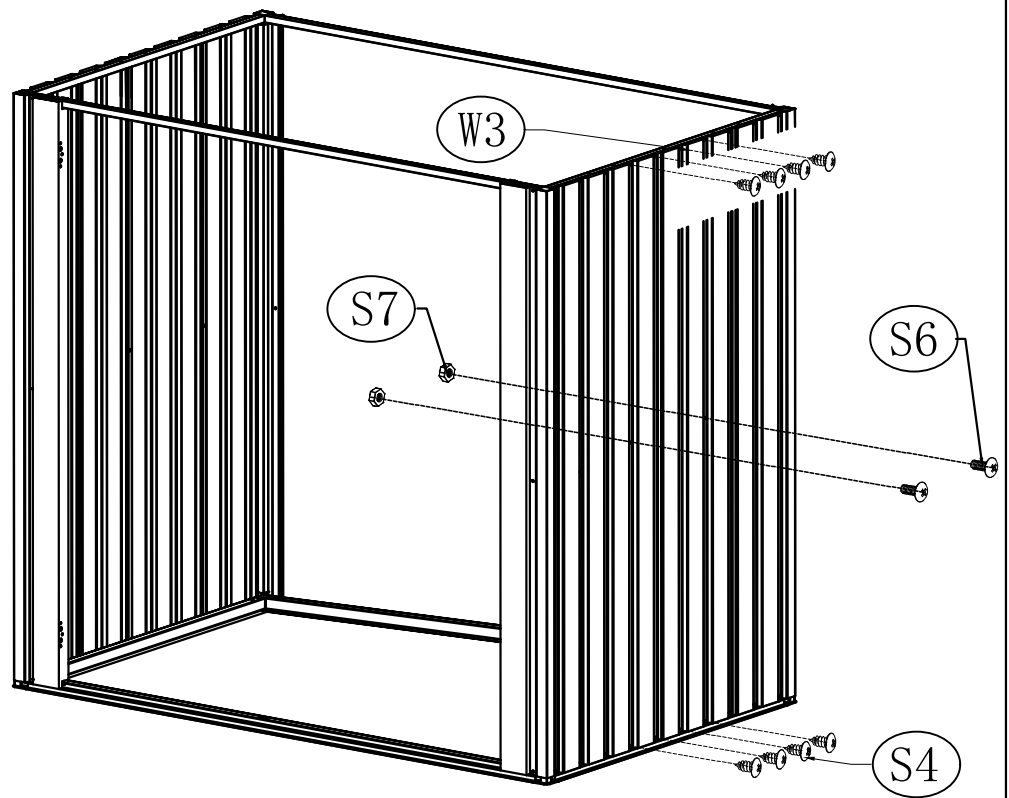
X2





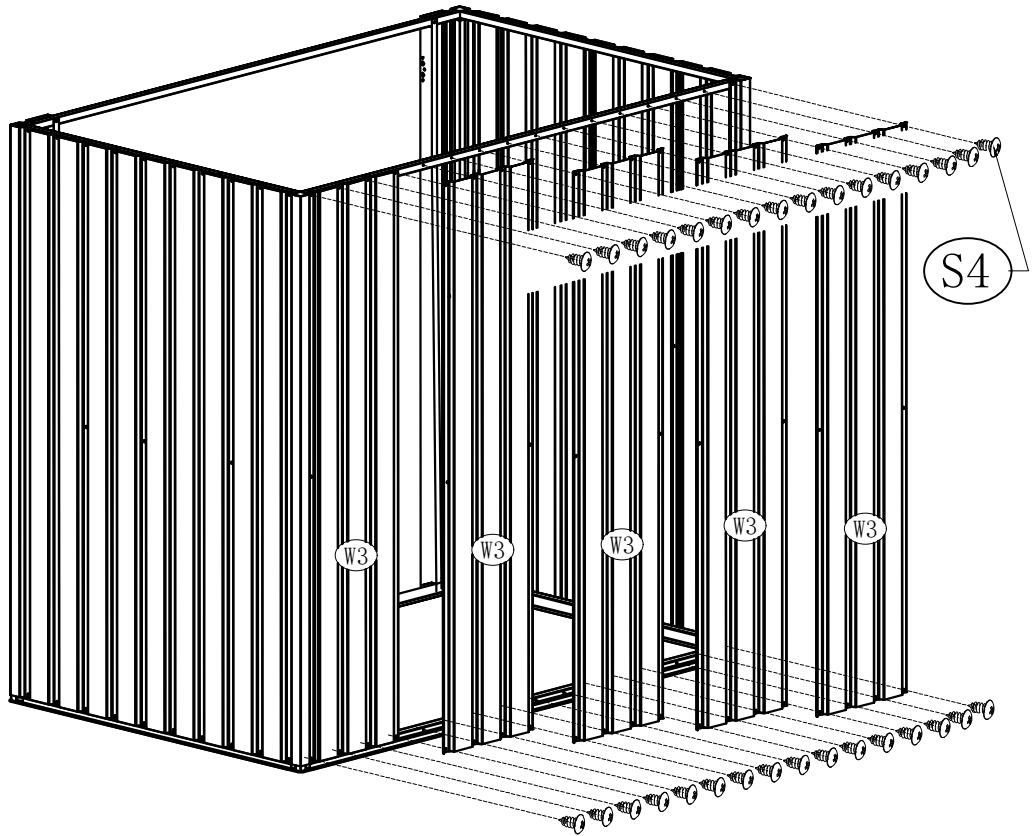
NO.	PART.	Qty.
W3	 1560mm	1
S4		8
S6		2
S7		2





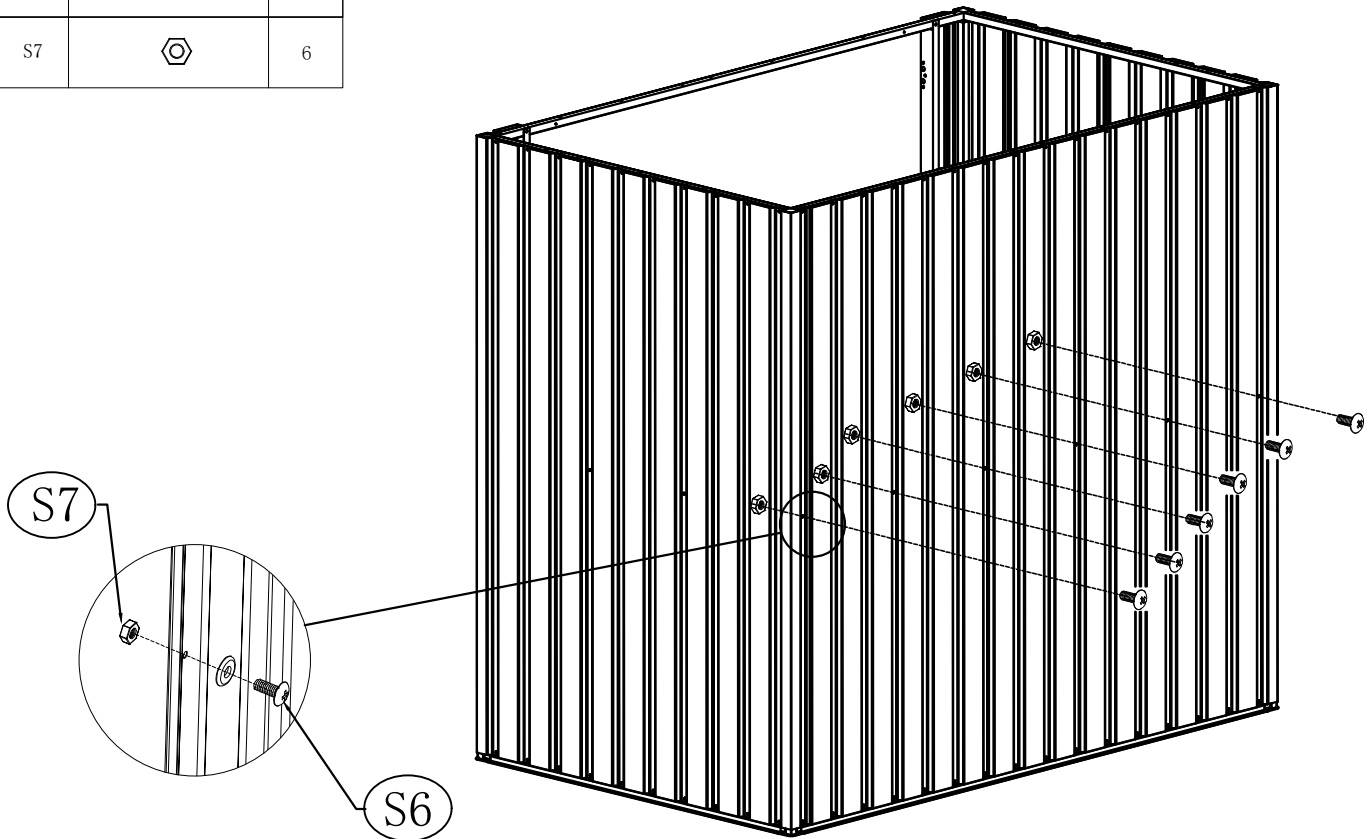
NO.	PART.	Qty.
W3	 1560mm	1
S4		8
S6		2
S7		2



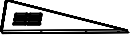





NO.	PART.	Qty.
W3	 1560mm	5
S4		32

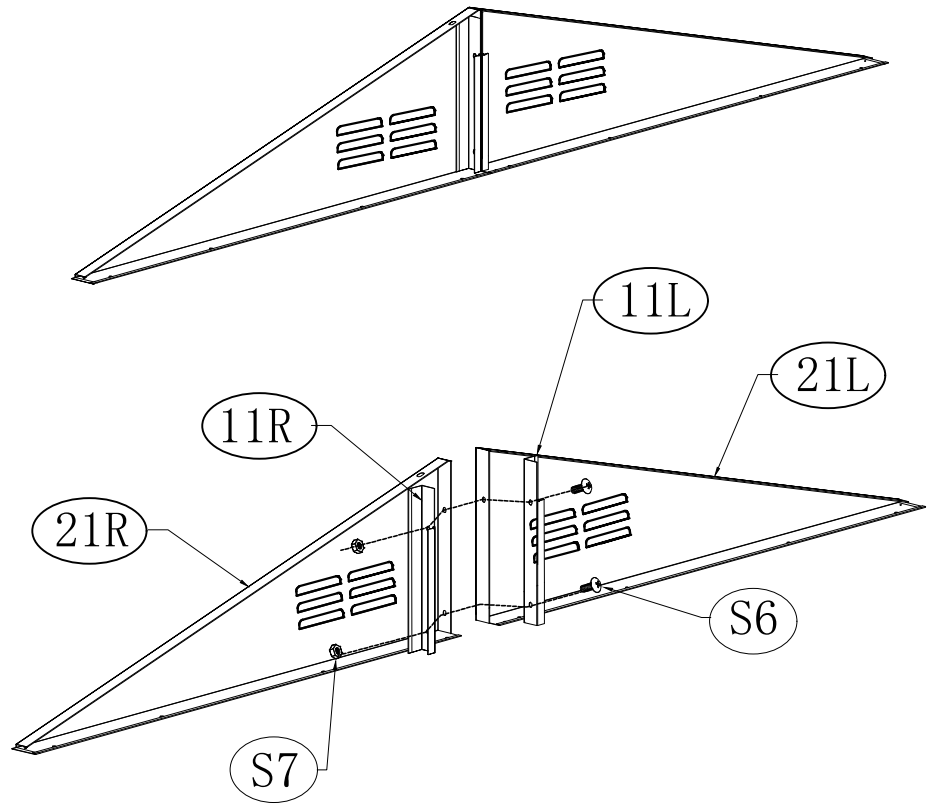



NO.	PART.	Qty.
S6		6
S7		6

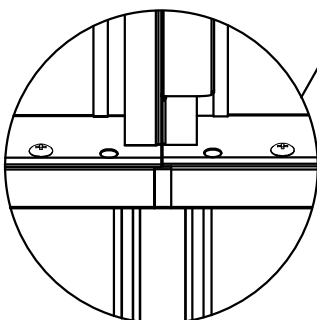
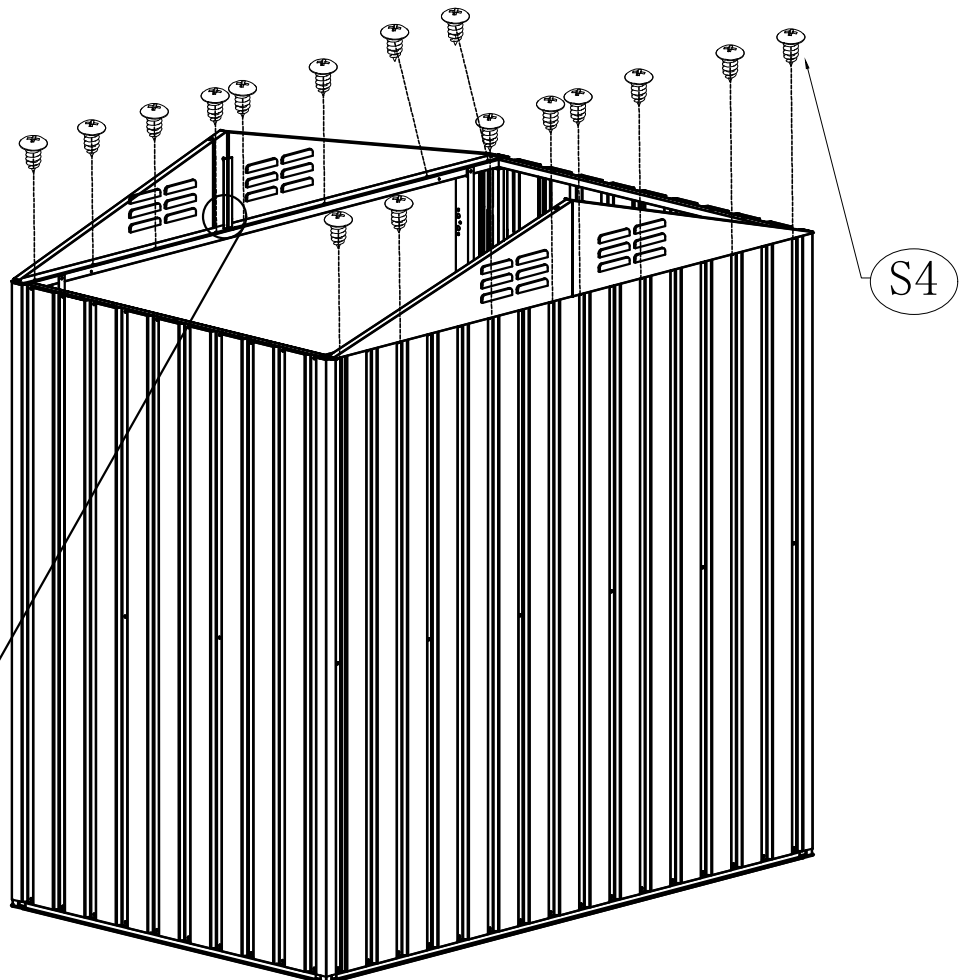



NO.	PART.	Qty.
11L	 230mm	2
11R	 230mm	2
21L		2
21R		2
S6		4
S7		4

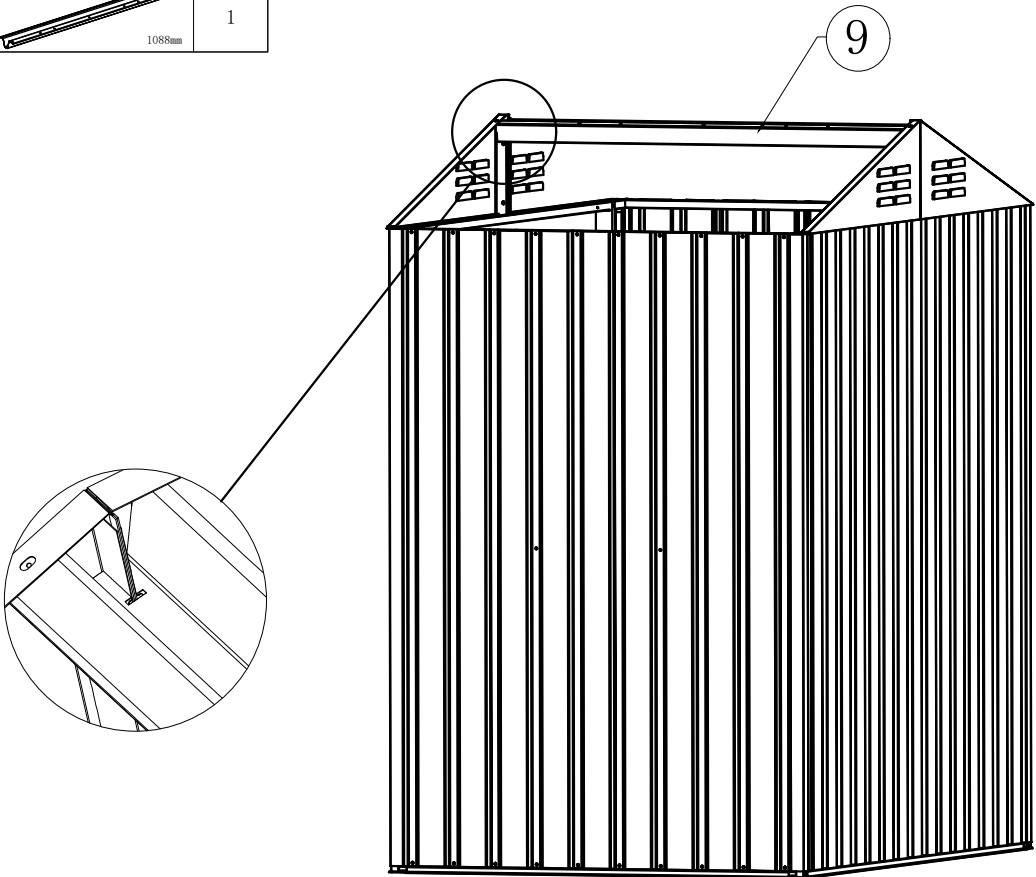
X2






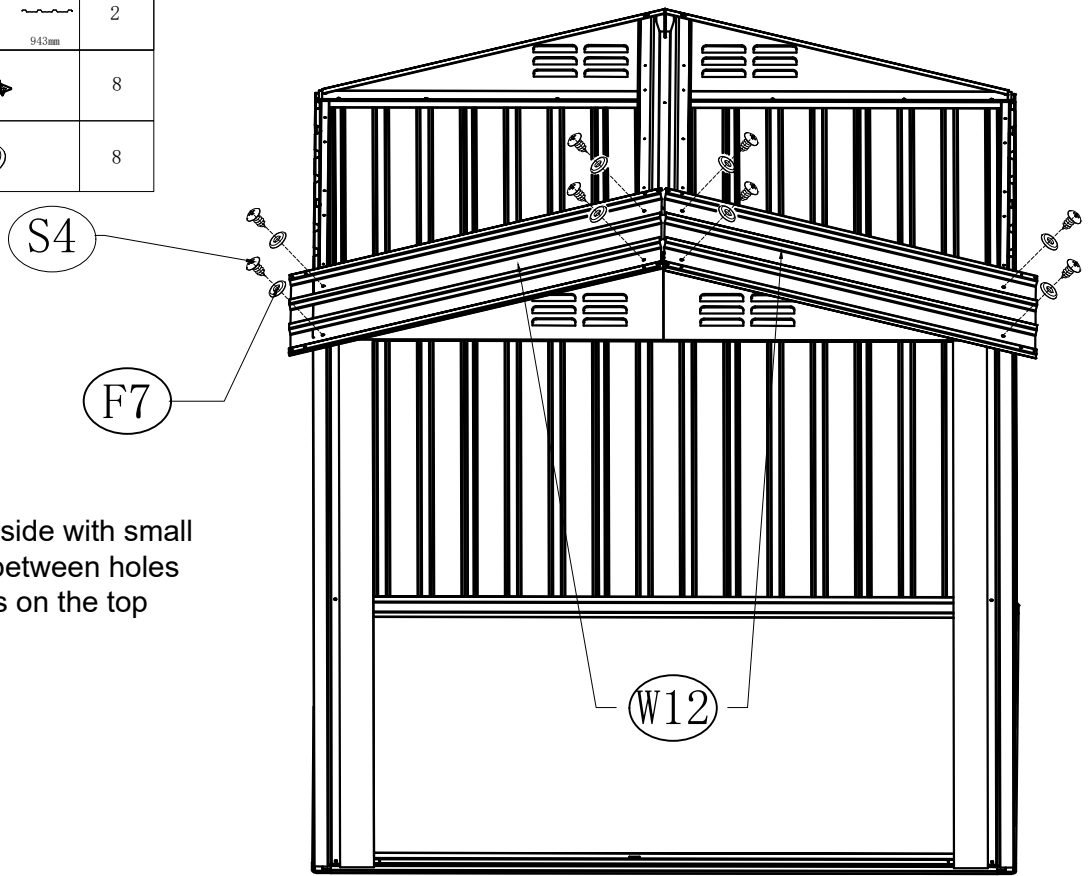
NO.	PART.	Qty.
S4		16



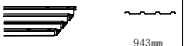
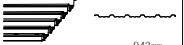


NO.	PART.	Qty.
9	 1088mm	1

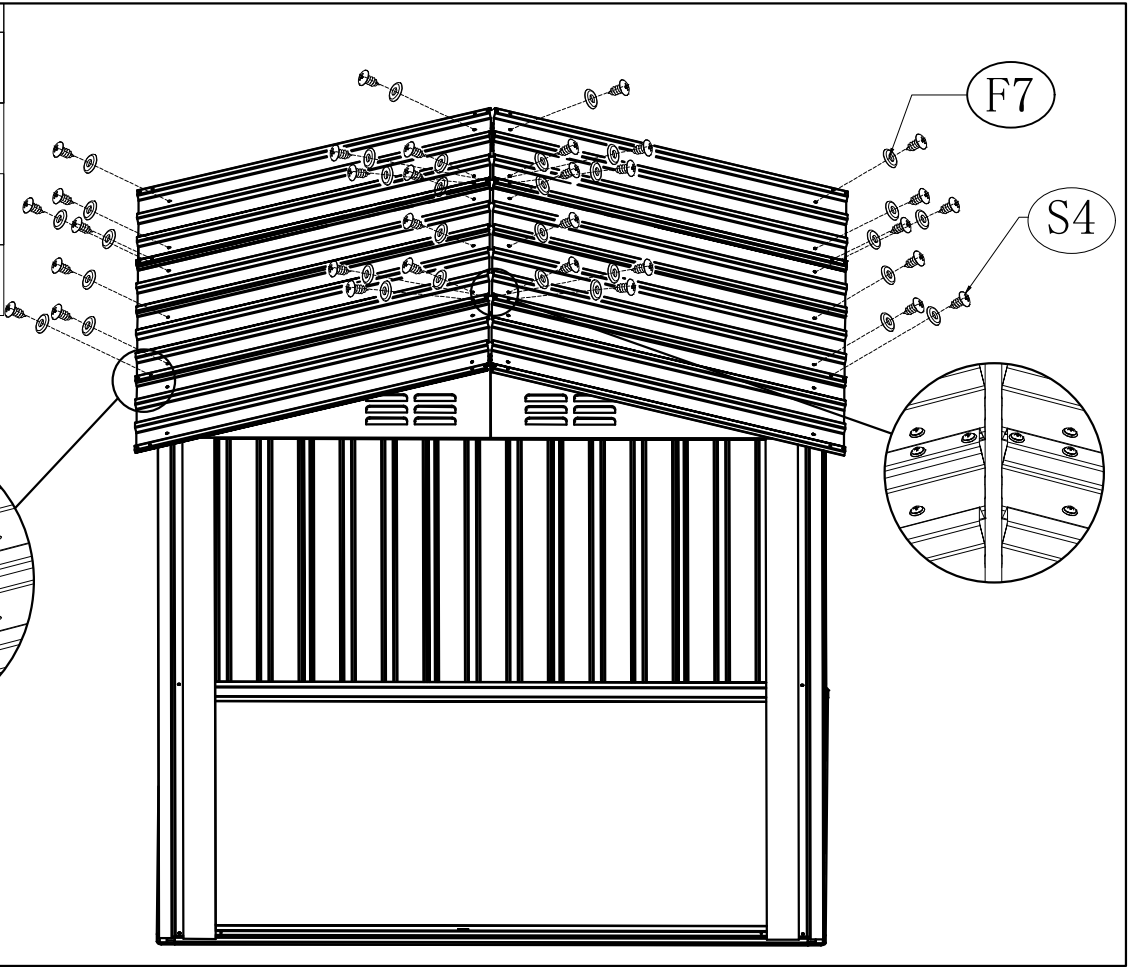



NO.	PART.	Qty.
W12	 943mm	2
S4		8
F7		8

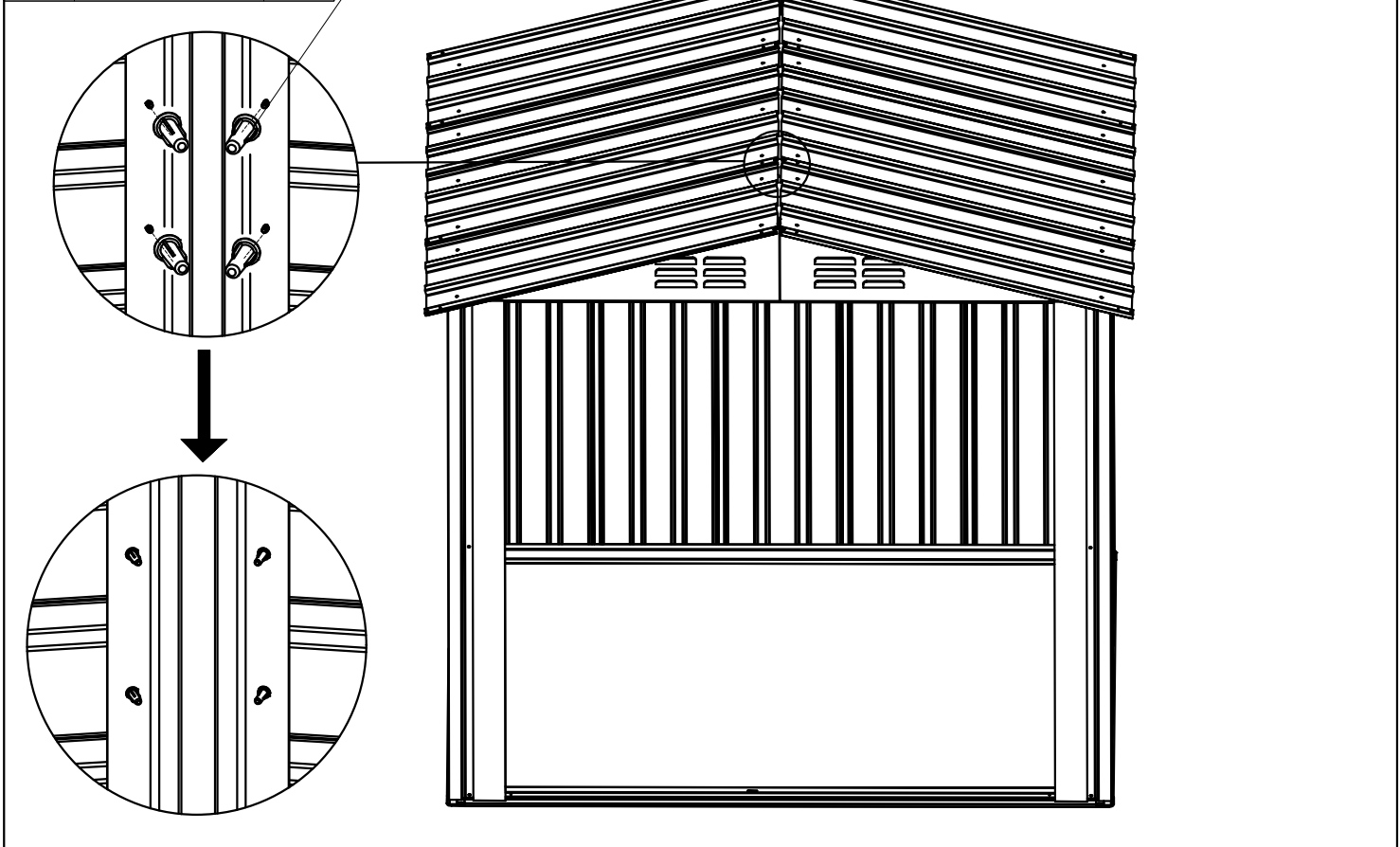





Place the side with small distance between holes and edges on the top

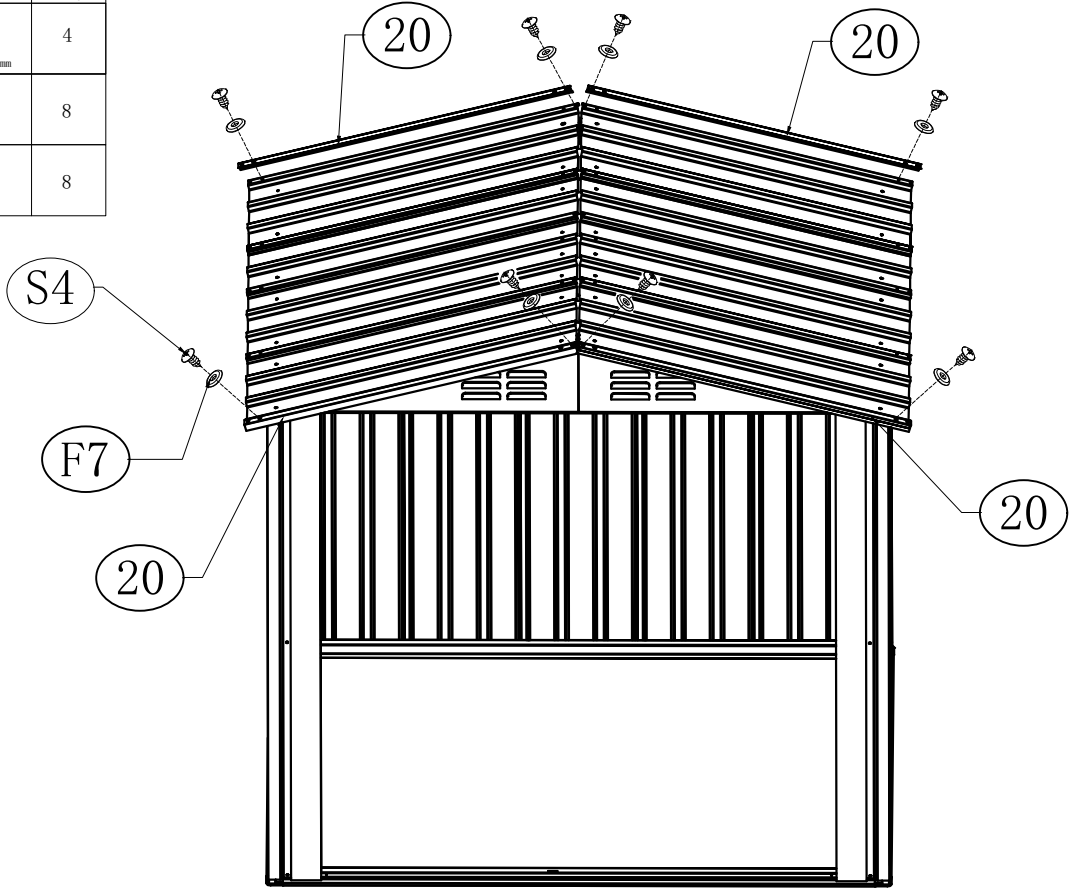
NO.	PART.	Qty.
W12	 943mm	2
W15	 943mm	2
S4		32
F7		32








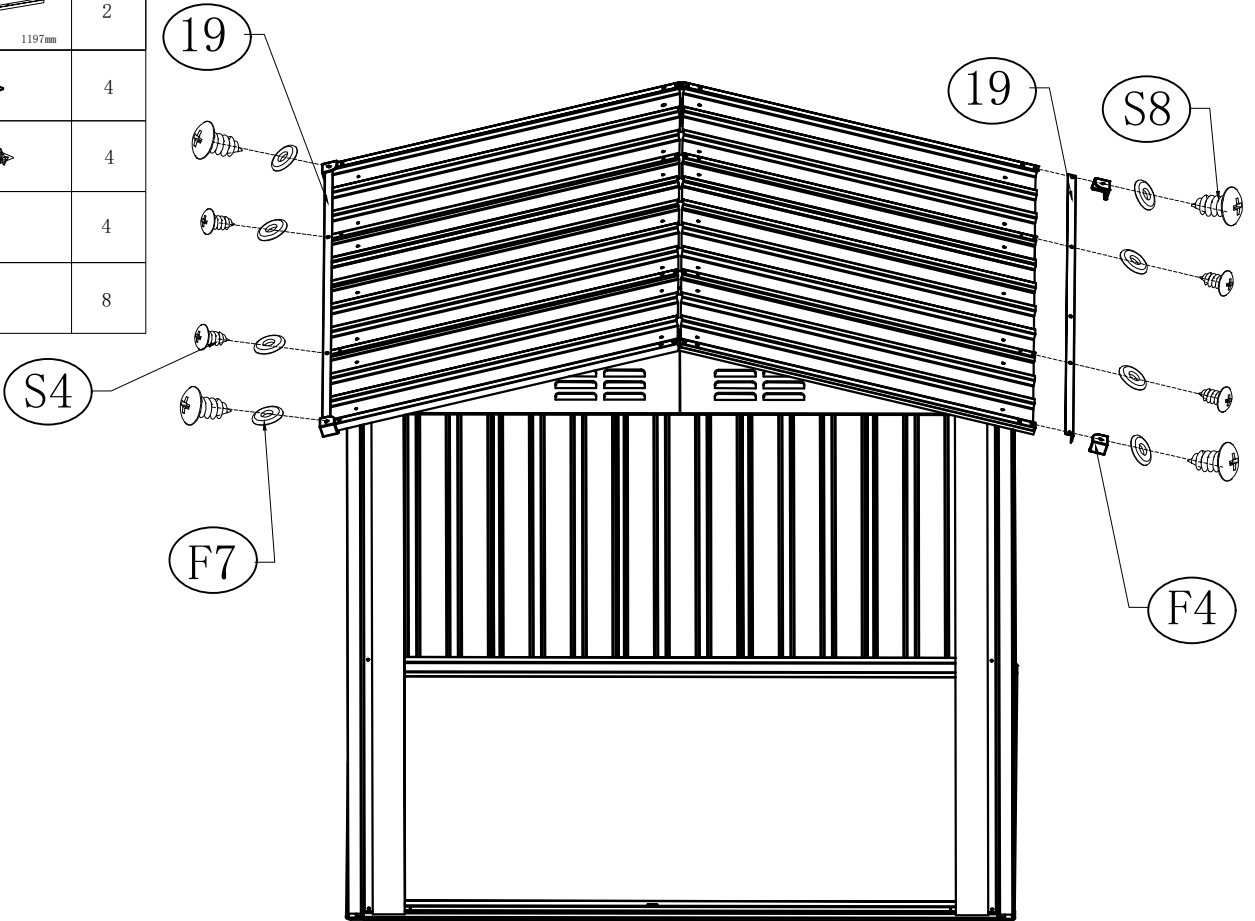
NO.	PART.	Qty.
F8		14




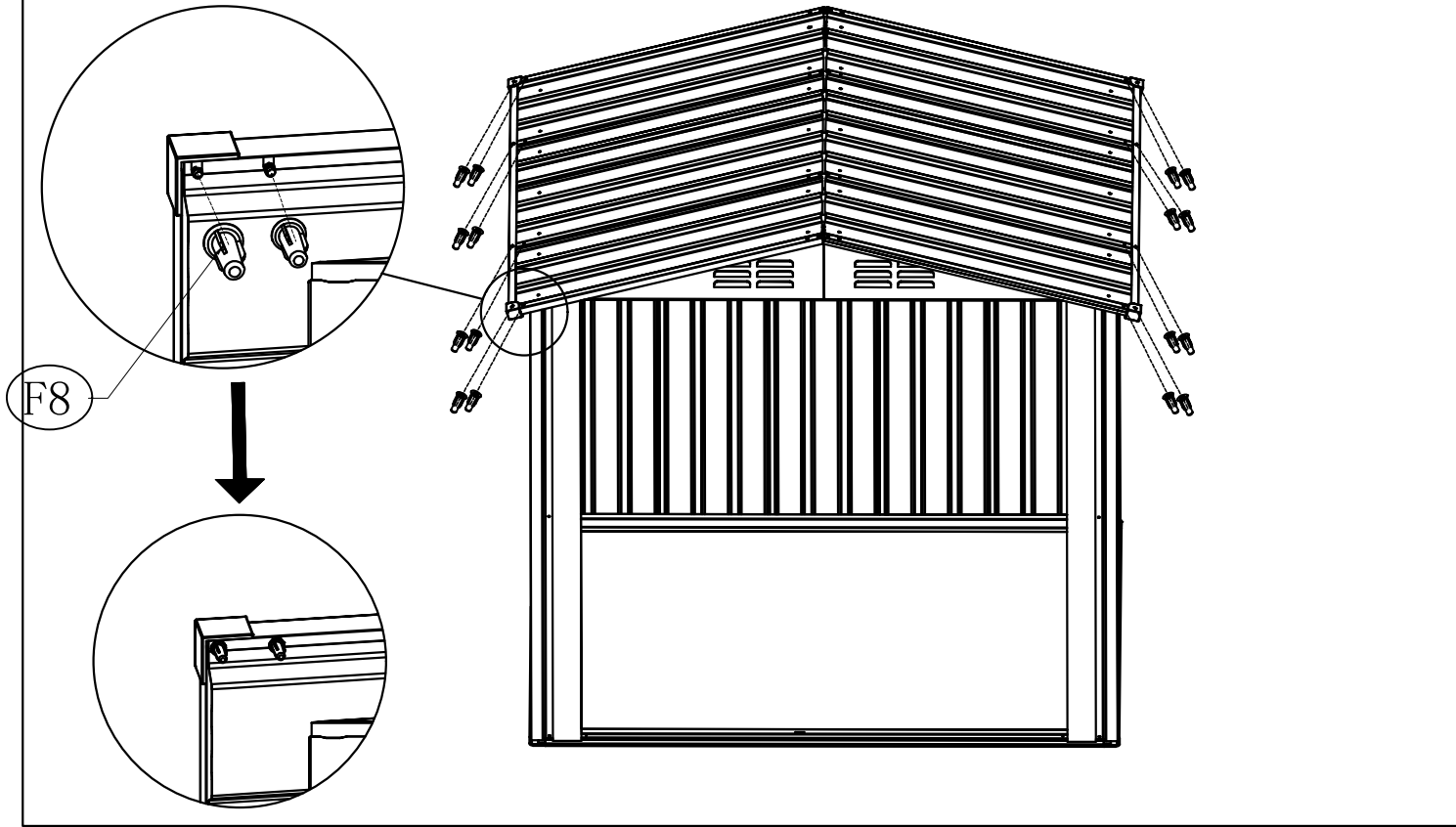
NO.	PART.	Qty.
20	 951mm	4
S4		8
F7		8







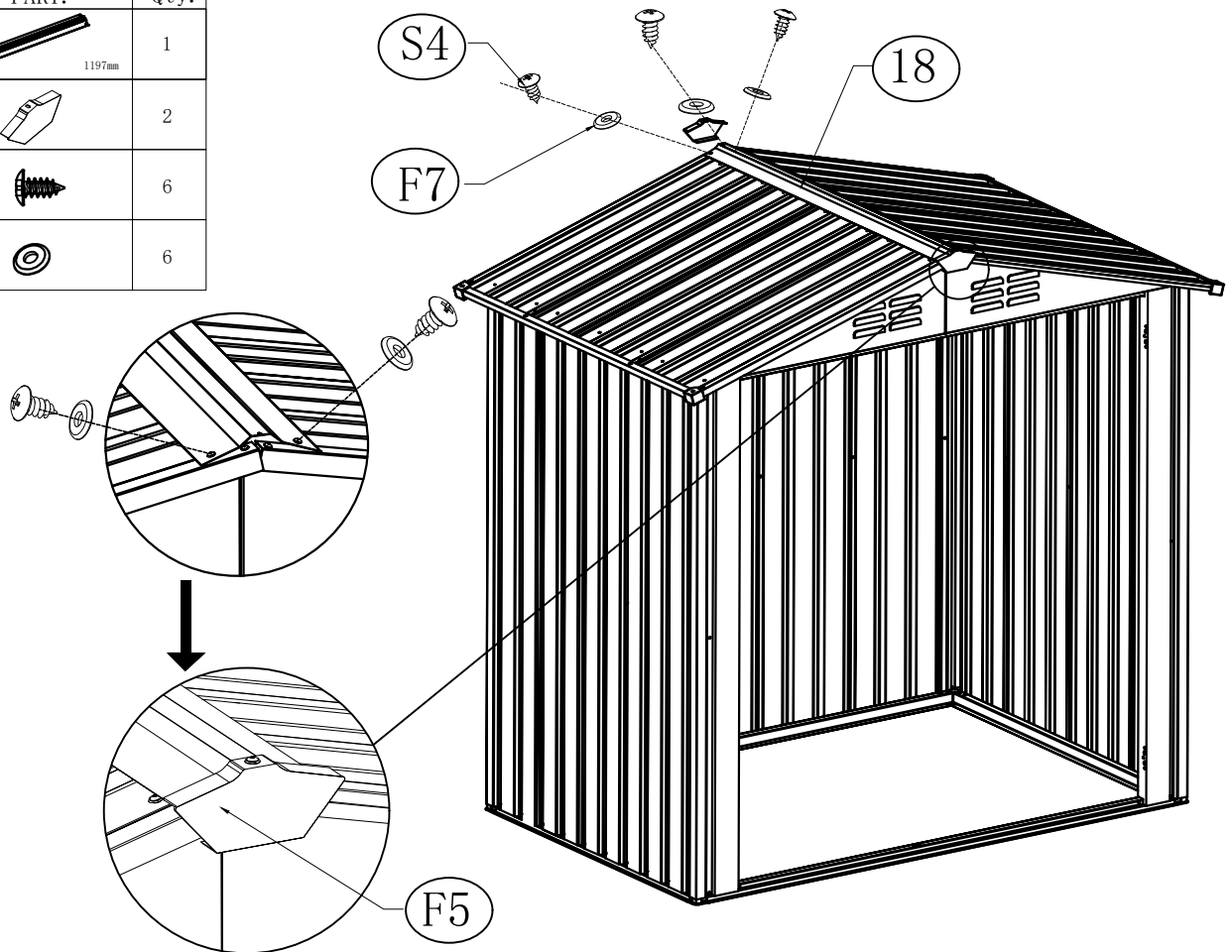
NO.	PART.	Qty.
19	 1197mm	2
S4		4
S8		4
F4		4
F7		8







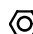



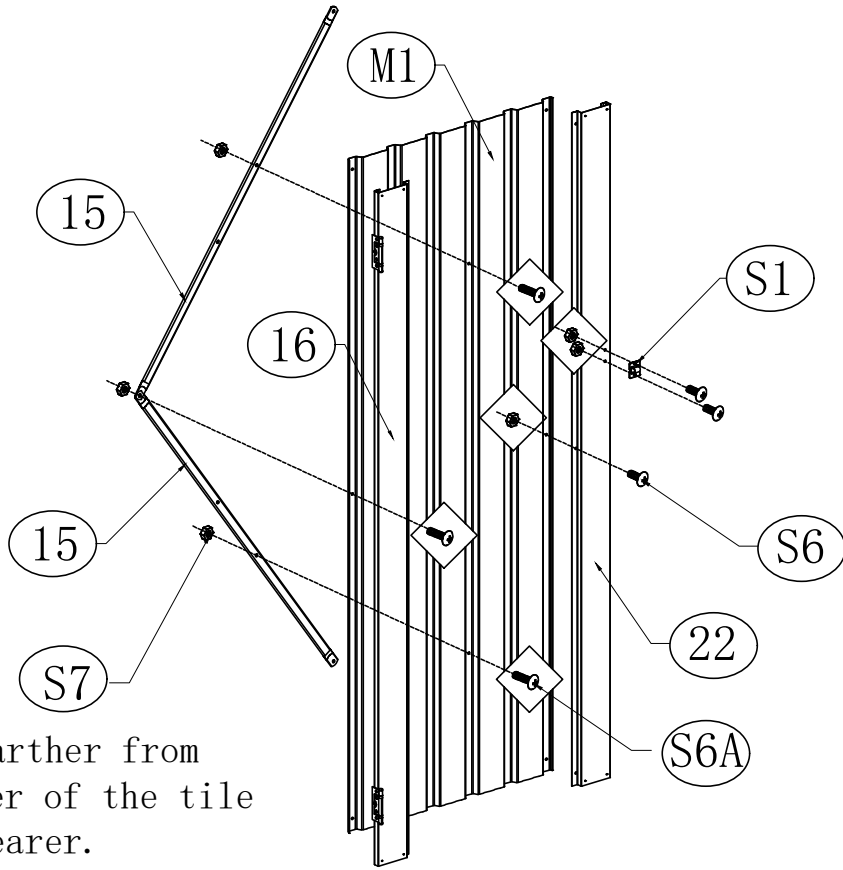
NO.	PART.	Qty.
F8		16





NO.	PART.	Qty.
18	 1197mm	1
F5		2
S4		6
F7		6

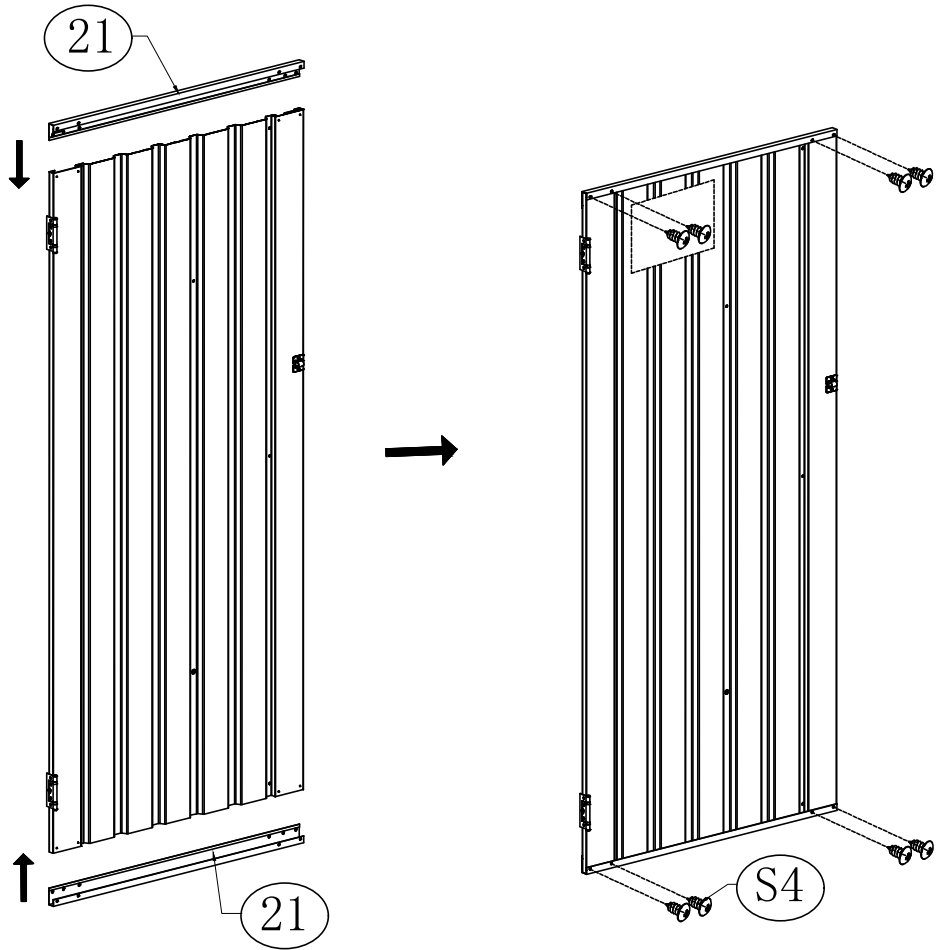








NO.	PART.	Qty.
15	 940.9mm	2
16	 1555mm	1
22	 1555mm	1
M1	 1553mm	1
S6		3
S6A		3
S7		6
S1		1

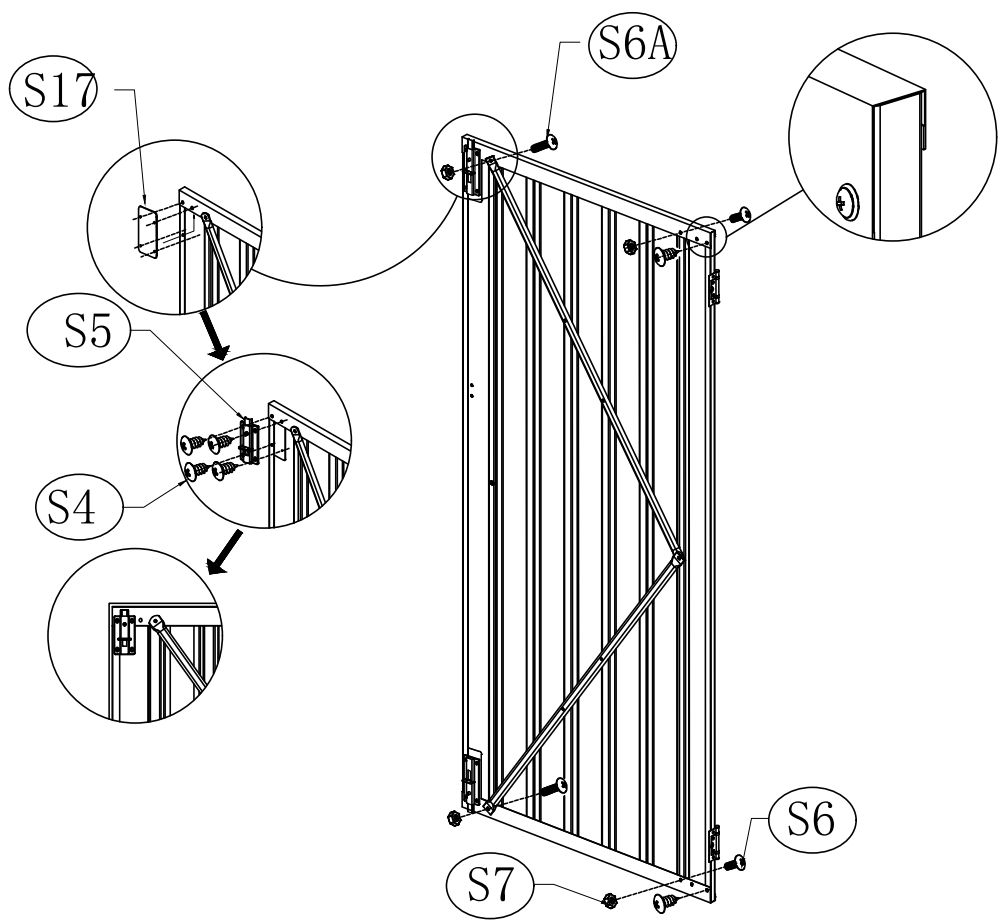






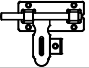




Put 16 on the side farther from the hole in the center of the tile and 22 on the side nearer.

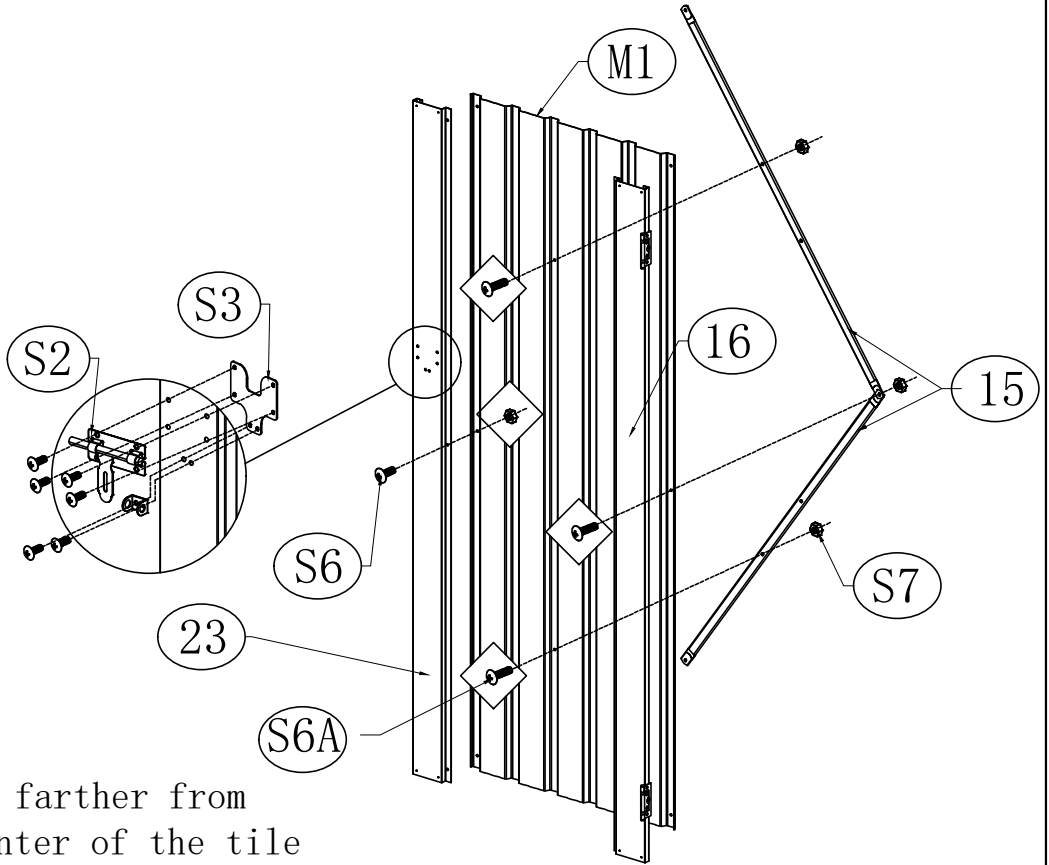
NO.	PART.	Qty.
21	 705mm	2
S4		8





NO.	PART.	Qty.
S4		10
S5		2
S6		2
S6A		2
S7		4
S17		2

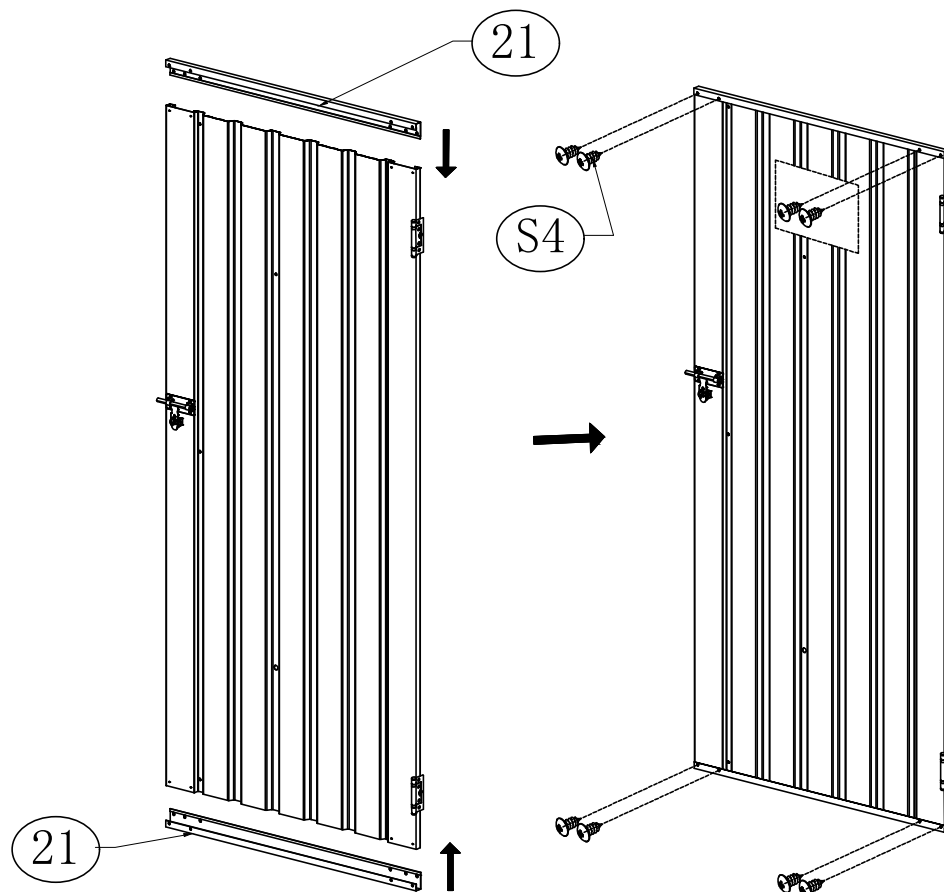






NO.	PART.	Qty.
15	 940.9mm	2
16	 1555mm	1
23	 1555mm	1
M1	 1553mm	1
S2		1
S3		1
S6		7
S6A		3
S7		4

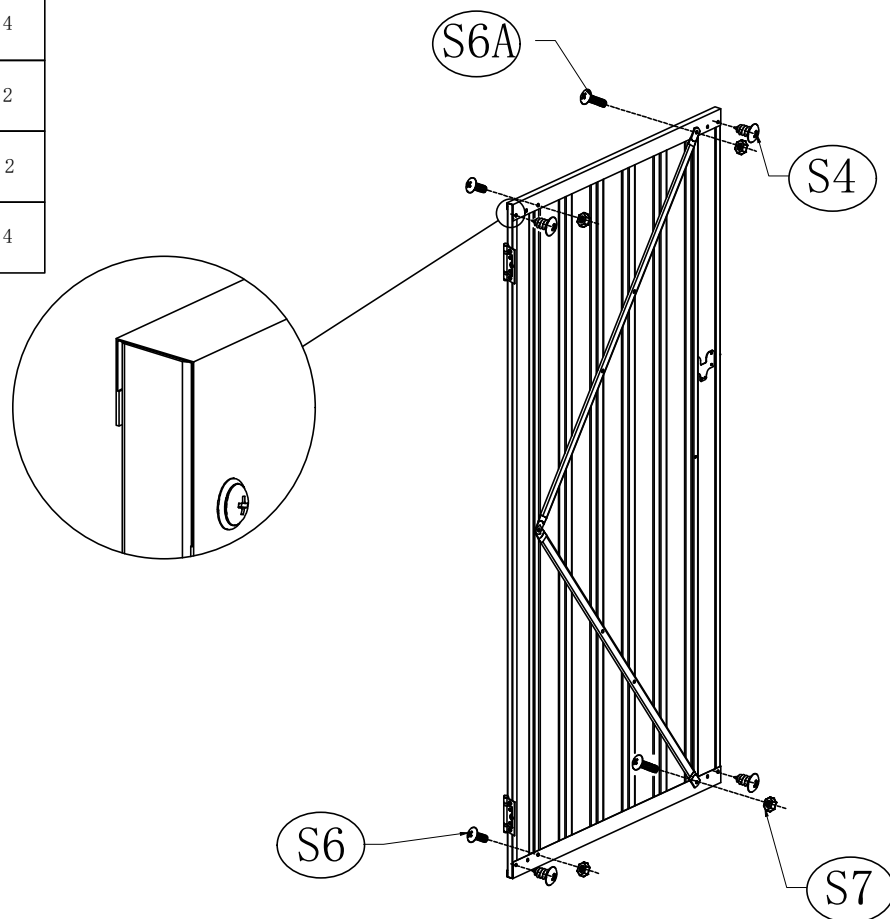




Put 16 on the side farther from the hole in the center of the tile and 23 on the side nearer.

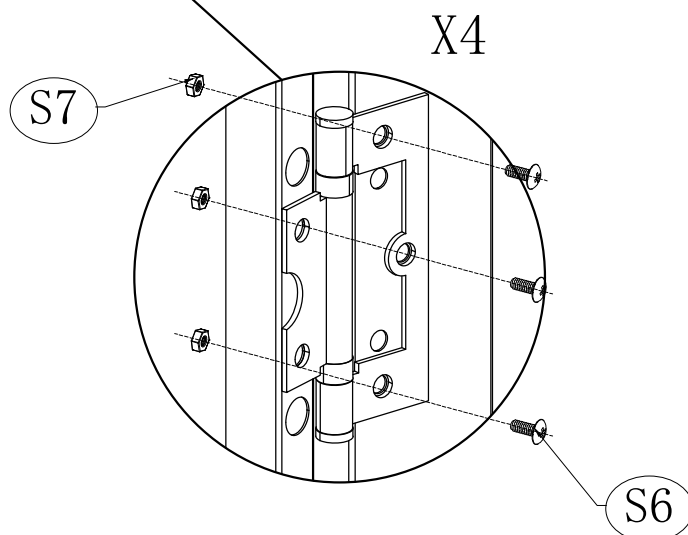
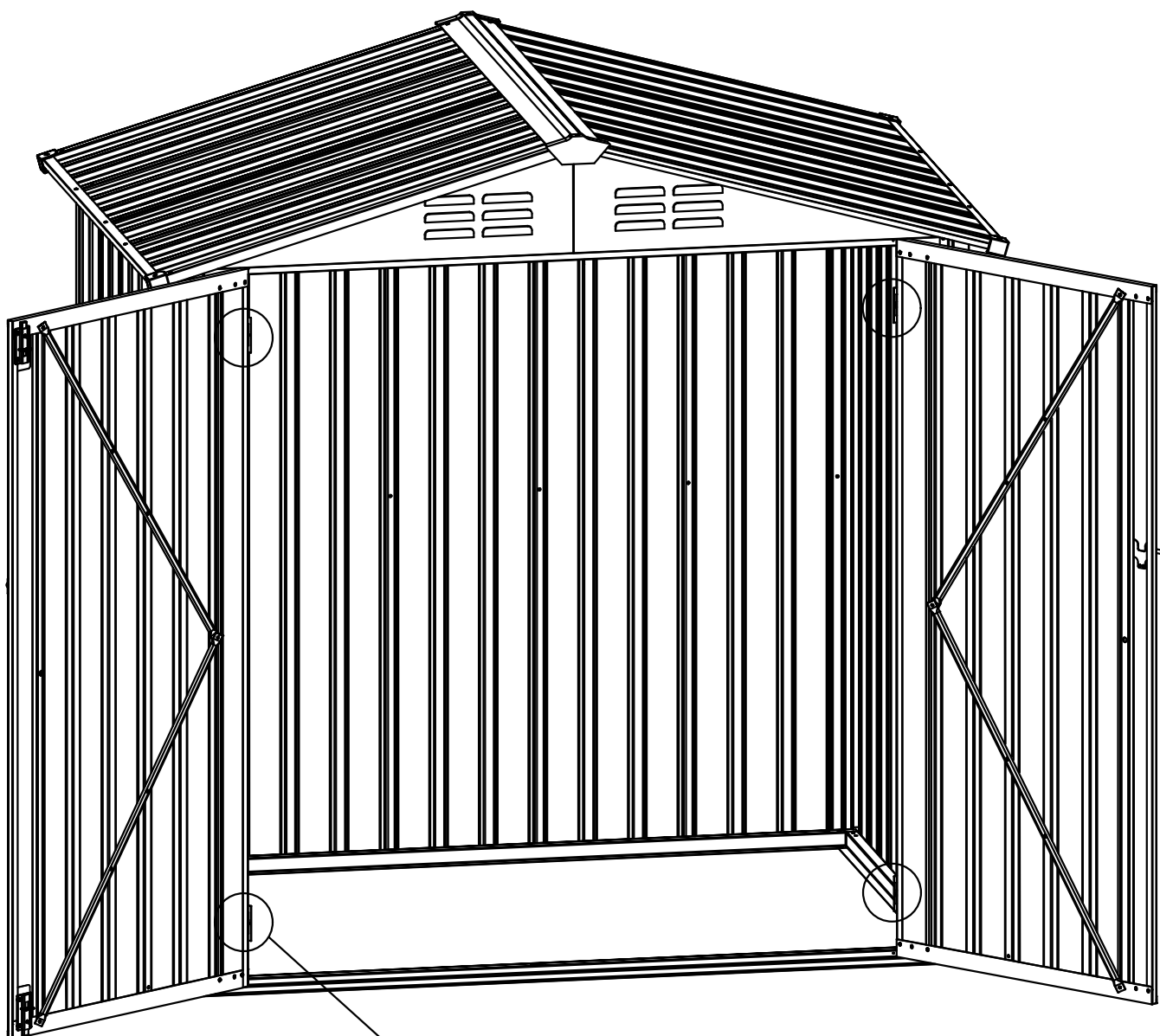
NO.	PART.	Qty.
21	 705mm 2	2
S4		8




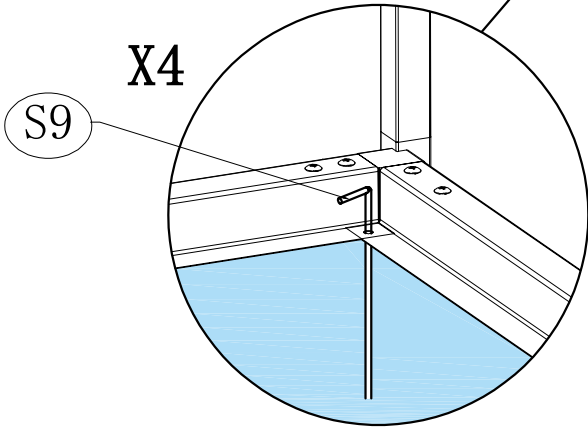
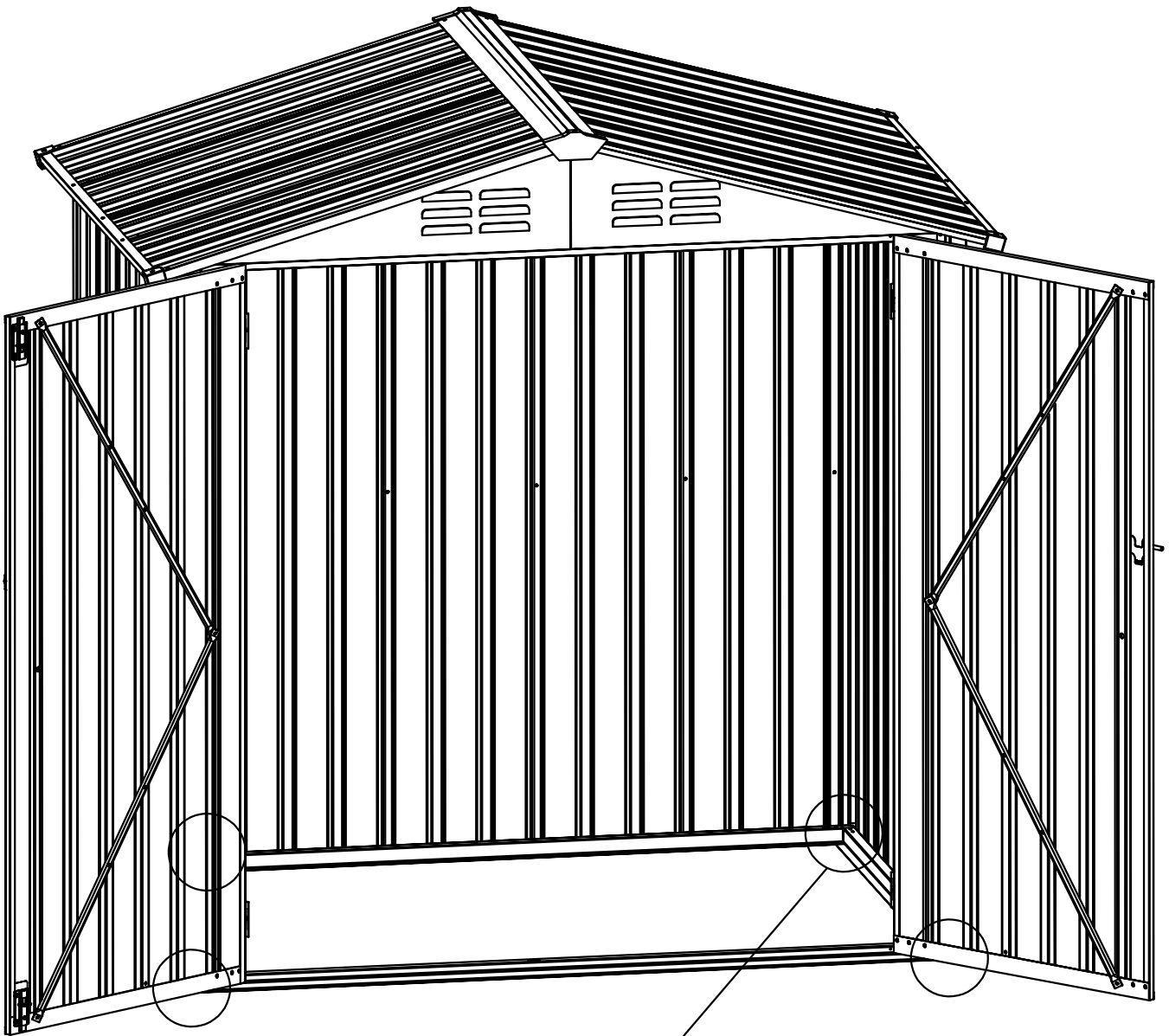
NO.	PART.	Qty.
S4		4
S6		2
S6A		2
S7		4

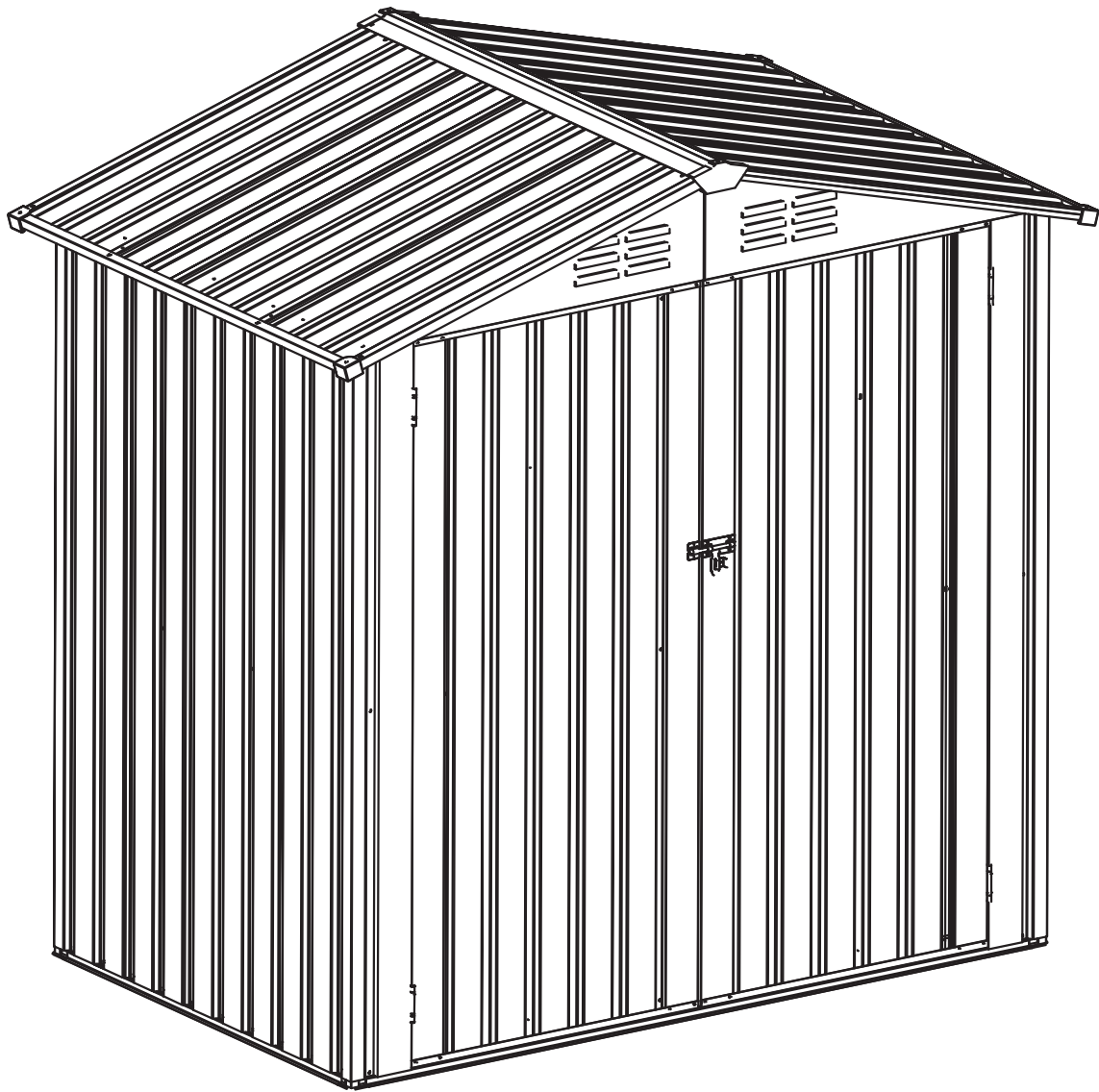


NO.	PART.	Qty.
S6		12
S7		12



NO.	PART.	Qty.
S9		4





Technical Support

(909)637-7665 | (909)637-7593

Other Info

HJ-Customer-Service@outlook.com

Thank you for choosing this product. We strive to provide you with the best quality products and service in the industry. Should you have any issues, please don't hesitate to contact us.