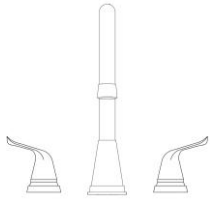


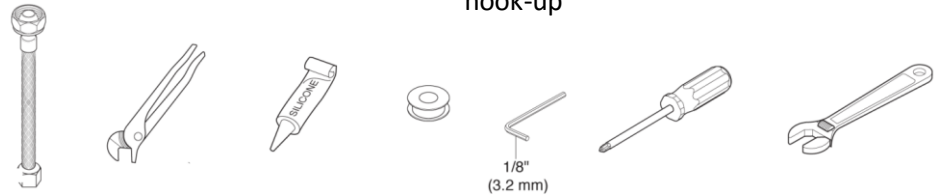
TWO HANDLE WIDESPREAD LAVATORY FAUCET

LAGUNA BRASS



- Model 2111
- 3 Hole Installation

You may need:



For easy installation of your faucet please:

- **READ ALL** the instructions, warnings, care and maintenance information before beginning
- Purchase the correct water supply hook-up

1. Before Proceeding

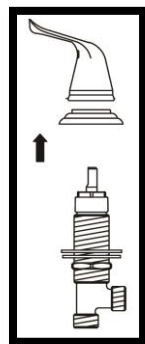
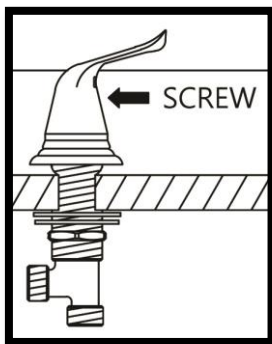
We recommend calling a professional if you are uncertain about installing this product! This product should be installed in accordance with all local and state plumbing and building code requirements.

2. Shut Off Water Supplies

Locate the water supply inlets and shut off both the hot and cold water supply valves. If you are replacing an existing faucet, remove the old faucet. Clean the sink surface thoroughly in preparation for the new faucet.

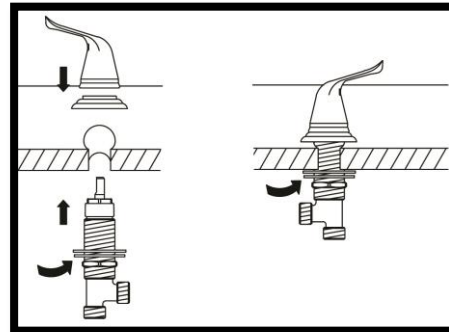
3. Prepare the Handle Assembly

Using the hex wrench provided in the box, loosen the set screw located on the side of the handle. Remove the handle and base ring from the cartridge stem as shown.



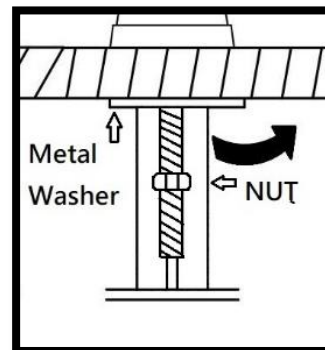
4. Secure the Handle Assembly

Insert the handle assembly from step #3 through the hole from underneath the sink. Re-attach the base ring and handle to the cartridge stem. Tighten the lock nut from underneath the sink to secure the handle assembly. Apply the same step to the other handle assembly. Note hot water handle assembly is marked "H" on the tailpiece, and cold water is marked "C".



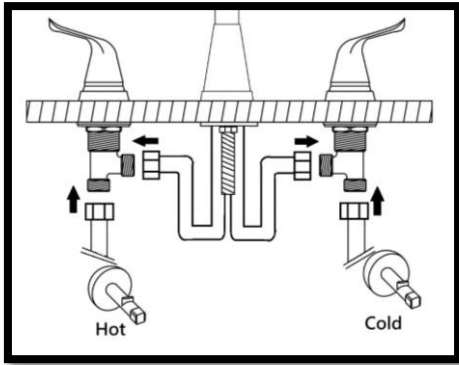
5. Secure the Spout Assembly

Insert the shank through the sink hole. From underneath the sink, attach the half-moon shape metal washer through the shank and tighten the locknut until the spout is securely in place.



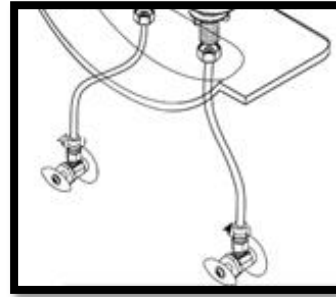
6. Connect the Hoses

Connect handle assemblies to the spout assembly as shown.



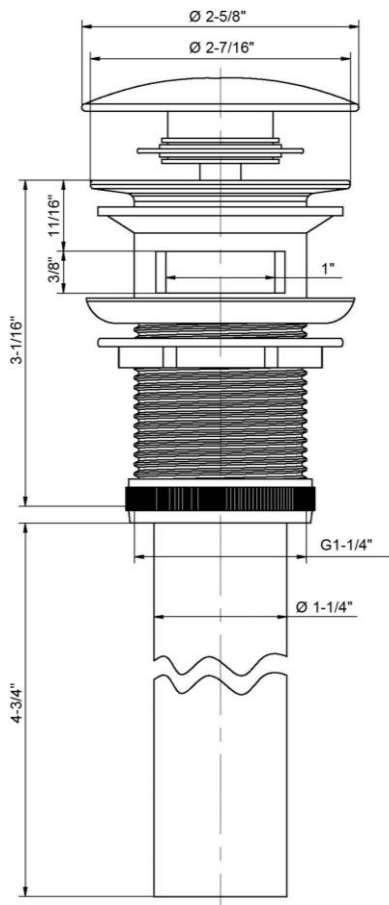
7. Connect to Water Supplies (Hook-Ups Not Provided). Flush System/Check for Leaks

Connect the hot and cold water supplies to the shanks as shown. Remove the aerator. Turn the handle all the way on. Turn on hot and cold water supplies and flush water lines for one minute. This flushes away any debris that could cause damage to internal parts. Check all connections for leaks. Replace aerator. Re-tighten if necessary, but do not over tighten.



Pop-Up Drain Installation

1. Unscrew the tailpiece off the drain body. Remove the brass lock nut, plastic spacer, and the bottom rubber washer from the thread. Save these components.
2. Insert the drain body into the sink. Make sure the top rubber washer is pushed all the way up and sits right underneath the flange. Re-attach the bottom rubber washer, plastic spacer, and brass lock nut to the thread and hand tighten.
3. Re-attach the tailpiece to the drain body and hand tighten.
4. Connect the tailpiece to the pipe (not included).



CLEANING AND CARE

Care should be given to the cleaning of this product. Although the finish is extremely durable, it can be damaged by harsh abrasives or polish. To clean, simply wipe gently with a damp cloth and blot dry with a soft towel.

WARNING: SCRUBBING BUBBLES® BATHROOM CLEANER, LYSOL® BASIN TUB AND TILE CLEANER, and all other chemical cleaners must not be used on the faucet body and handle. Use of these cleaners can crack and/or severely damage the faucet. If overspray of these cleaners gets onto the faucet, immediately dry with a soft cotton cloth.

MAINTENANCE

If faucet exhibits very low flow

- Remove and clean aerator

If faucet leaks under the sink

- Inspect all supply line connections, tighten where necessary

If faucet leaks from under handle

- Remove handle. Ensure bonnet nut is tight. Clean or replace the o-ring

- **WARNING: Failure to securely tighten bonnet nut could result in water damage**

LIMITED LIFETIME WARRANTY

Laguna Brass warrants to the original purchaser that its products will be free from defects in workmanship and materials. We recommend using a professional plumber for all installation and repairs. This warranty DOES NOT COVER LABOR CHARGES AND/OR DAMAGE INCURRED IN INSTALLATION, REPAIR, OR REPLACEMENT AS WELL AS ANY OTHER KIND OF LOSS OR DAMAGES. Any damage to this faucet as a result of misuse, abuse, or neglect, WILL VOID THE WARRANTY. This warranty applies only for faucets installed in the United States of America.

Replacement parts may be obtained by writing to customerservice@lagunabrass.com

Proof of purchase from the original purchaser must be made available for all warranty claims. This exclusive written warranty is not transferable.