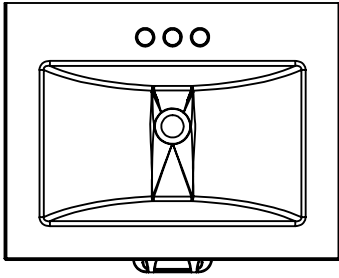
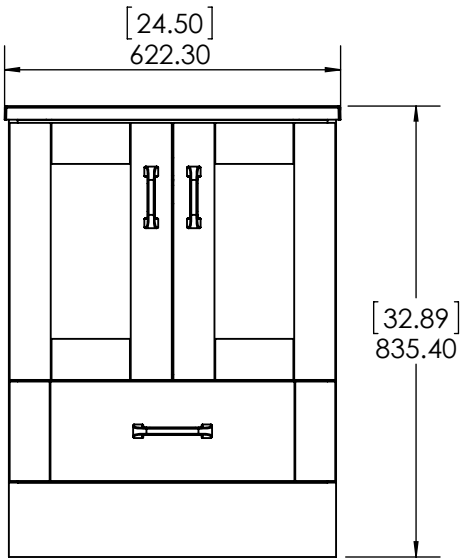


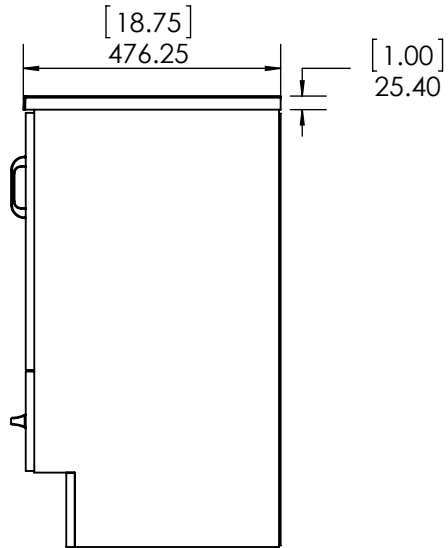
ONLY FOR REFERENCE



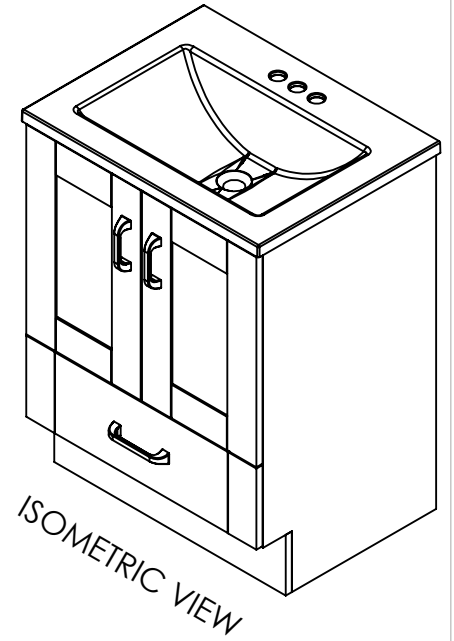
TOP VIEW



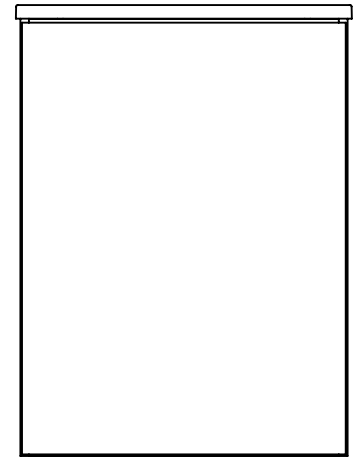
FRONT VIEW



SIDE VIEW



ISOMETRIC VIEW

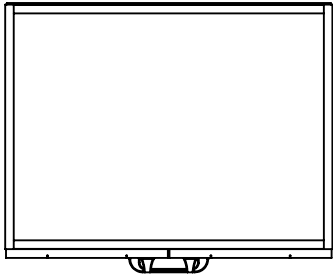


BACK VIEW

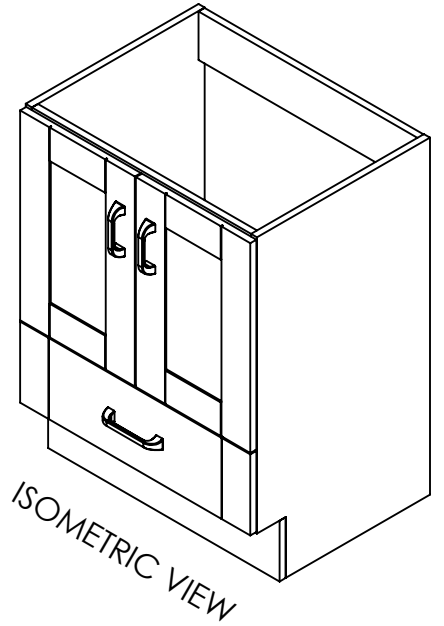
DWR	AG	04/10/24
REV	ING	
APR	R&D	

	REV A
NAME:	24in W0194 2Pc
MATERIAL:	----

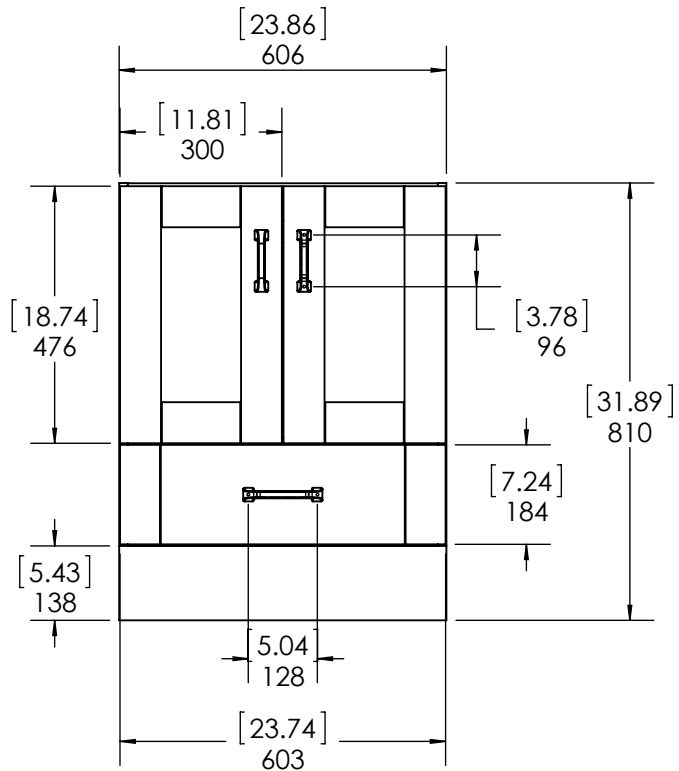
ONLY FOR REFERENCE



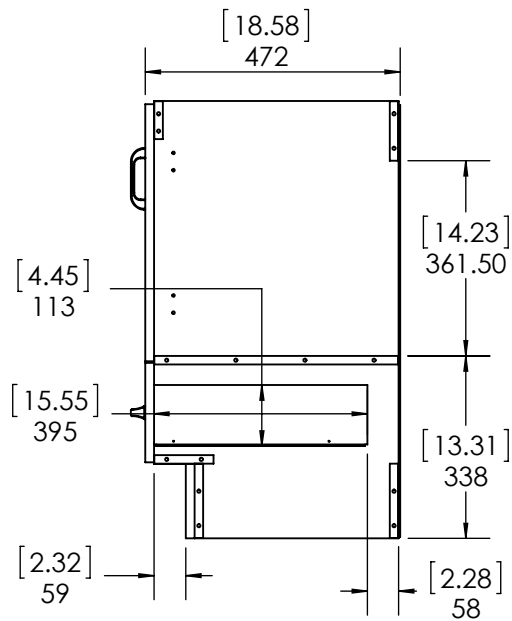
TOP VIEW



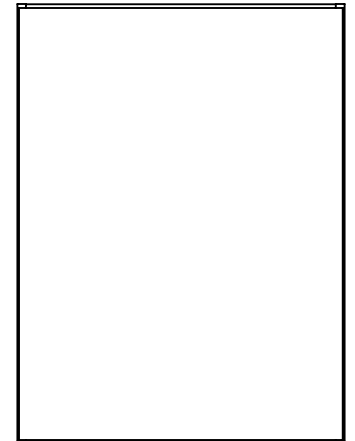
ISOMETRIC VIEW



FRONT VIEW



SIDE VIEW



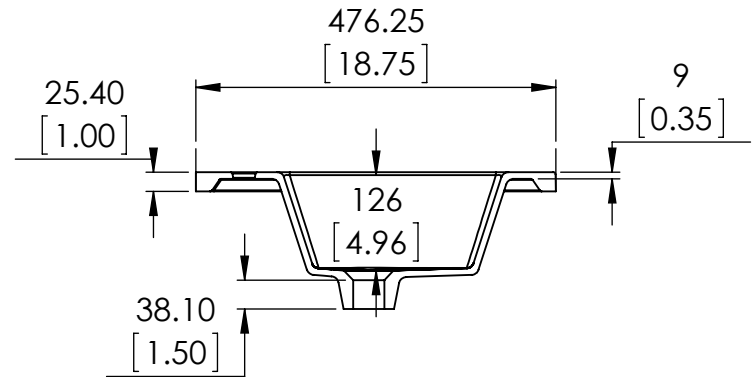
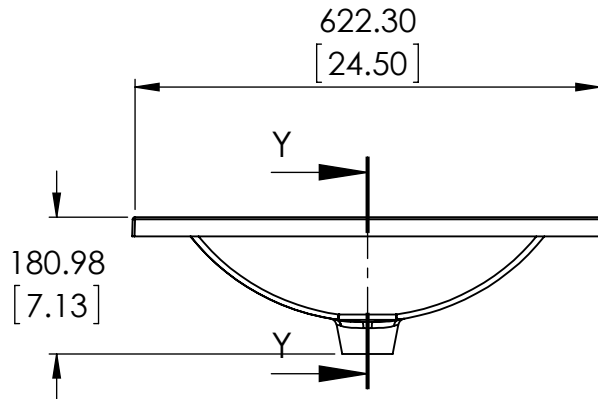
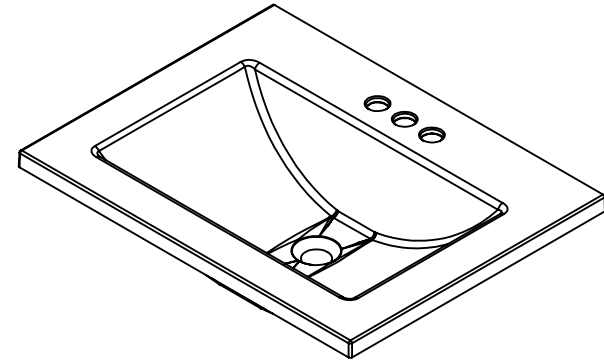
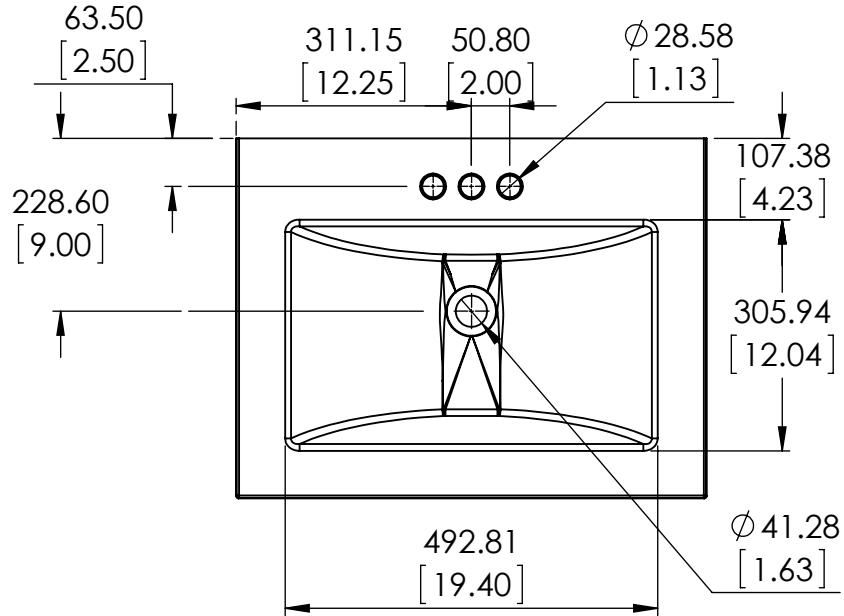
BACK VIEW

DWR	AG	04/10/24
REV	ING	
APR	R&D	

	REV	A
NAME:	24in W0194 2Pc	
MATERIAL:	----	

ITEM TYPE	ITEM ID	ITEM DESCRIPTION	DRAWING STATUS
FG	595778	Top, Alpine 24.50x18.75 4in	R&D

REV	DESCRIPTION	DATE	APPROVAL
0	RELEASED	05/09/23	E. SANDOVAL



PROPRIETARY AND CONFIDENTIAL
 THE INFORMATION CONTAINED IN THIS DRAWING IS THE SOLE PROPERTY OF WOODCRAFTERS. ANY REPRODUCTION IN PART OR AS A WHOLE WITHOUT THE WRITTEN PERMISSION OF WOODCRAFTERS IS PROHIBITED.

	NAME	DATE
DRAWN	G. REYES	4/11/23
CHECKED	O. RAZO	4/11/23
ENG APPR.	J. GUZMAN	4/11/23
MFG APPR.	V. SANCHEZ	4/11/23

SIZE	DWG. NO.	SHEET 1 OF 1
A		FG