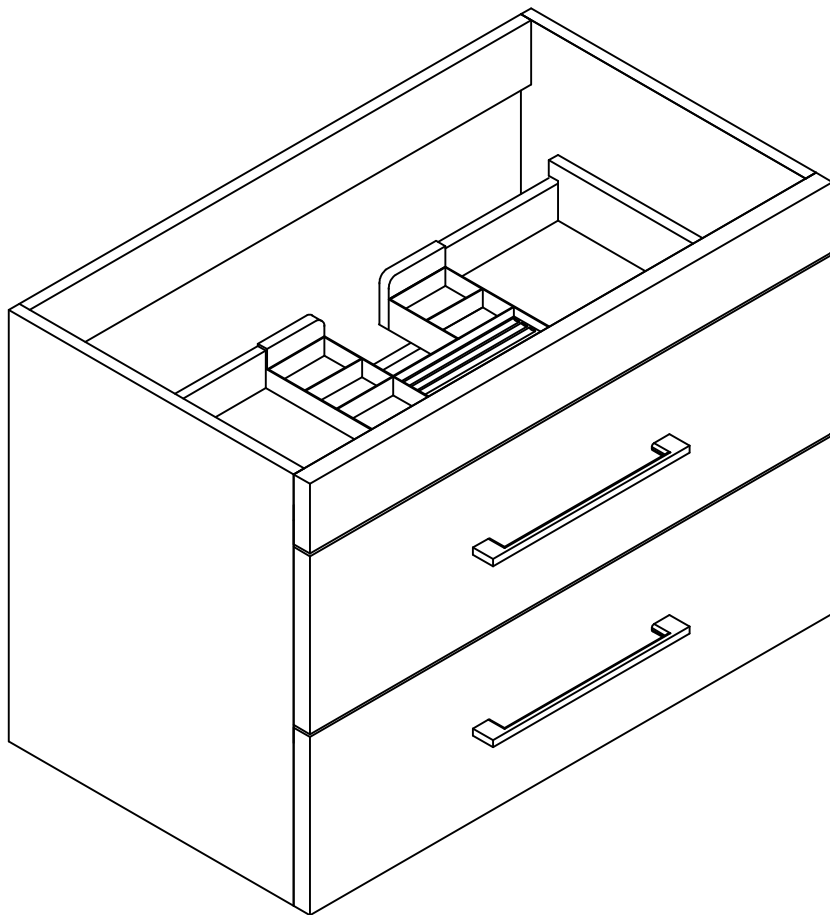


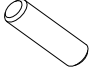
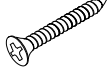

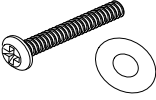
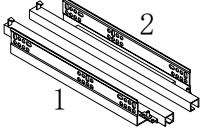
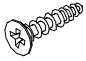
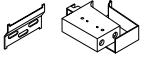
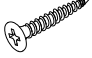



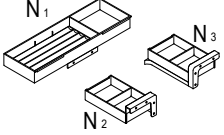
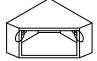
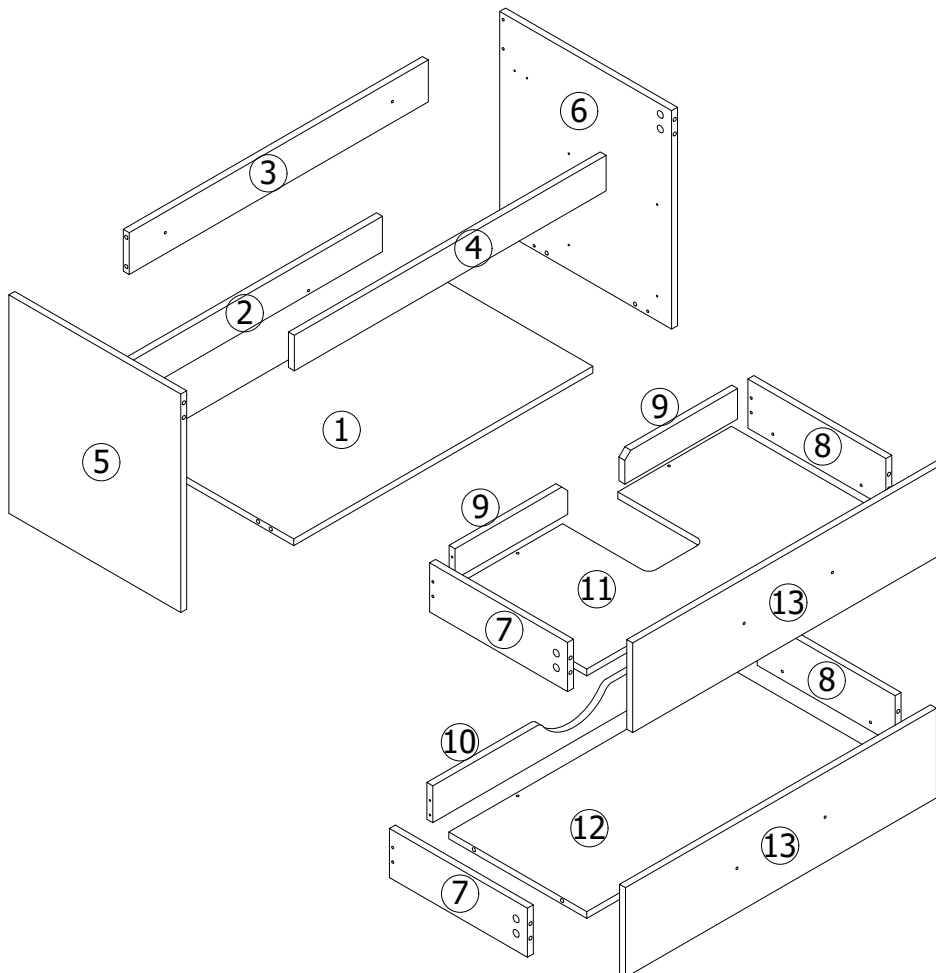


Assembly Instructions



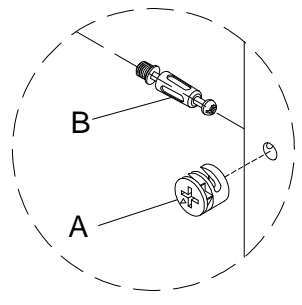
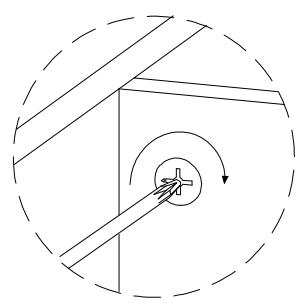
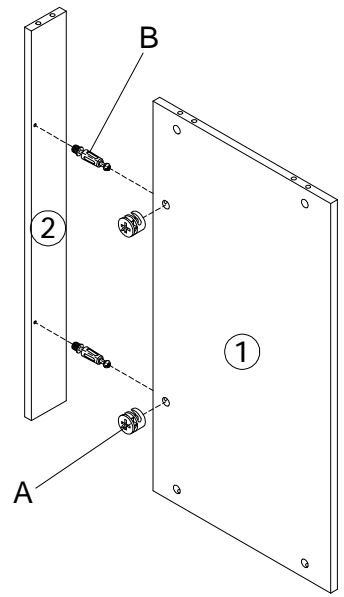
Assembly Instructions

<p>Ø15x12</p>  <p>A x 38</p>	<p>Ø7x35</p>  <p>B x 38</p>	<p>Ø8x30</p>  <p>C x 4</p>	<p>Ø4x40</p>  <p>D x 12</p>
 <p>E x 2</p>	<p>M4x20</p>  <p>F x 4</p>	<p>14"</p>  <p>G x 2</p>	<p>Ø3.5x14</p>  <p>H x 34</p>
 <p>I x 2</p>	<p>Ø3.5x30</p>  <p>J x 4</p>	<p>Ø7.8x38</p>  <p>K x 8</p>	<p>Ø5x50</p>  <p>L x 6</p>
<p>Ø5x70</p>  <p>M x 2</p>	 <p>N x 1</p>	 <p>O x 2</p>	



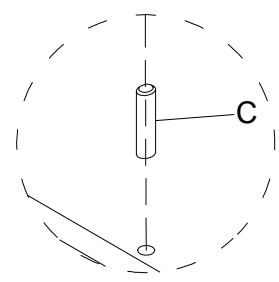
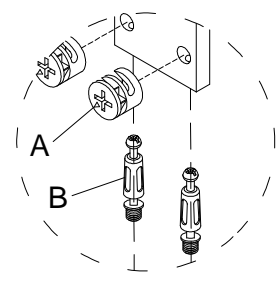
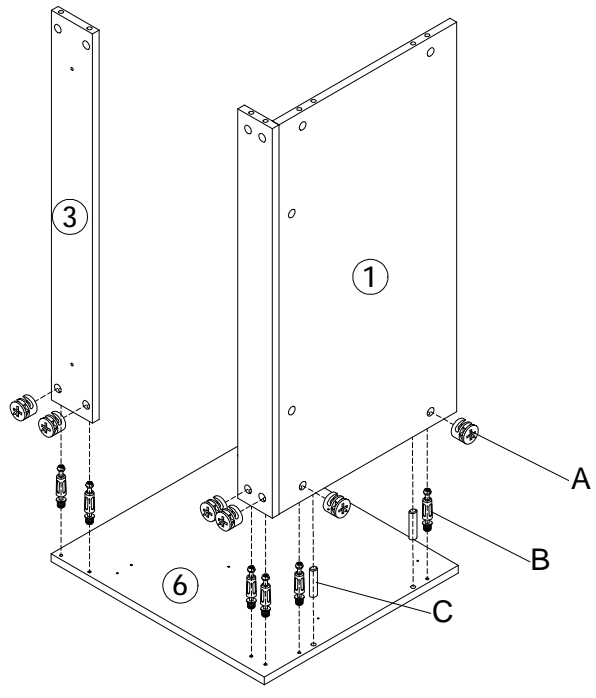
STEP 1

Ax2
Bx2



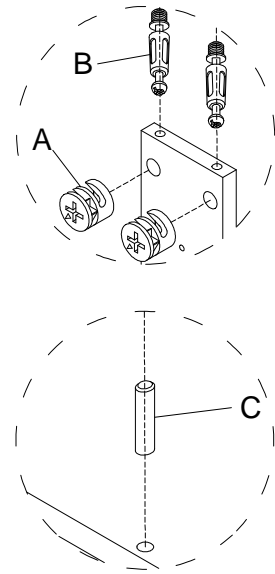
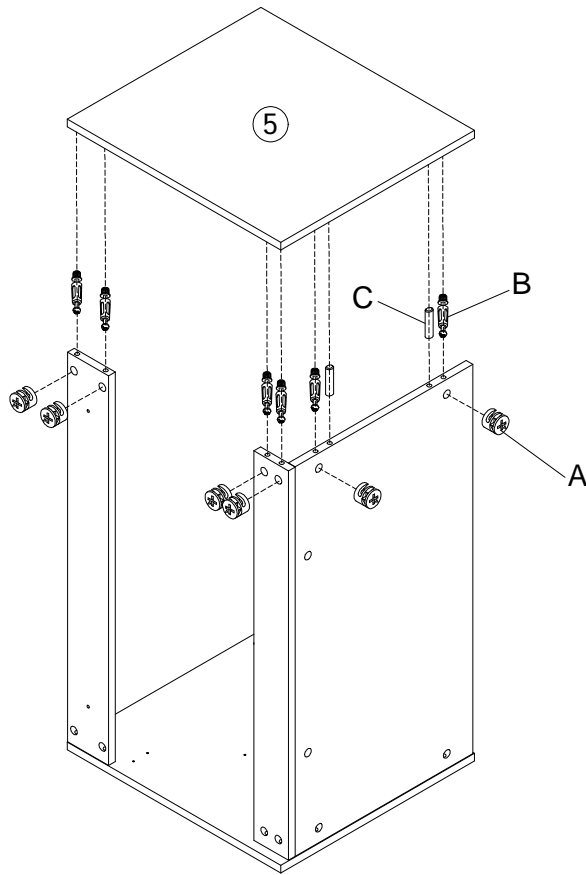
STEP 2

Ax6
Bx6
Cx2



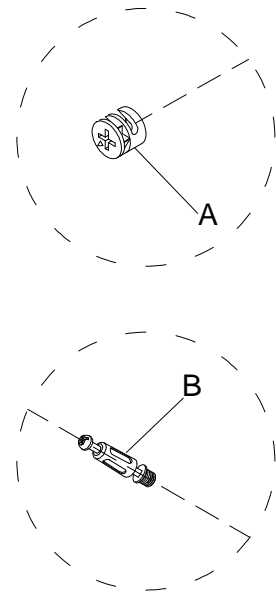
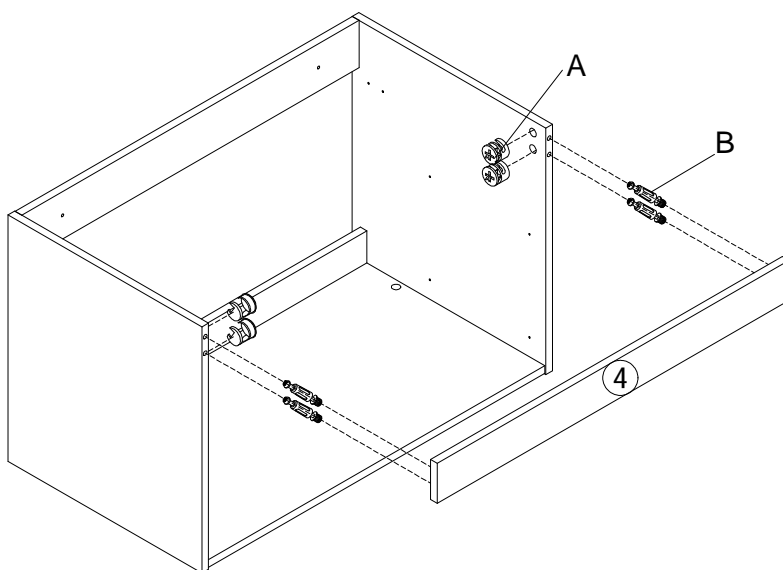
STEP 3

Ax6
Bx6
Cx2

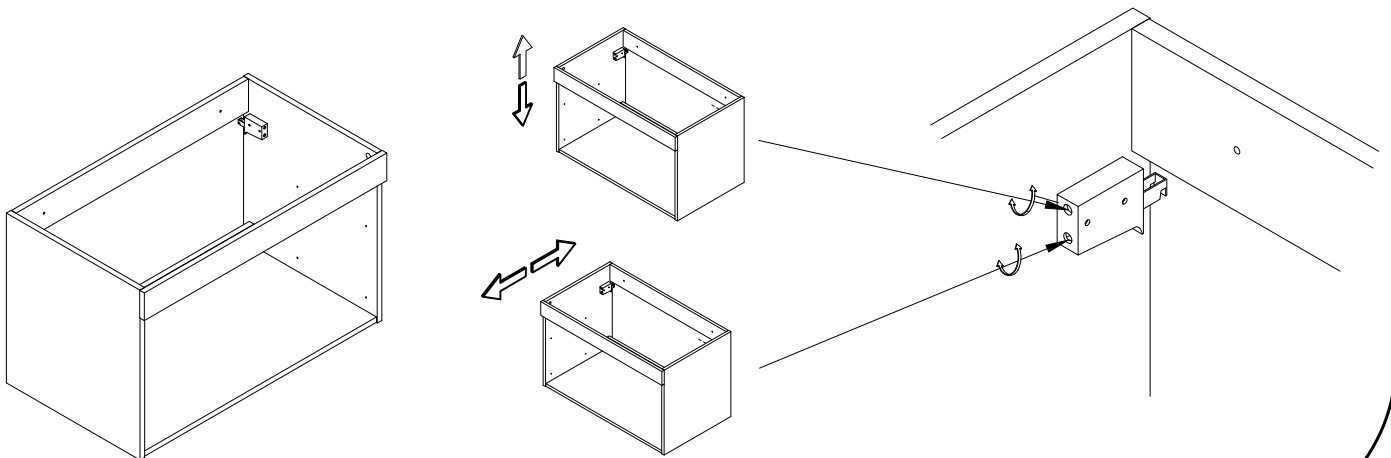
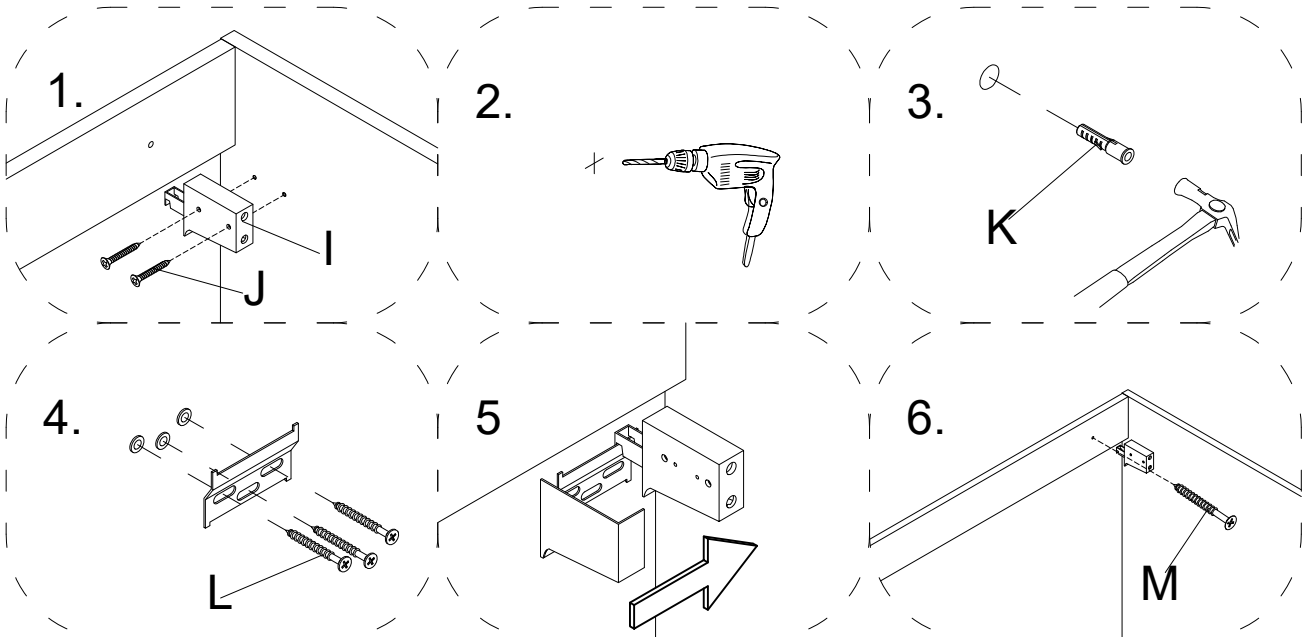
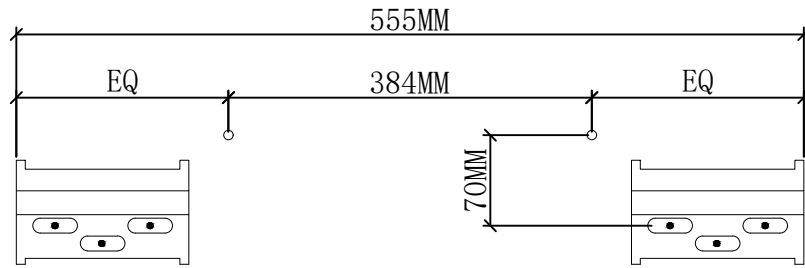


STEP 4

Ax4
Bx4

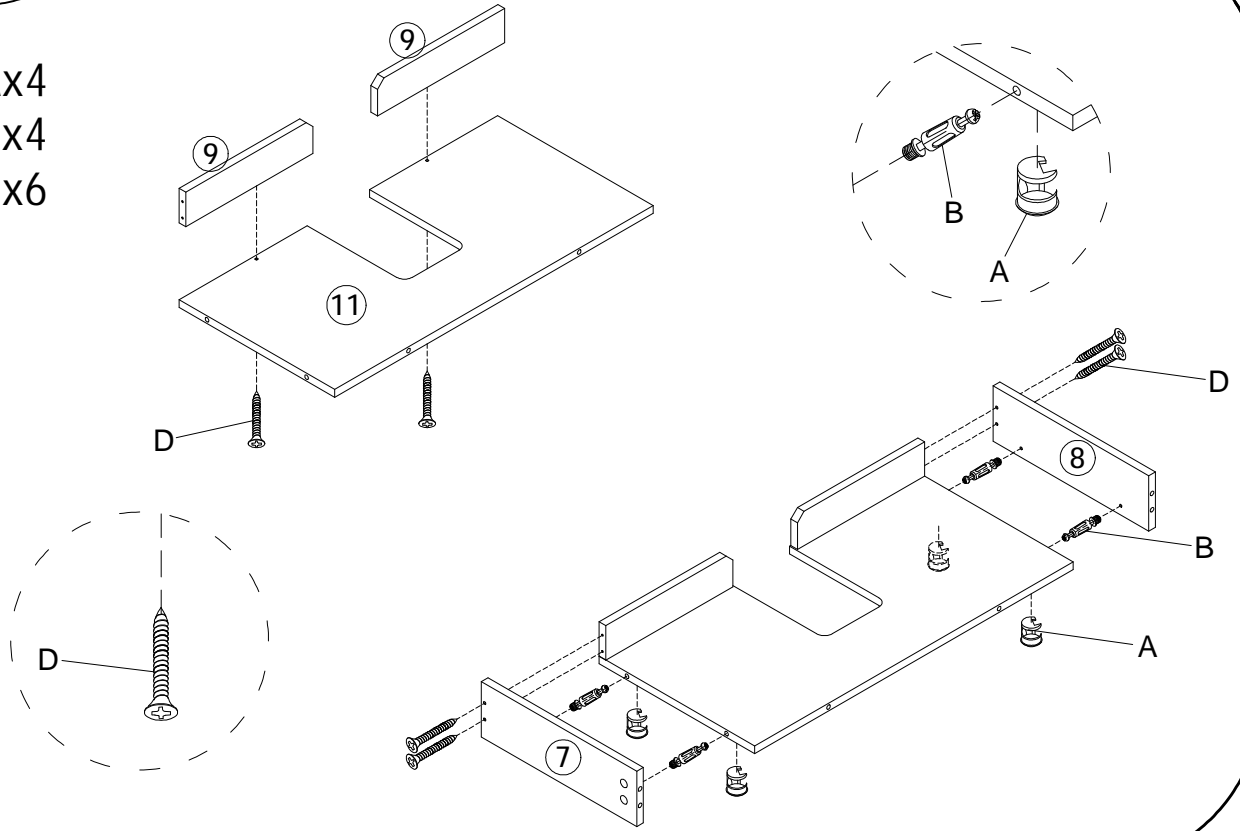


- Ix2
- Jx4
- Kx8
- Lx6
- Mx2



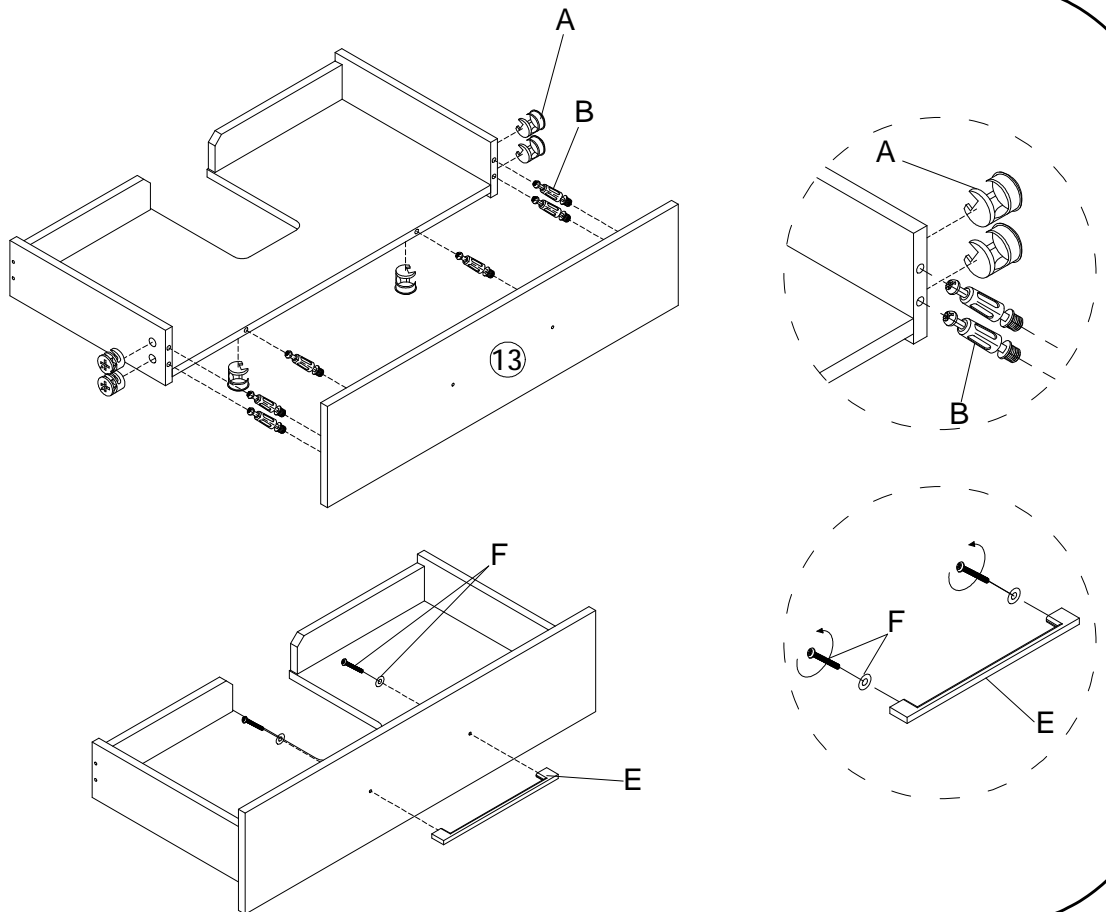
STEP 6

Ax4
Bx4
Dx6

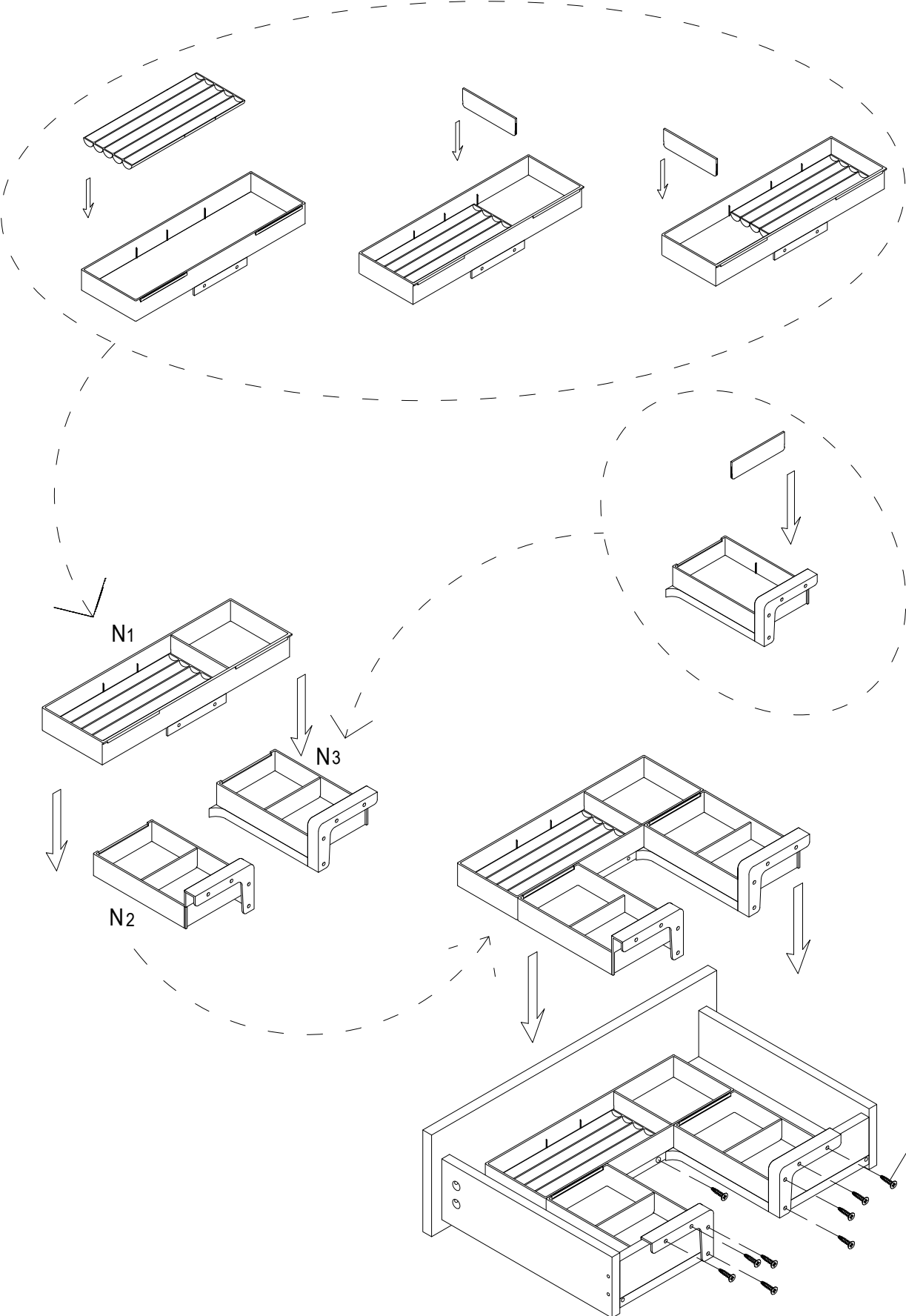


STEP 7

Ax6
Bx6
Ex1
Fx2

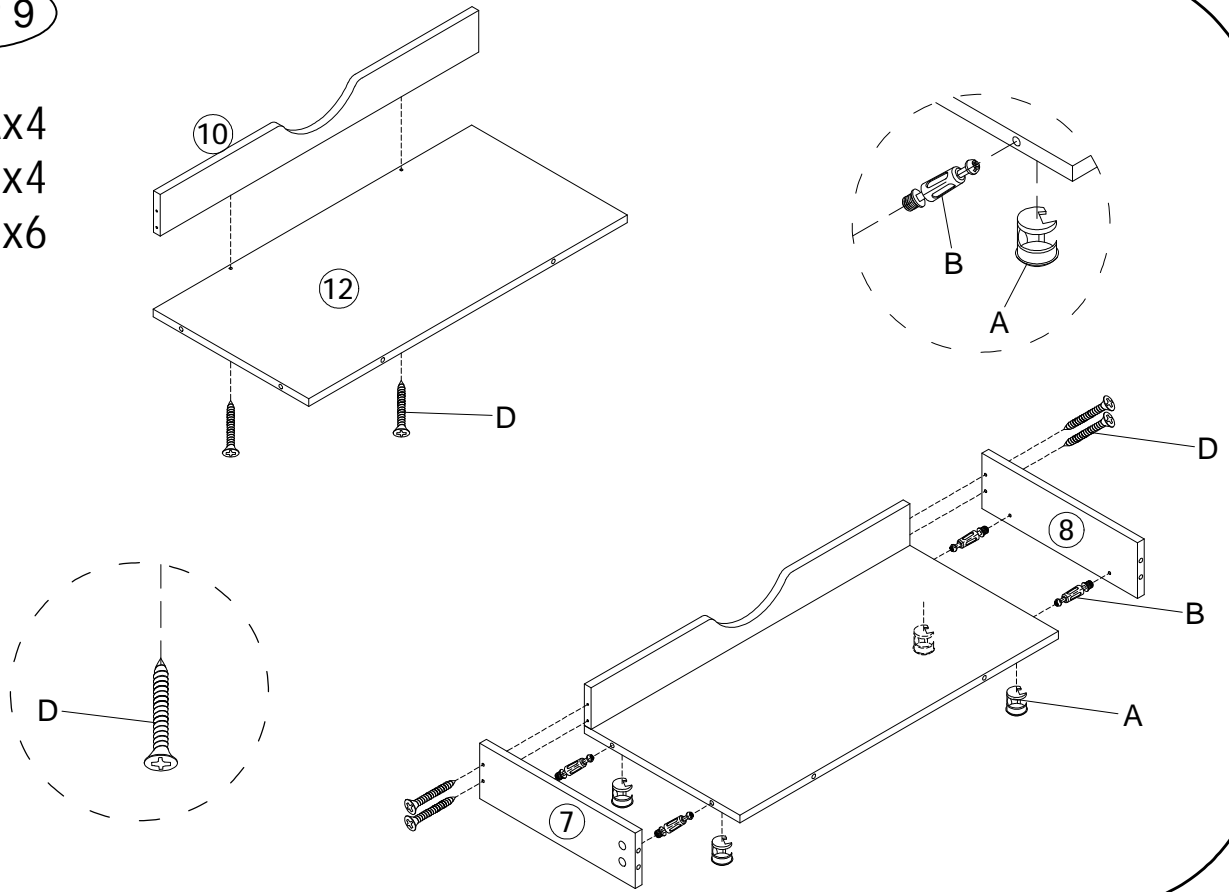


Hx10
Nx1



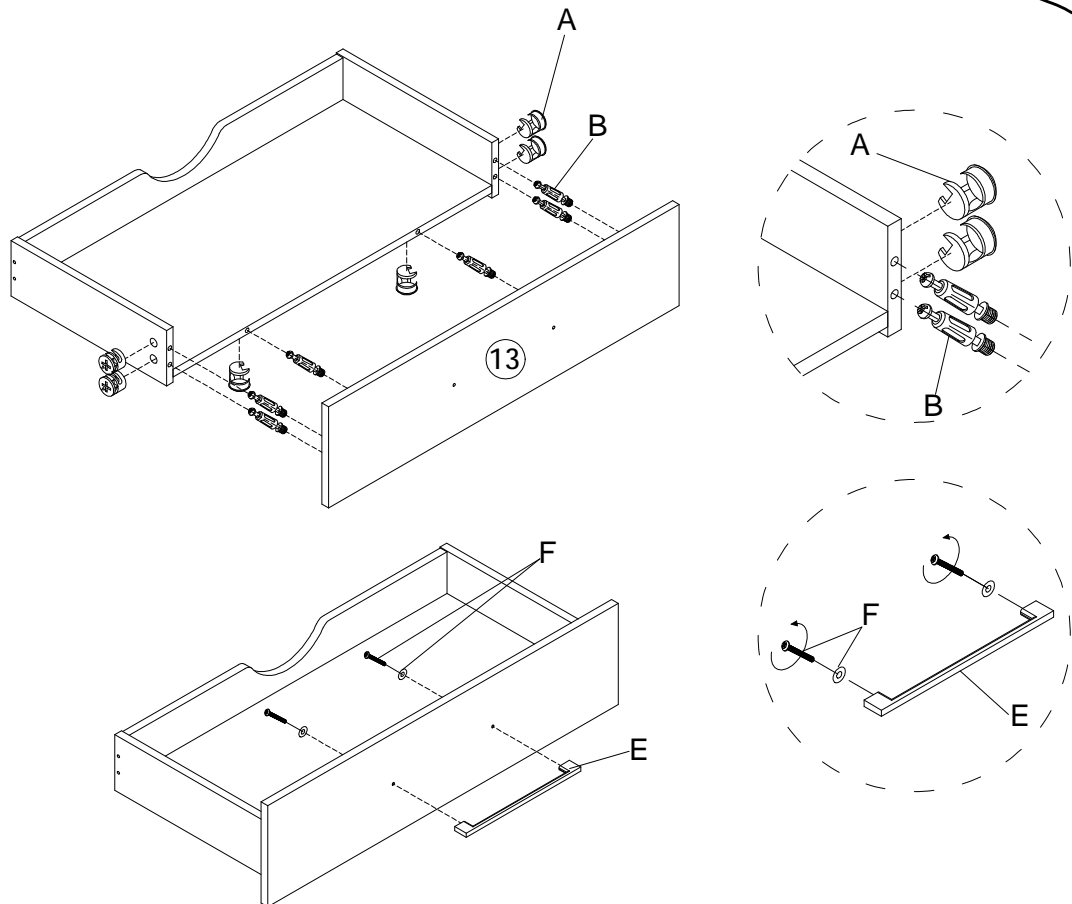
STEP 9

Ax4
Bx4
Dx6



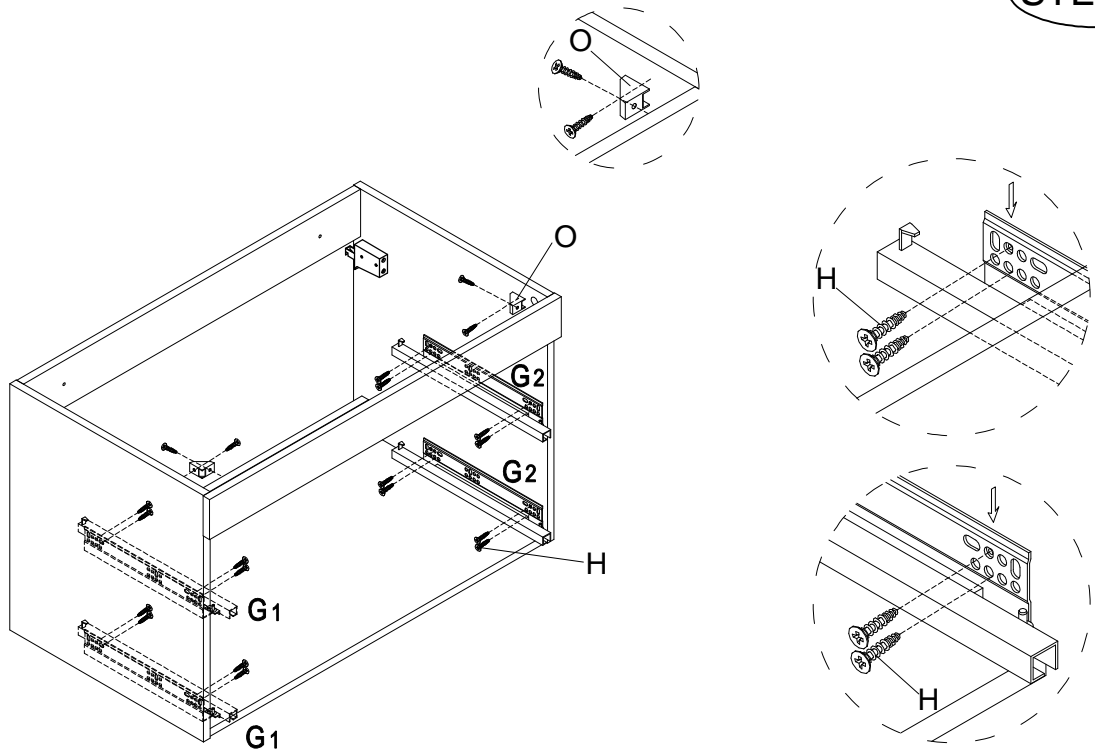
STEP 10

Ax6
Bx6
Ex1
Fx2

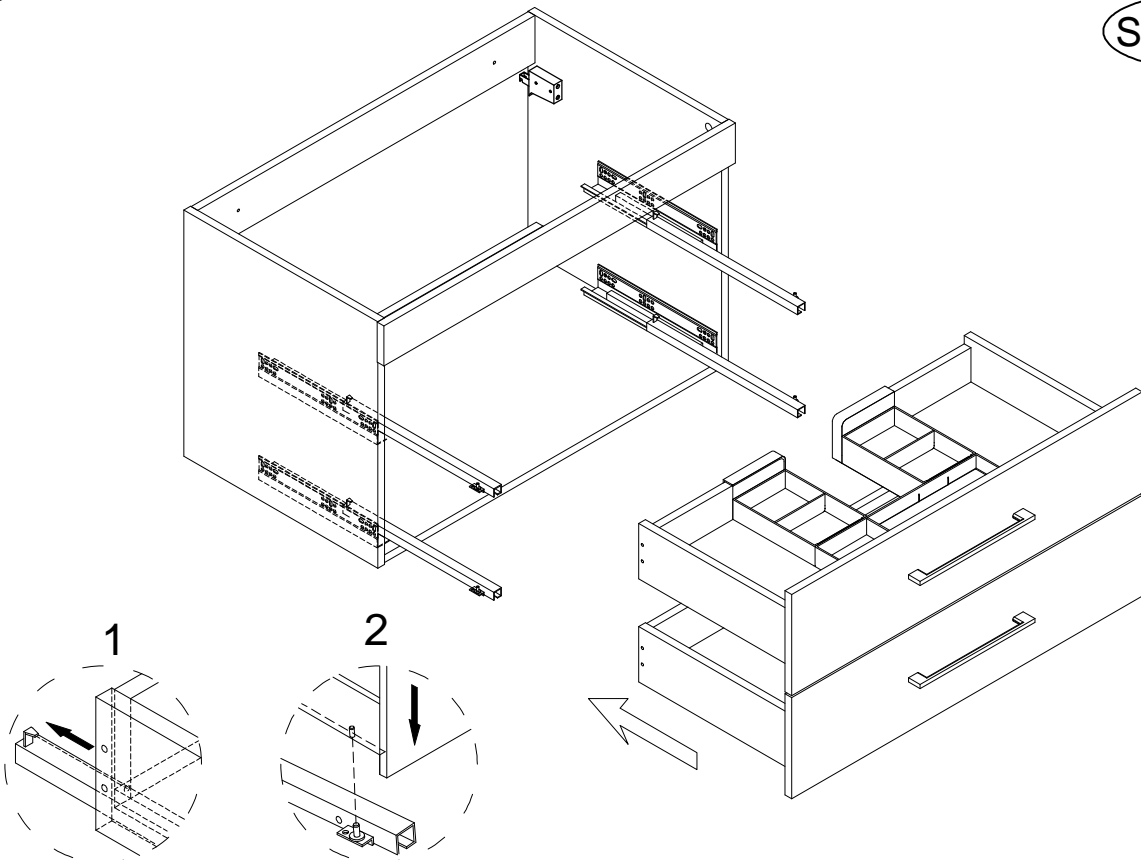


STEP 11

Gx2
Hx20
Ox2

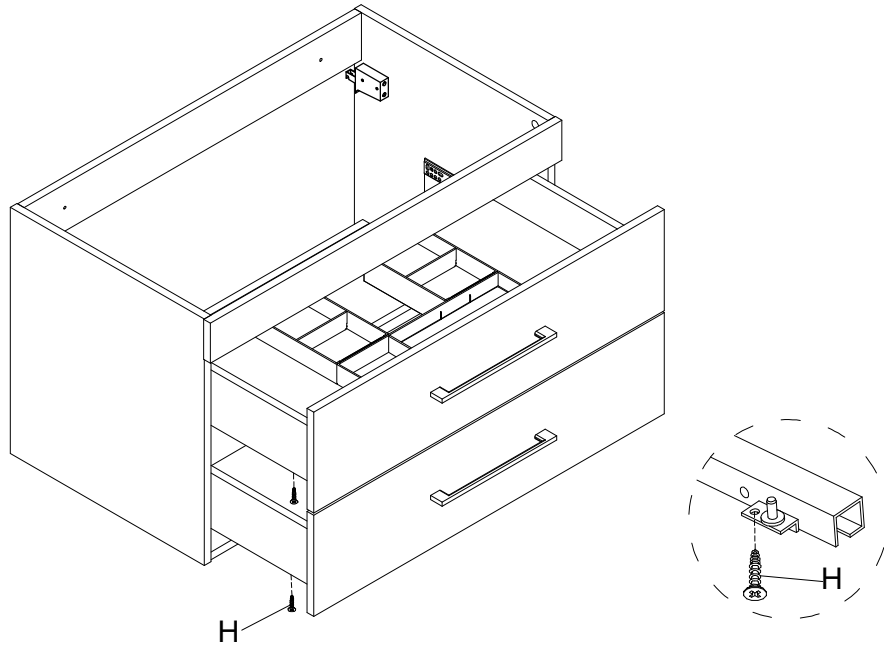


STEP 12

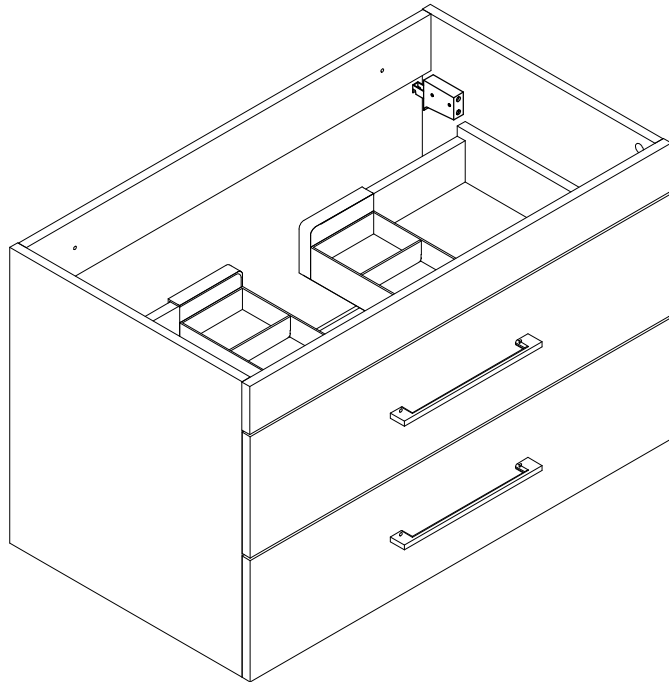


STEP 13

Hx4



STEP 14



FINISH