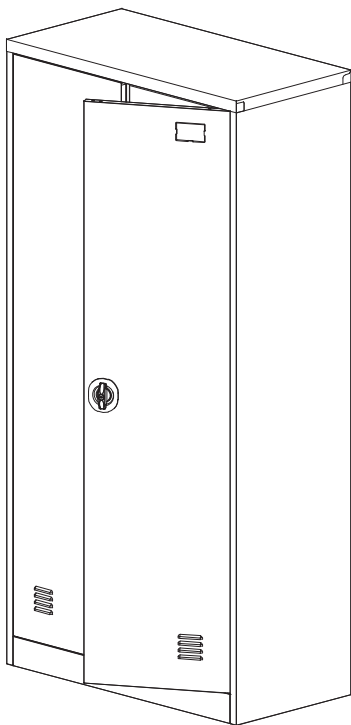


# METAL STORAGE CABINET



If there are defective parts after unpackage, please contact us immediately

## Important:

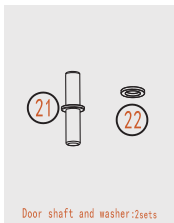
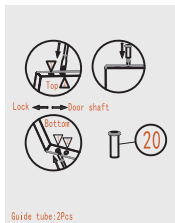
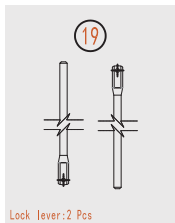
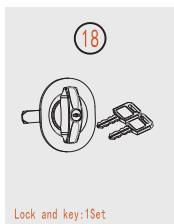
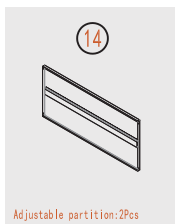
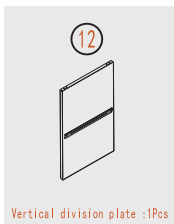
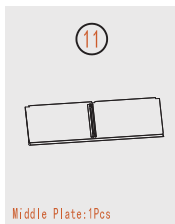
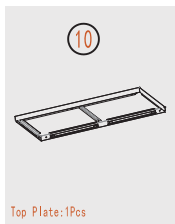
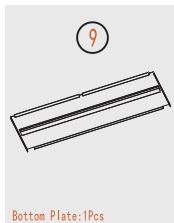
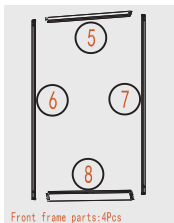
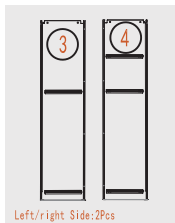
1. One person can easily install the item. Of course, two-person installation can be easier and faster.
2. The metal frames have certain degrees of elasticity. Please **DO NOT** over tighten the screws during assembly. An over tightened screw will cause bented metal frame.
3. For a smooth assembly process, we suggest you keep alite tightness for all the screws during assembly. After the whole item is aseembled, firmly tightening all the screws.

## Thank you for choosing our product.

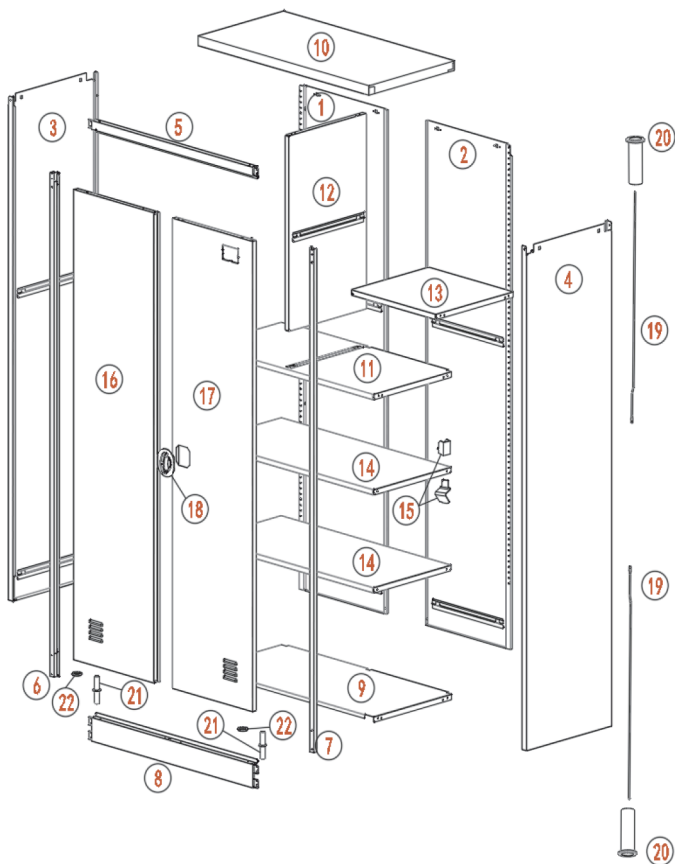
Please kindly share your shopping experience if you are satisfied with it. If you have any problem regarding assembling or product itself, please just contact us at **service@sundaleoutdoor.com**.

**We will do everything we can do to solve all the problem for you. (Note: Two people are recommended to install, which will greatly improve your installation efficiency.)**

## Parts :



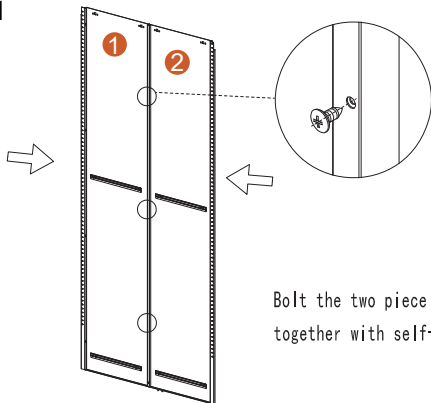
## Parts :



Attention : Do not tighten the screws until you complete setup assembly.

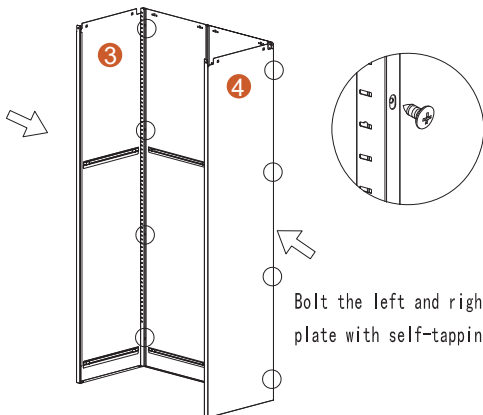
## Assembly Instruction :

### Step 1



Bolt the two piece of back plates together with self-tapping screws (5x12).

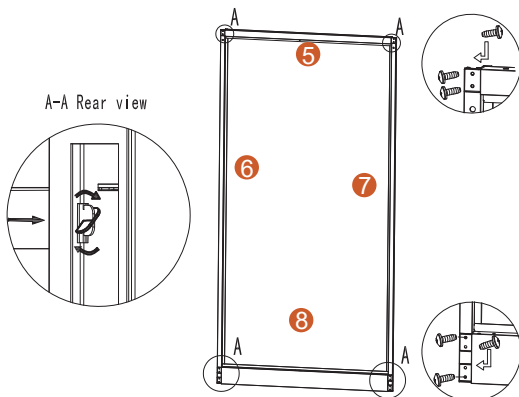
### Step 2



Bolt the left and right plate to back plate with self-tapping screws (5x12).

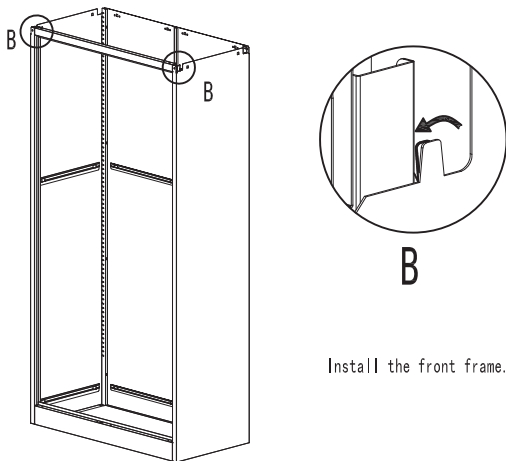
## Assembly Instruction :

### Step 3



Bolt the front frame together (screw 4x10).

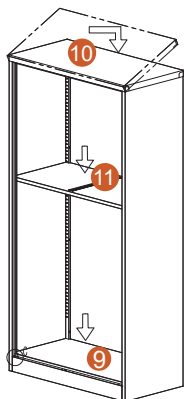
### Step 4



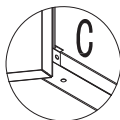
Install the front frame.

## Assembly Instruction :

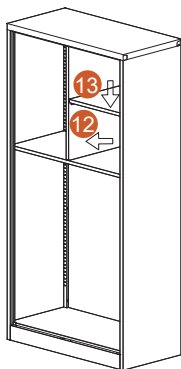
### Step 5



Install the top, bottom and middle plate.



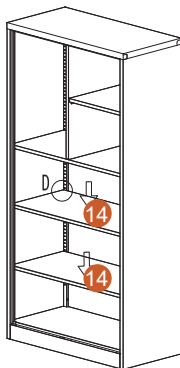
### Step 6



Install the vertical division plate and small shelf.

## Assembly Instruction :

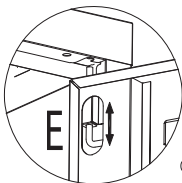
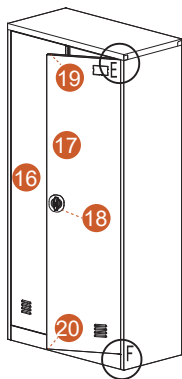
### Step 7



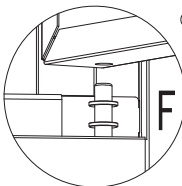
Install the adjustable partitions.



### Step 8

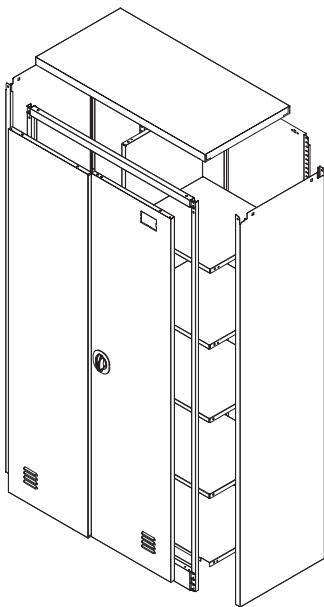


- ① Install the lock to the right door as Demo on the back of the paper.
- ② Install the door panel.



**Assembly Instruction :**

**Step 9**



Adjust each parts till fit well after installation.

## GENERAL GUIDELIES :

Please read the following instructions carefully and use the product accordingly.

Please keep this instruction and hand it over when you transfer the product.

This summary may not include every detail of all variations and considered steps.

Please contact us when further information and help are needed.

## NOTES :

The product is intended for normal use only. The seller does not assume any responsibility or liability with respect to any damage caused by incorrect assembly or improper use.

Keep away from exposure and heat sources. Place it in a dry area to avoid peeling or fading.

Please check if there is any welding spatter or debris when you receive the product.

If there are defective or missing parts after unpacking, please contact us immediately.

Use soft cloth and neutral detergent to wipe it clean, then wipe dry. Do not use an abrasive agent to wipe the product.

## WARNINGS :

During assembly, keep small parts out of the reach of children. It may be fatal if swallowed or inhaled.

To avoid potential danger of suffocation, keep all parts and packaging (films, plastic bags and foam, etc.) away from babies and children.

Keep away from sharp or corrosive items to avoid potential product damage or bodily injury.