

ASSEMBLY INSTRUCTIONS

HARDWARE

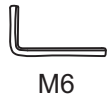
Ax4



Bx4

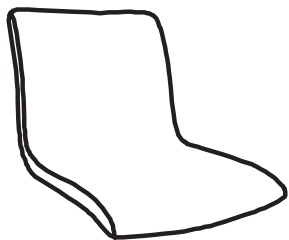


Cx1

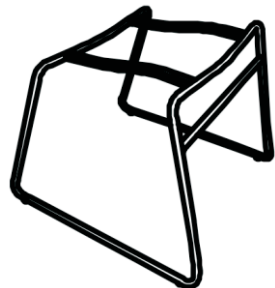


PARTS

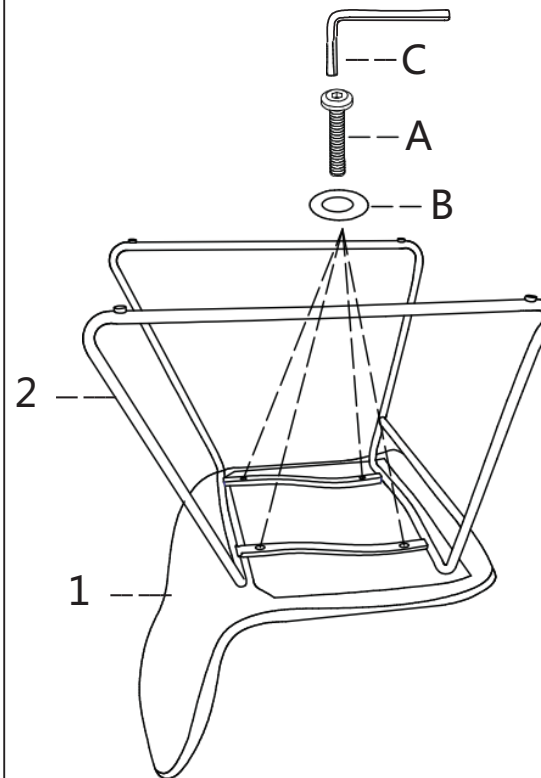
1x1



2x1



(1)



(2)

