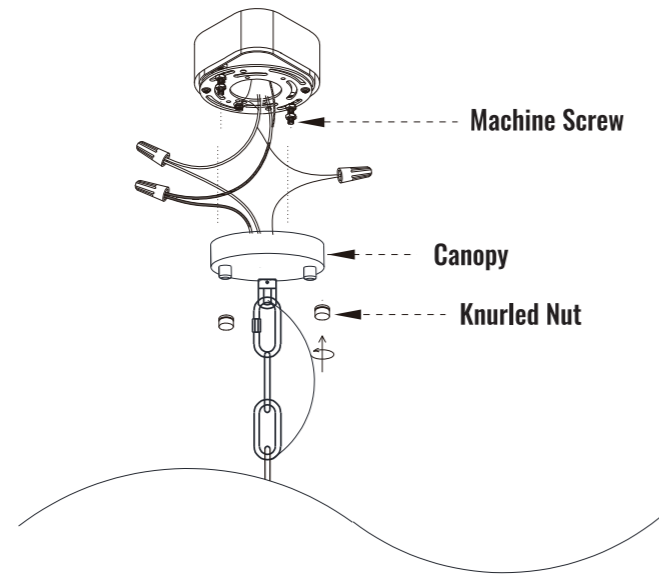
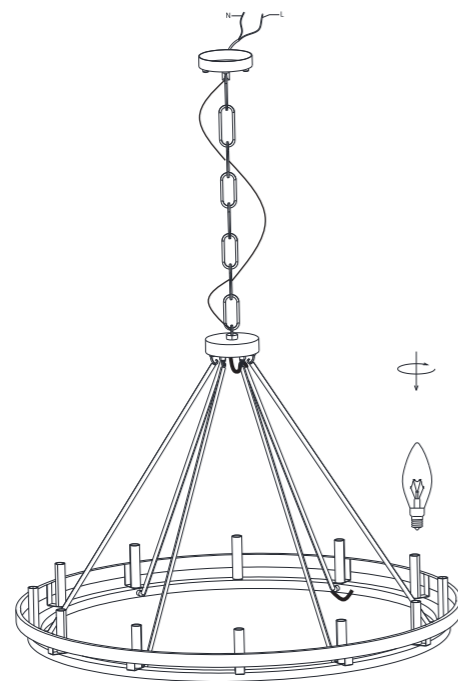


2. Fix the Canopy



Step 1: Align canopy holes with the machine screw and secure with the knurled nut.

3. Install Bulb



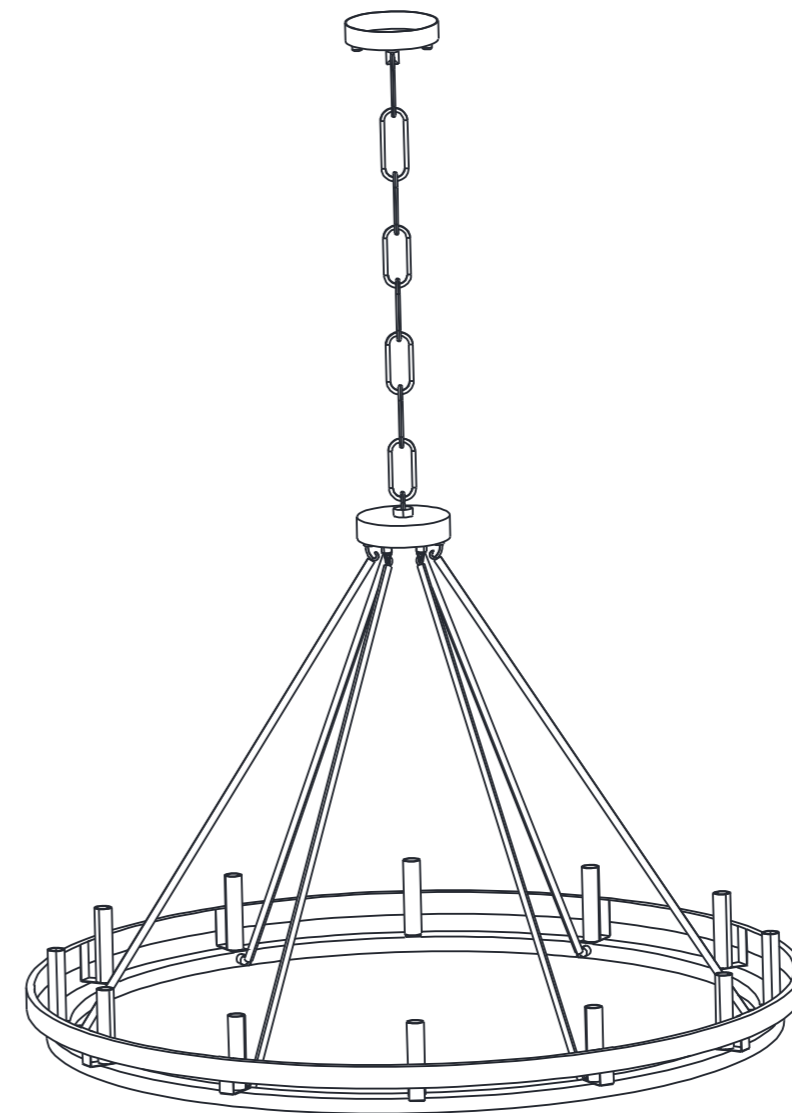
E12 Bulbs X 12
(Max 40W each, not included)

NOTE: This lamp uses E12 bulbs up to 40W. Fully dimmable when used with dimmable bulbs and compatible dimming switches (not included).

INSTALLATION MANUAL

CHANDELIER

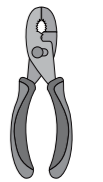
Model No.: YB003B-12A



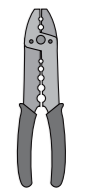
TOOLS REQUIRED



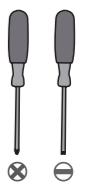
Ladder



Pliers



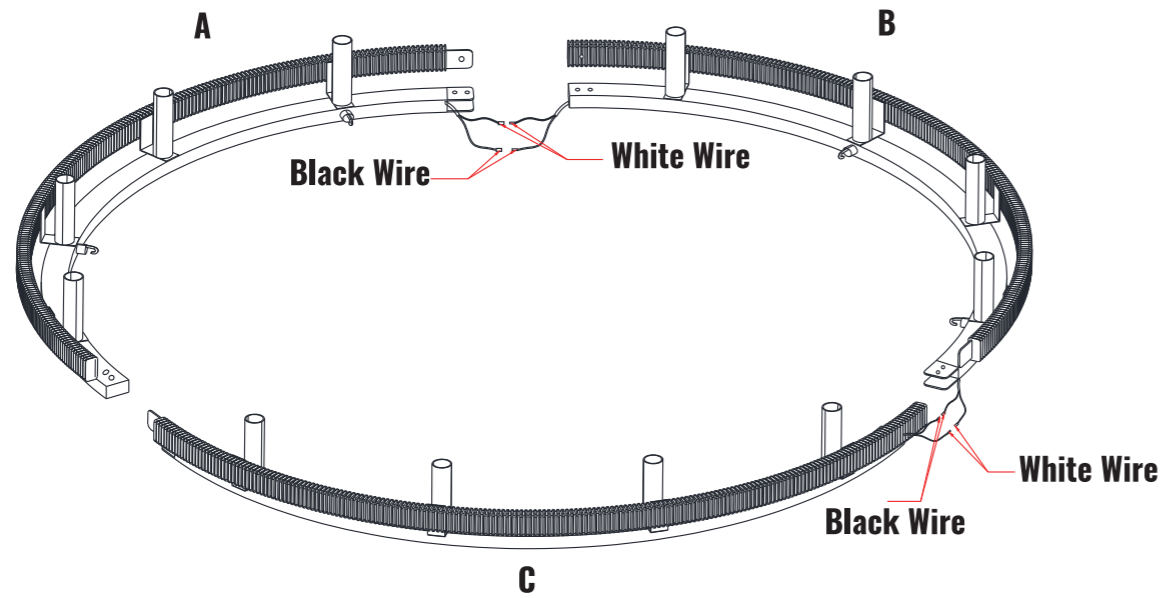
Wire Strippers



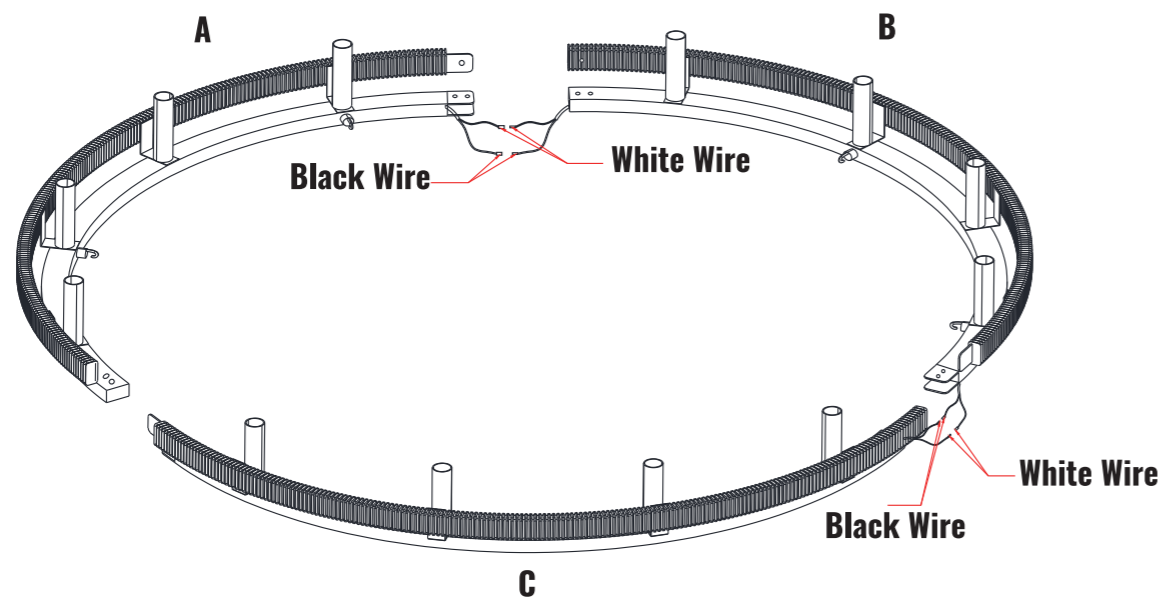
Screwdrivers

INSTALLATION

Install Fixture Body

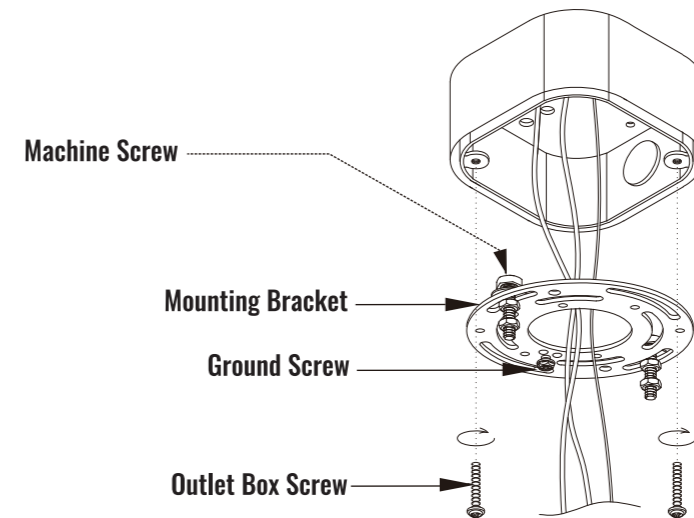


Step 1: Arrange the square pipes into circles in order A-B-C.



Step 2: The black line connects the black line, and the white line connects the white line.

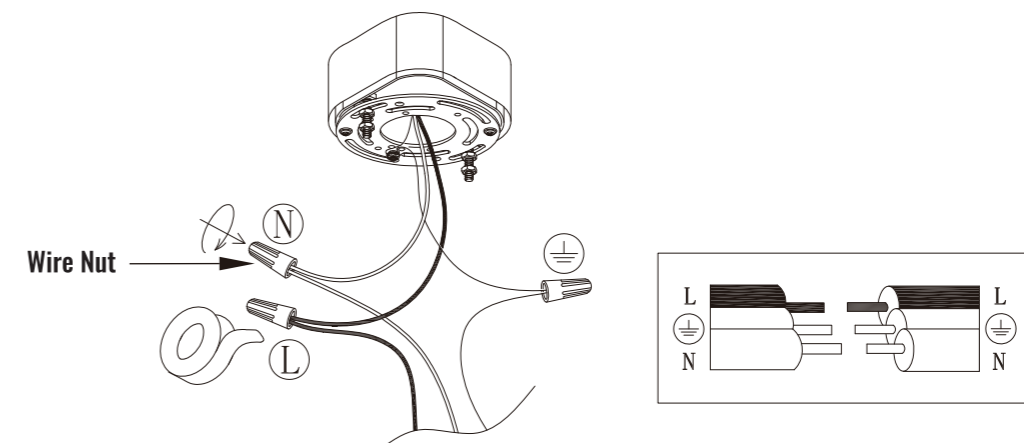
7. Install Mounting Bracket



Step 1: Take off the screws from outlet box, secure the mounting bracket onto the box with screws taken off or outlet box screw.

MOUNTING AND WIRE

1. Connect the Wires

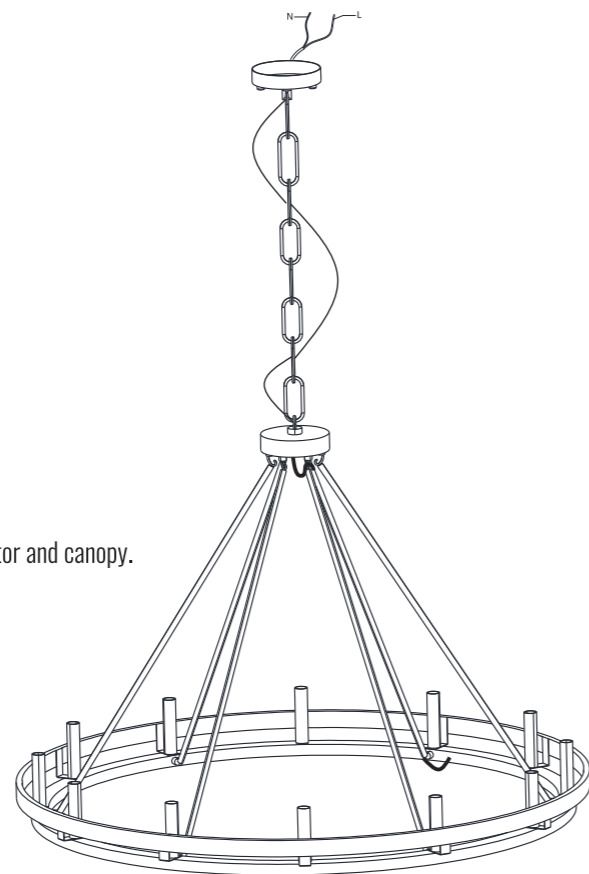


Step 1: Wrap the ground wire from the outlet box around the ground screw on the bracket, and then connect the ground wire from the fixture to the ground wire from the outlet box.

Step 2: Connect the wires from the fixture to the house supply wires, neutral wire (white) to neutral wire, and hot wire (black) to hot wire.

Step 3: Spread apart the wires so that the hot wires are on one side of the outlet box and the neutral wires are on the other side.

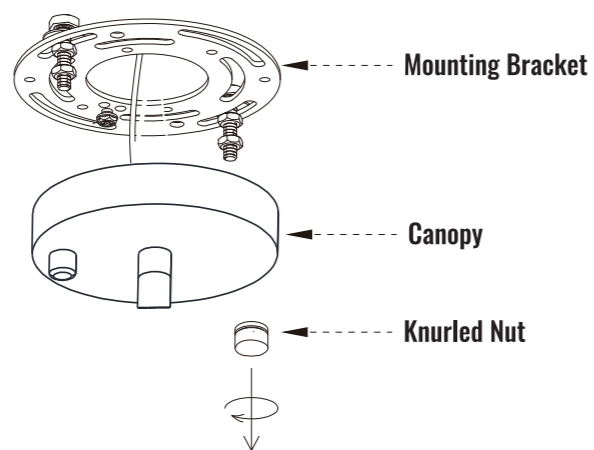
5. Pass the Wire



Step 1: Pass the wires of lamp body through hanging rod, connector and canopy.

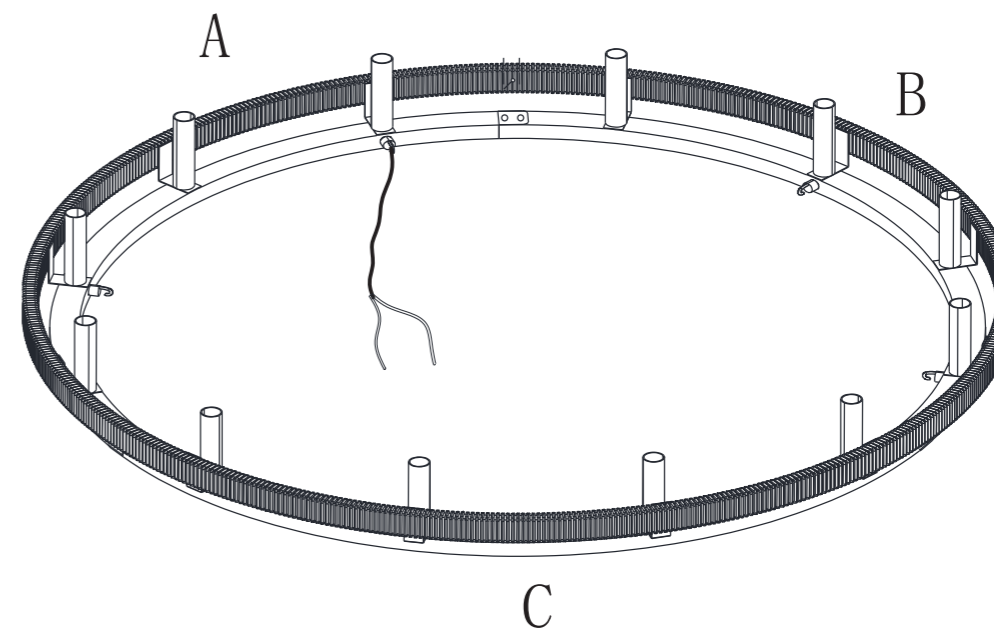
NOTE: Don't make the wires too tight.

6. Remove the Mounting Bracket



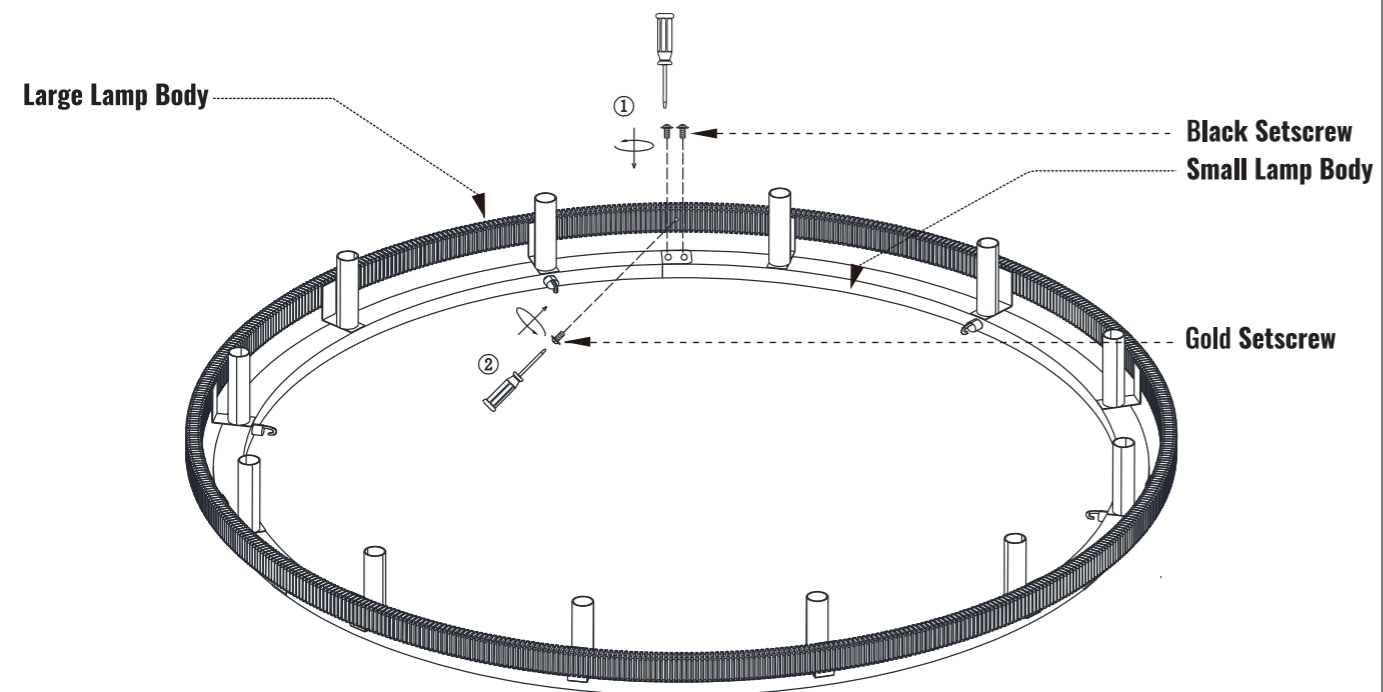
Step 1: Loosen and remove the knurled nut from the round holes, then take out the mounting bracket from the canopy.

2. Connect the Fixture Body



Step 3: Connect the square pipes A-B-C in sequence.

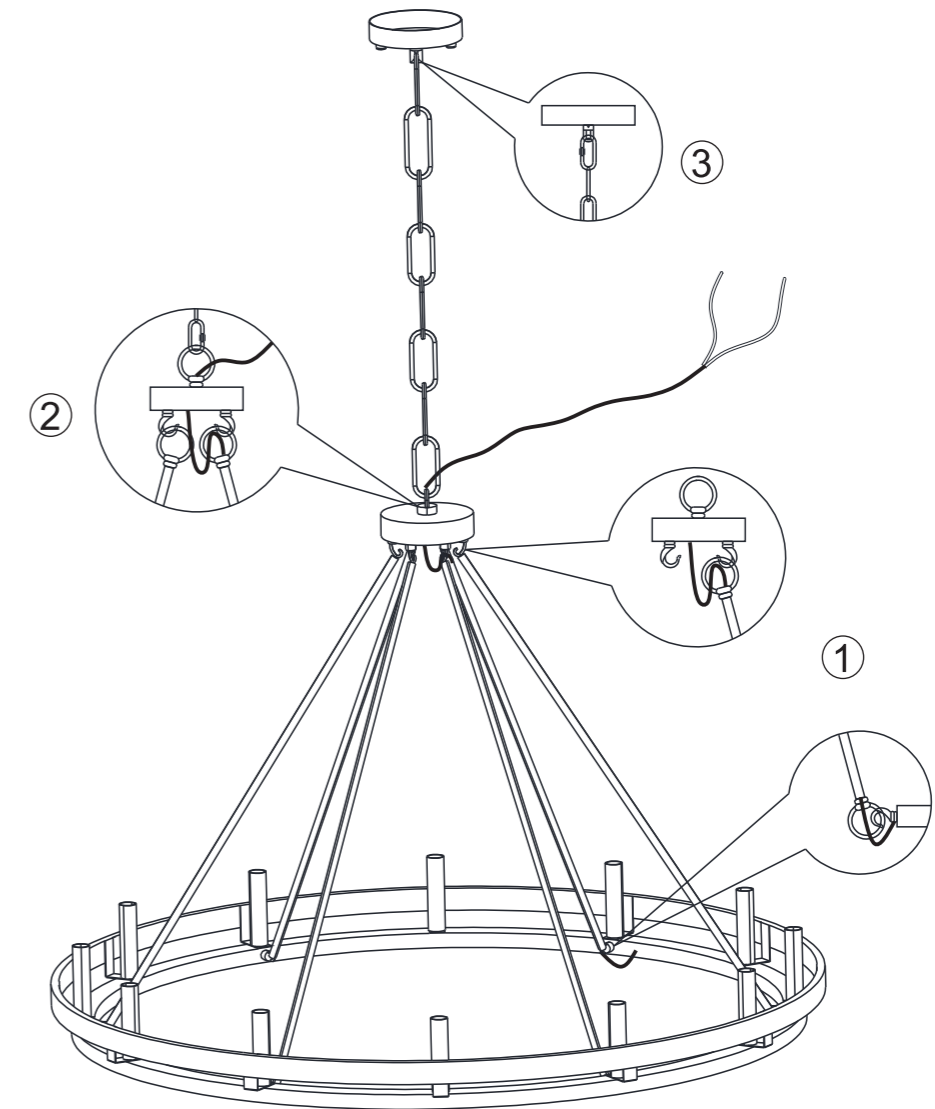
3. Fix the Fixture Body



Step 1: The black setscrew locks onto the top of the small lamp body.

Step 2: The gold setscrew locks onto the side of the large lamp body.

4. Install Lamp Body



Step 1: Fix the hanging rings at both ends of the hanging rod on the hooks of the connector and the small lamp body respectively.

Step 2: Connect the chain to the fixture loop on the connector using the quick link.

Step 3: Connect the chain to the canopy loop on the canopy using the quick link.