

ASSEMBLY INSTRUCTIONS
COASTER FINE FURNITURE



Fine Furniture for every stage of life

707847
End Table

ITEM:707847



ASSEMBLY INSTRUCTIONS

ASSEMBLY TIPS:

1. Remove hardware from box and sort by size.
2. Please check to see that all hardware and parts are present prior to start of assembly.
3. Please follow attached instructions in the same sequence as numbered to assure fast & easy assembly.



WARNING!




1. Don't attempt to repair or modify parts that are broken or defective. Please contact the store immediately.
2. This product is for home use only and not intended for commercial establishments.



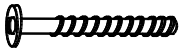
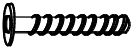




ASSEMBLY TIME

15 MINUTES

PARTS IDENTIFICATION

A	TOP		1PC
B	LOWER LEG FRAME		1PC
C	UPPER LEG FRAME		1PC

HARDWARE IDENTIFICATION

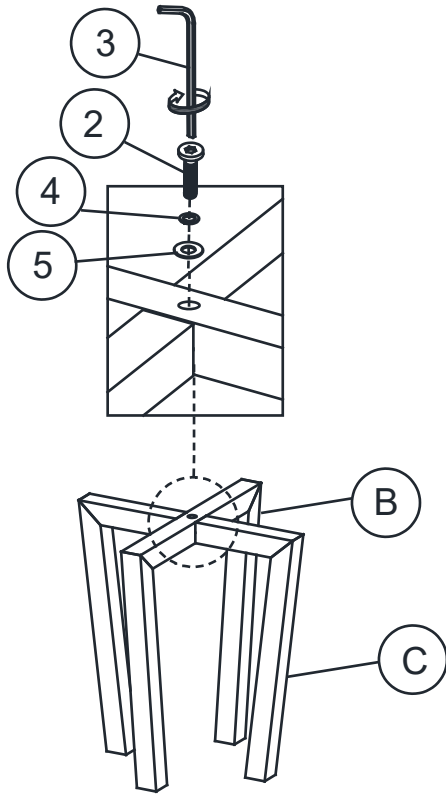
1	LONG BOLT (M8 X 70mm - BLK)		4PCS
2	SHORT BOLT (M8 X 35mm - BLK)		1PC
3	ALLEN WRENCH (M5 x 95mm - BLK)		1PC
4	LOCK WASHER (M8 x 14mm - BLK)		1PC
5	FLAT WASHER (M8 x 16mm - BLK)		1PC
6	ADJUSTABLE LEVELER (M6 X 23mm - BLK)		4PCS

ITEM: **707847**

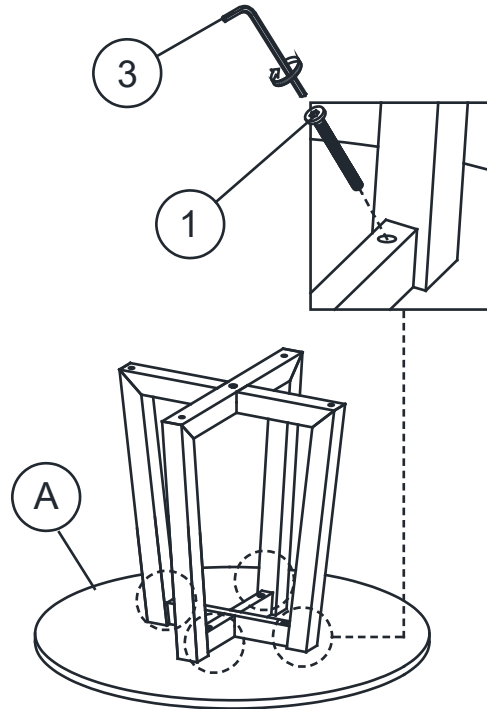
ASSEMBLY INSTRUCTIONS



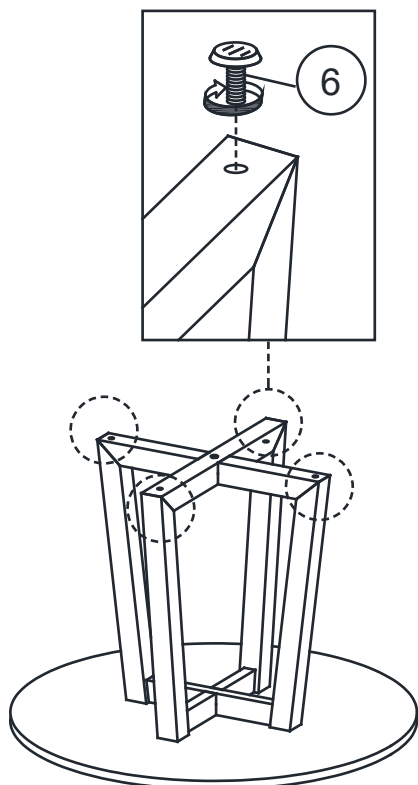
STEP 1



STEP 2



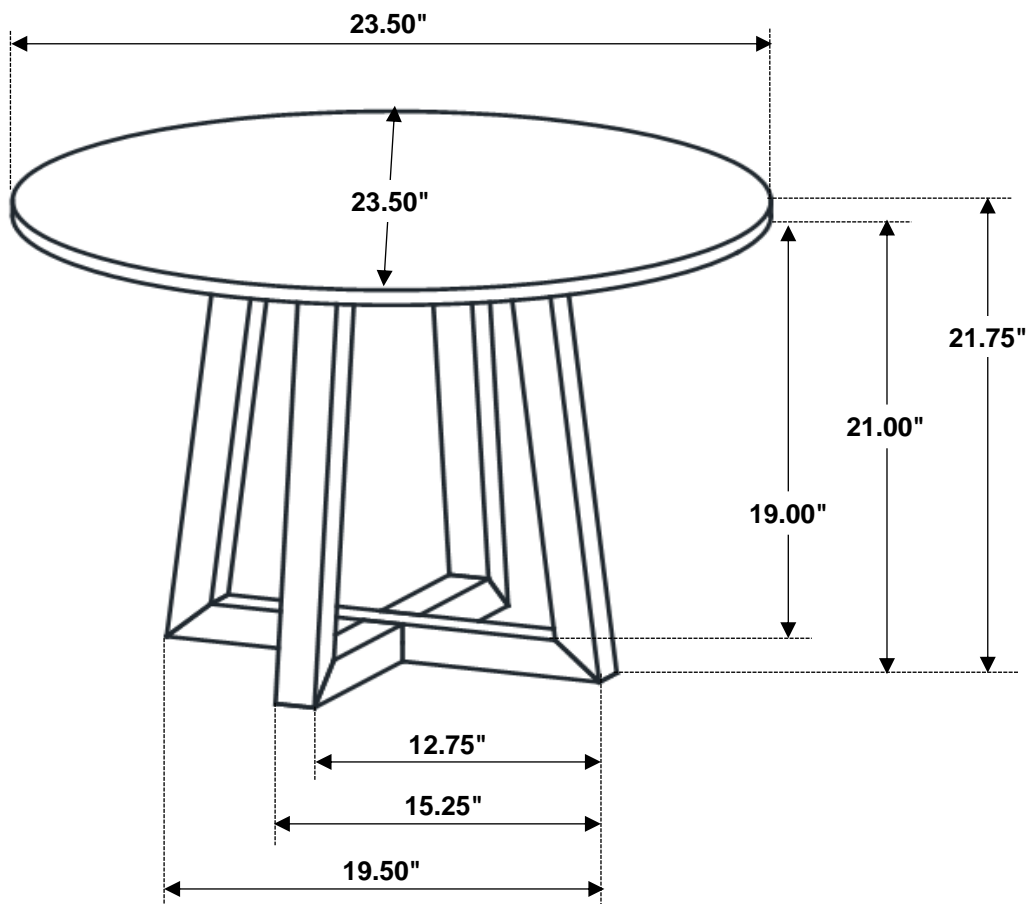
STEP 3



STEP 4
COMPLETE



ITEM: 707847



Note: Dimension tolerance $\pm 5\%$