

INSTRUCTION MANUEL ENCLOSED

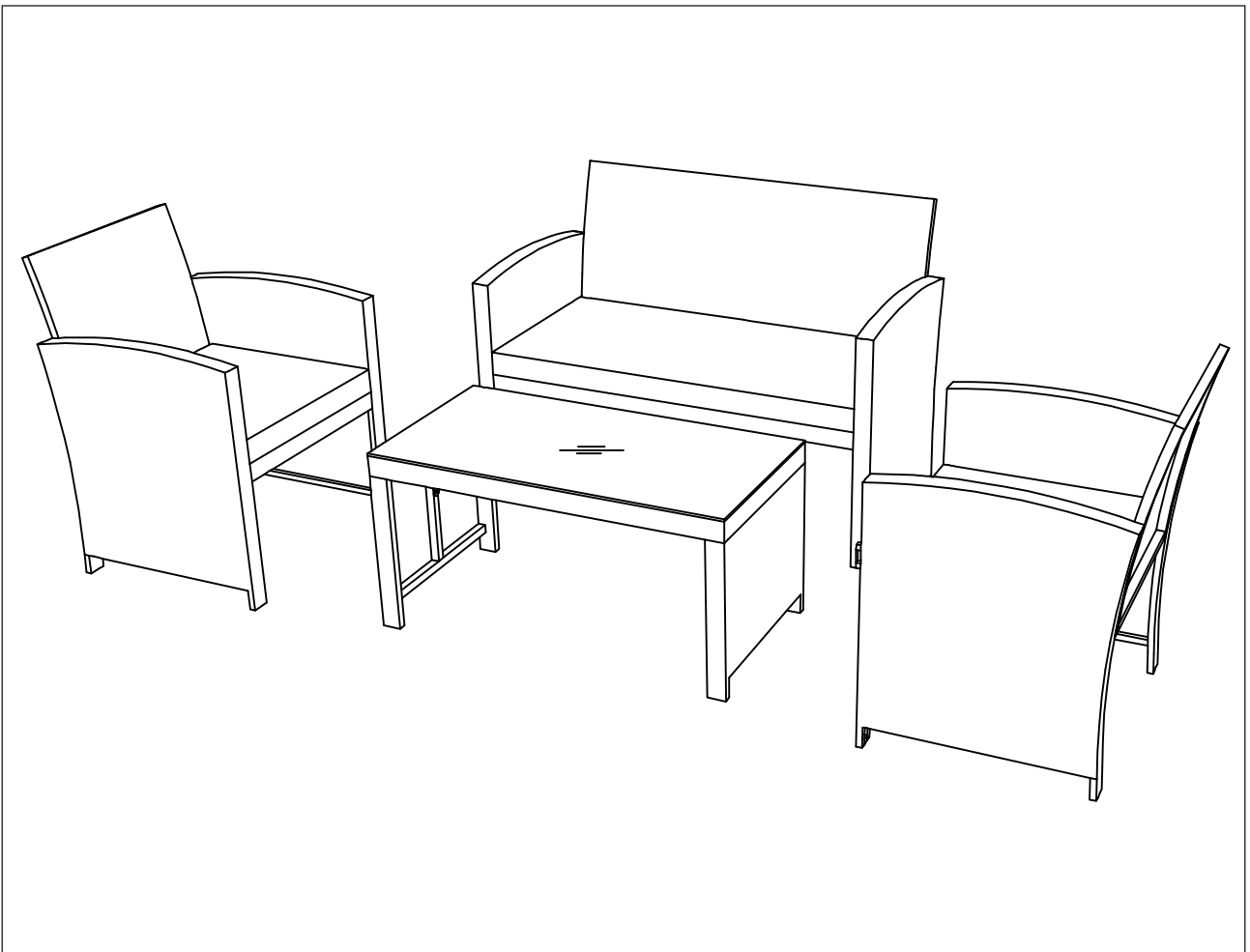
ATTENTION

**IF YOU HAVE ANY PROBLEMS OR QUESTIONS, EMAIL OR CALL
CUSTOMER SERVICE BEFORE YOU RETURN THIS PRODUCT TO THE
STORE WHERE IT WAS PURCHASED.**

INSTRUCTION MANUEL ENCLOSED

PATIO SEATING 4PC

PATIO SEATING 4PC ASSEMBLY INSTRUCTION



PARTS LIST


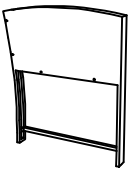
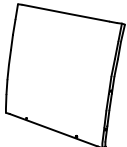
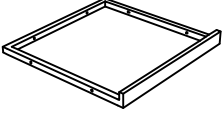
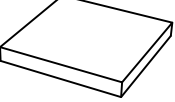
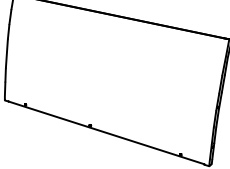
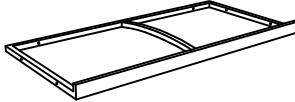
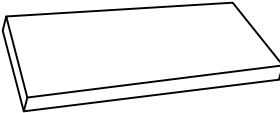
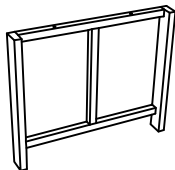
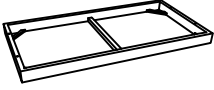

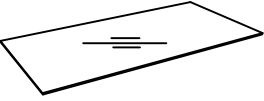



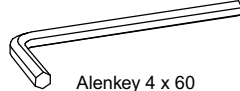
Part	Description	Quantity
------	-------------	----------

PARTS

A	Right arm	3
B	Left arm	3
C	Chair backrest	2
D	Chair seat base	2
E	Chair cushion	2
F	Bench backrest	1
G	Bench seat base	1
H	Bench cushion	1
K	Table leg	2
L	Table top	1
M	Table side panel	1
O	Glass table top	1

HARDWARE

1	Bolt M6x40 mm	35
2	Washer Ø6x14x1 mm	39
3	Bolt M6x20 mm	4
4	Allen key 4x60 mm	3

<p>A</p>  <p>x3</p>	<p>B</p>  <p>x3</p>	<p>C</p>  <p>x2</p>	<p>D</p>  <p>x2</p>
<p>E</p>  <p>x2</p>	<p>F</p>  <p>x1</p>	<p>G</p>  <p>x1</p>	<p>H</p>  <p>x1</p>
<p>K</p>  <p>x2</p>	<p>L</p>  <p>x1</p>	<p>M</p>  <p>x1</p>	<p>O</p>  <p>x1</p>
<p>1</p>  <p>M6x40 mm</p> <p>x35</p>	<p>2</p>  <p>Ø6 x 14 mm</p> <p>x39</p>	<p>3</p>  <p>M6x20 mm</p> <p>x4</p>	<p>4</p>  <p>Allenkey 4 x 60</p> <p>x3</p>

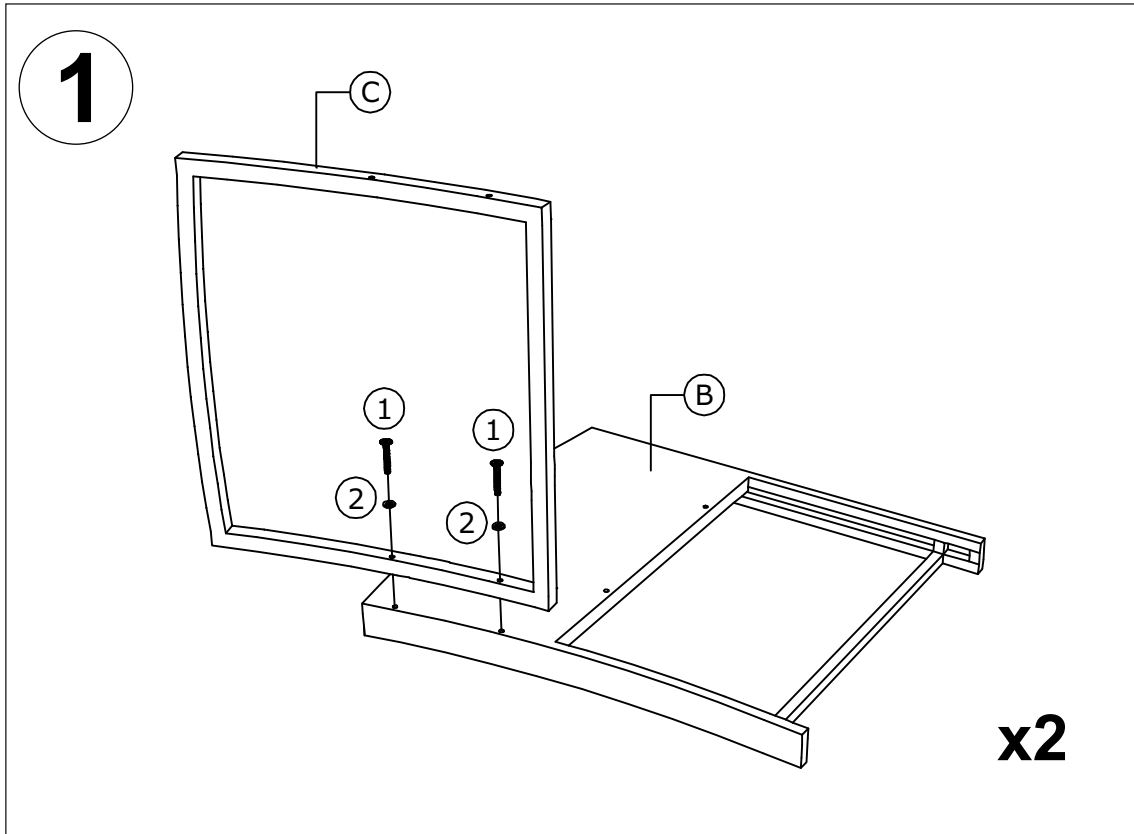
PLEASE READ AND FOLLOW ALL SAFETY TIPS

1. Before assembly, CAREFULLY use scissors or utility knife to cut and unwrap all parts. Make sure you do not discard the hardware.

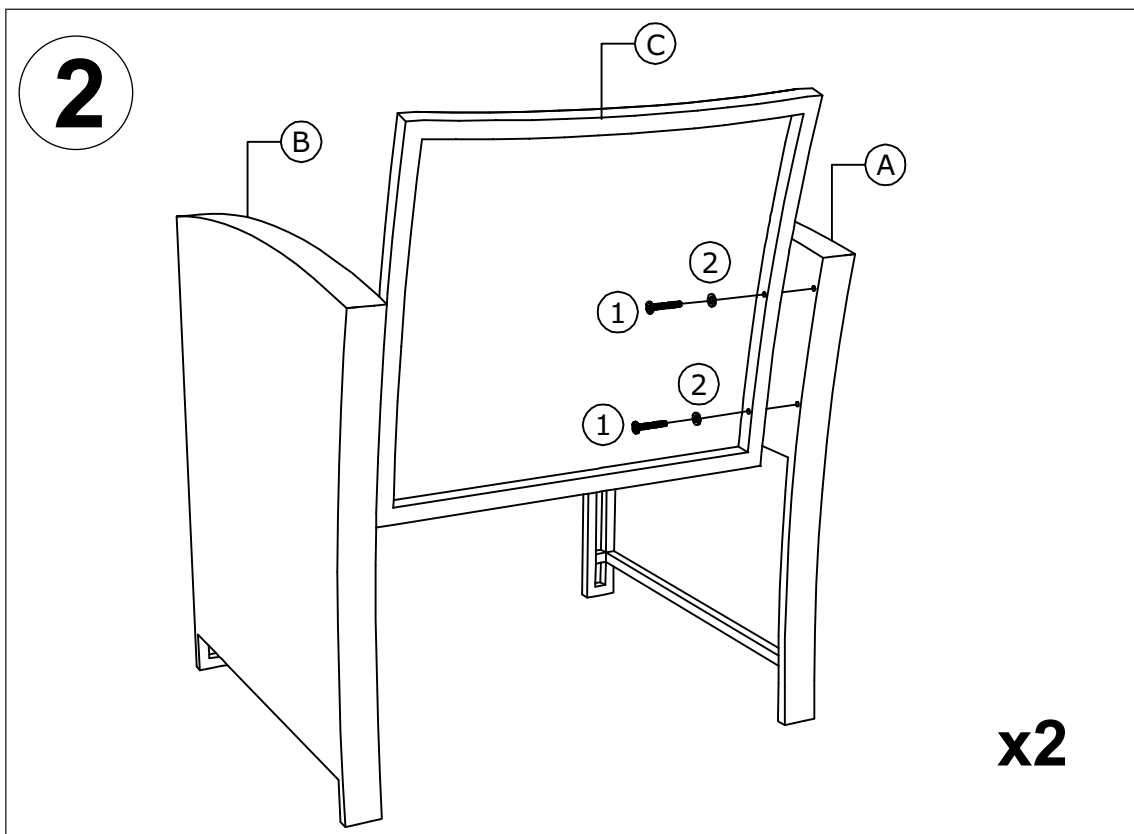
Warm Tips:

1. The plastic covers on some metal parts are just for product protection, Please remove it before assembly.
2. Please follow the sequence of AI during assembly.
3. Do not tighten the screws until all of them are in right positions.

1. Locate Chair backrest (C) to the Left arm (B) by the pre-drilled threads.
Use Allen Key (4) to fasten Bolts (1) with Washers (2). Should have 2 bolts fastened.
Only fixed bolts 50% (Photo 1).



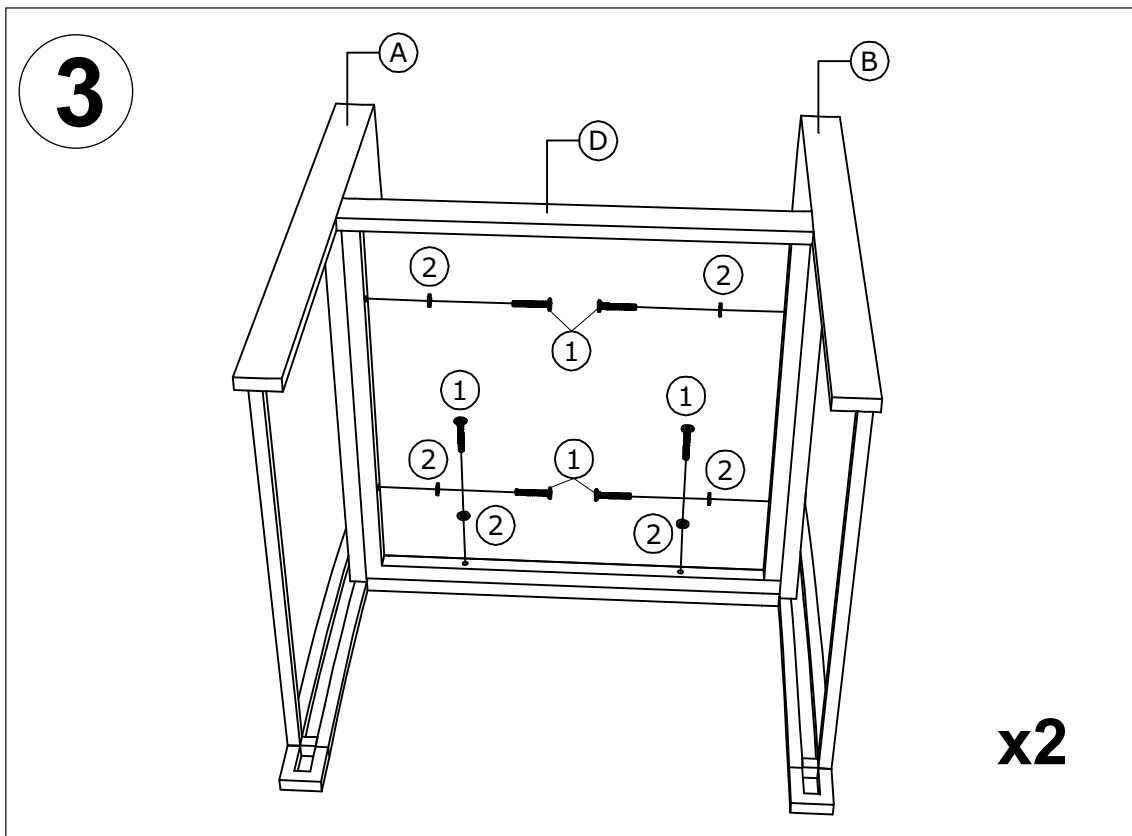
2. Locate Right arm (A) to the Chair backrest (C) by the pre-drilled threads.
Use Allen Key (4) to fasten Bolts (1) with Washers (2). Should have 2 bolts fastened.
Only fixed bolts 50% (Photo 2).



3. Locate Chair seat base (D) to the Left arm (B), Right arm (A) and Chair backrest (C) by the pre-drilled threads.

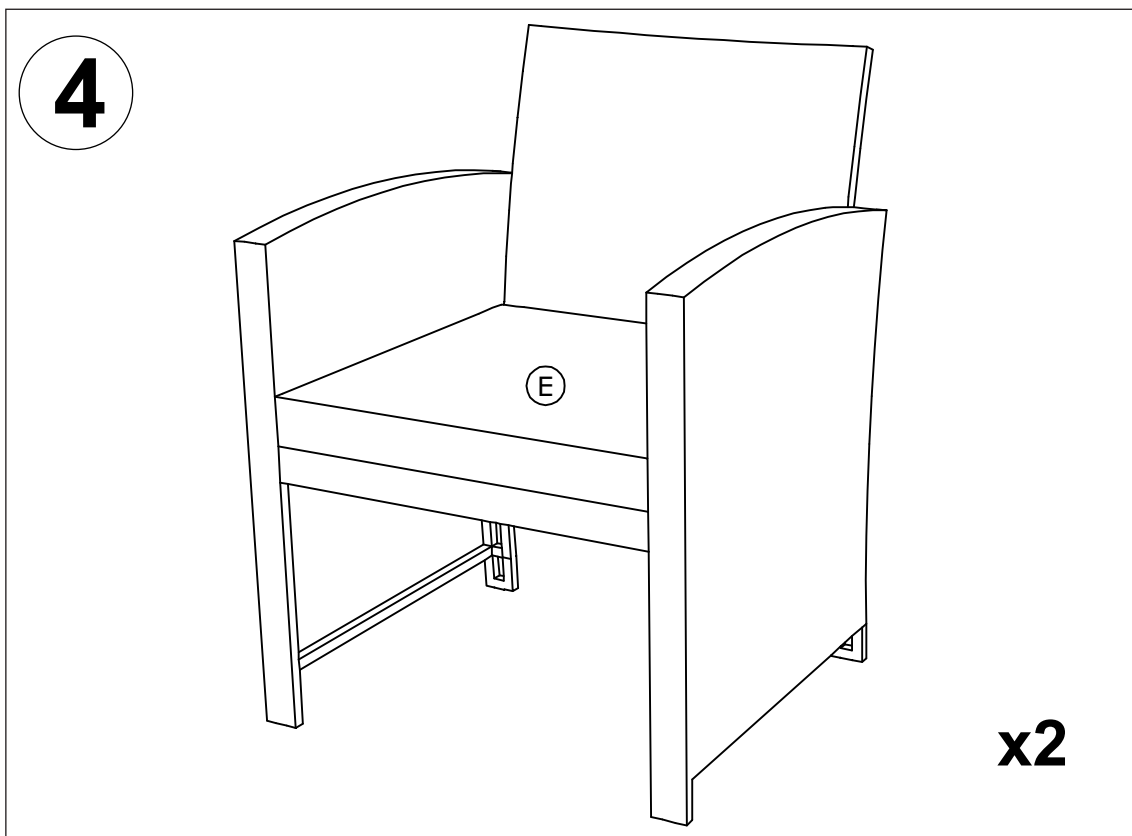
Use Allen Key (4) to fasten Bolts (1) with Washers (2). Should have 6 bolts fastened.

Only fixed bolts 50% (Photo 3).

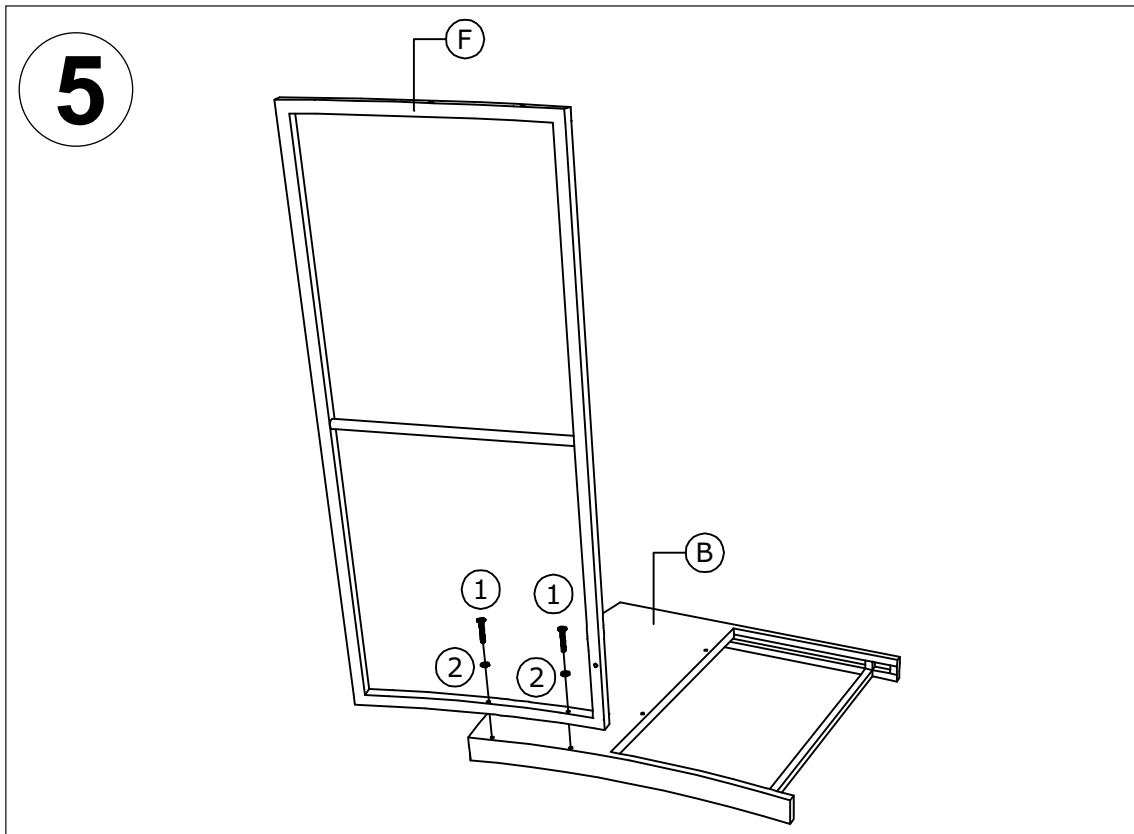


4. Fixed all bolts 100%.

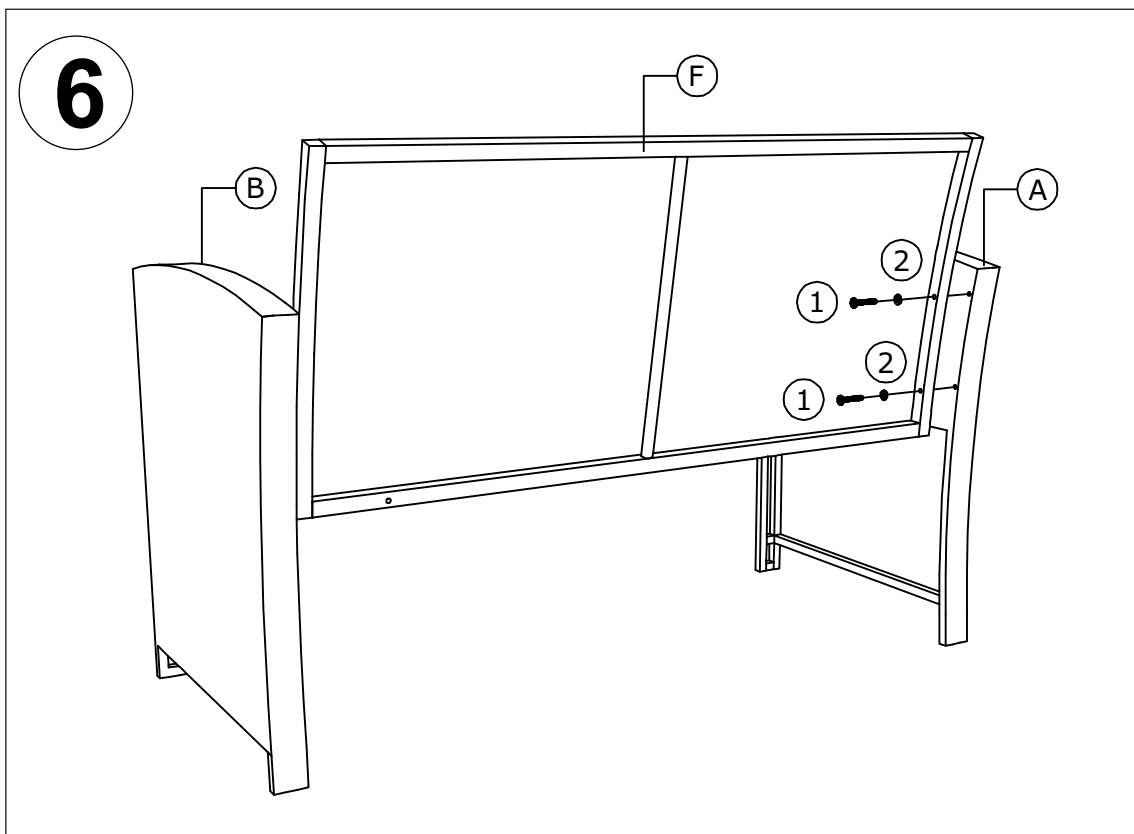
Place Chair cushion (E) on the top chair (Photo 4).



5. Locate Bench backrest (F) to the Left arm (B) by the pre-drilled threads.
Use Allen Key (4) to fasten Bolts (1) with Washers (2). Should have 2 bolts fastened.
Only fixed bolts 50% (Photo 5).



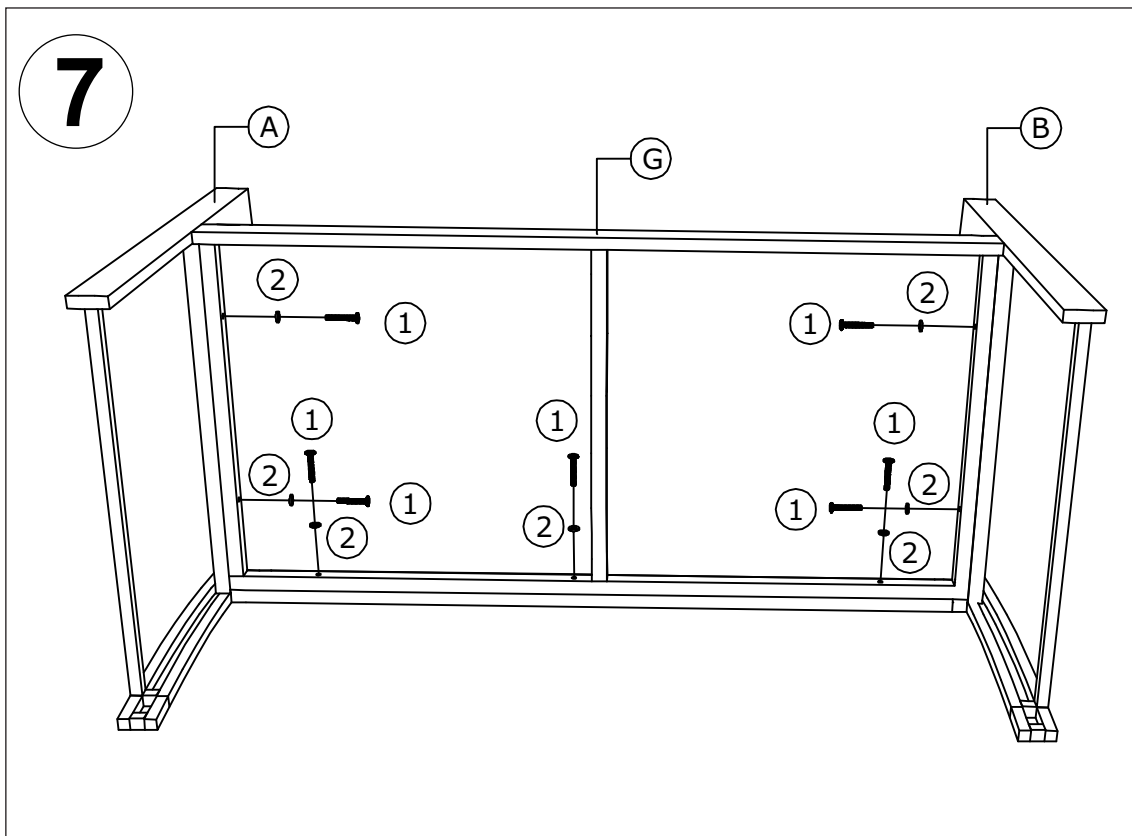
6. Locate Right arm (A) to the Bench backrest (F) by the pre-drilled threads.
Use Allen Key (4) to fasten Bolts (1) with Washers (2). Should have 2 bolts fastened.
Only fixed bolts 50% (Photo 6).



7. Locate Bench seat base (G) to the Left arm (B), Right arm (A) and Bench backrest (C) by the pre-drilled threads.

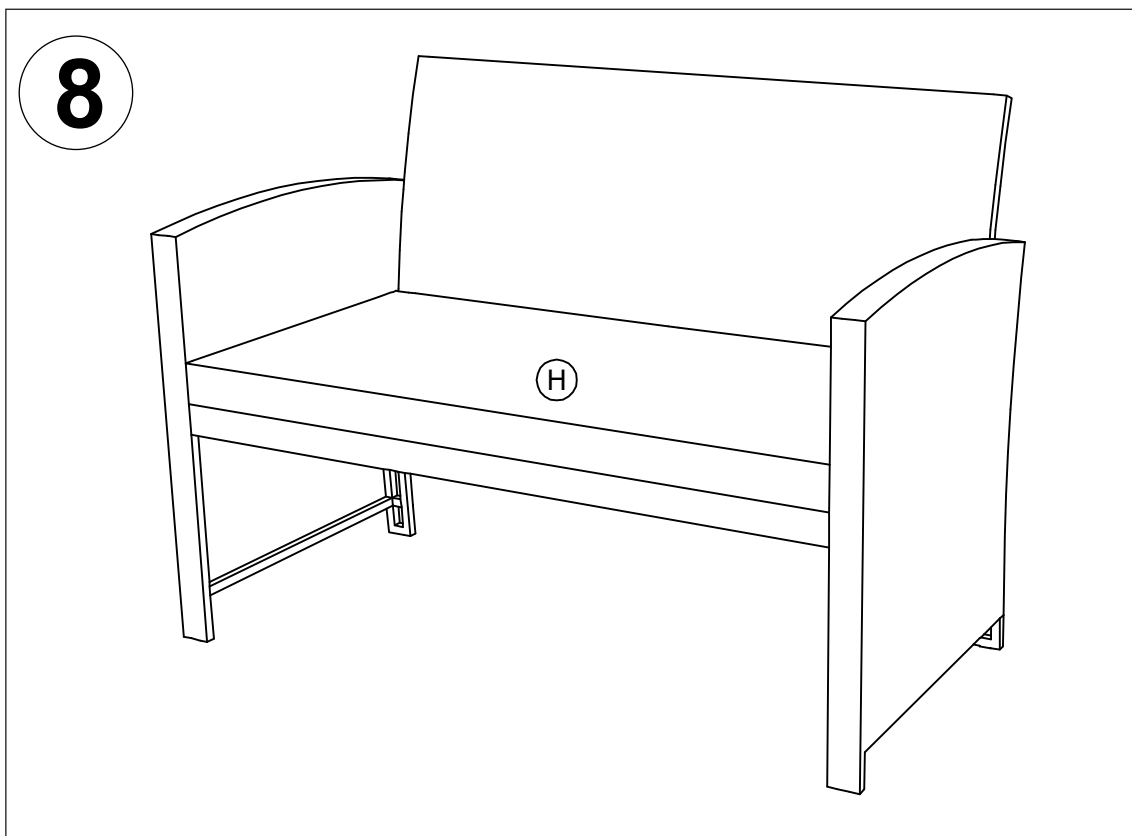
Use Allen Key (4) to fasten Bolts (1) with Washers (2). Should have 7 bolts fastened.

Only fixed bolts 50% (Photo 7).

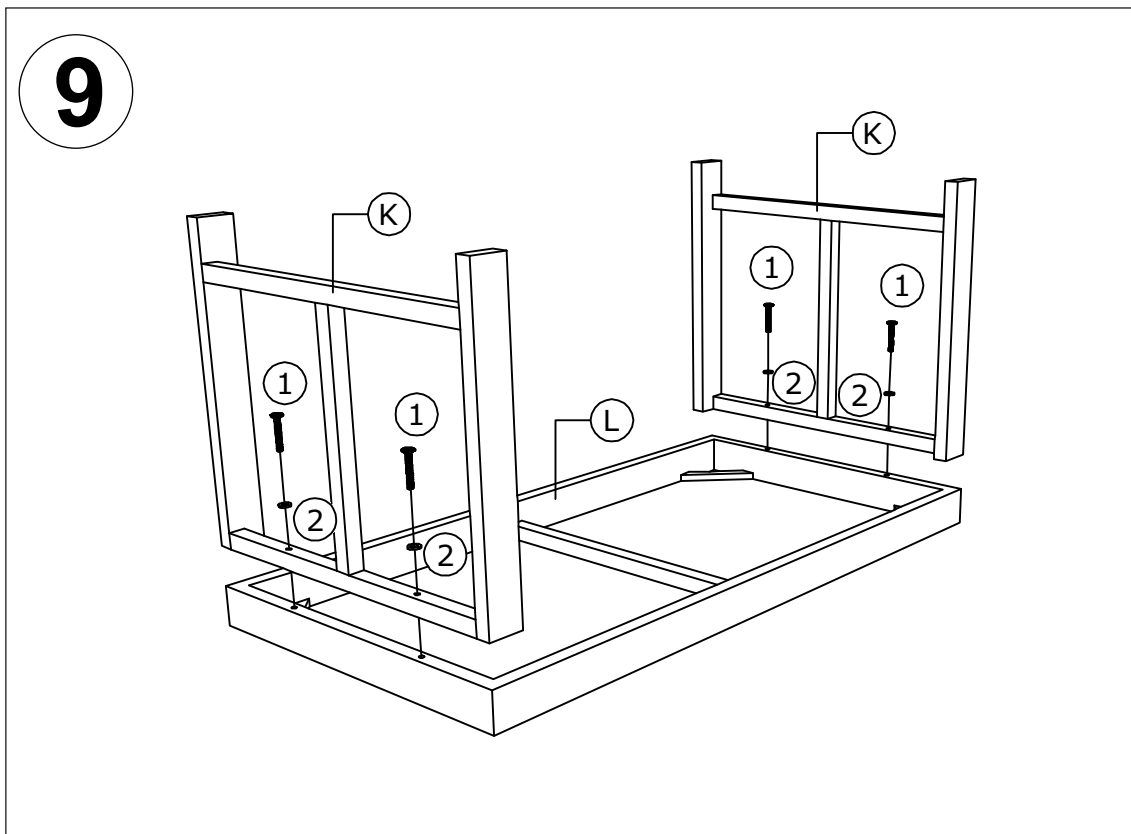


8. Fixed all bolts 100%.

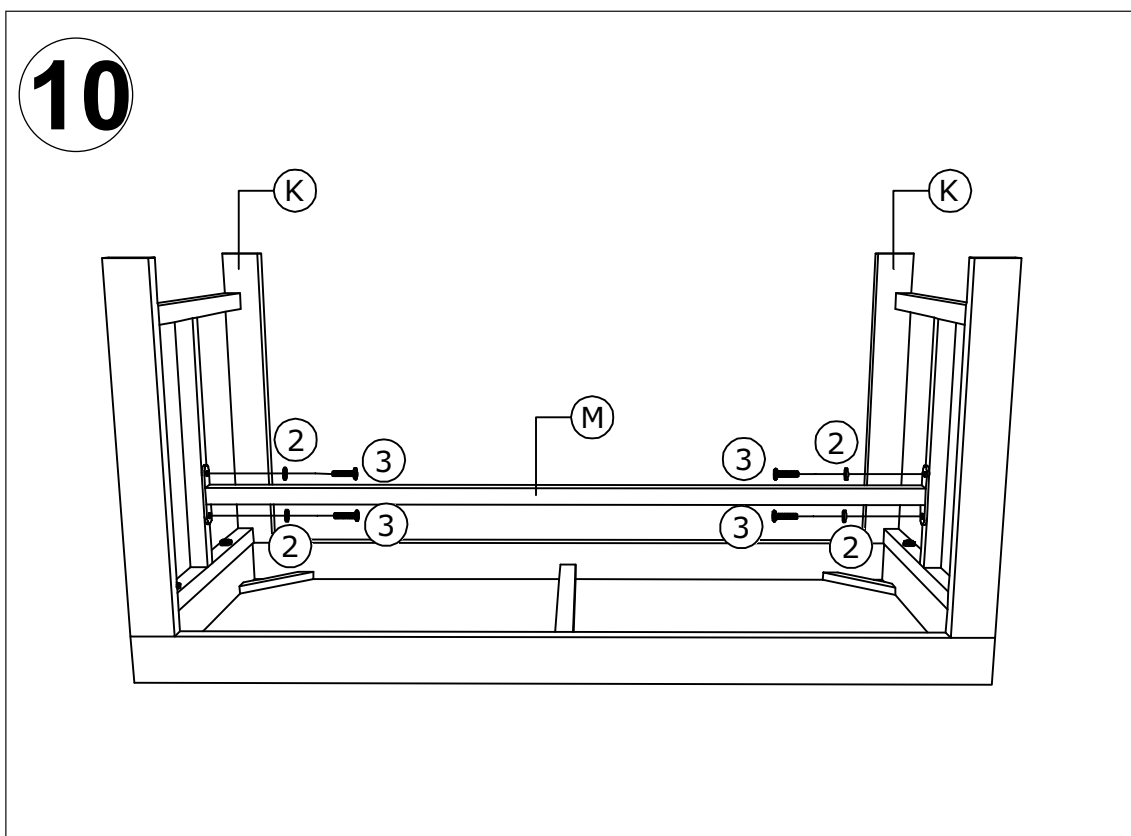
Place Bench cushion (H) on the top bench (Photo 8).



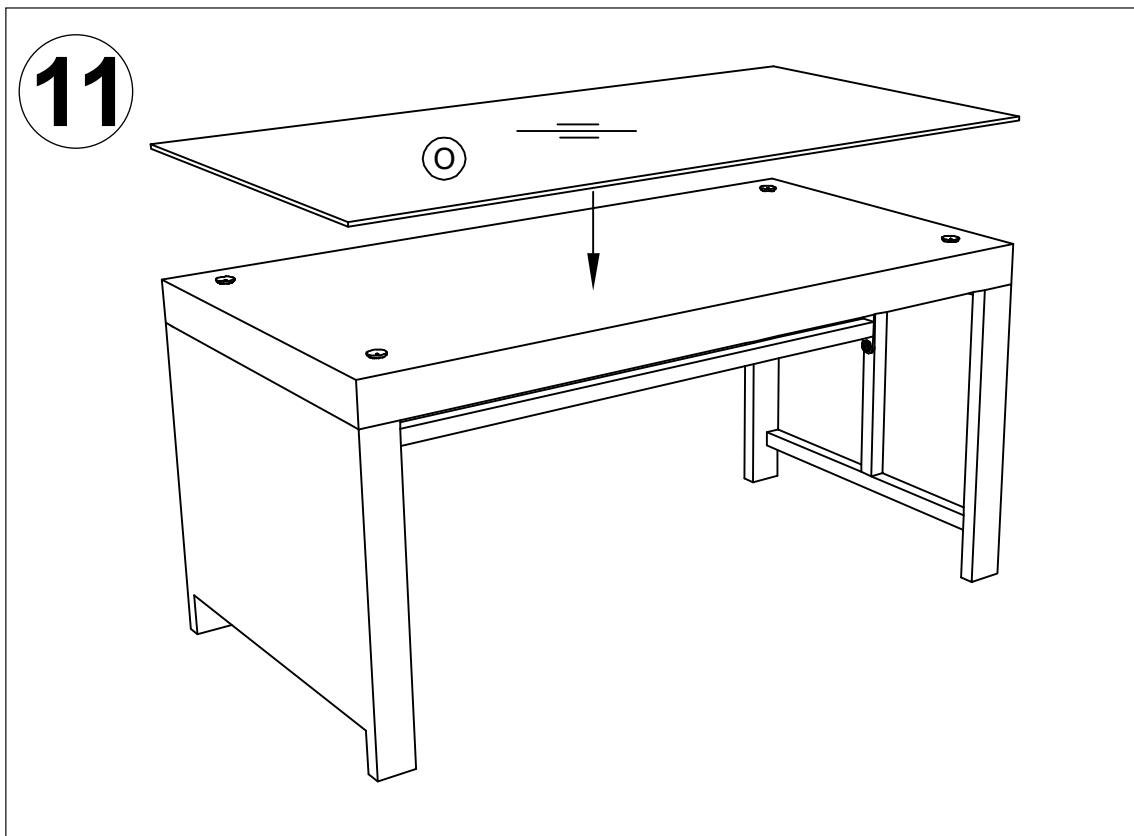
9. Locate Table leg (K) to the Table top (L) by the pre-drilled threads.
Use Allen Key (4) to fasten Bolts (1) with Washers (2). Each table leg should have 2 bolts fastened.
Only fixed bolts 50% (Photo 9).



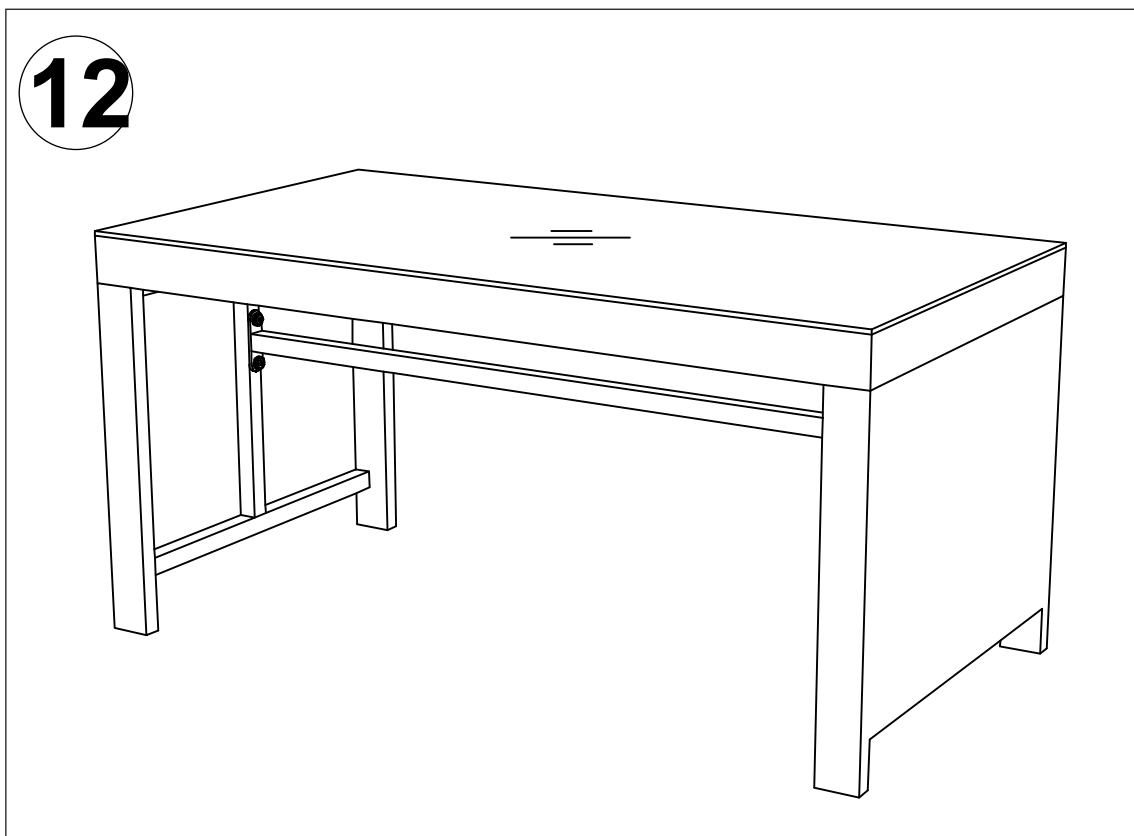
10. Locate Table side panel (M) to 2 Table leg (K) by the pre-drilled threads.
Use Allen Key (4) to fasten Bolts (2) with Washers (3). Should have 4 bolts fastened.
Only fixed bolts 50% (Photo 10).



11. Fixed all bolts 100%.
Then place the Glass table top (O) on the top table (Photo 11).



12. Finish.



Till now you have finished the whole assembly and enjoy your furniture!