


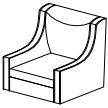
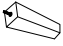

# ASSEMBLY INSTRUCTIONS

## ACCENT CHAIR

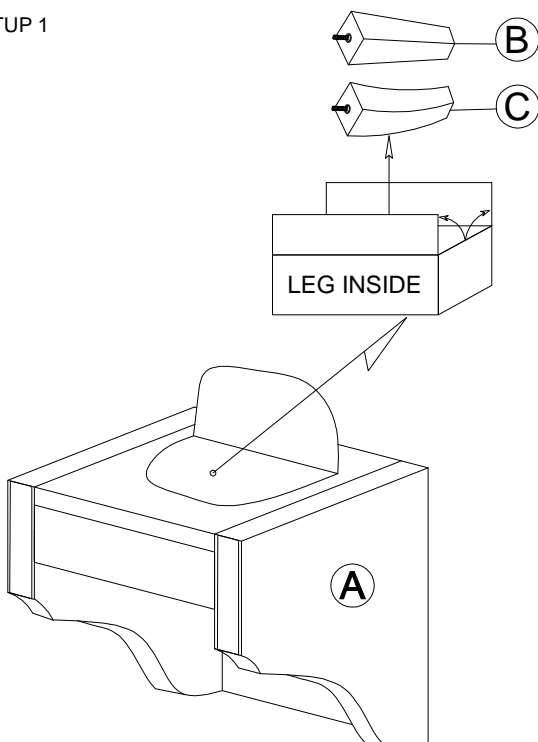
Thank you for purchasing this product. Please take time to read and follow the instructions below. Check that you have all parts and hardware before assembly. Parts apparently missing are often found in the packing materials. If you do not have all the parts listed, have your dealer contact us and they will be sent to you immediately.

 It is recommended to install protective pads under all legs and supports to avoid damage or scratches when placing furniture on a wood floor or other hard surface, and to limit indentation and prevent discoloration if placing on carpet.

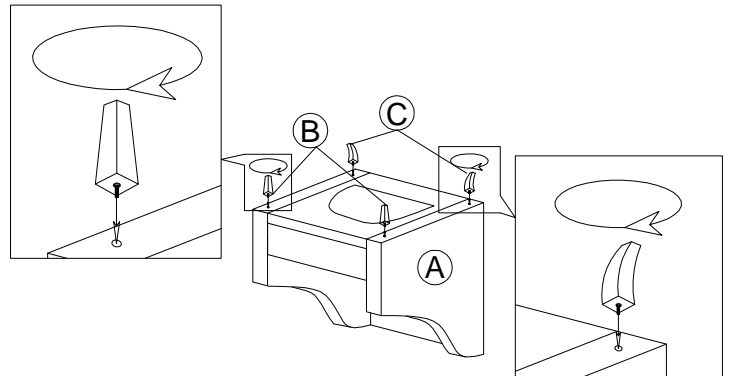


PART LIST			
NO:	COMPONENT	SKETCH	QTY
A	ACCENT CHAIR		1 PC
B	LSF/RSF FRONT LEG		2 PCS
C	LSF/RSF BACK LEG		2 PCS

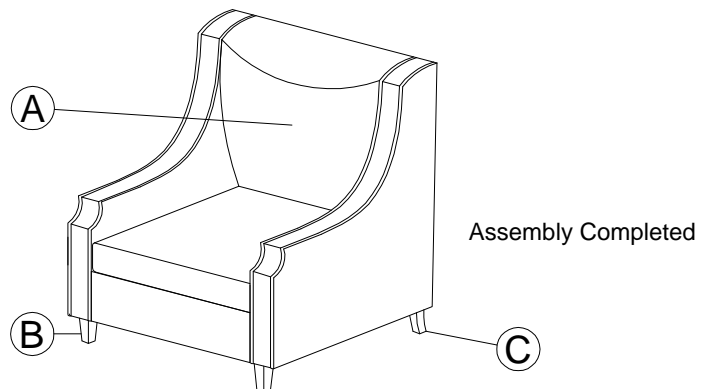
STUP 1



STUP 2



STUP 3



### CARE INSTRUCTION FOR 100% POLYESTER FURNITURE

In order to maintain the original appearance of your 100% polyester furniture, please follow below care procedures :

Avoid exposing furniture directly to sunlight or heating and air conditioning outlets. Sunlight and/or exposure to heating and air conditioning outlets will / damage 100% polyester. Do not place your upholstered furniture too close to windows, radiators, vents and be sure to use window treatments to block the sun's rays.

- Use soft brush to remove dust.