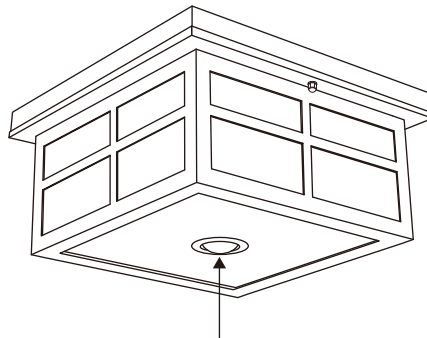


Ceiling Light Motion Sensor User Manual

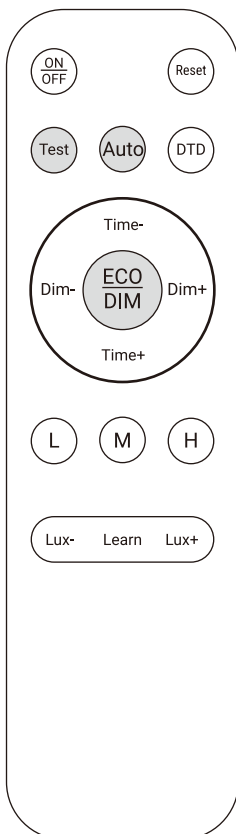


- This sensor requires the **DIMMABLE LED BULB** to work properly otherwise it may cause the bulb to flicker.
- Motion sensor light fixtures are unsuitable for dimmer switches. This can cause damage to the sensor chip.
- Do not have other intense light directly on the sensor, or install the lamps too close together, which may cause the sensor to enter the light-on-off cycle.



Motion Sensor & Indicator Light

Quick Sensor Setup:



Installation test

When the fixture is powered on, it will illuminate for 15 seconds regardless of day or night, continuously testing the functionality of the fixture and bulb. When motion is detected, the light turns on at full brightness. After 2 minutes, Test Mode will automatically exit and revert to the last selected mode. (defaults to DIM Mode).

Notes:

- To re-enter Test Mode, press the (Test) button on the remote. Test Mode activated via remote will not exit automatically.
- The test mode is only for installation testing and is not a normal working mode.

Auto Mode (ECO or DIM)

After completing the initialization test, press the (Auto) button to enter Auto Mode. Then press the (ECO/DIM) button to switch between DIM and ECO modes.

The indicator light inside the sensor will display the current mode based on its color.

- **DIM Mode - Red Indicator Light**
The light stays on at low brightness when no motion is detected, and turns to full brightness when motion is detected.
- **ECO Mode - Green Indicator Light**
The light stays off when no motion is detected, and turns on at full brightness when motion is detected.

Motion Sensor Operating Mode:

* Light brightness adjustable

Operating Mode	Activation	Indicator Light	☀ Day	☾ Night	☾ + 🚶 Motion Detected	☾ Night
DIM MODE	Auto → ECO DIM	Red flashes 2 times	💡 OFF	💡 40%* ON	💡 100% ON	💡 40%* ON
ECO MODE	Auto → ECO DIM	Green flashes 1 times	💡 OFF	💡 OFF	💡 100%* ON	💡 OFF
DTD MODE	DTD	Blue	💡 OFF	💡 100%* On at night		
TEST MODE	Test	White	💡 40%* ON		💡 100% ON	💡 40%* ON
ON MODE	ON/OFF	White	💡 100%* On, Turn on the light with high-level brightness or turn it off by remote controller.			
Override Mode	📱 OFF-ON	Red/Green flashes 6 times	💡 100%* On off Completely controlled by the light switch			

DIM MODE – Press → (Indicator: Red)

At night, the light stays at 40% brightness, switching to full brightness when motion is detected.

Turns off automatically during daytime.

Ideal for: Front doors, porches, walkways

Benefits: Continuous gentle lighting, good nighttime visibility, a balanced choice for safety and energy saving

ECO MODE – Press → (Indicator: Green)

At night, the light turns to full brightness when motion is detected, and turns off when no motion is detected.

The light is completely off at dawn.

Ideal for: Driveways, garden paths, outdoor patios

Benefits: Maximized energy efficiency, automated control, immediate illumination for nighttime activities

DTD MODE – Press (Indicator: Blue)

The light automatically turns on at dusk and stays on throughout the night, then turns off at dawn.

Motion sensor is disabled in this mode for uninterrupted lighting.

Ideal for: Areas facing streets, walkways, or frequently used paths

Benefits: Reliable all-night lighting, further enhanced nighttime safety

ON MODE – Press (Indicator: White)

The light turns on manually via the remote control and stays on until turned off manually.

Sensor is disabled in this mode.

Ideal for: Indoor spaces, cleaning, hosting guests, or when motion sensing is not desired

Benefits: Full manual control, avoids false triggers, quick and convenient via remote

OVERRIDE MODE

In DIM or ECO Mode, Toggle the light switch off then on within 2 seconds. 

Indicator: Red/Green flashes 6 times to confirm activation.

At night, the light remains at 100% brightness for about 8 hours, then returns to the previous mode. (DIM, ECO)

Ideal for: Parties, work, festivals

Benefits: Provides continuous high-brightness lighting for special occasions.

Adjust light brightness

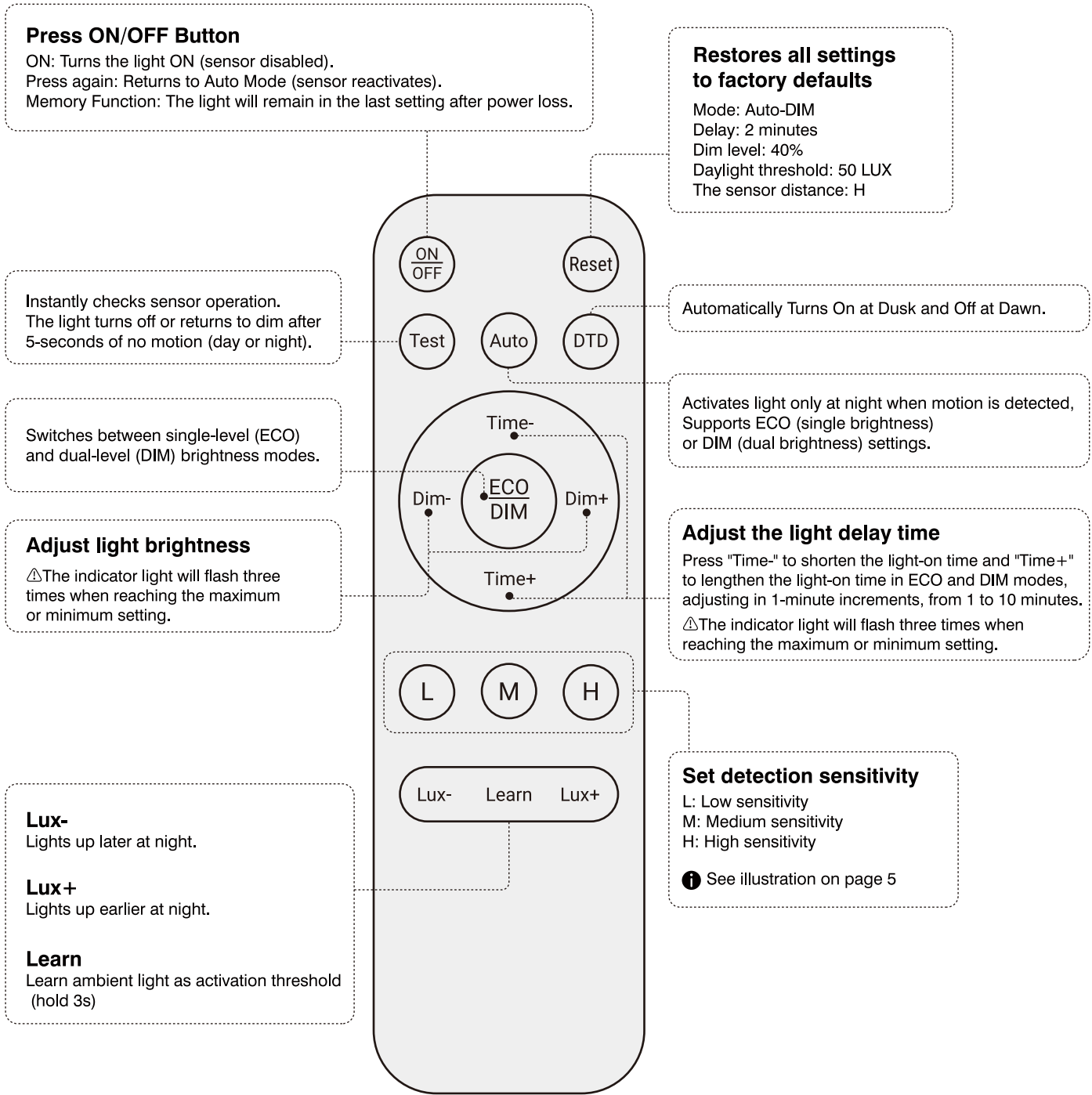
Press the  or  button on the remote. Each press increases or decreases the brightness by 10%.

The fixture will automatically save the current setting.

- In the DIM mode, you adjust the brightness in standby dim light mode to within a range of 20%-50%.
- In ECO, DTD, or ON modes, you adjust the brightness in operational mode to a range of 50%-100%.

Note: Make sure to use dimmable LED bulbs for proper functionality. Brightness settings are stored separately for each mode.


Remote Control Button Overview



Requires 2 × AAA batteries (not included).

⚠️ To prevent accidental ingestion, keep the remote and batteries out of reach of children.

Restore factory settings

Method 1: Press  on the remote control

Method 2: Quickly toggle the power switch of the light fixture 5 times or more.

(OFF→ON→OFF→ON→OFF→ON→OFF→ON→OFF→ON)

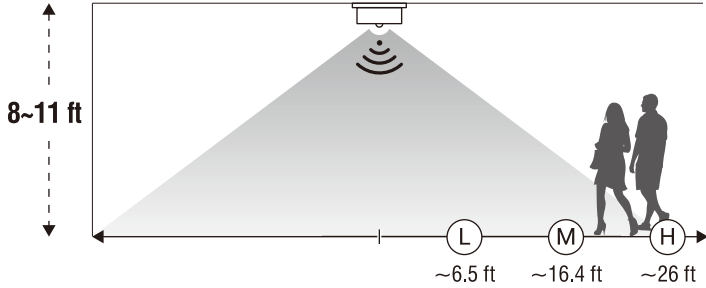
This action will clear all previous settings and restore the light fixture to its factory settings.

Basic Troubleshooting Guide

Symptom	Day / Night	Possible Cause	Solution
The light does not turn on	Day	Light turns off after 5 seconds of initialization during the day	<ol style="list-style-type: none"> 1. Press "Lux+" button to increase the active brightness 2. Cover the sensor to test
	Night	The light switch or circuit breaker is off.	Turn on the wall switch or circuit breaker.
		The light bulb may be burned out.	Test the bulb on a working fixture, or try another bulb to check.
		Loose bulb	Tighten the light bulb.
		Loose or Incorrect Wiring	Check and reconnect the wires properly. Make sure power is off before handling.
Too much light from other sources (e.g. street lamps)	<ol style="list-style-type: none"> 1. Reposition the fixture or reduce surrounding light to avoid interference with the sensor. 2. Use the remote control in ON mode to manually control the switch 3. Press "Lux+" button to increase the active brightness 		
The light stays on all the time.	Day	The Ceiling Light is installed in the shade.	<ol style="list-style-type: none"> 1. Press the "Learn" button to recalibrate the ambient light threshold 2. Press "Lux-" button to lower the active brightness 3. Use the remote control in ON mode to manually control the switch
	Night	<ol style="list-style-type: none"> 1. Still in OVERRIDE MODE. 2. Still in TEST MODE. 3. Still in ON MODE. 	<ol style="list-style-type: none"> 1. Turn the light off and then on within 2 seconds 2. Switch to ECO/DIM mode via remote control 3. Press the ON/OFF button on the remote to exit ON Mode.
		False triggering caused by heat sources (e.g. heater, dryer vent, heated pool)	<ol style="list-style-type: none"> 1. Use the L/M/H setting on the remote to adjust sensitivity 2. Avoid heat sources during installation or manually control with switches.
		In Dim mode, the dimming of a few LED bulbs is not obvious. 40% brightness looks similar to 100% brightness.	<ol style="list-style-type: none"> 1. Replace with other brands of dimmable LED bulbs 2. Press the "Dim-" button on the remote control to adjust the standby brightness in DIM mode, select the appropriate dim light brightness, and release the button.
The bulb is flickering	Night	<ol style="list-style-type: none"> 1. Circuit issue or loose bulb. 2. Poor dimming performance, excessive bulb wattage, or incompatible bulbs. 	<ol style="list-style-type: none"> 1. Check circuit connections and ensure the bulb is properly screwed in. 2. Use dimmable LED bulbs (up to 10 watts) or well-known brand incandescent bulbs (up to 30 watts). Or adjust the brightness to a level that does not cause flickering.
The light turns on unexpectedly.	Night	Street cars or sidewalk traffic trigger the motion sensor.	Use the L/M/H setting on the remote to adjust sensitivity, or switch the light fixture to the DTD mode.

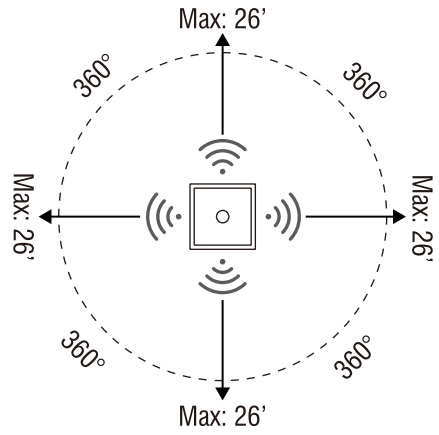
Motion Sensor Specifications

Recommended installation height:
8 to 11 feet.



Note: The detection distance shown is approximate and may vary with installation height and environment.

Detection range
Max. 26 ft × 360°



DESCRIPTIONS	SPECIFICATIONS
Input power	120 VAC±10%, 60Hz
Max Wattage:	2 × 30W (60W total) (Dimmable LED/Fluorescent)
Motion Detection	360° (ceiling) / 120° (wall)
Delay Time	1 to 10 minutes (adjustable by remote; default 2 minutes)
Sensitivity	L(30%/~6.5 ft), M (60%/~16.4 ft), H(100%/~26 ft, default)
Light Sensor Trigger	Adjustable: 15 to 300 Lux (default: 50 Lux)
Auto-Off Light Level	Up to 500 Lux
Standby Power	Max 0.5W
Operating Temp	-22°F to 122°F
IP Rating	Wet location(Assembled into lighting)