

## NOTICE

\*Please make sure that you have all parts indicated and they are in good condition before you begin assembly of this item. Refer to part list and hardware list below for guidance.

\*This item should be assembled on a soft surface to prevent scratching the finish during assembly.

\*This item may require periodic tightening.

\*If you are having difficulty, our friendly Customer Care team is always here to help.

## PREPARATION

\* Before beginning assembly of product, make sure all parts are present. Compare parts with part contents list and hardware contents list.

\* If any part is missing or damaged, do not attempt to assemble the product.

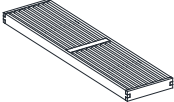
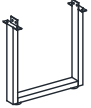



\* Estimated Assembly Time: 10 minutes.

\* Tools Required for Assembly (included): Allen Key

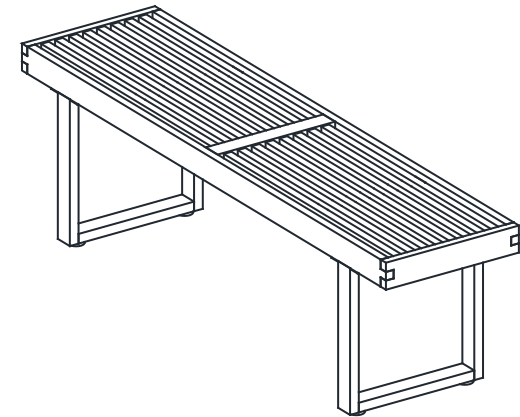
## CARE AND MAINTENANCE

Insert Care and Maintenance here

### Part List and Hardware List

PIECE	DESCRIPTION	PICTURE	QUANTITY
A	Frame seat		1X
B	Frame leg		2X
HW1	Screw: M6 x0.5 x20 mm	 M6x20	8X
HW2	Screw: M6 x0.5 x30 mm	 M6x30	8X
HW3	Allen key	 LG4	1X

Product Dimensions:59.8" W x 15" D x 18.1" H



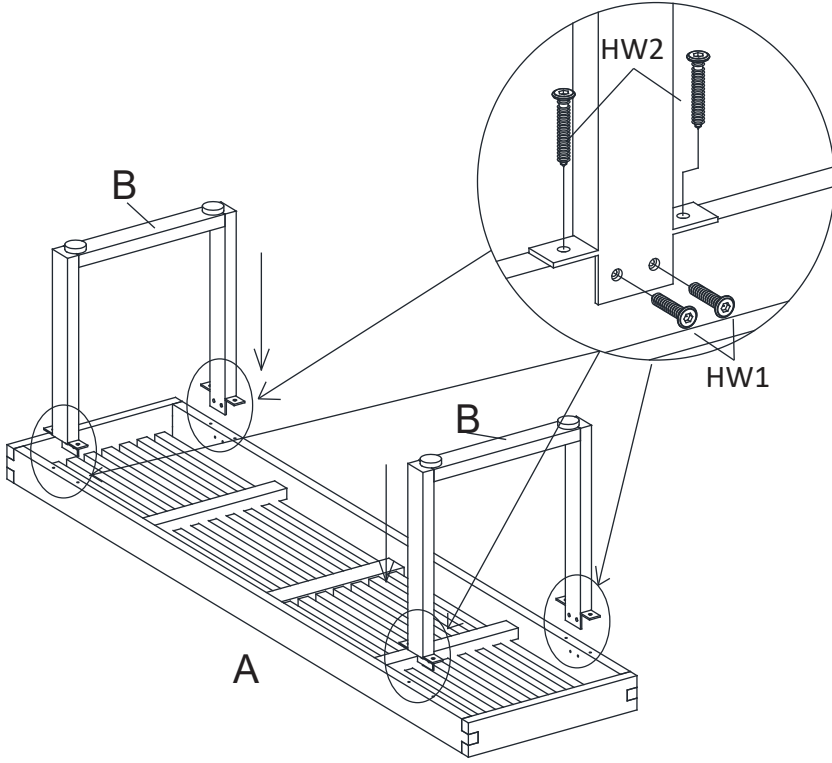
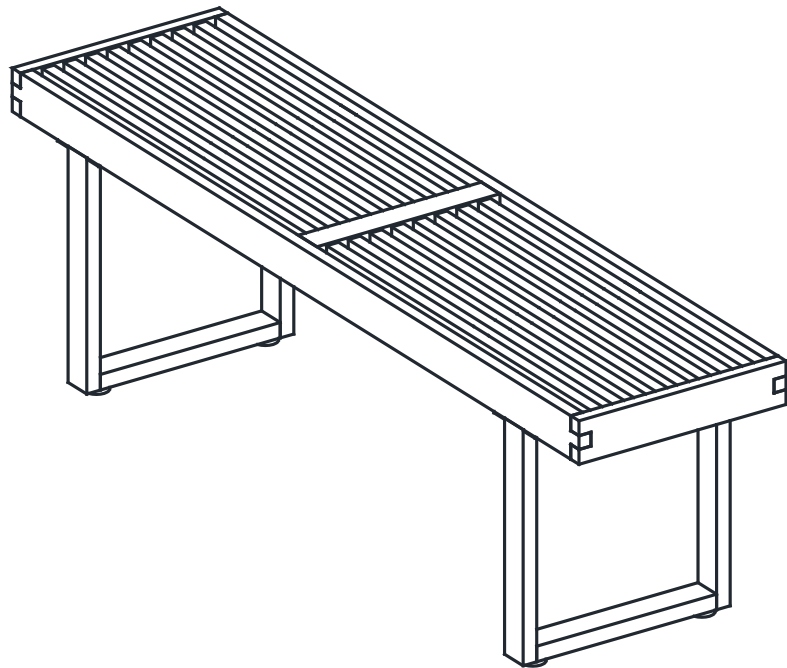
**Weight Capacity :400 Ibs**

**Warning : Do not stand on chair**

**Warning : Do not over torque bolts / screws**

# PREPARATION

- \*Before beginning assembly of product, make sure all parts are present. Compare parts with package contents list and hardware contents list.
- \*If any part is missing or damaged, do not attempt to assemble the product.
- \* Estimated Assembly Time : 10 minutes.
- \* Tools Required for Assembly (included): Allen Key
- \* If you are having difficulty, our friendly Customer care team is always here to help.

<p><b>1</b></p> 	<p><b>2</b></p> 
<p>Step 1</p> <p>Attach Frame Legs (B) to Frame seat (A) Use Screw (HW1), (HW2) tighten with allen key (HW3).</p>	<p>Step 2</p> <p>Caution: This Bench chair can only be used on a flat, level surface</p>