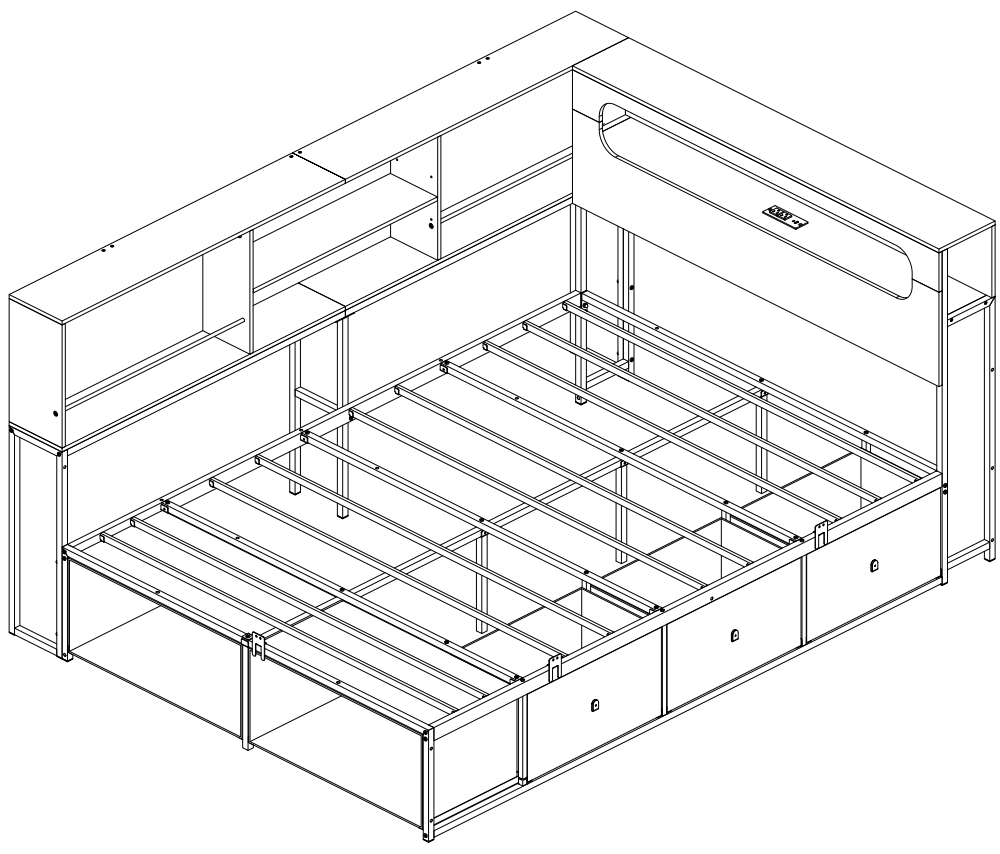
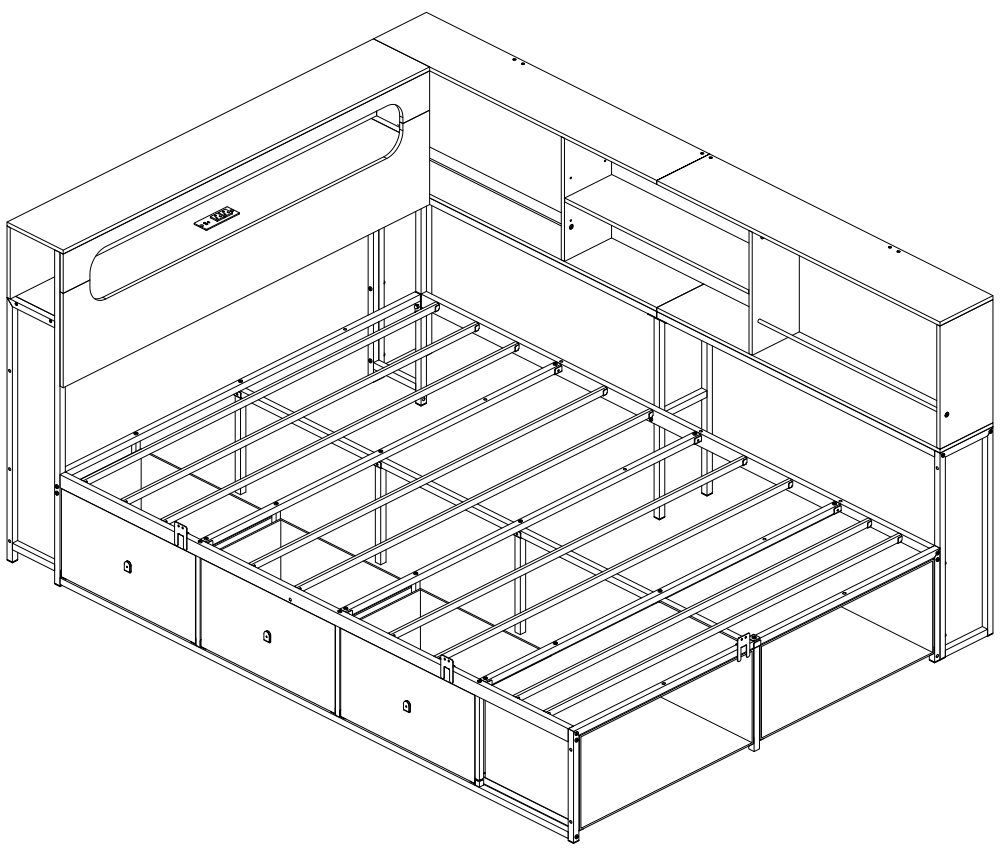


Installation Option I



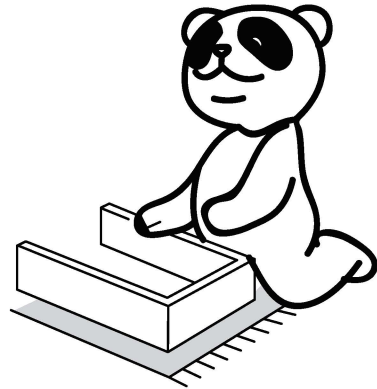
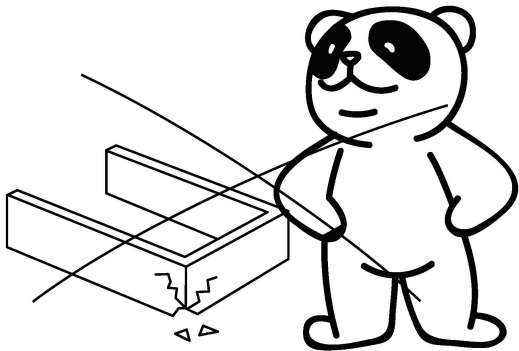
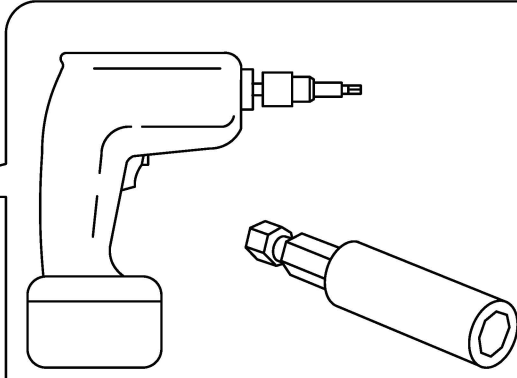
Installation Option II



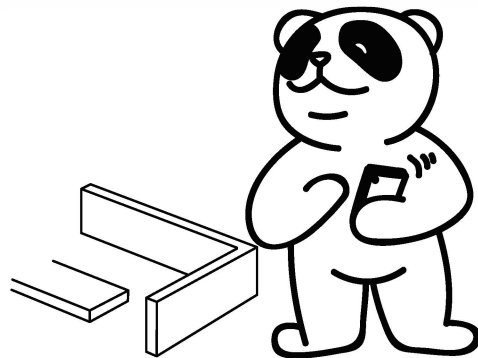
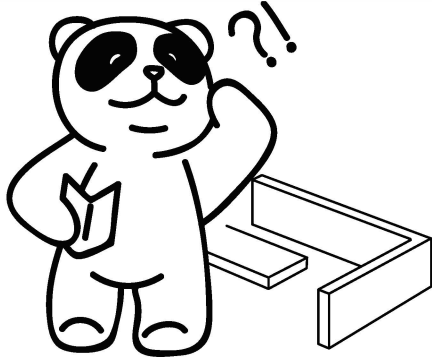
DJ504566



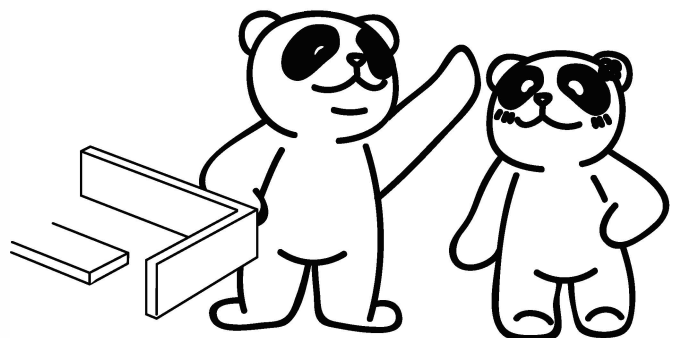
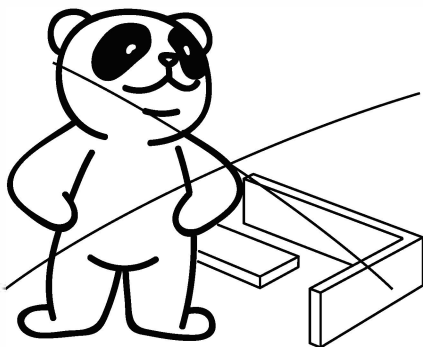
Version: 1.1



Violent installation is prohibited

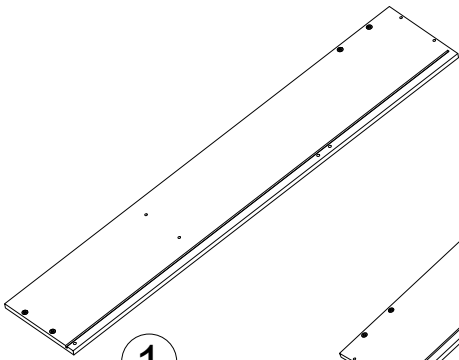


Please call if you need help

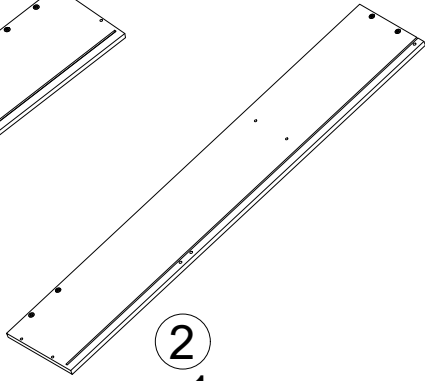


Multi-person cooperation is recommended

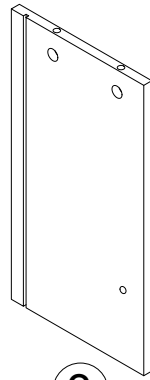
Assembly Instruction



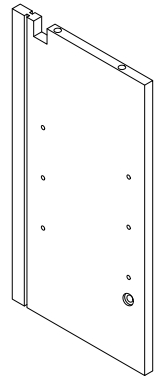
①
x1



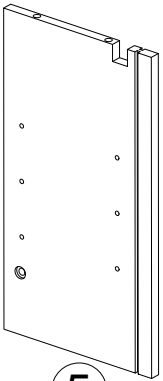
②
x1



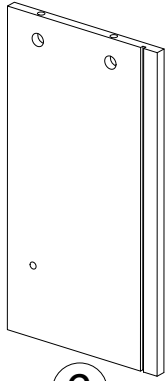
③
x1



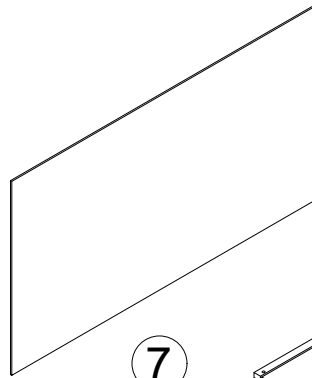
④
x1



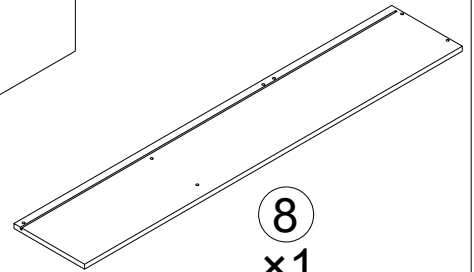
⑤
x1



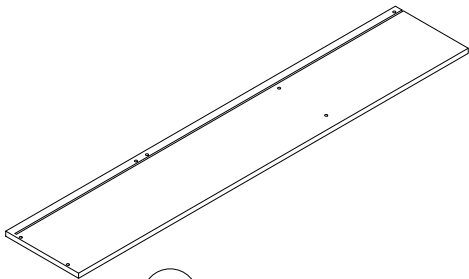
⑥
x1



⑦
x3



⑧
x1



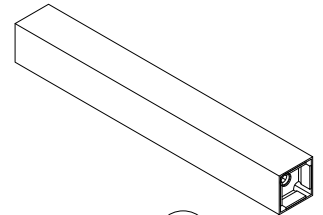
⑨
x1



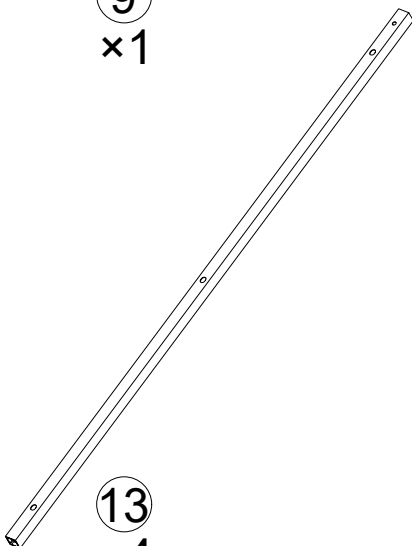
⑩
x3



⑪
x2



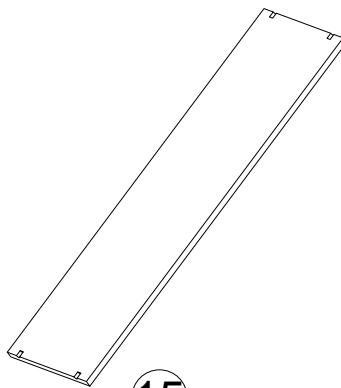
⑫
x1



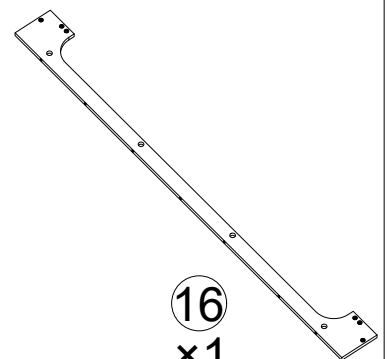
⑬
x4



⑭
x2

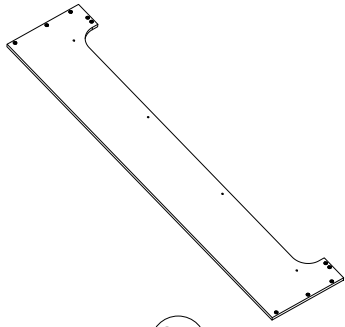


⑮
x1

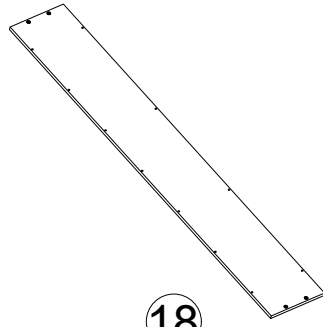


⑯
x1

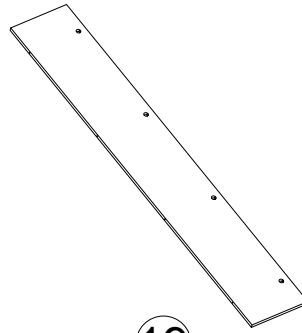
Assembly Instruction



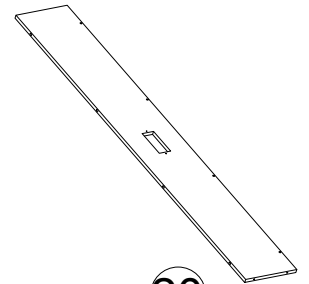
17
x1



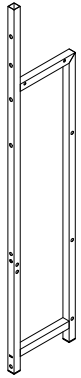
18
x1



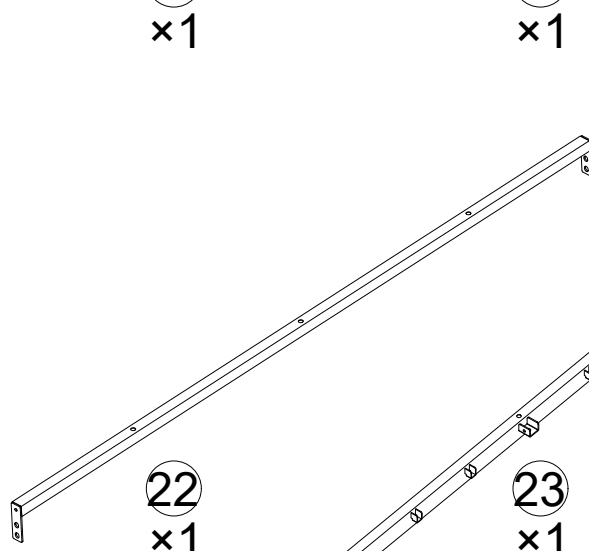
19
x1



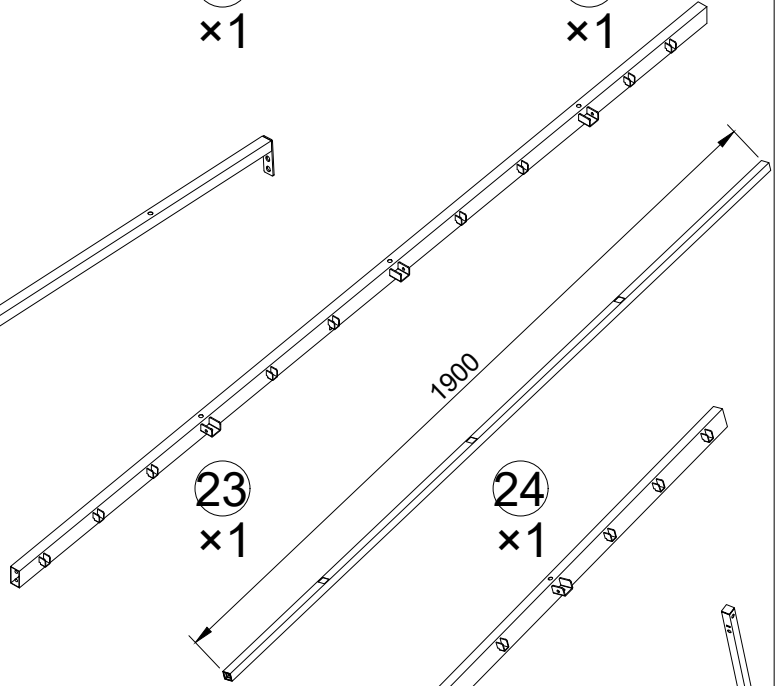
20
x1



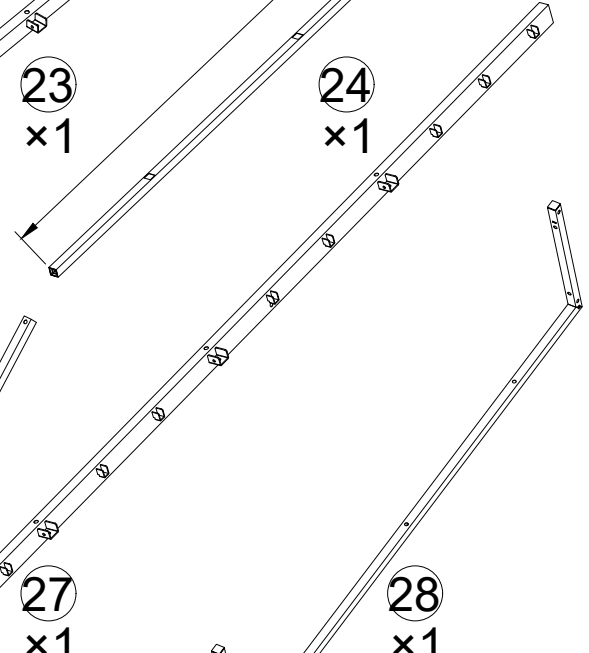
21
x2



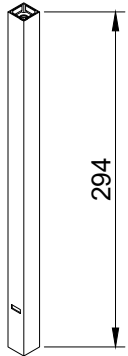
22
x1



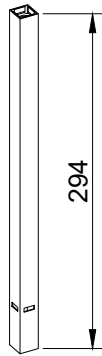
23
x1



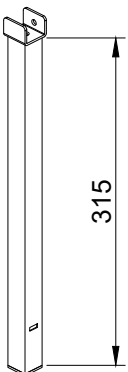
24
x1



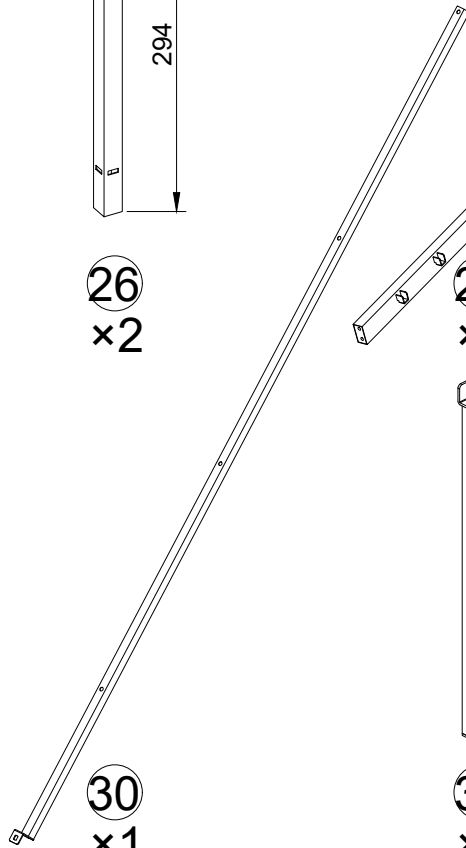
25
x2



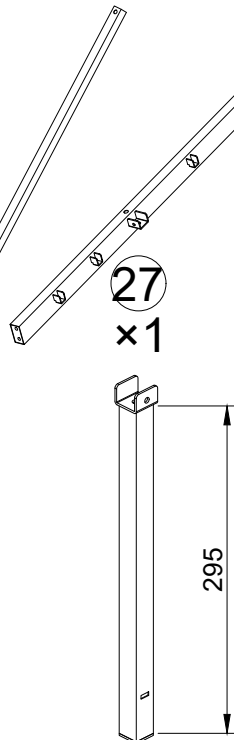
26
x2



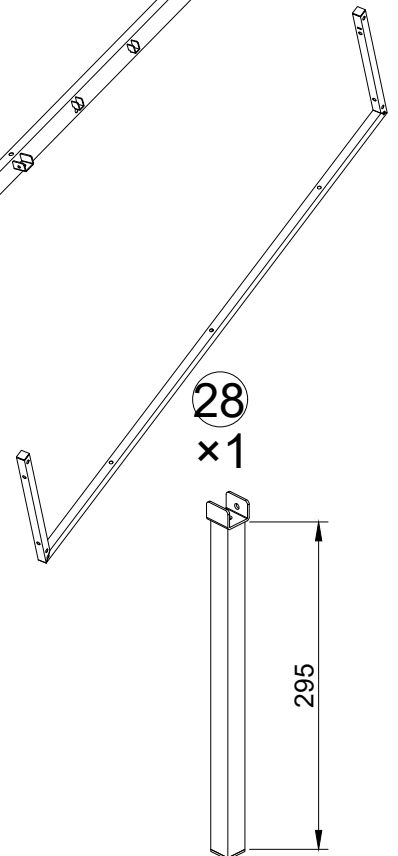
29
x1



30
x1

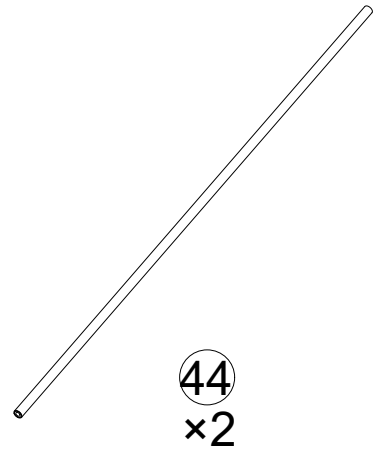
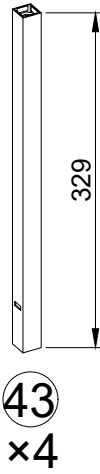
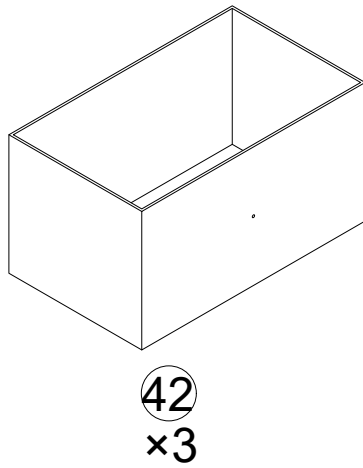
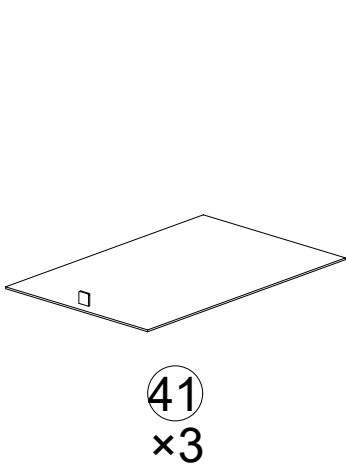
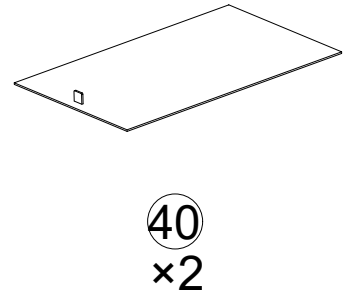
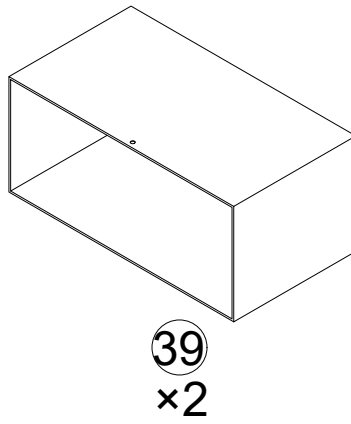
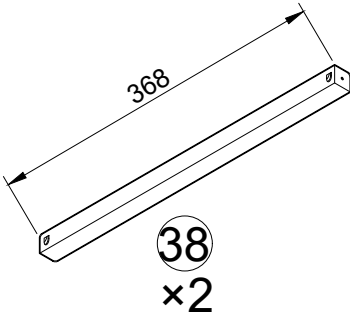
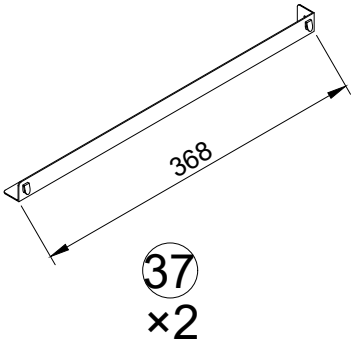
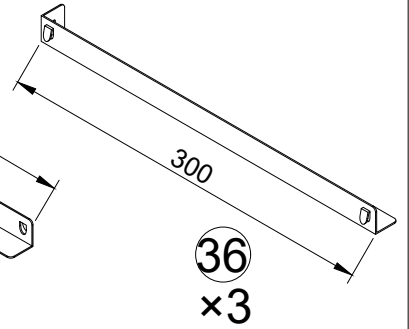
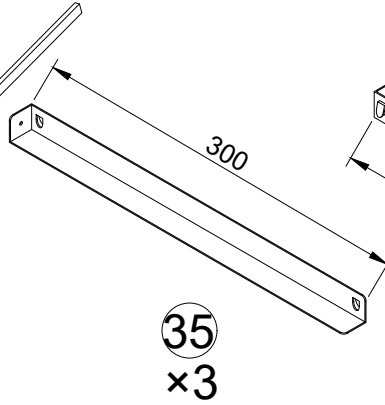
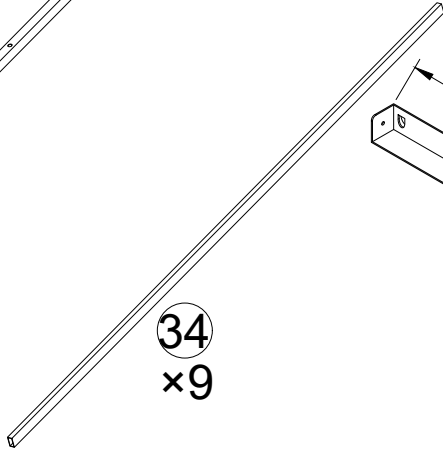
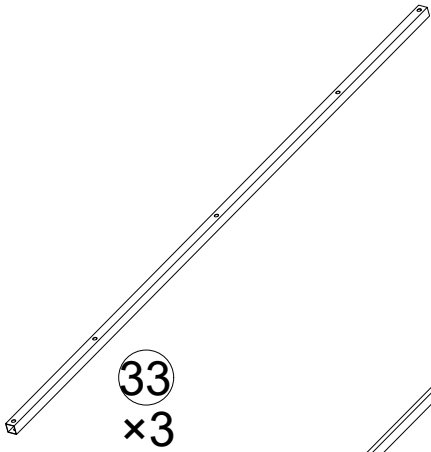


31
x1

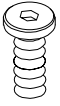


32
x3

Assembly Instruction



Assembly Instruction



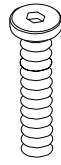
A

M6X10
x26+2



B

M6X28
x46+2



C

M6X35
x6+1



D

M5X38
x24+2



E

Ø6X30
x5



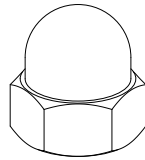
F

Ø15X9
x20+2



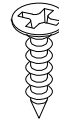
G

M6X35
x20+2



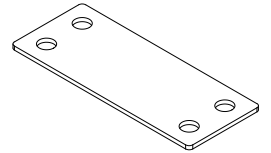
H

M6
x9+1



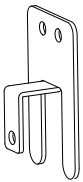
I

ST3.5X12
x2



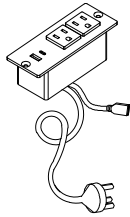
J

100X40
x3



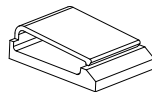
K

x3



L

x1



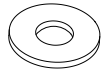
M

x6



N

x1



M4

O

x3



P1

M4X6

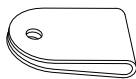
P2



M4

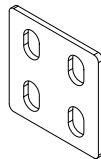
P

x3



Q

x3



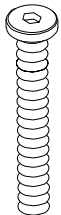
R

40X40
x2



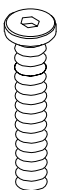
S

M5X48
x4



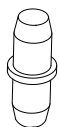
T

M6X60
x10+1



U

M6X45
x15+1



V

Ø5X16
x4

102



M10



M3



M4

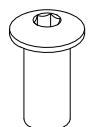


W



X

x4

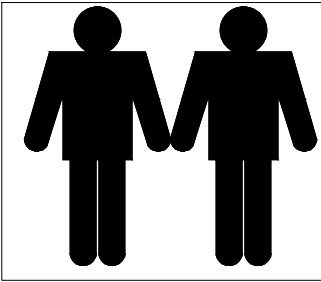


Y

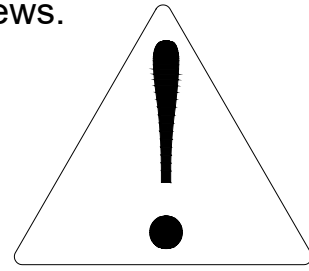
M6X17
x2

Note:

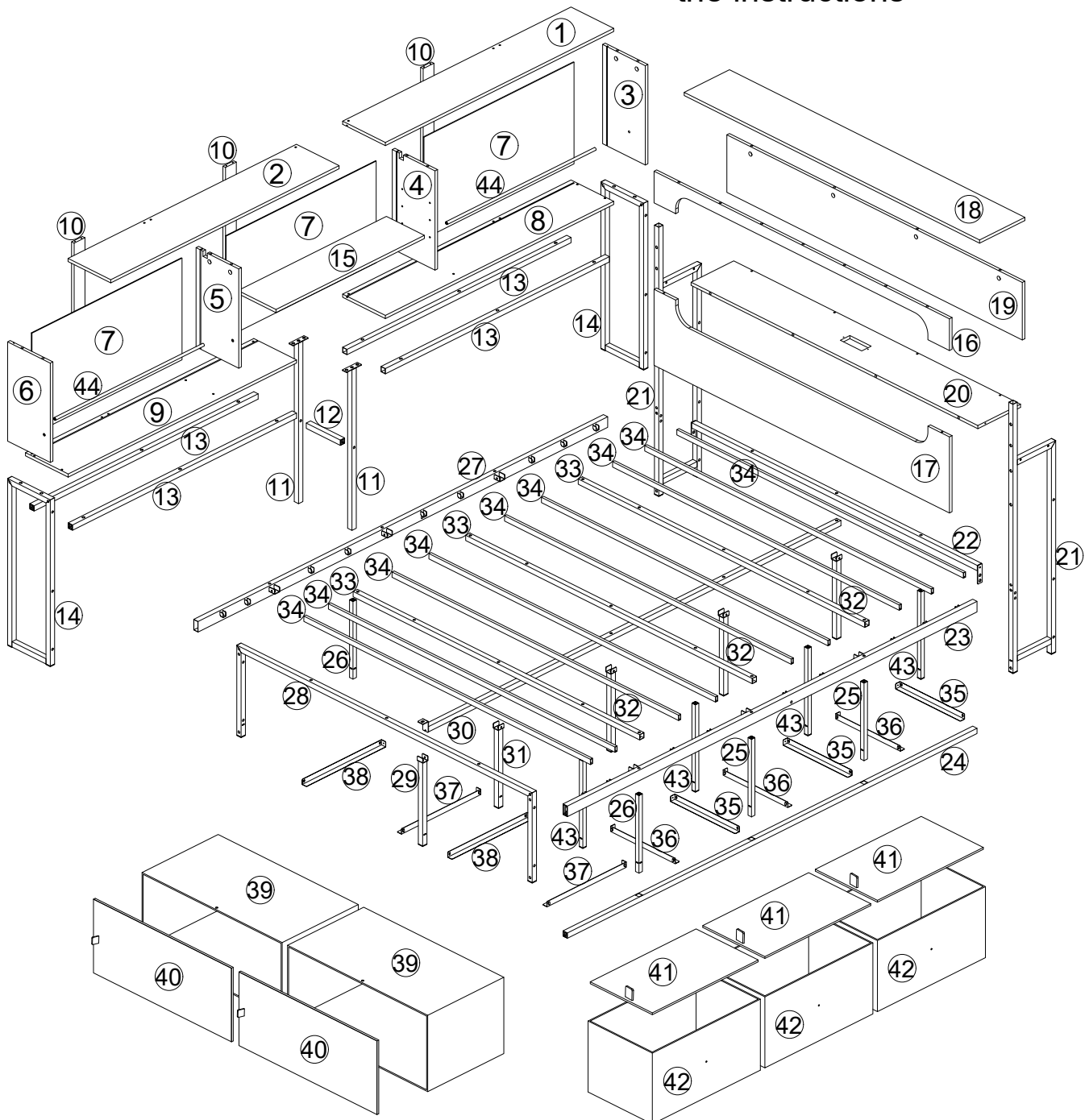
1. Should be assembled on flat ground to keep balance.
2. Before completing the installation, do not tighten the screws.



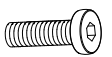
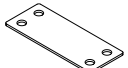
It needs at least two people to install.

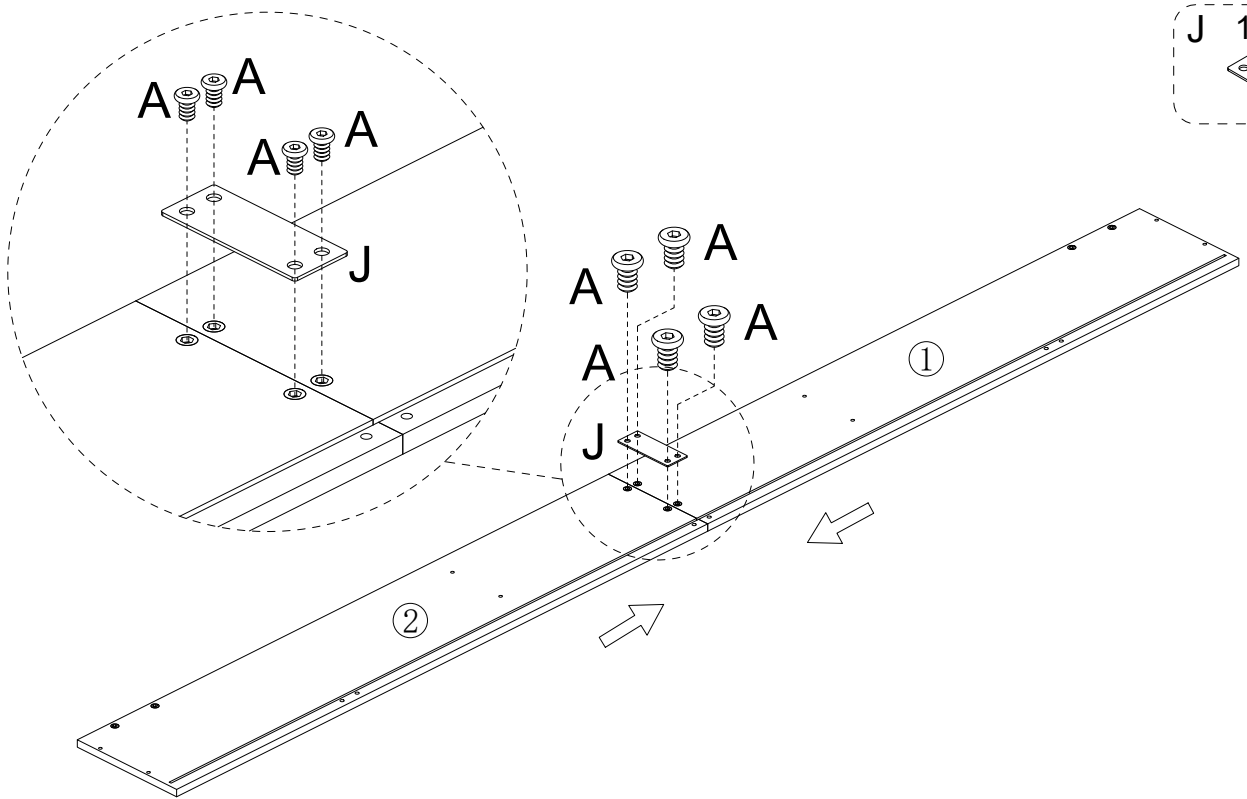


Before starting the assembly, you must read the whole manual and follow the instructions

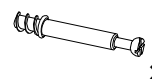


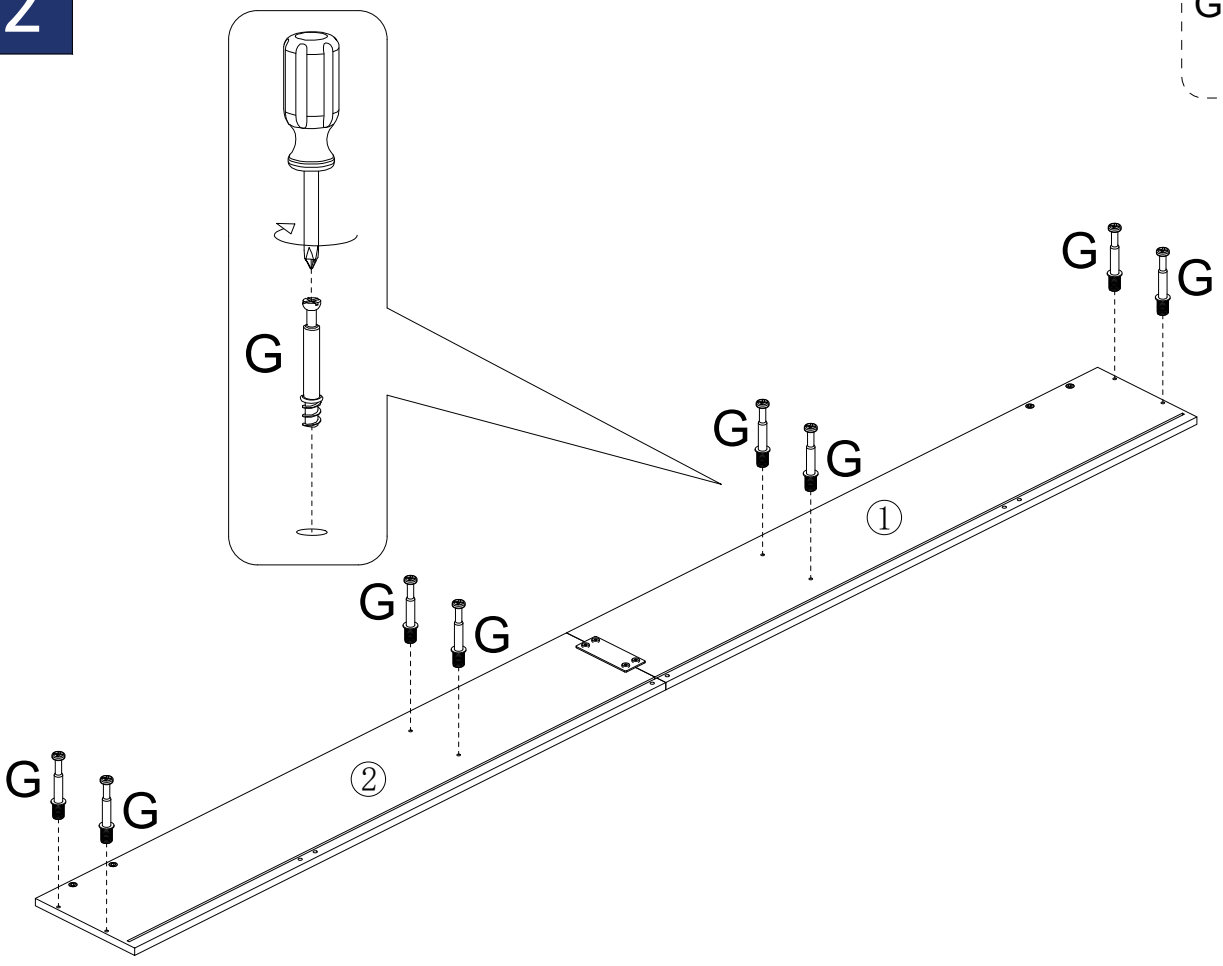
1

- A M6X10
 x4
- J 100X40
 x1

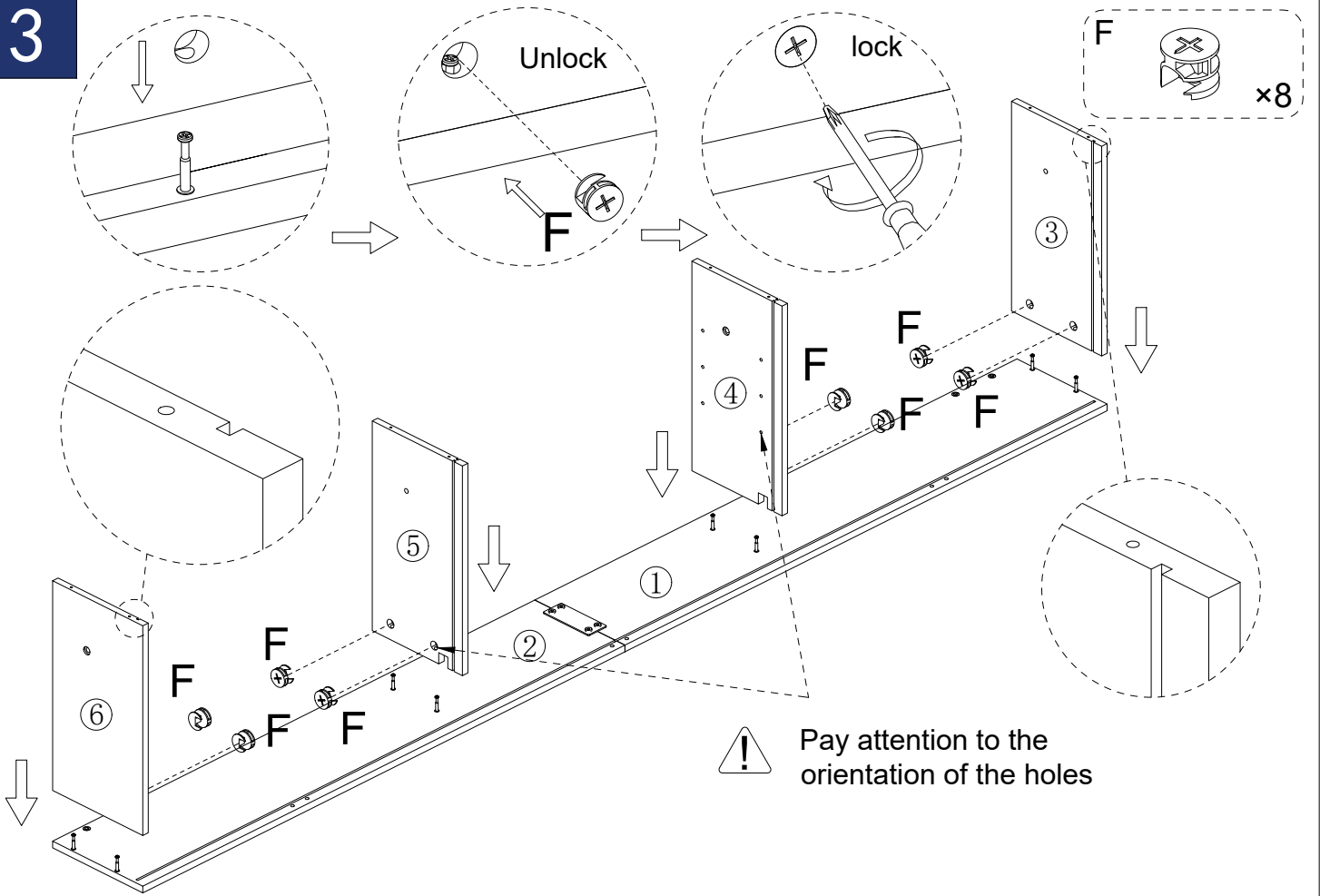


2

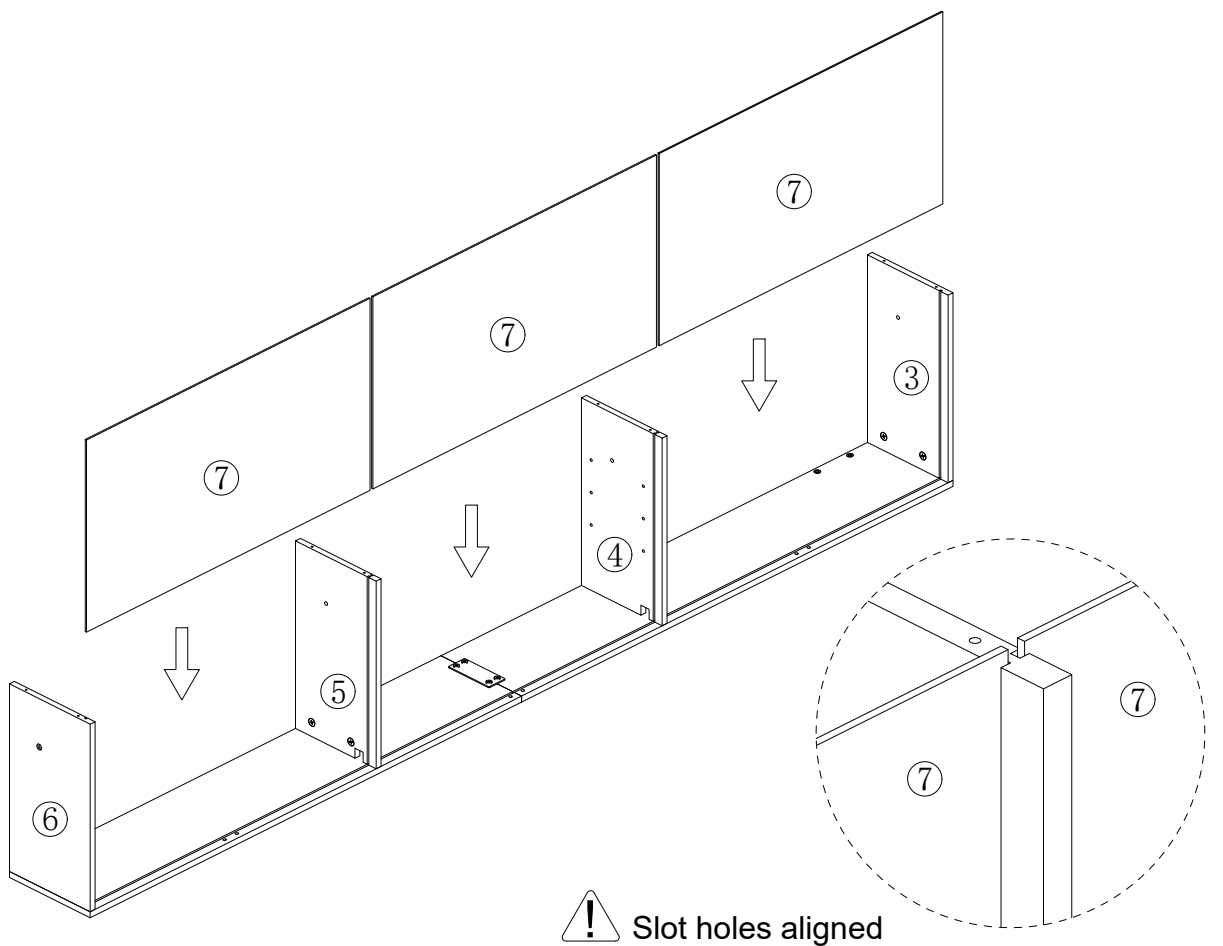
- G  x8



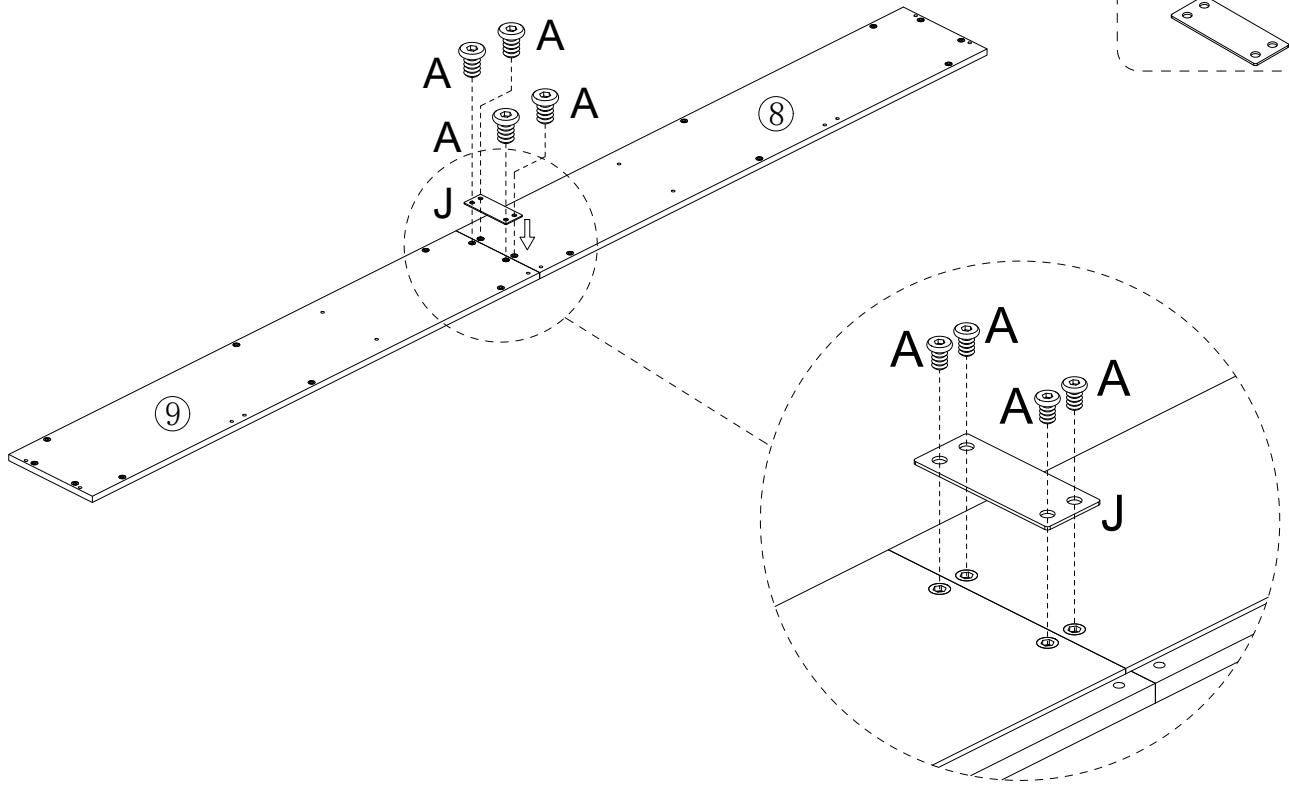
3



4



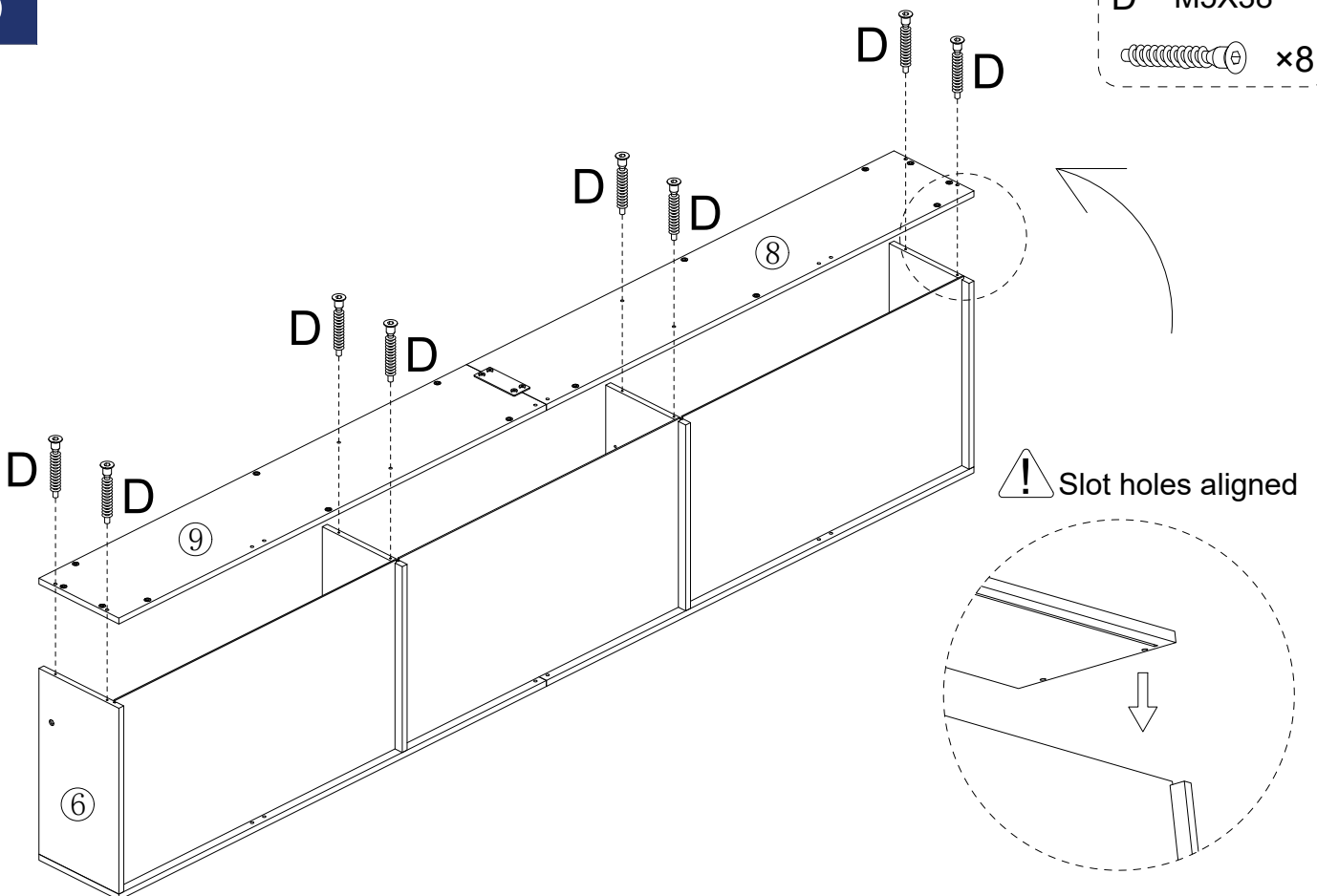
5



A M6X10
×4

J 100X40
×1

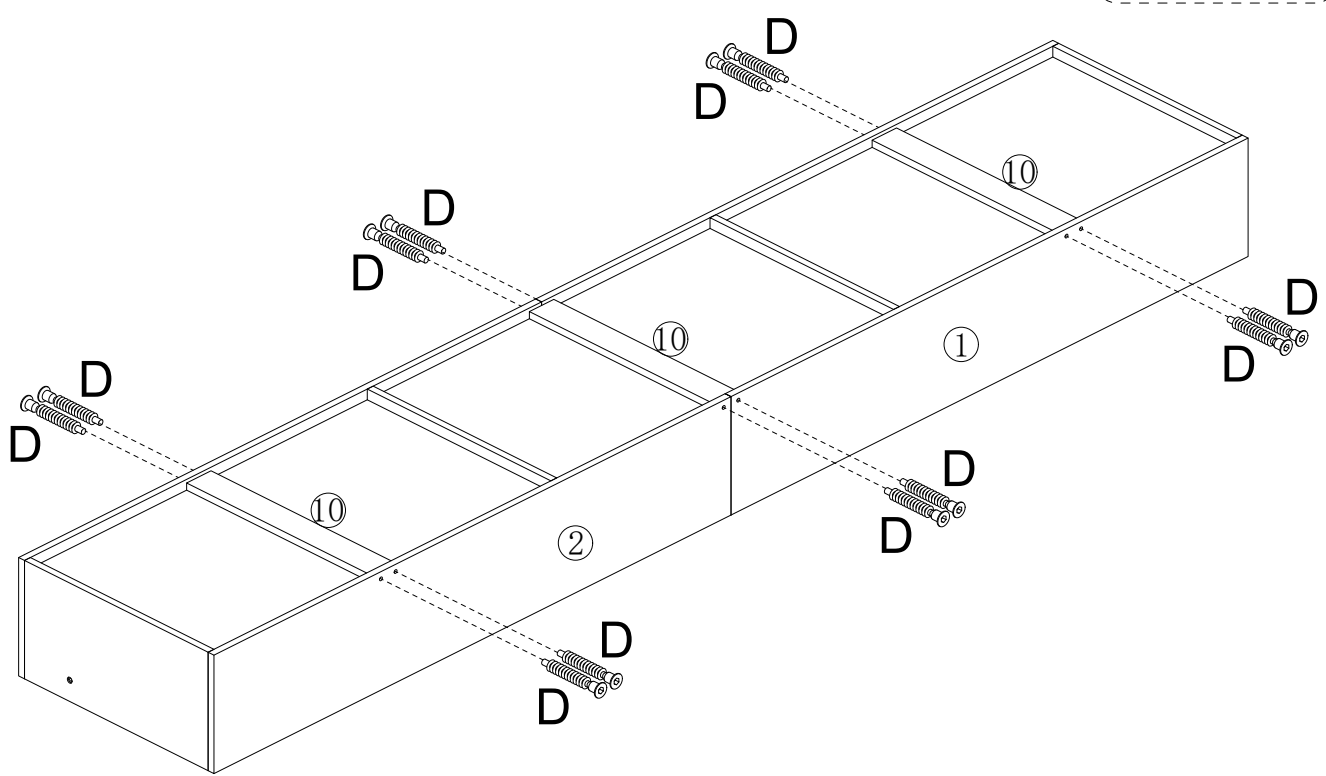
6



D M5X38
×8

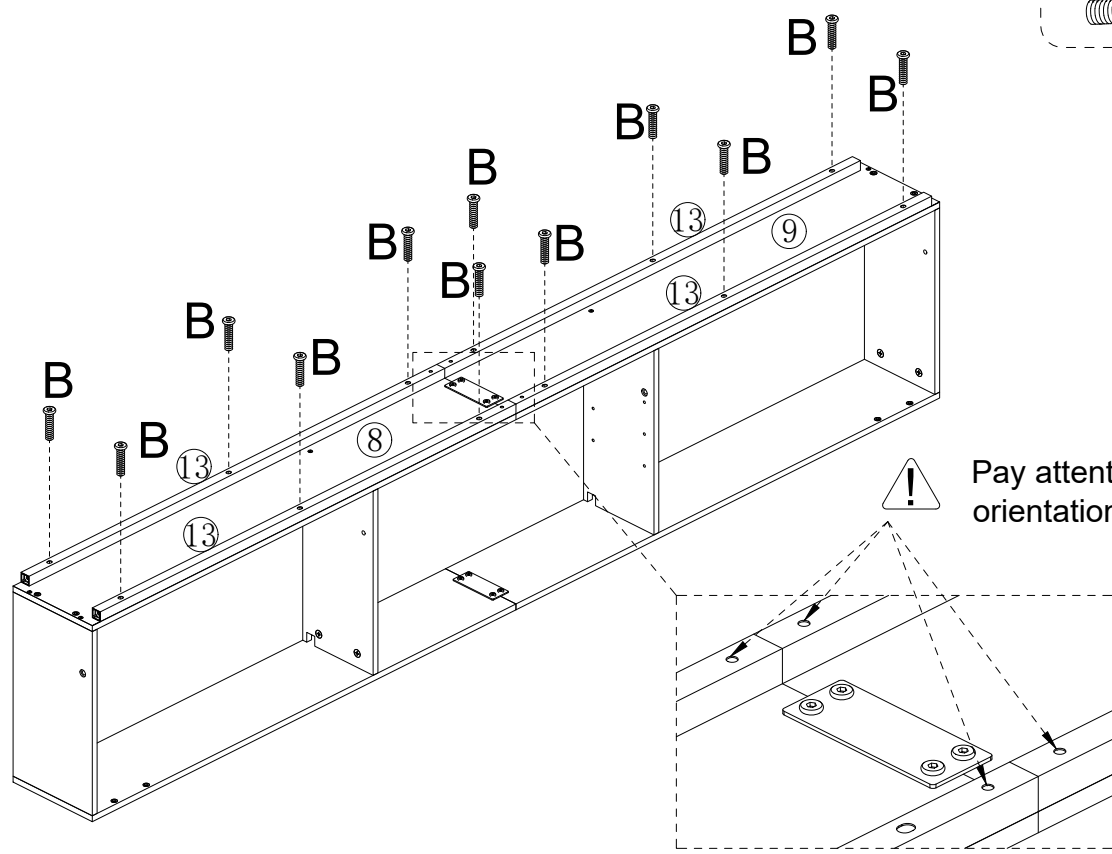
7

D M5X38
×12

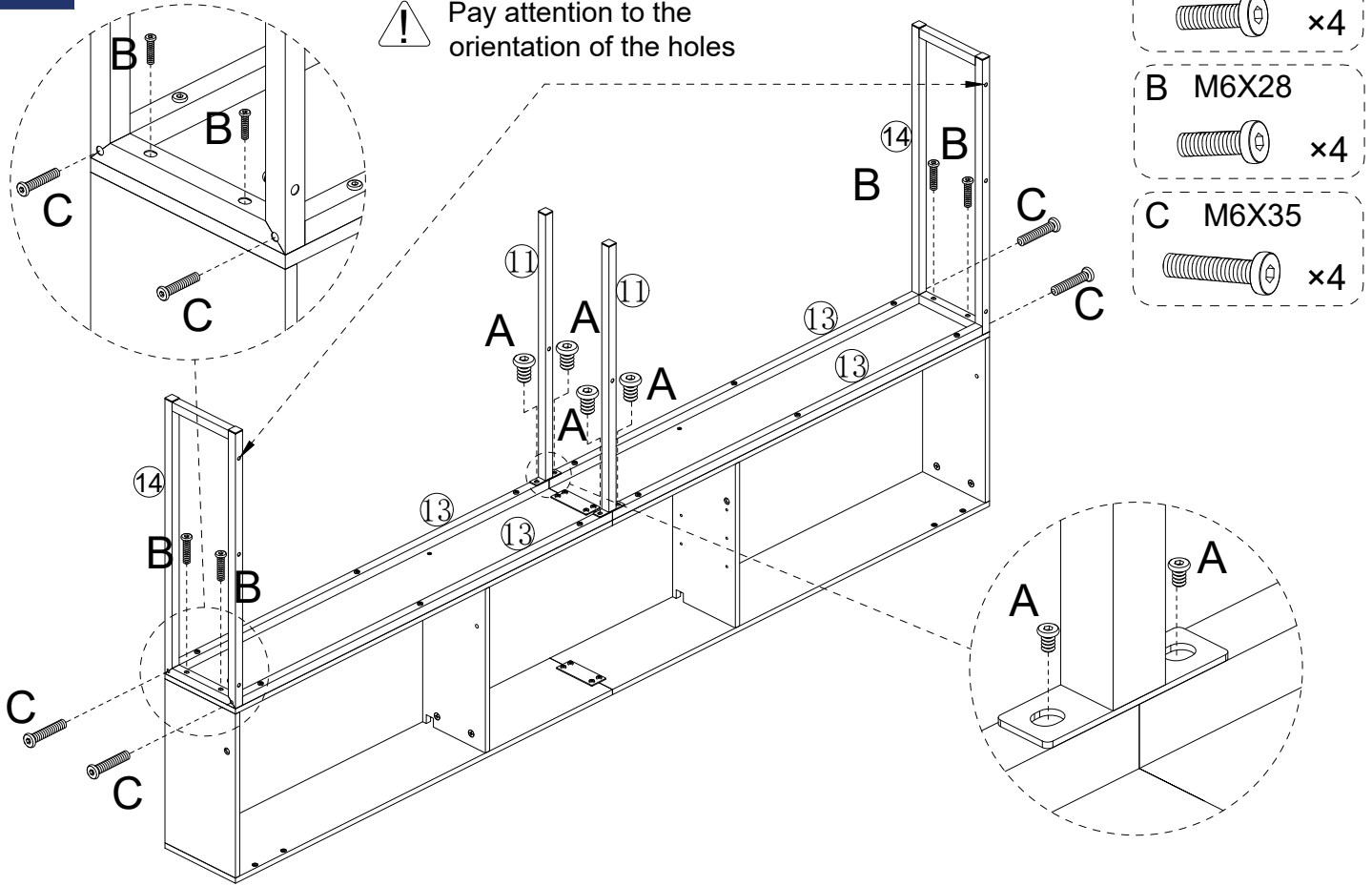


8

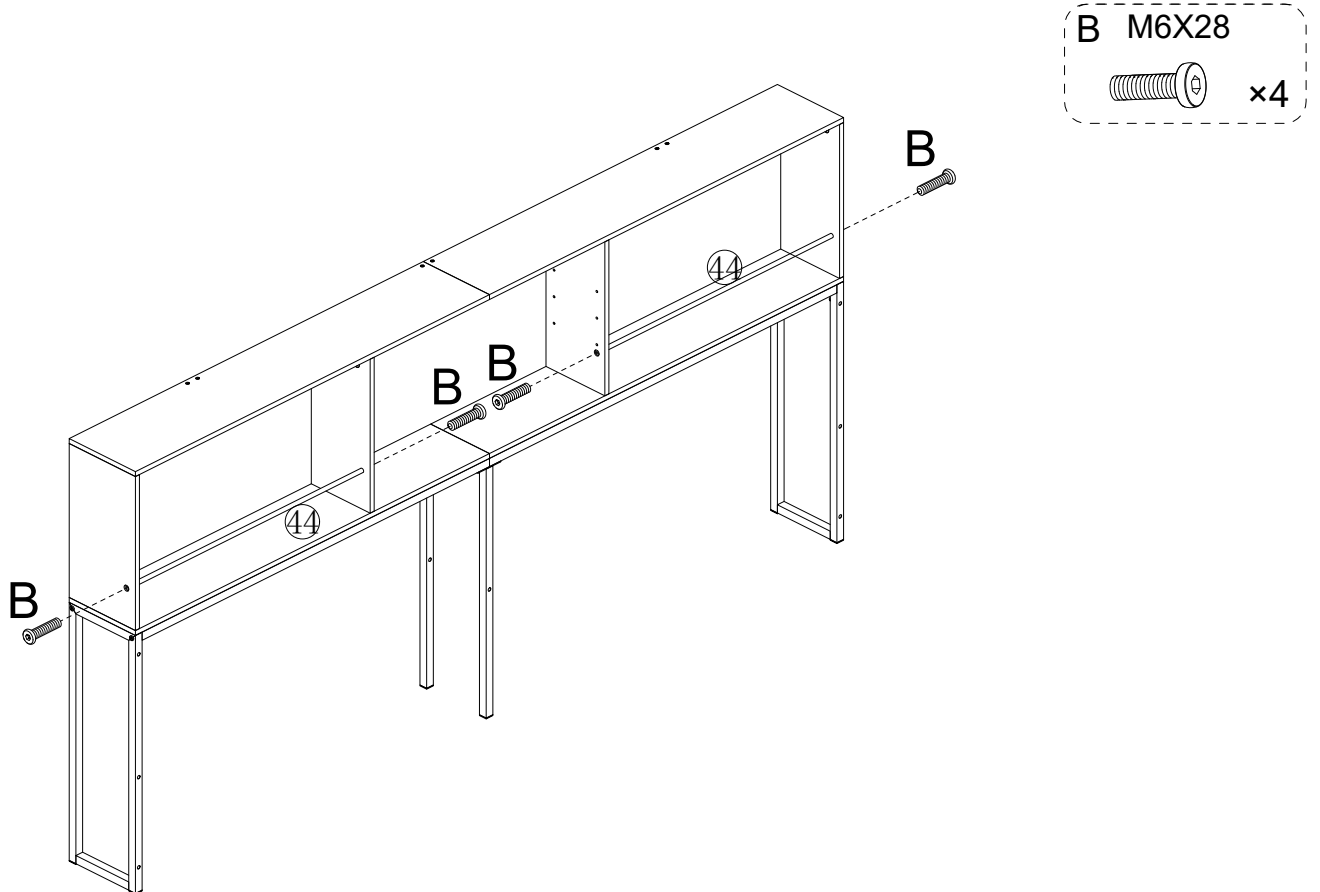
B M6X28
×12



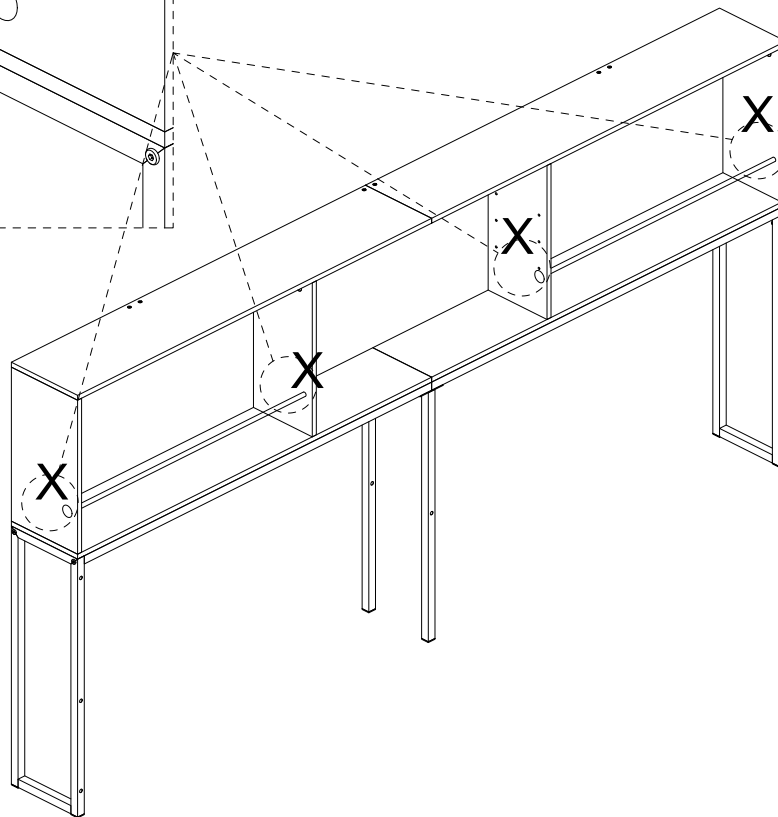
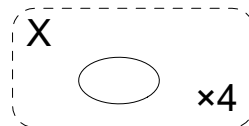
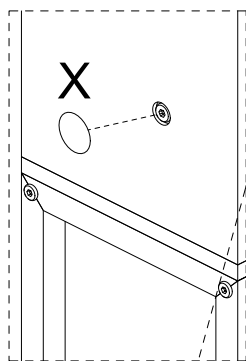
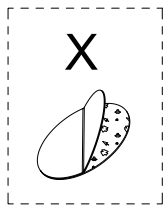
9



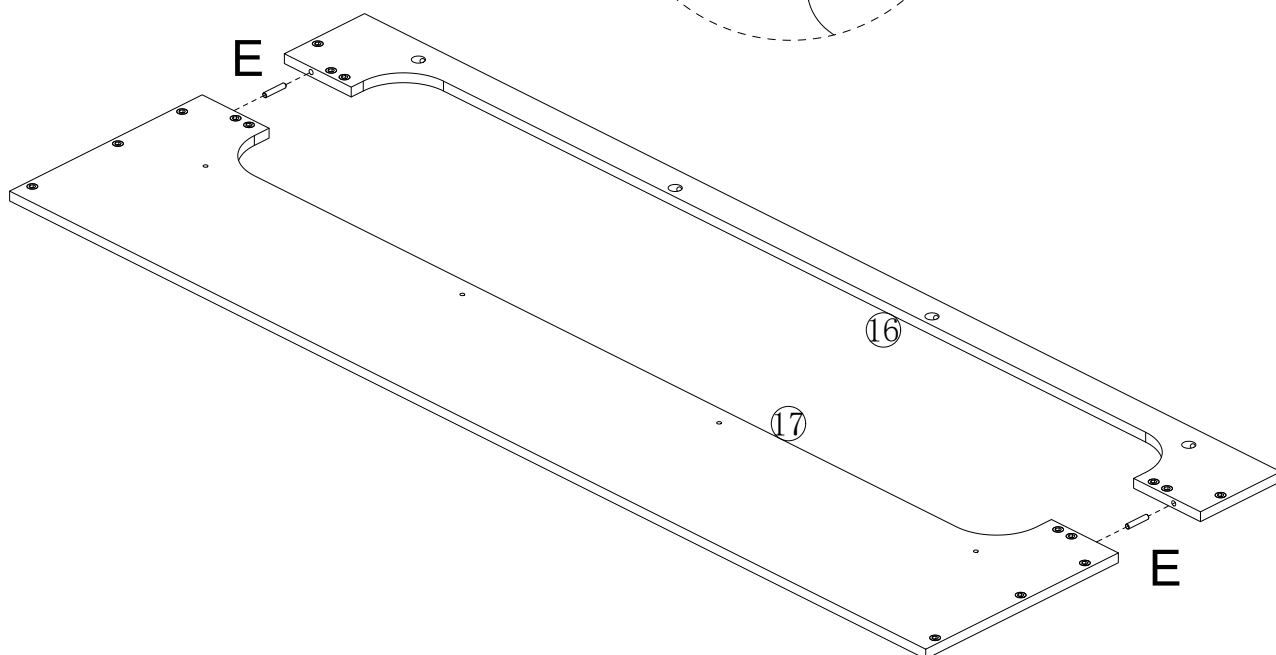
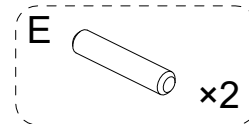
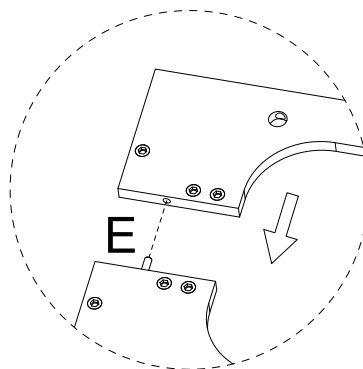
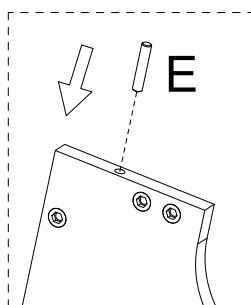
10



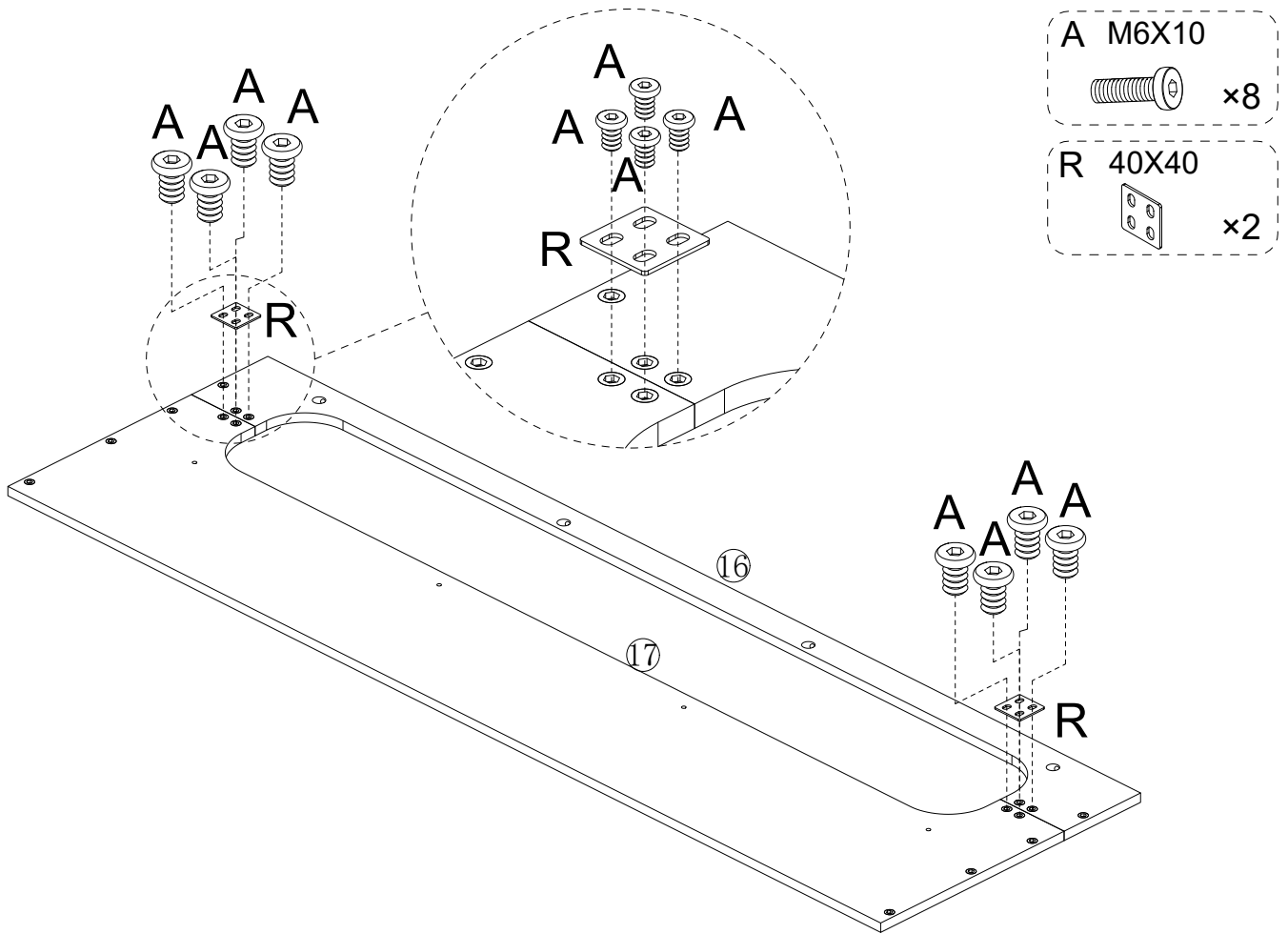
11



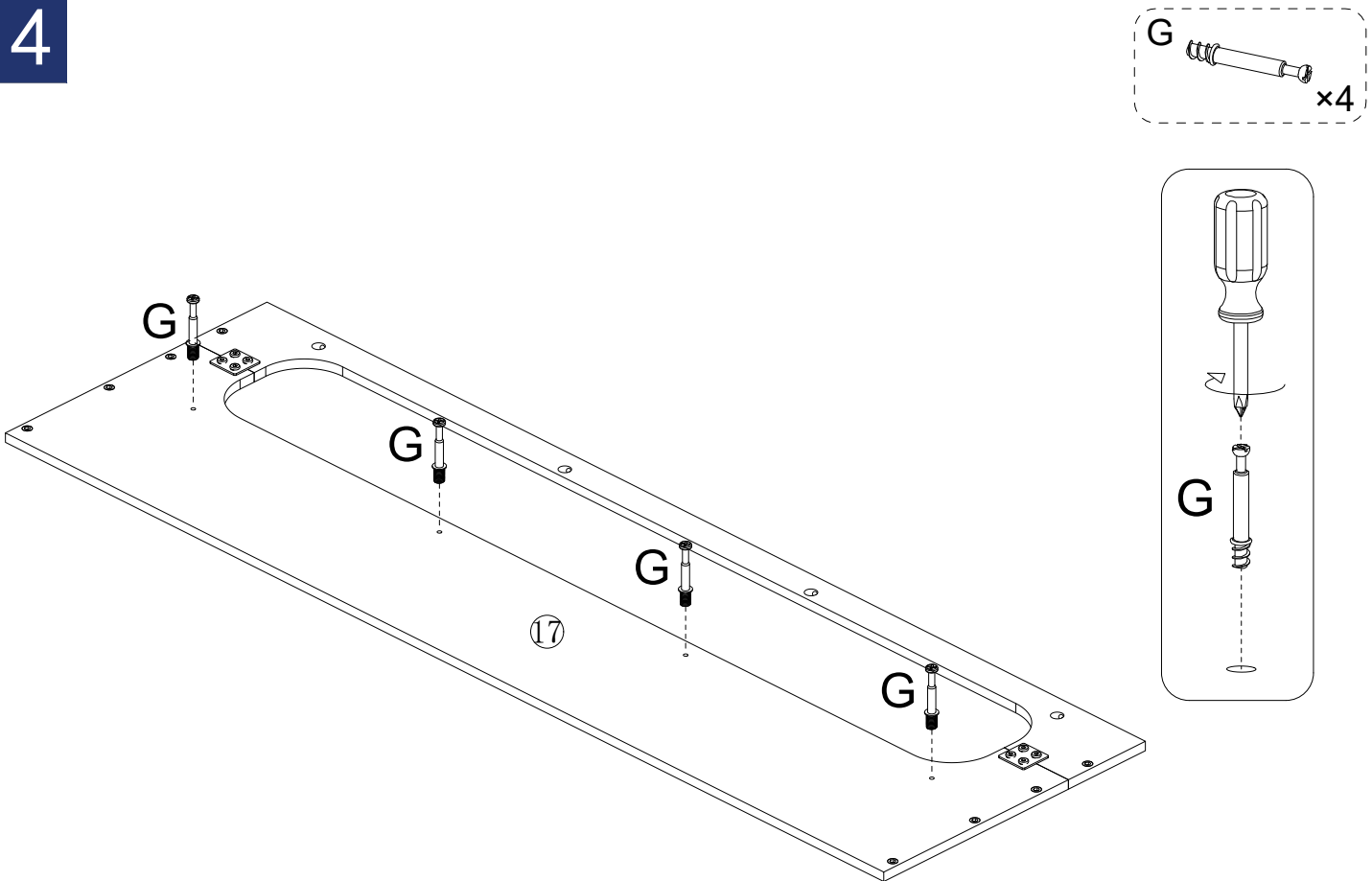
12



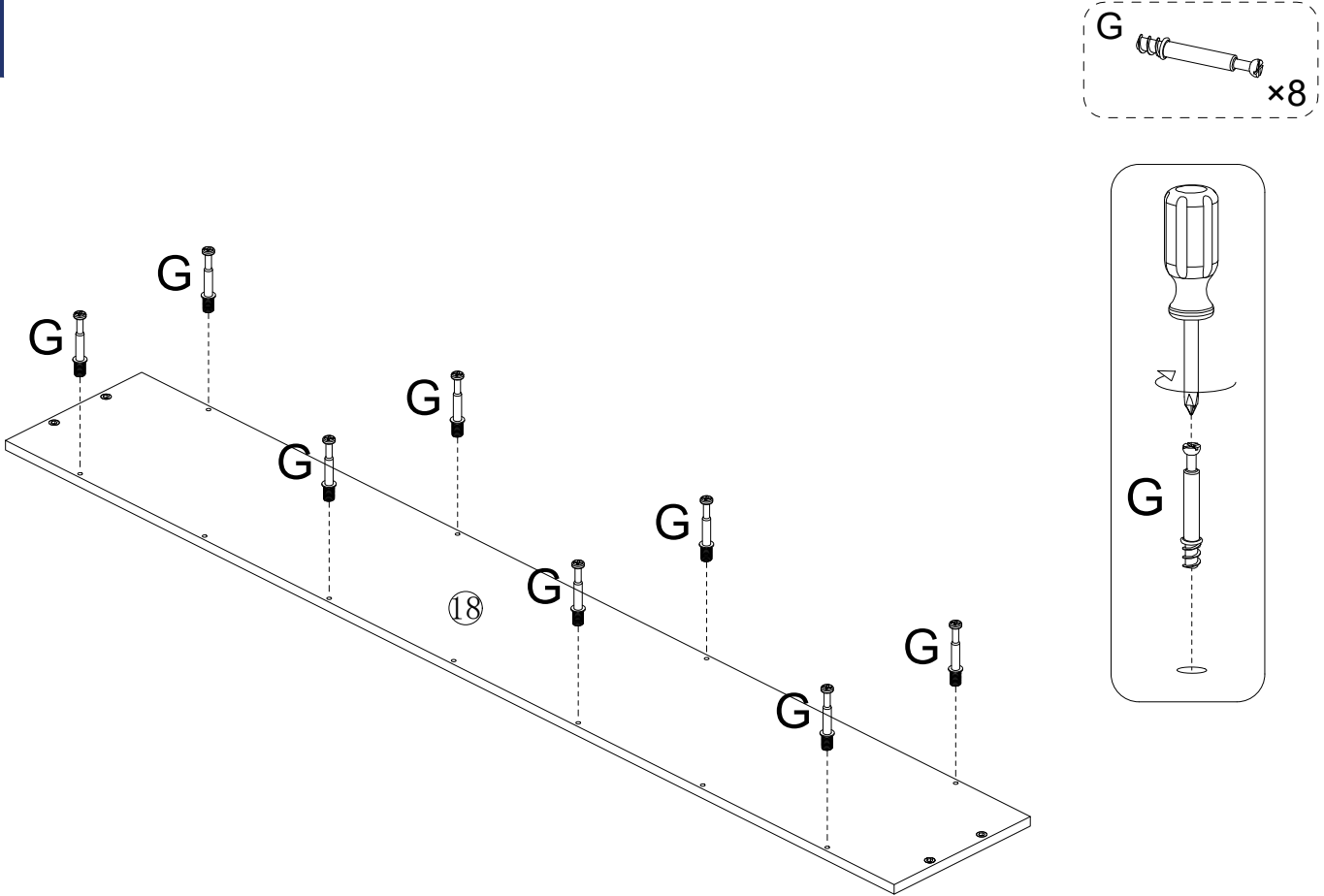
13



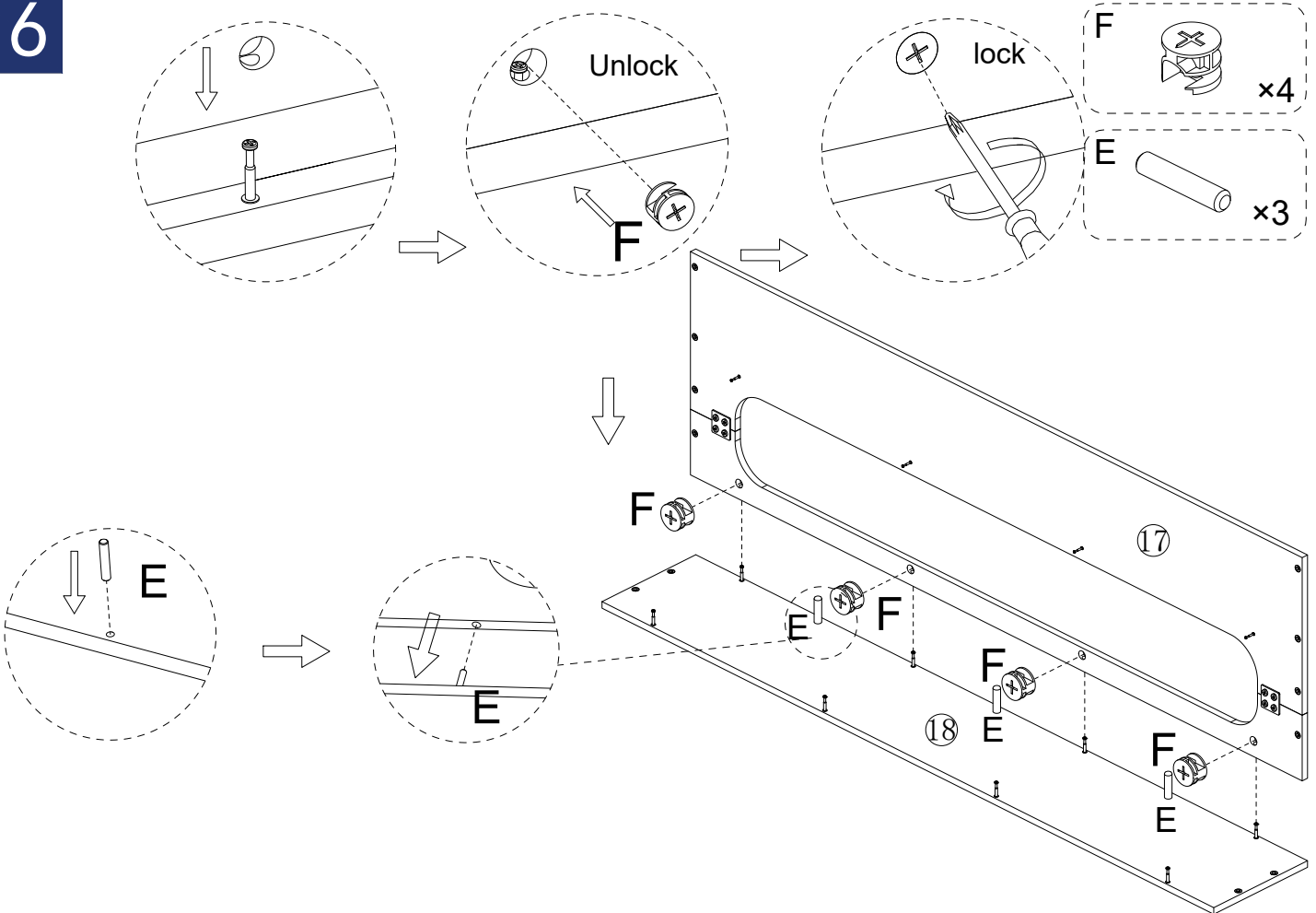
14



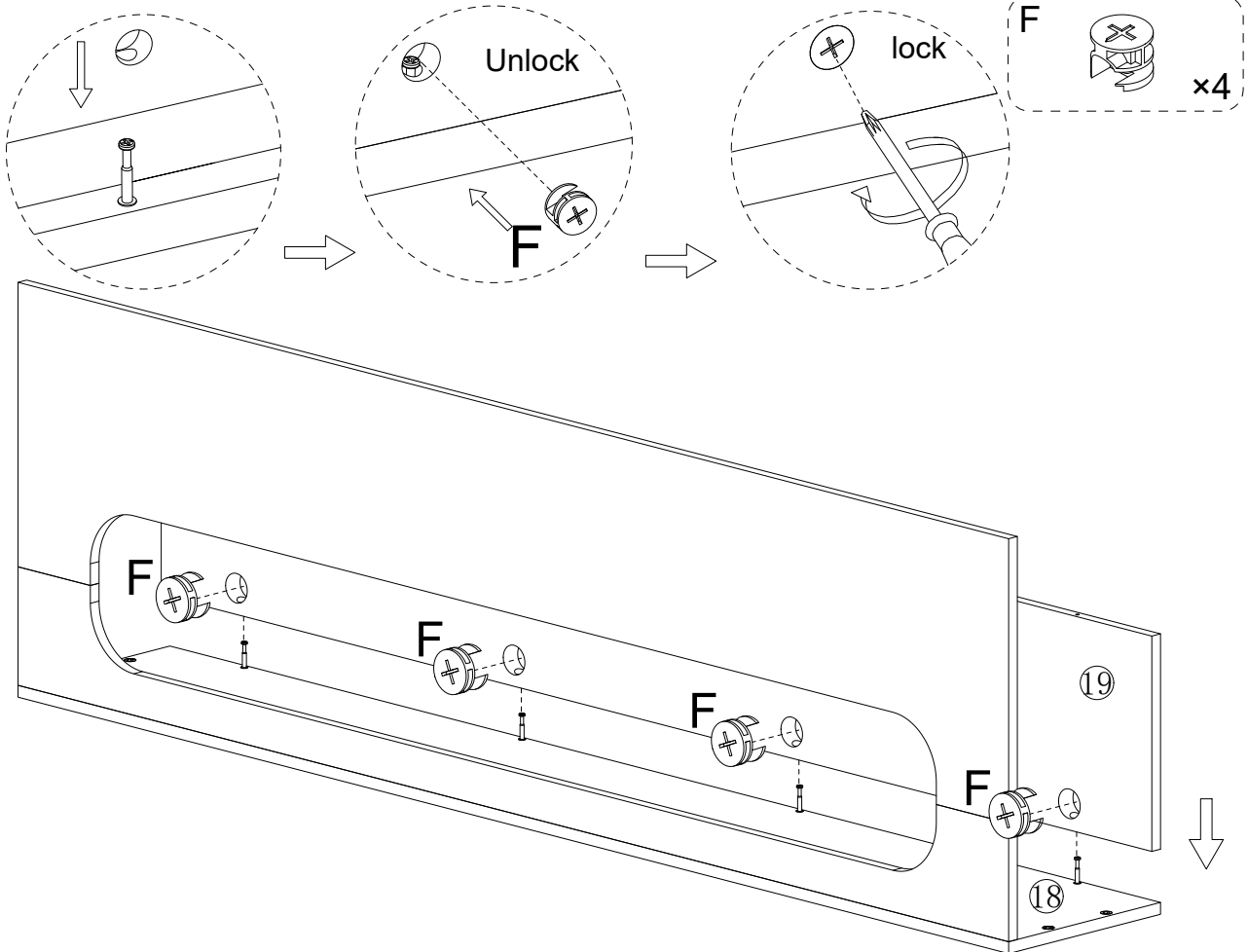
15



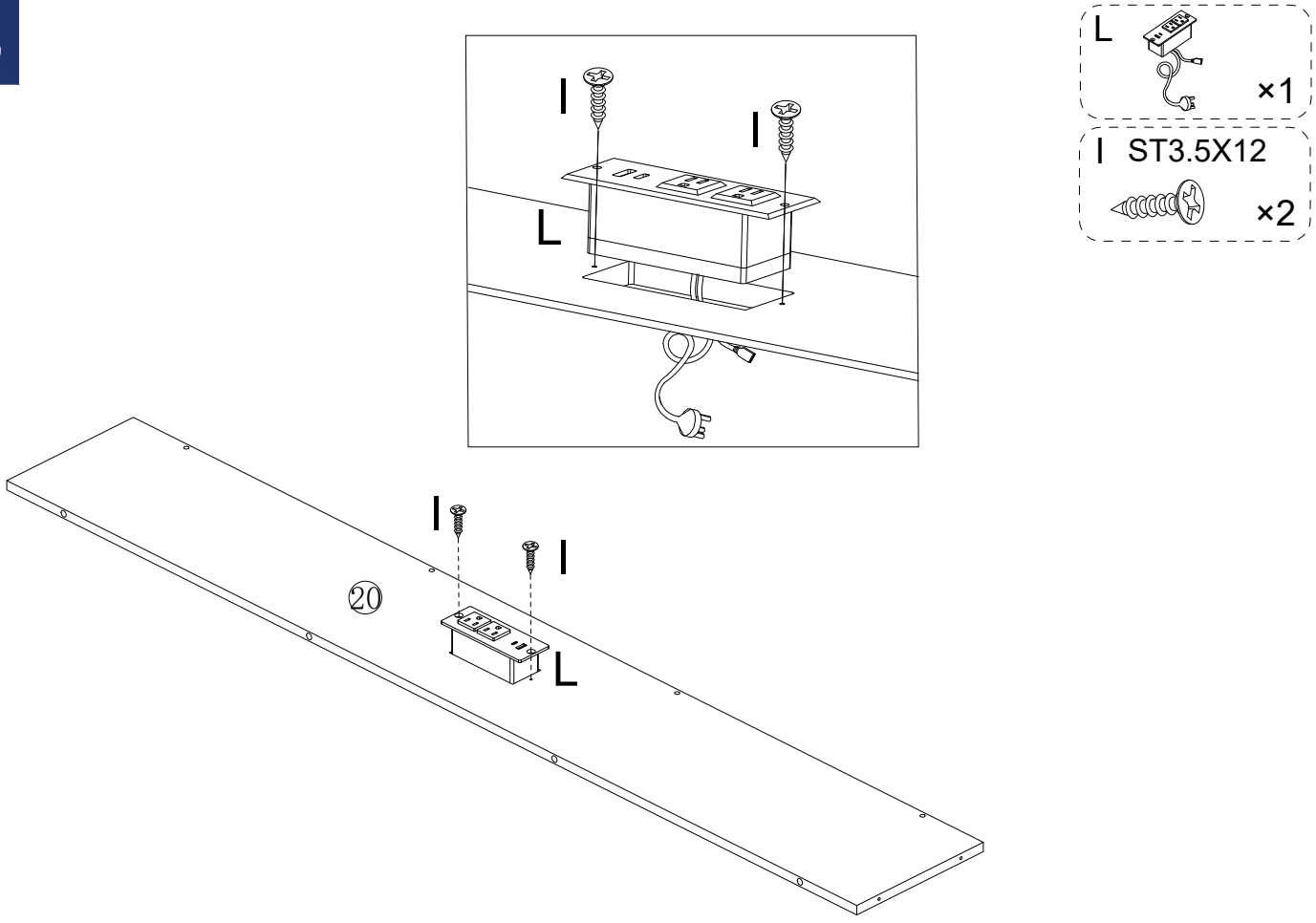
16



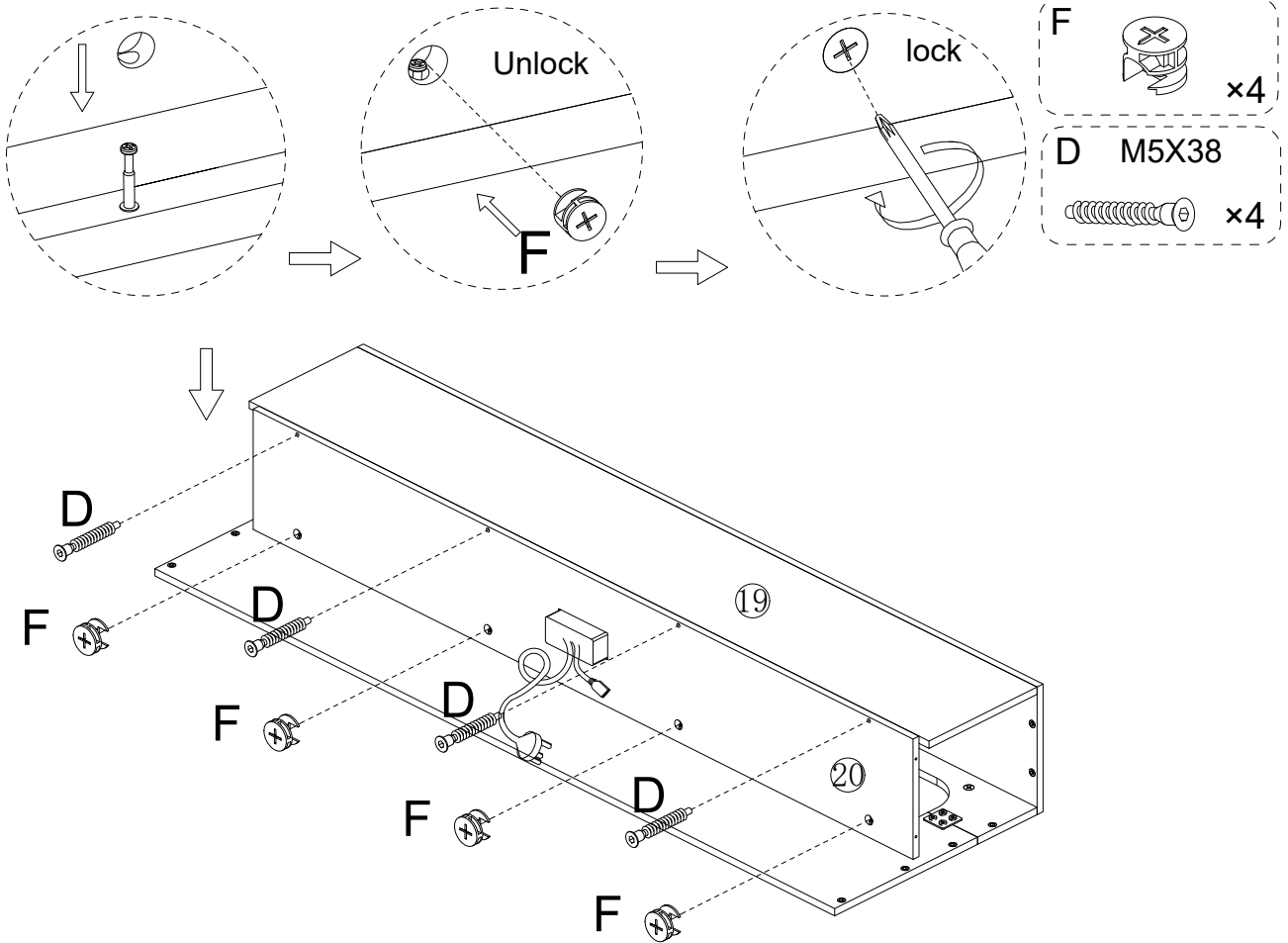
17



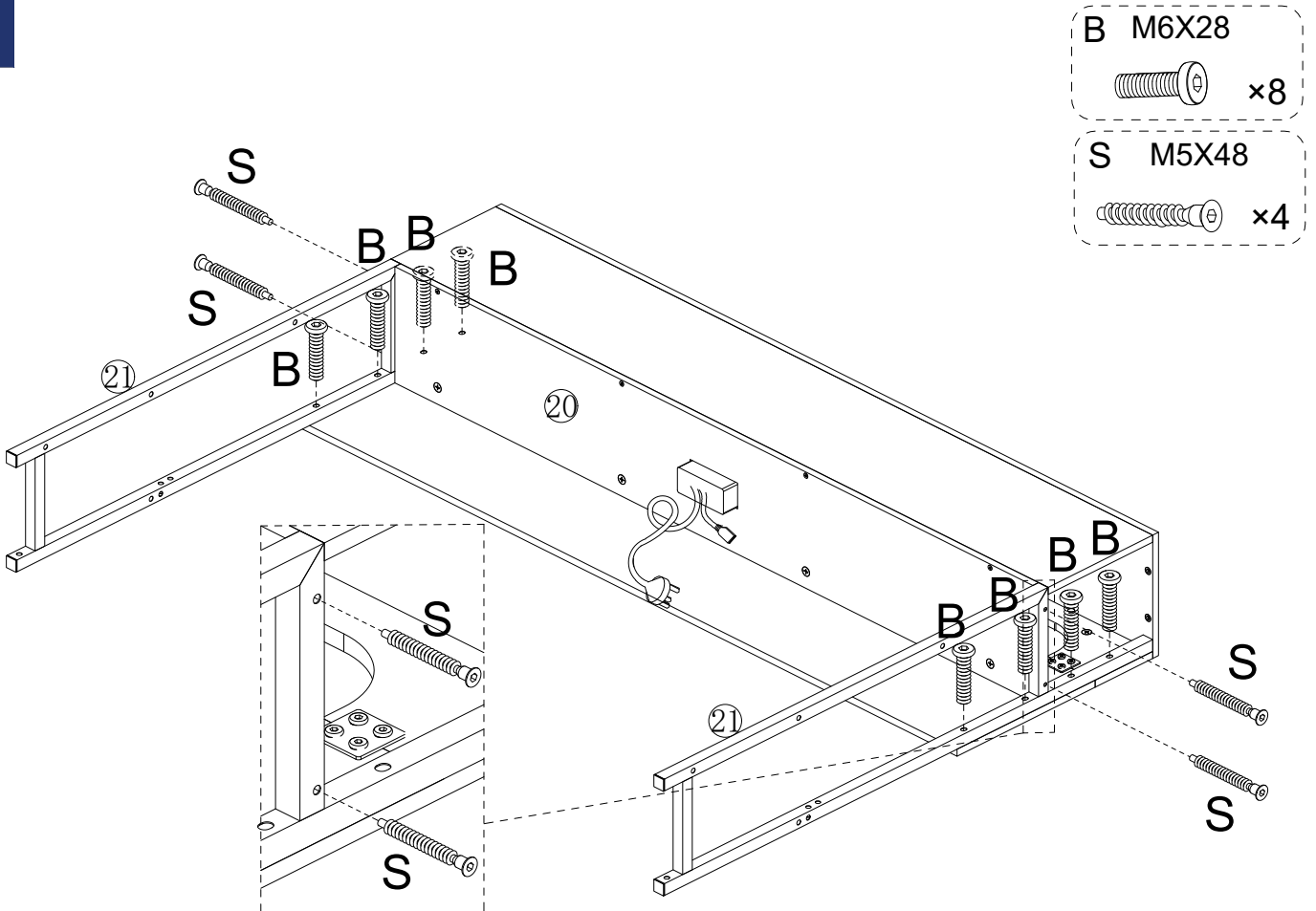
18



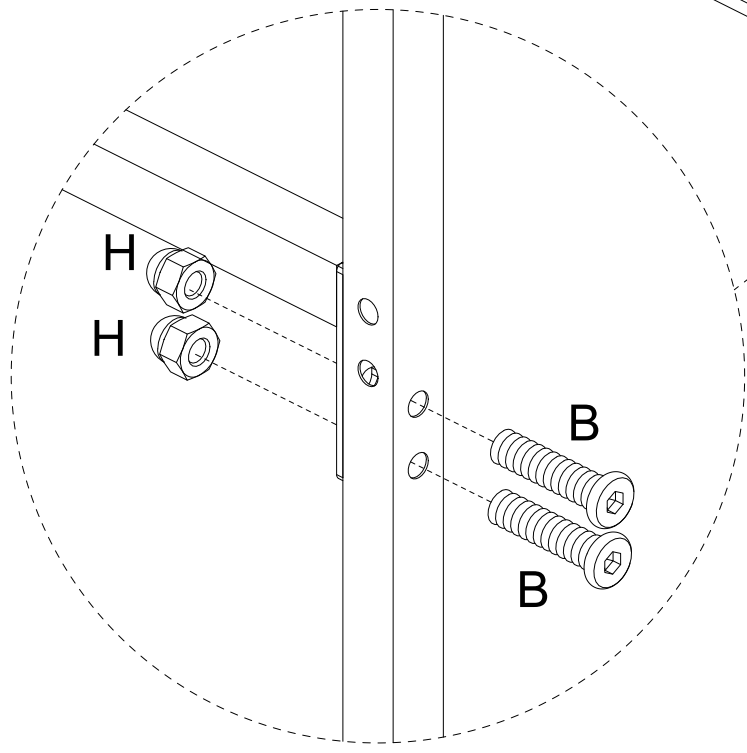
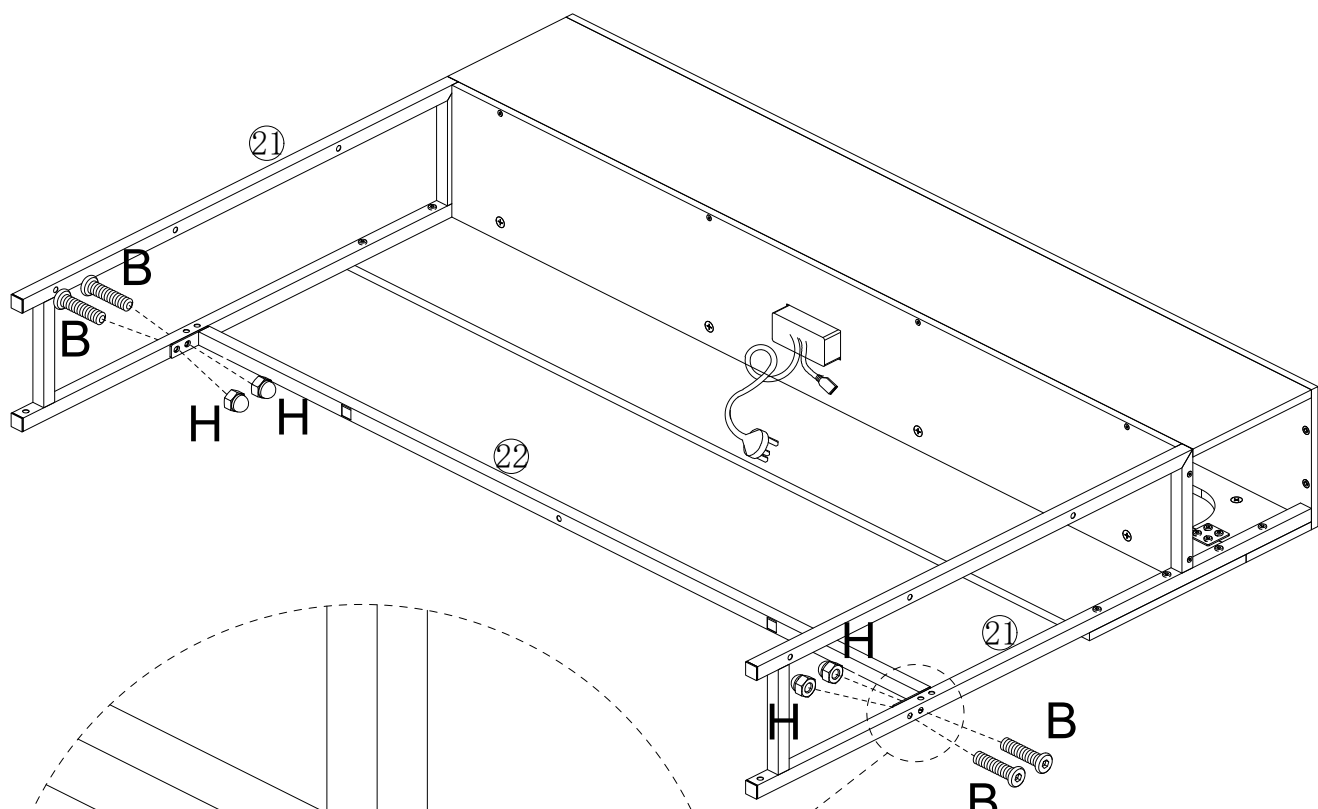
19



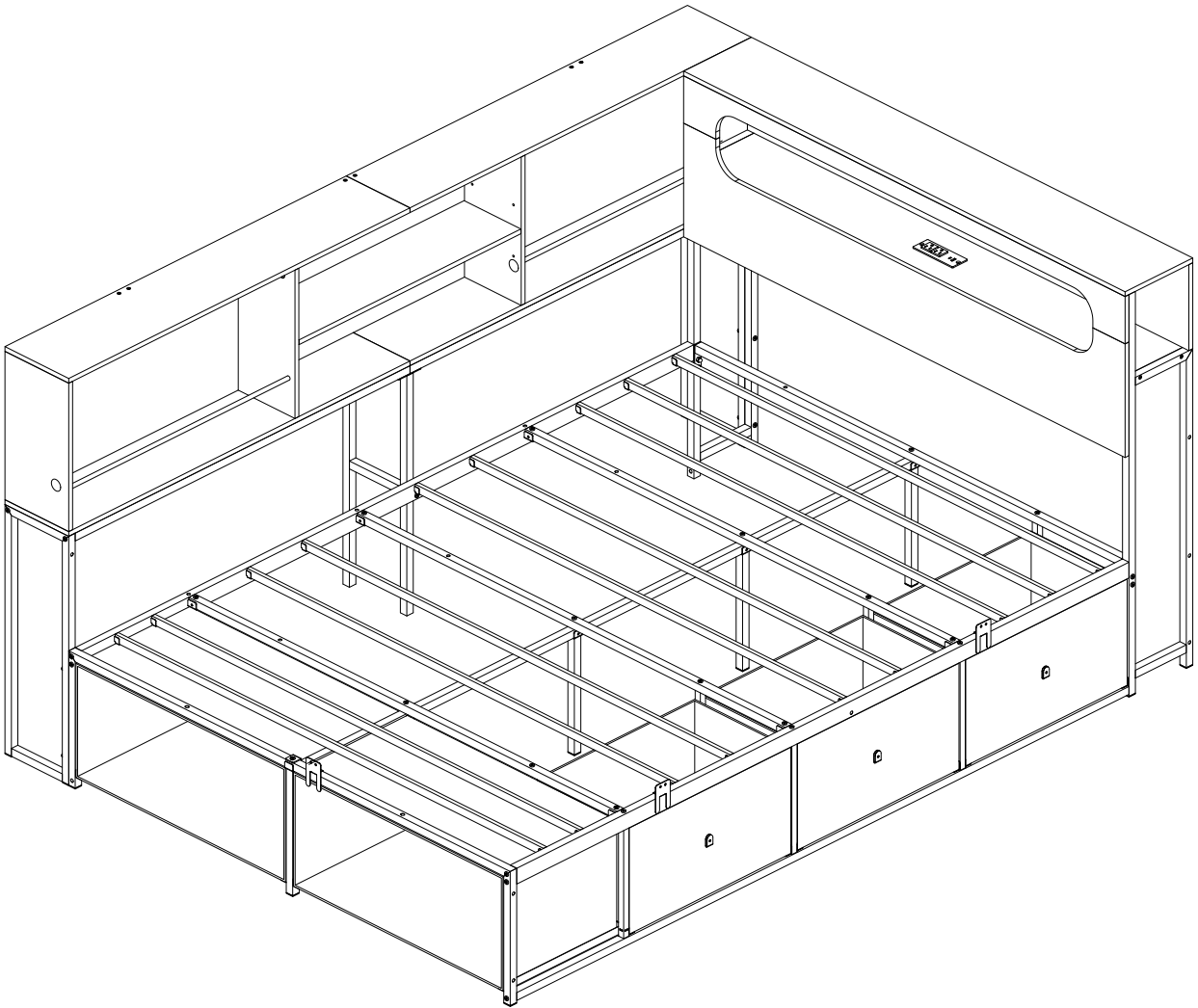
20



- B M6X28
×4
- H M6
×4

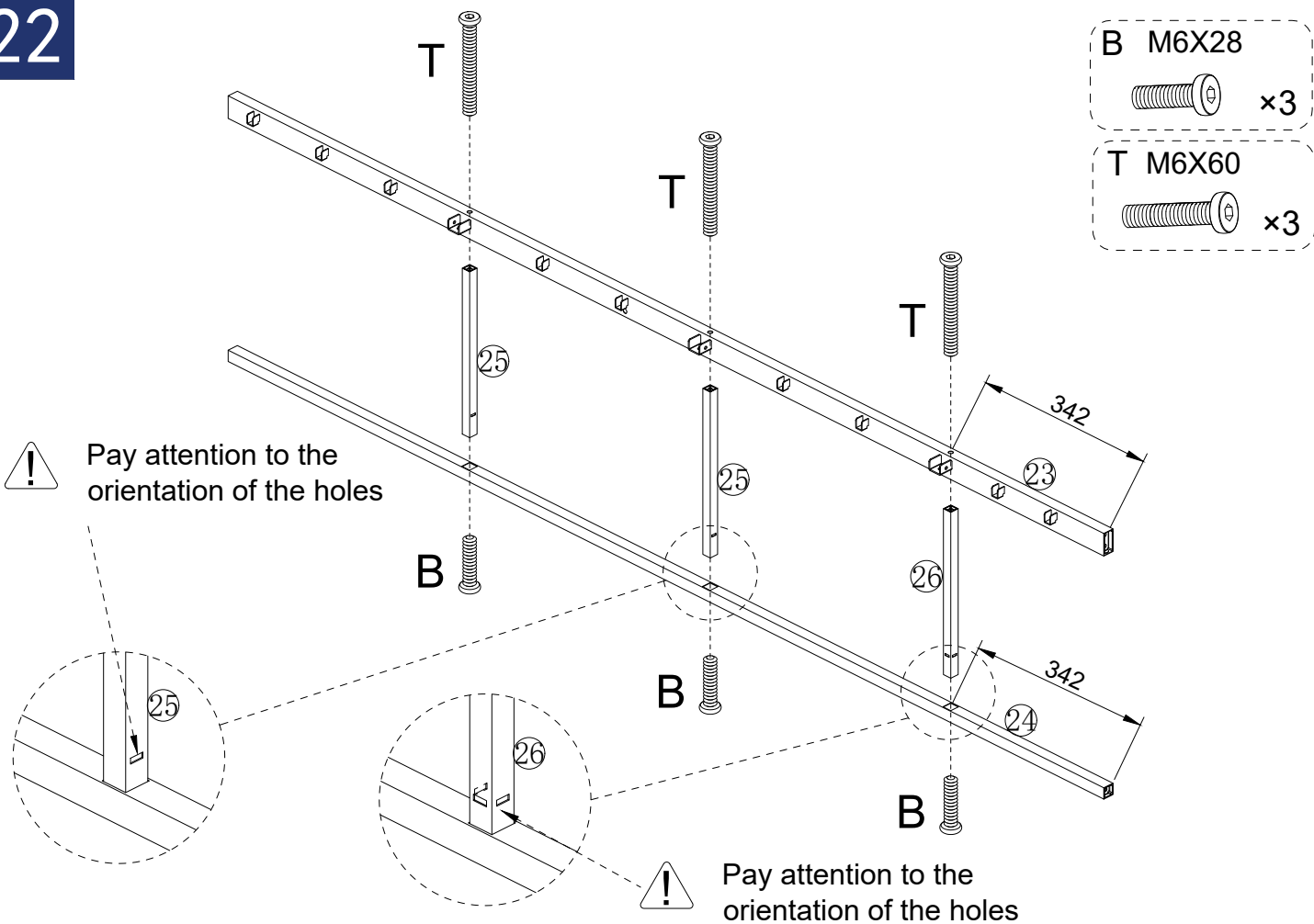


Installation Option I

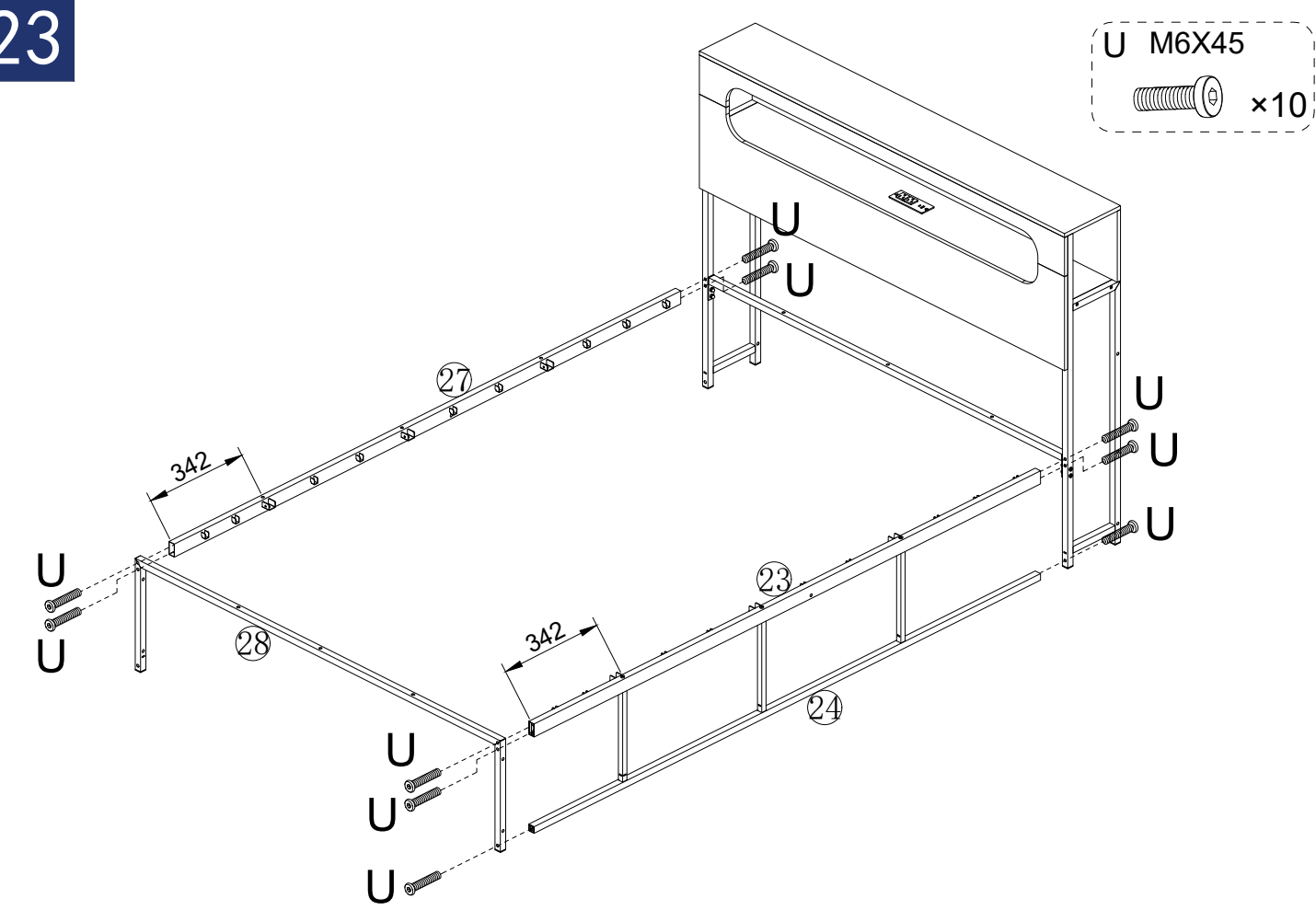


With the basic components of Step 1-step 2 the following installation method is the first.

22



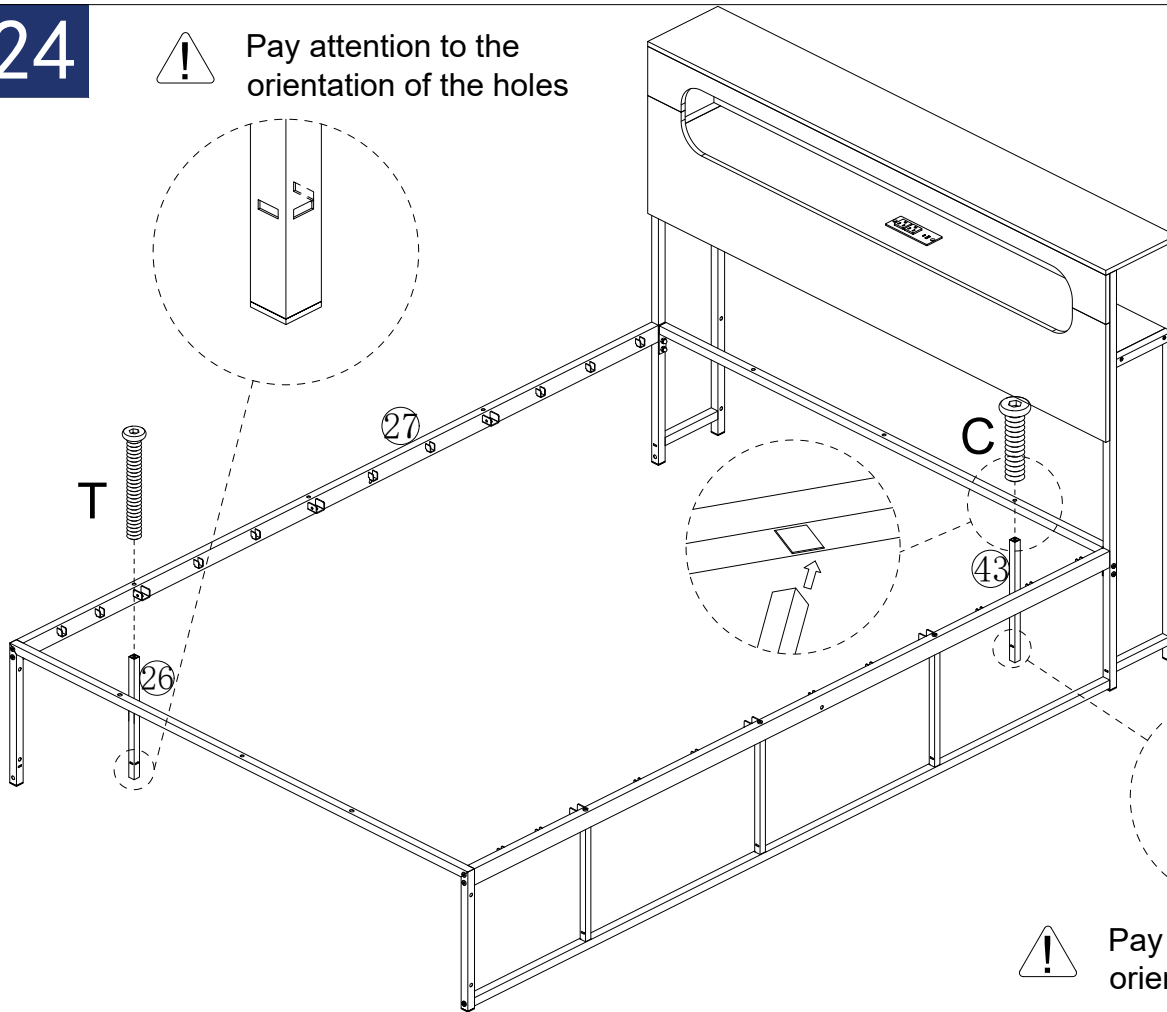
23



24



Pay attention to the orientation of the holes

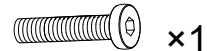


C M6X35



x1

T M6X60

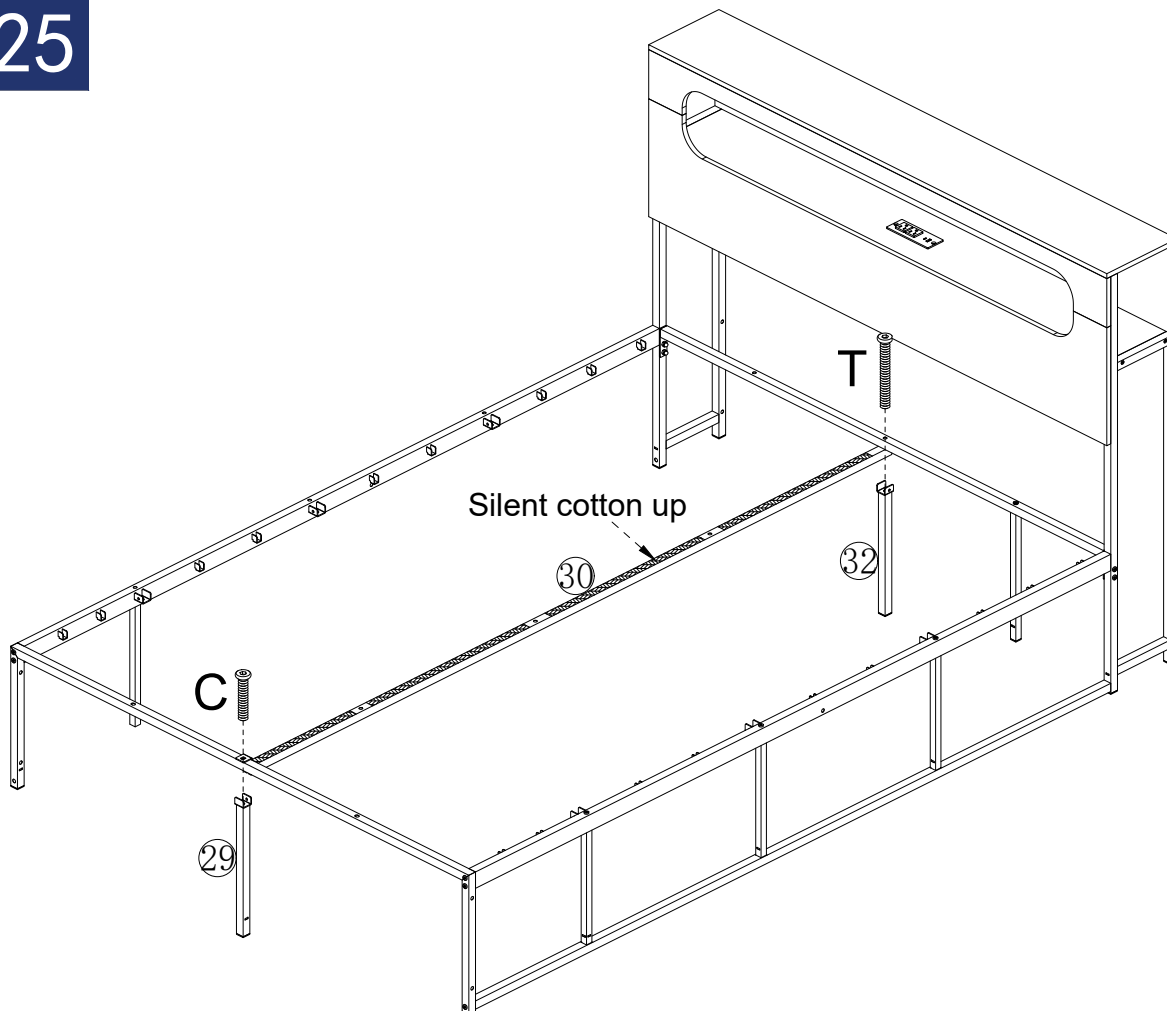


x1



Pay attention to the orientation of the holes

25



C M6X35



x1

T M6X60

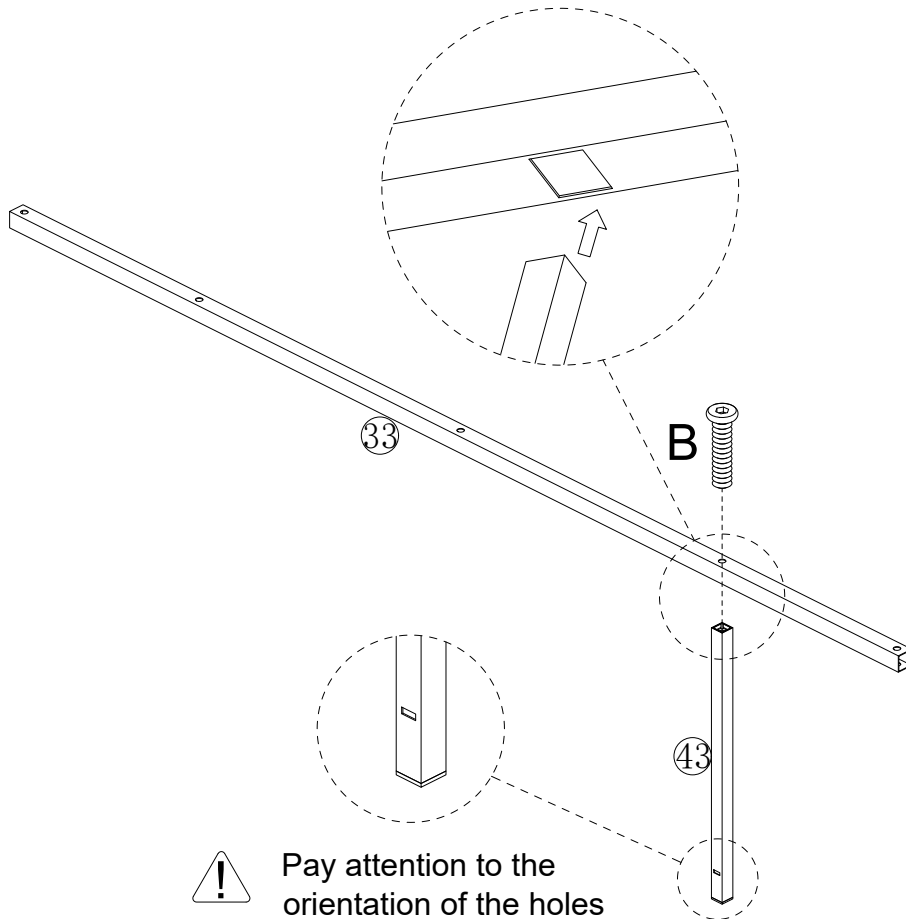


x1

Silent cotton up

26

B M6X28



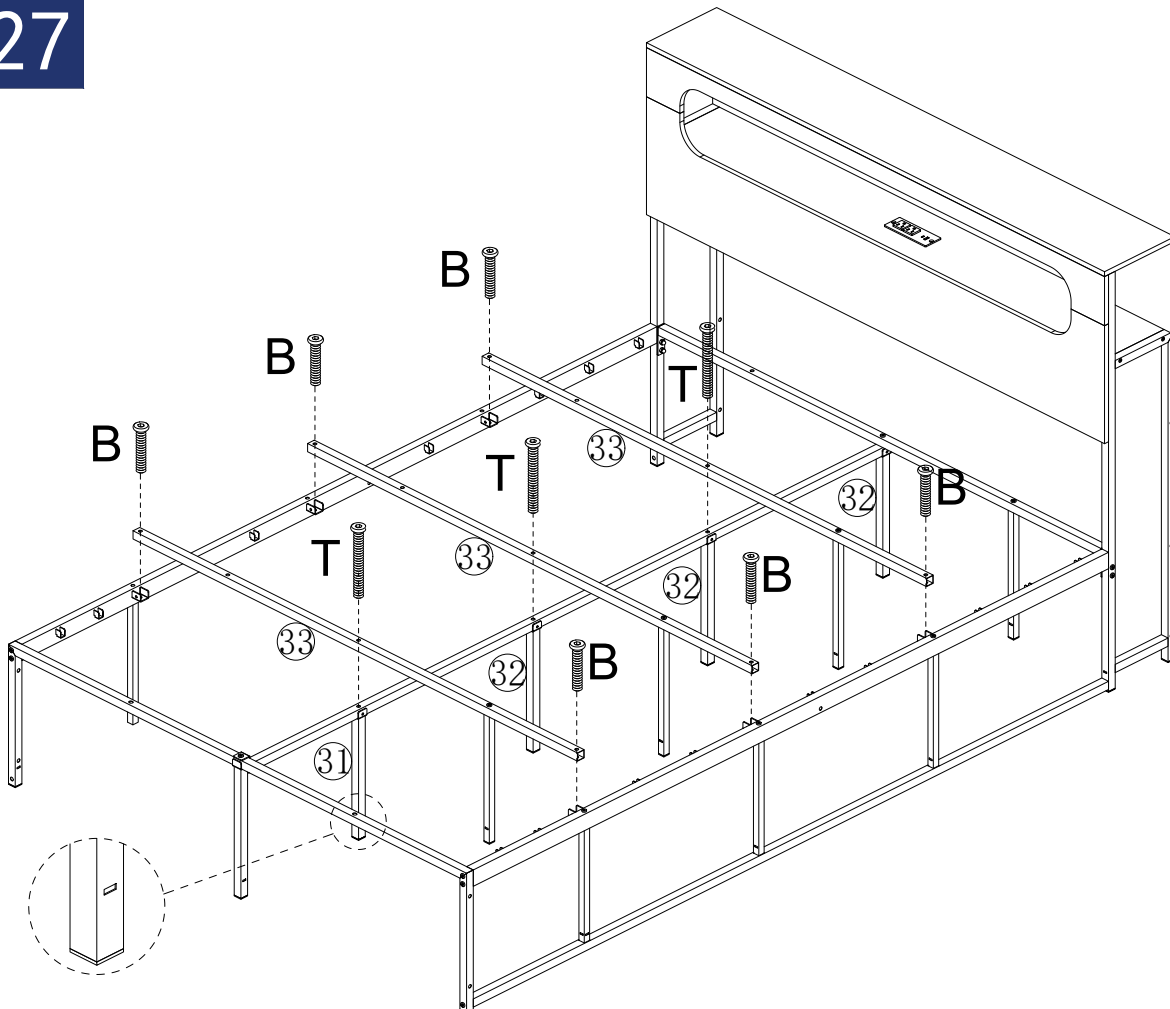
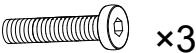
x3

27

B M6X28

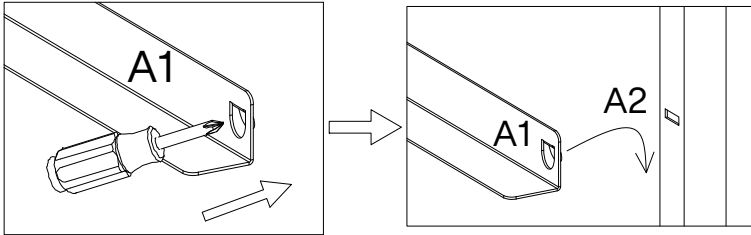


T M6X60

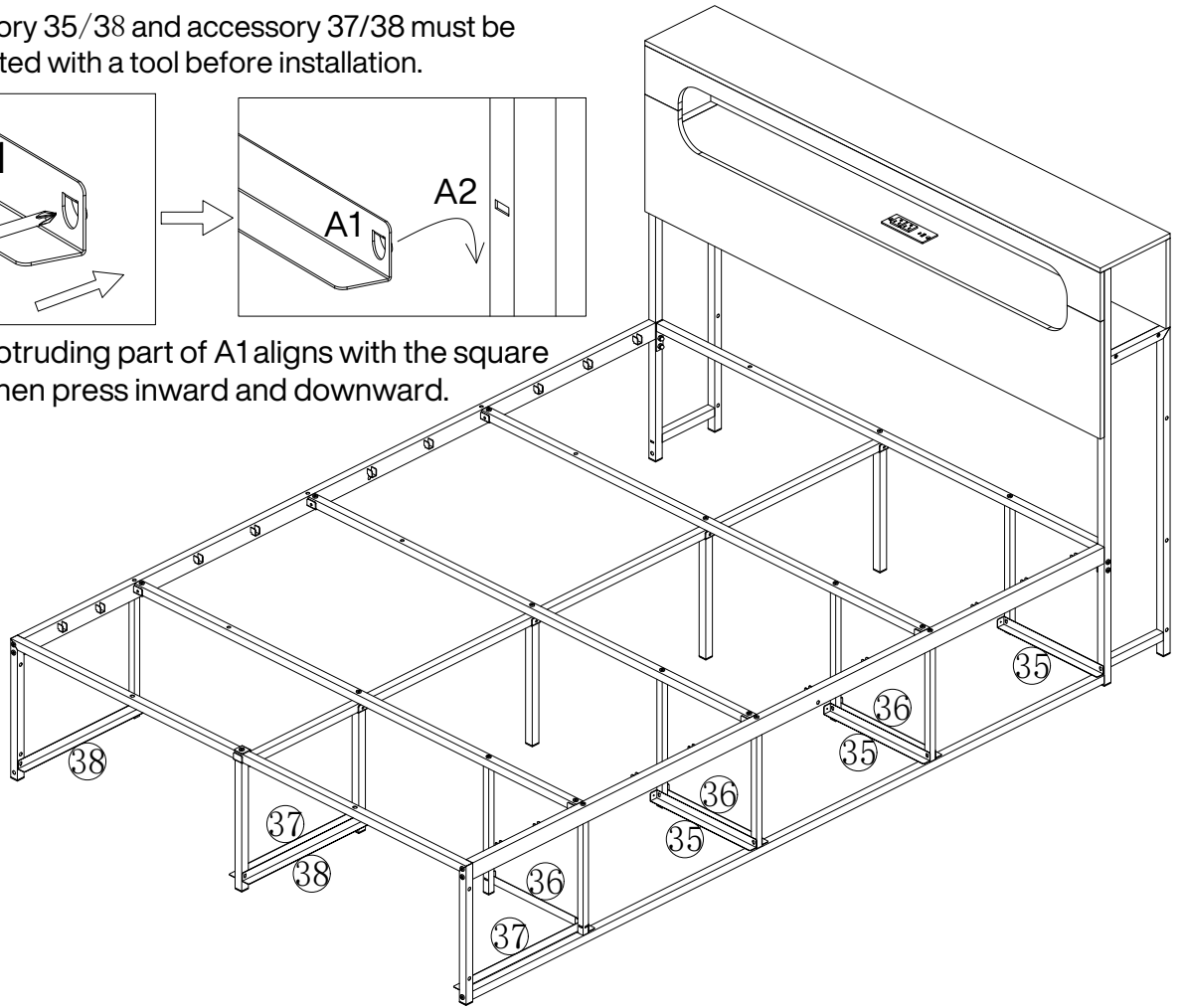


28

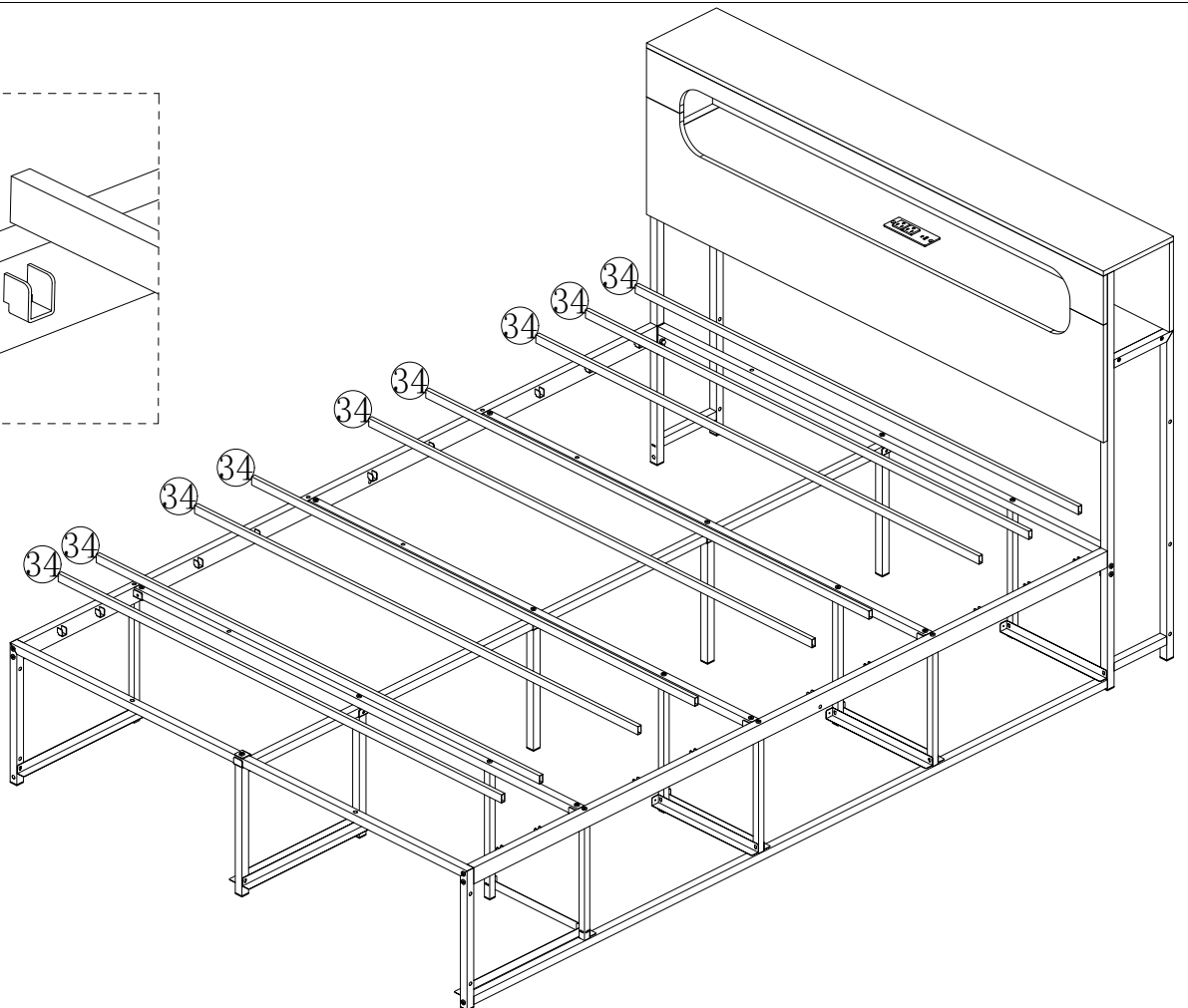
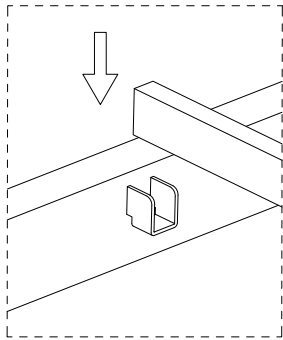
Accessory 35/38 and accessory 37/38 must be supported with a tool before installation.



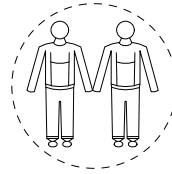
Note that the protruding part of A1 aligns with the square hole of A2 and then press inward and downward.



29



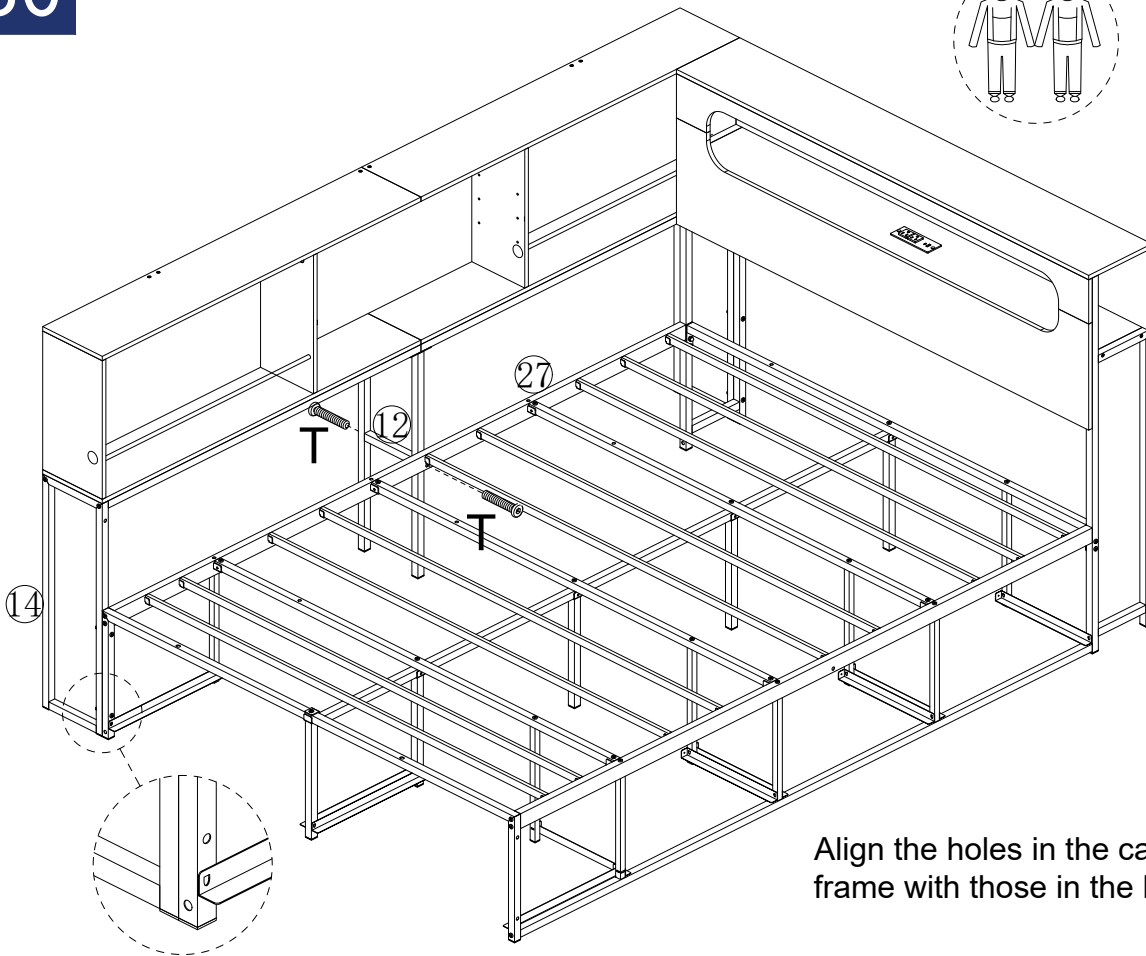
30



T M6X60

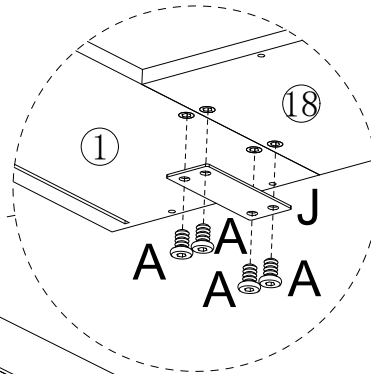


x2

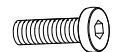


Align the holes in the cabinet frame with those in the bed frame

31

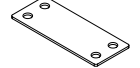


A M6X10

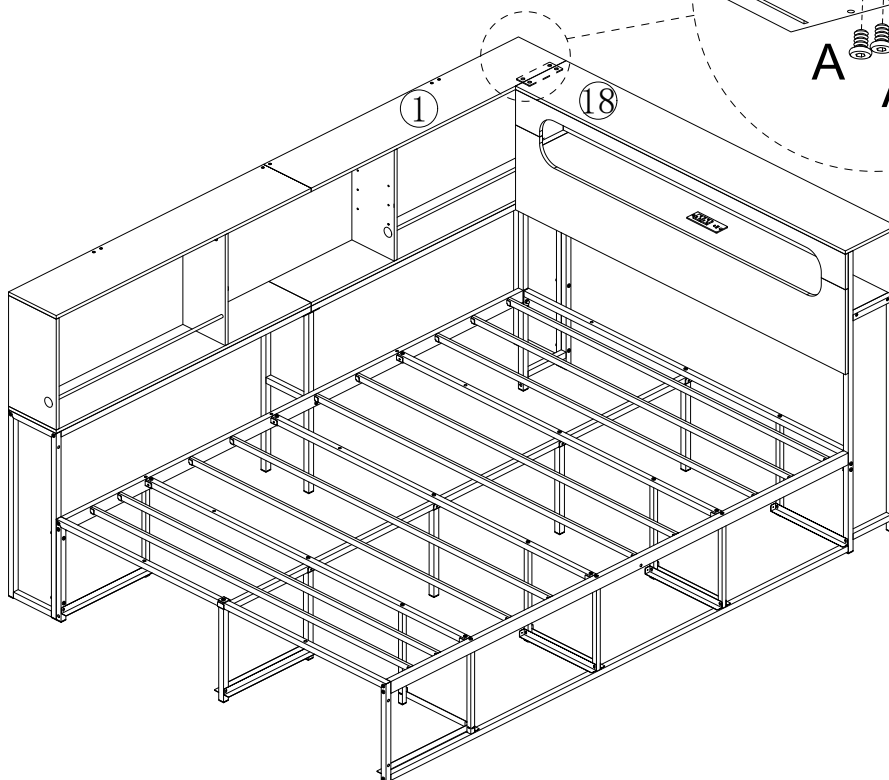


x4

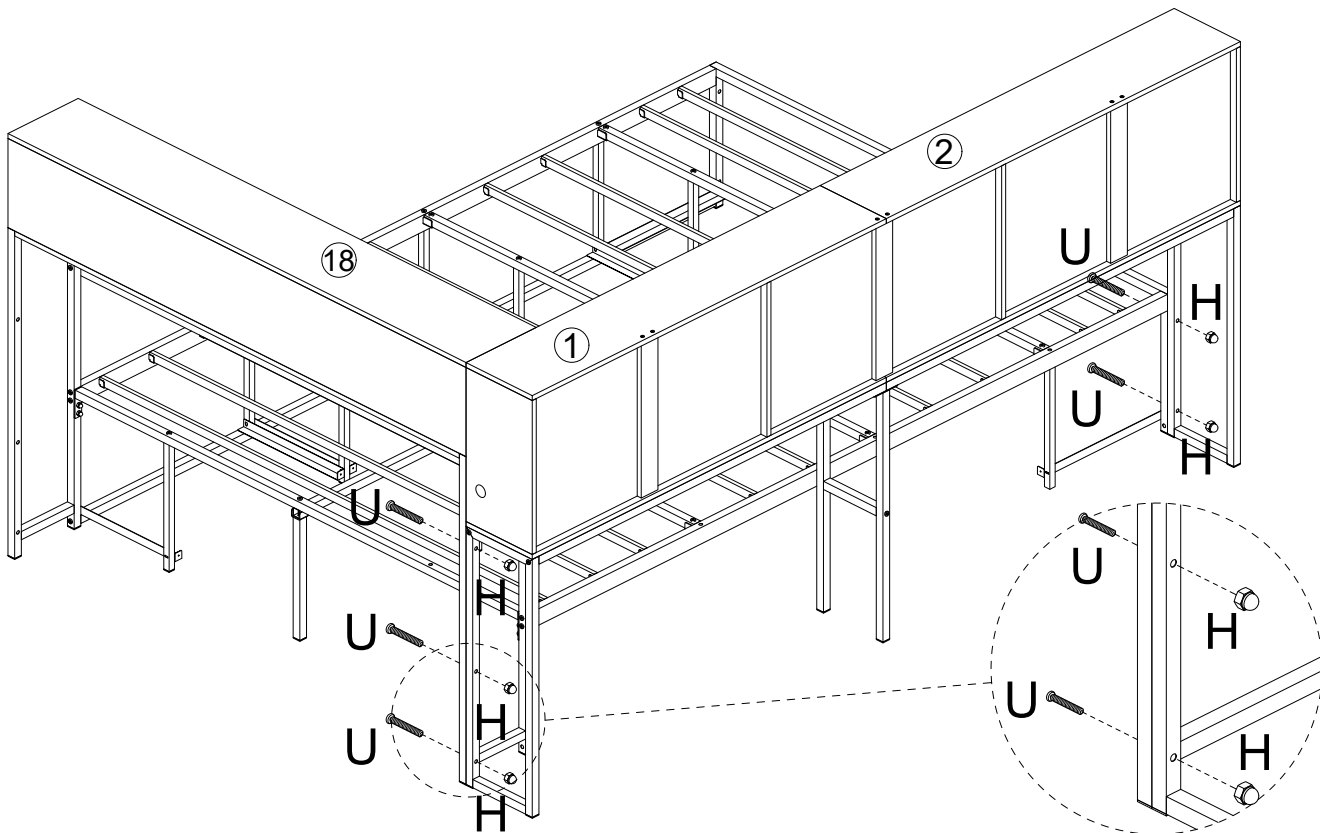
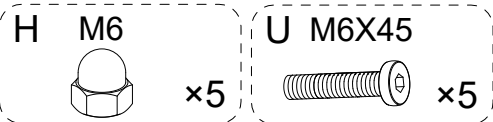
J 100X40



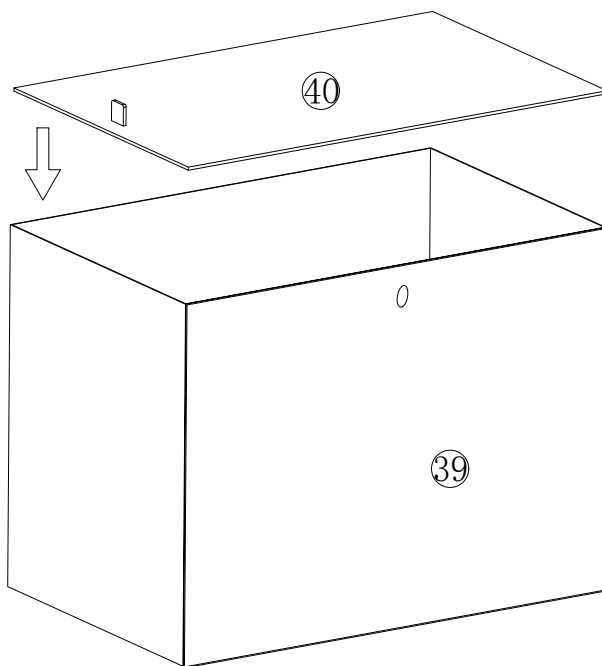
x1



32

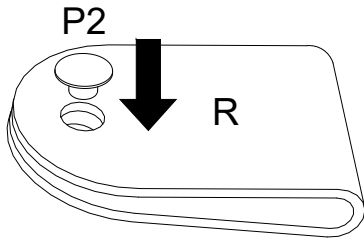


33

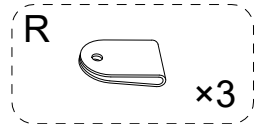
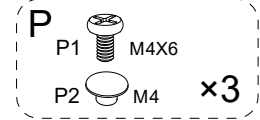
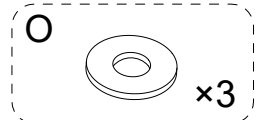
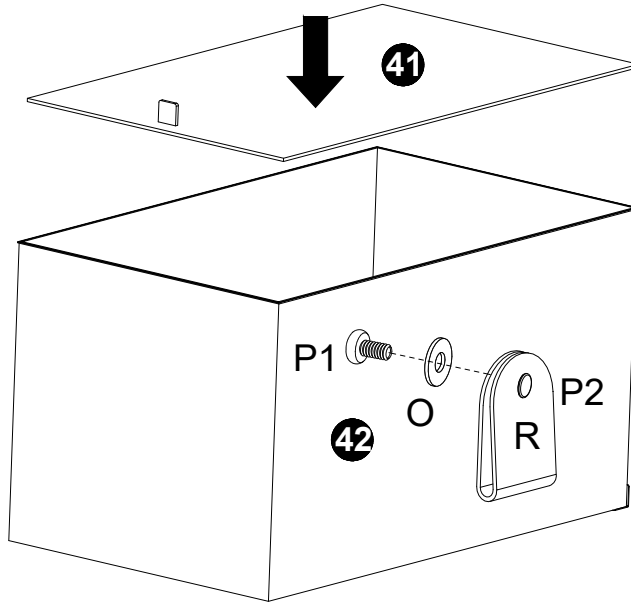


x2

34

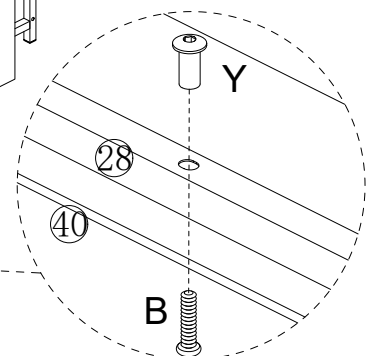
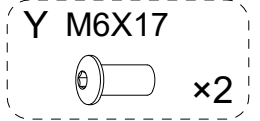
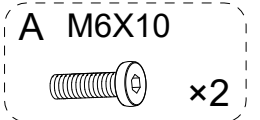
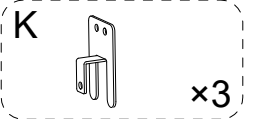
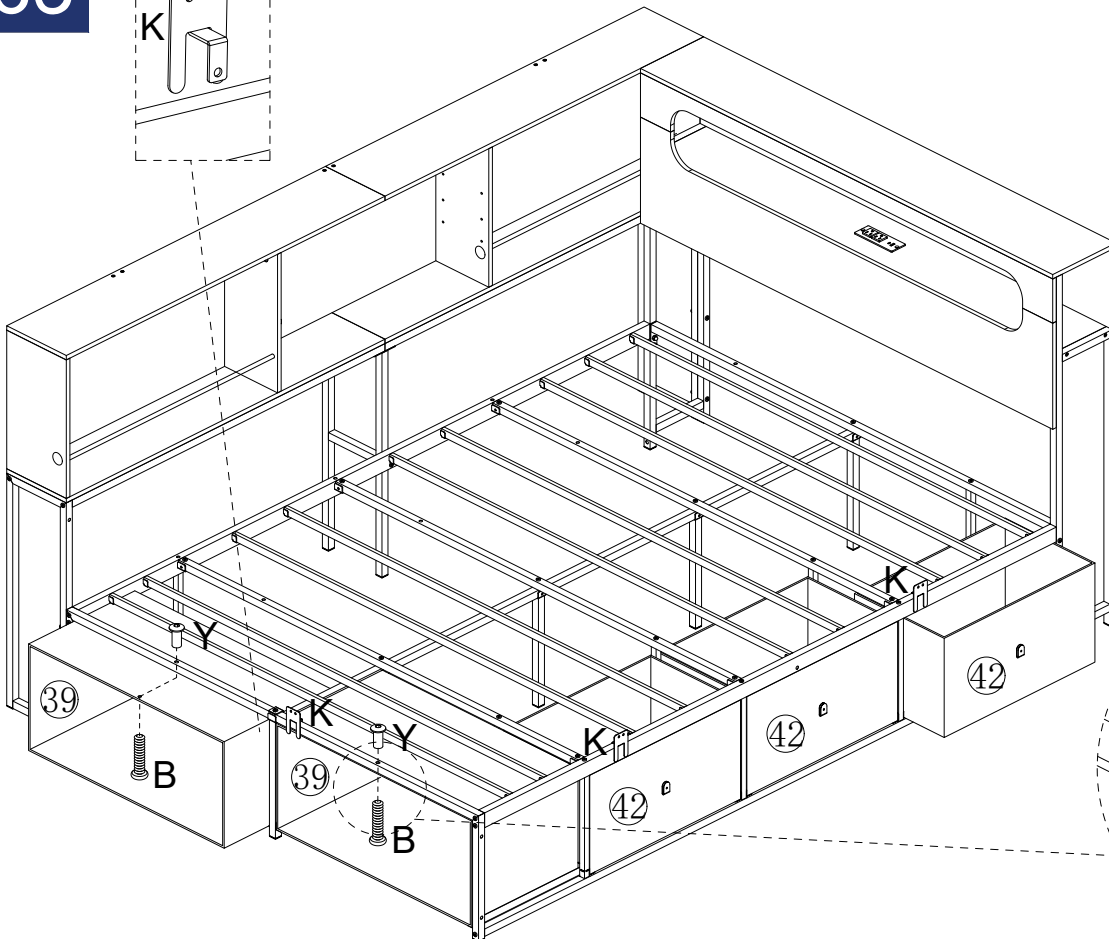
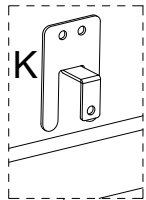


First, press component P2 into component R by hand



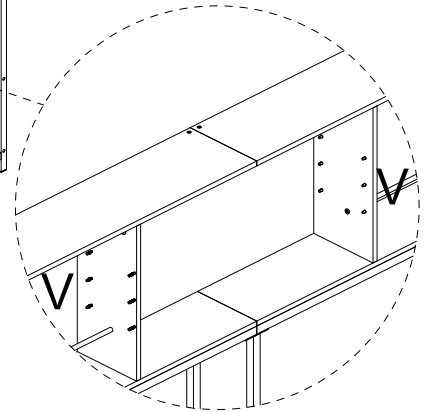
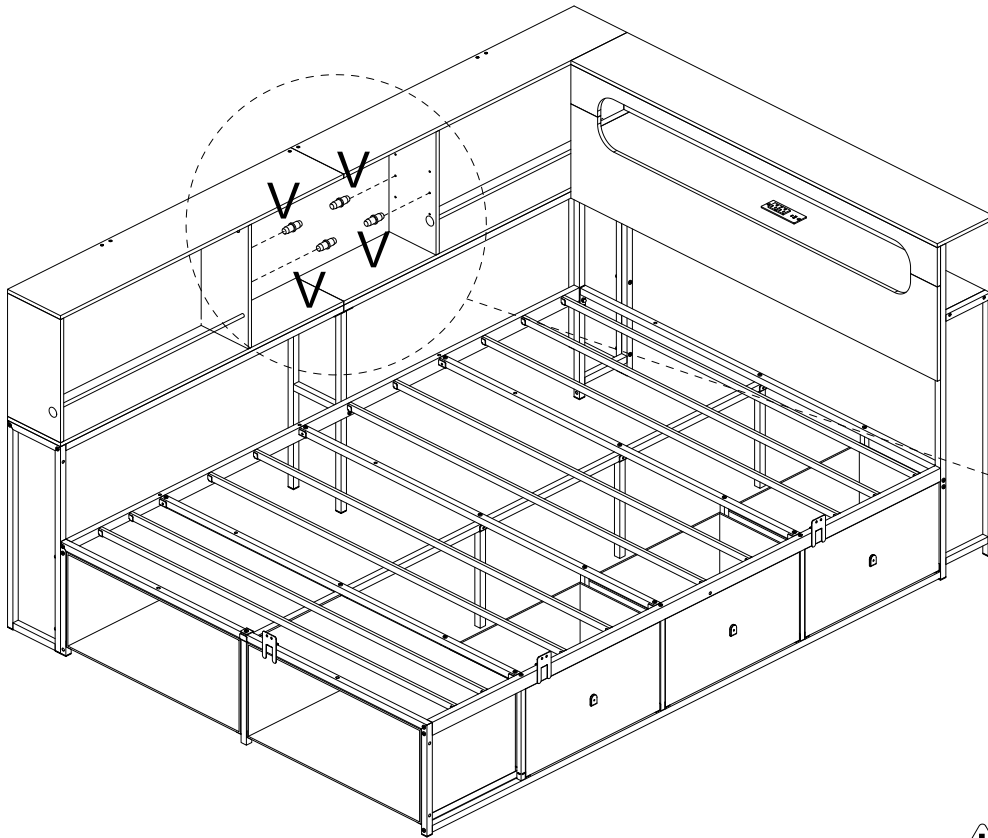
x3

35



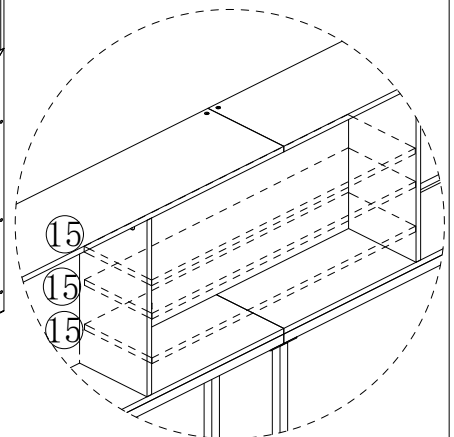
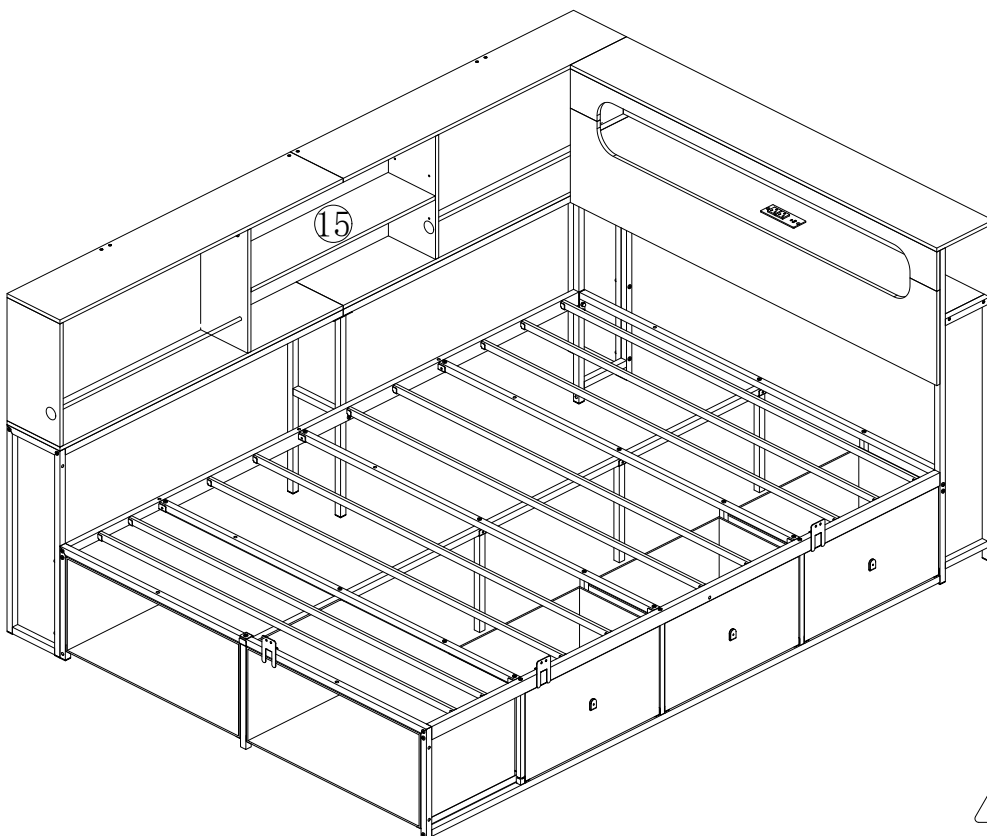
36

V Ø5X16
×4



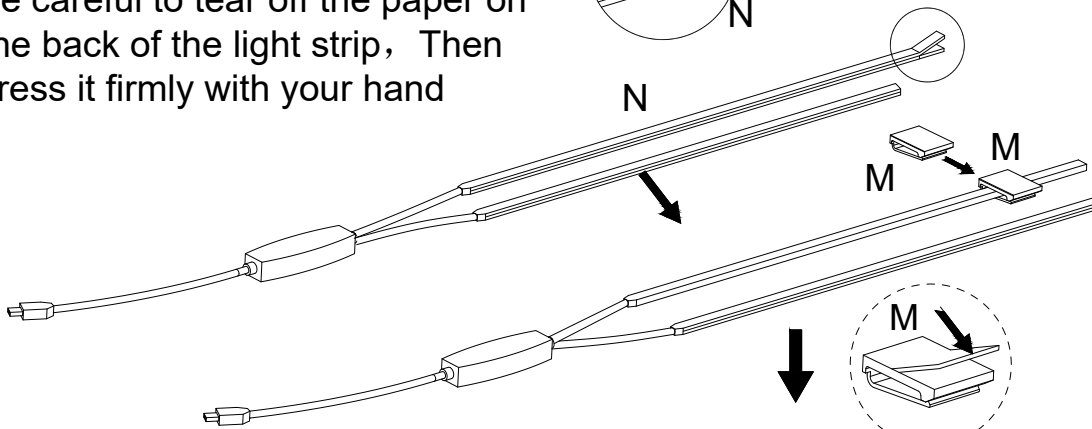
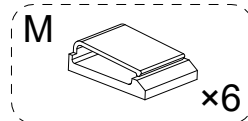
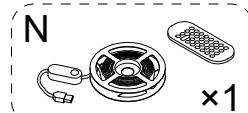
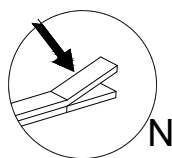
! You can adjust the position according to your needs

37

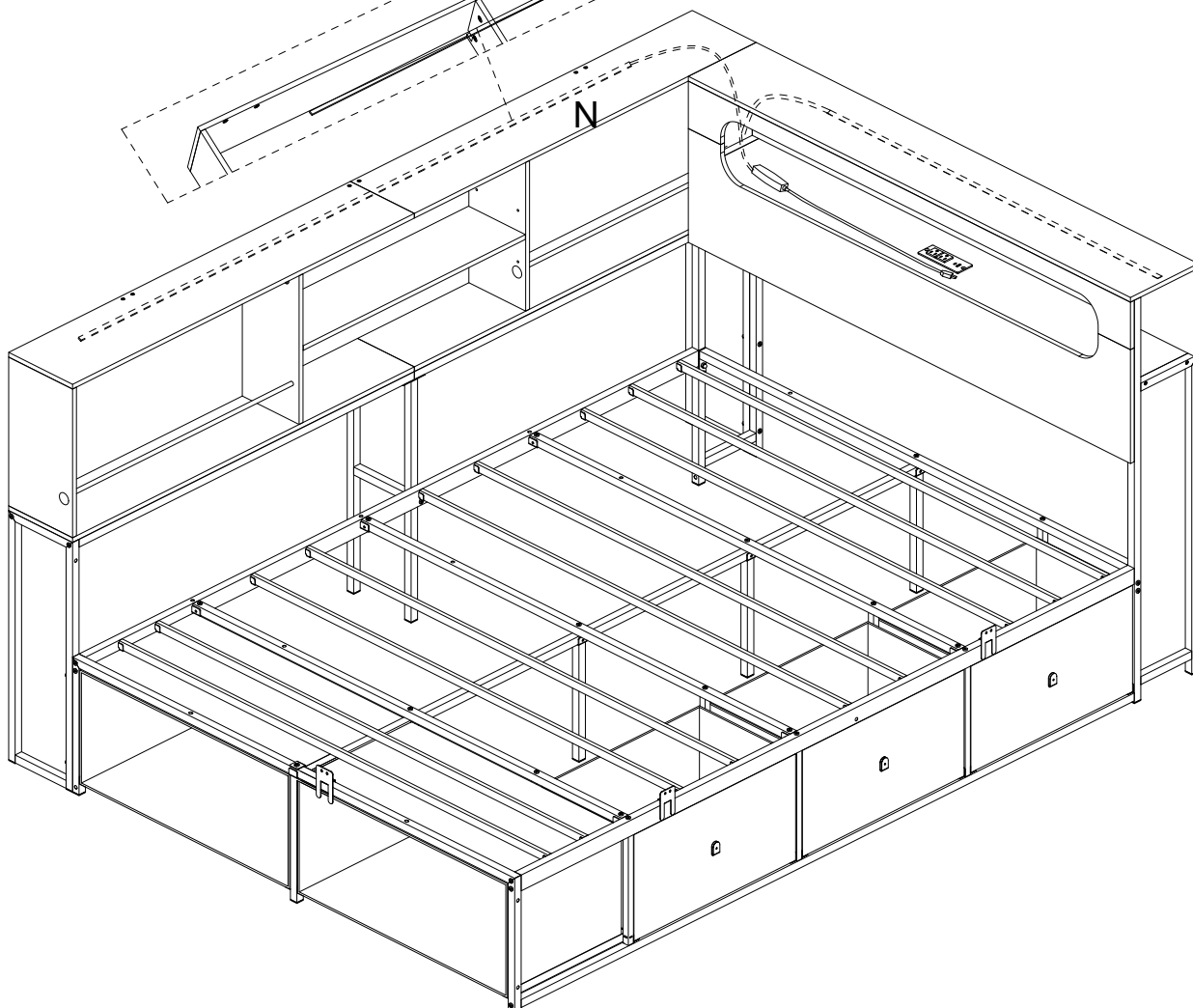
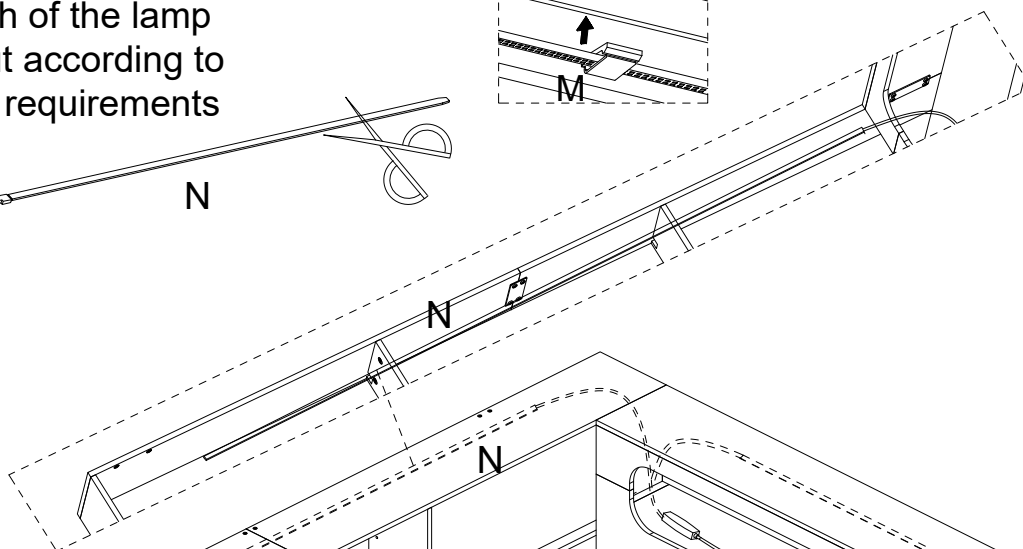
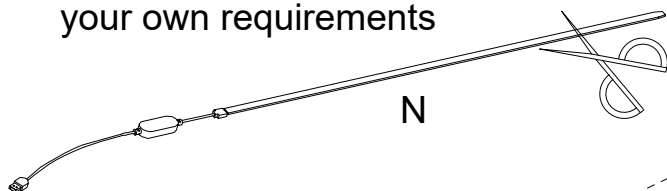
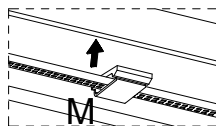


! You can adjust the position according to your needs

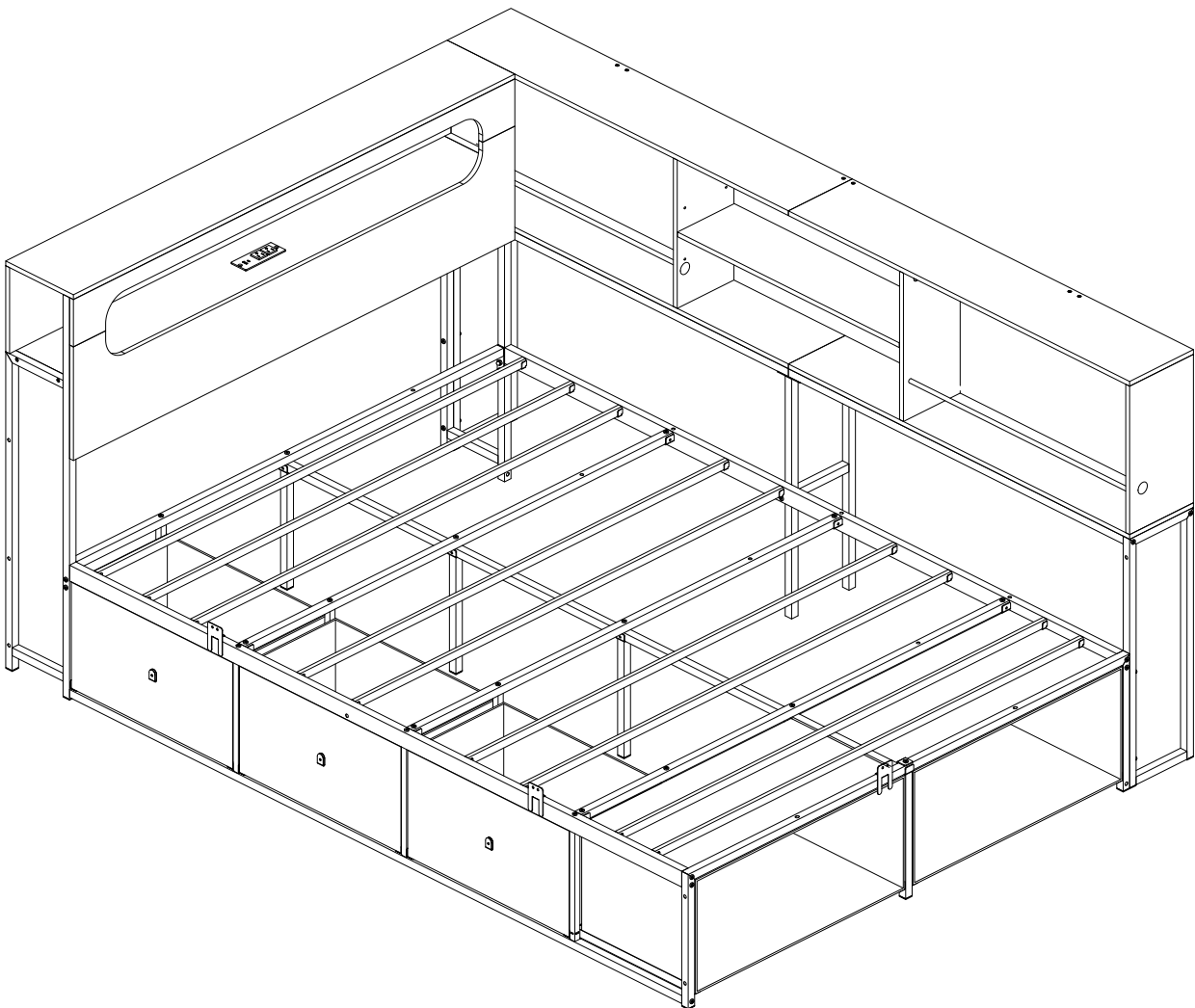
Be careful to tear off the paper on the back of the light strip, Then press it firmly with your hand



The length of the lamp can be cut according to your own requirements

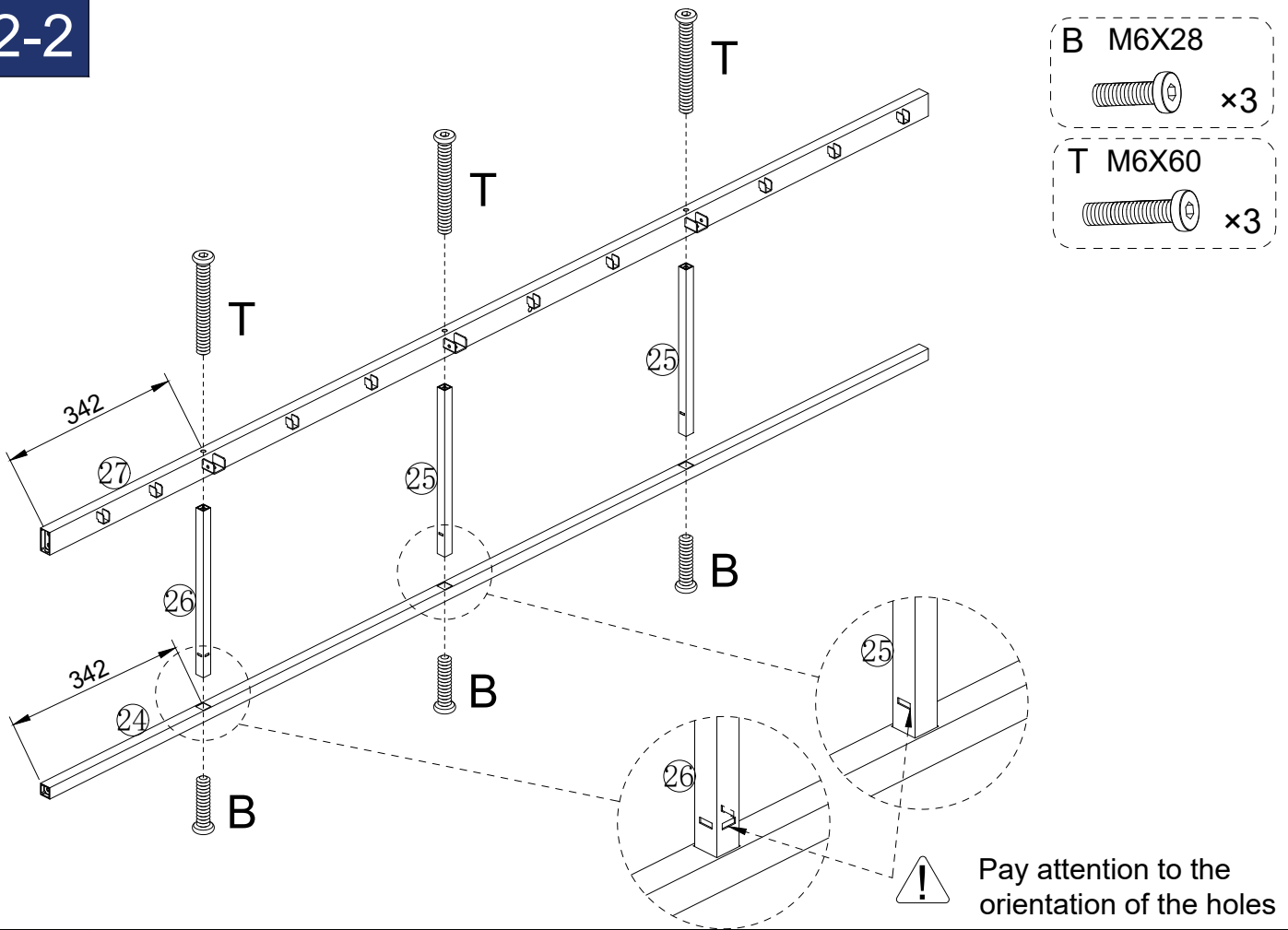


Installation Option II

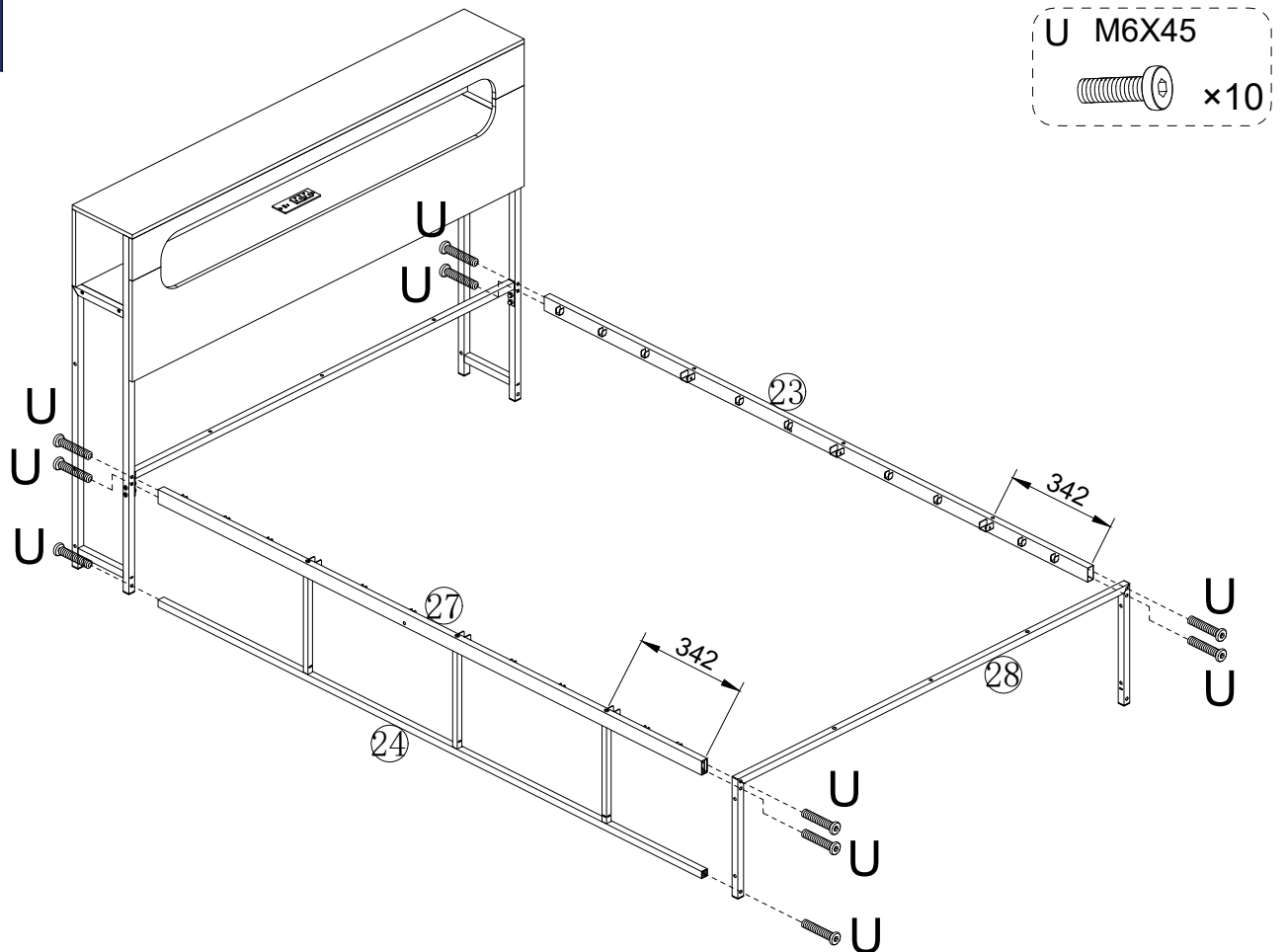


With the basic components of Step1-step21the following installation method is the first.

22-2



23-2



24-2

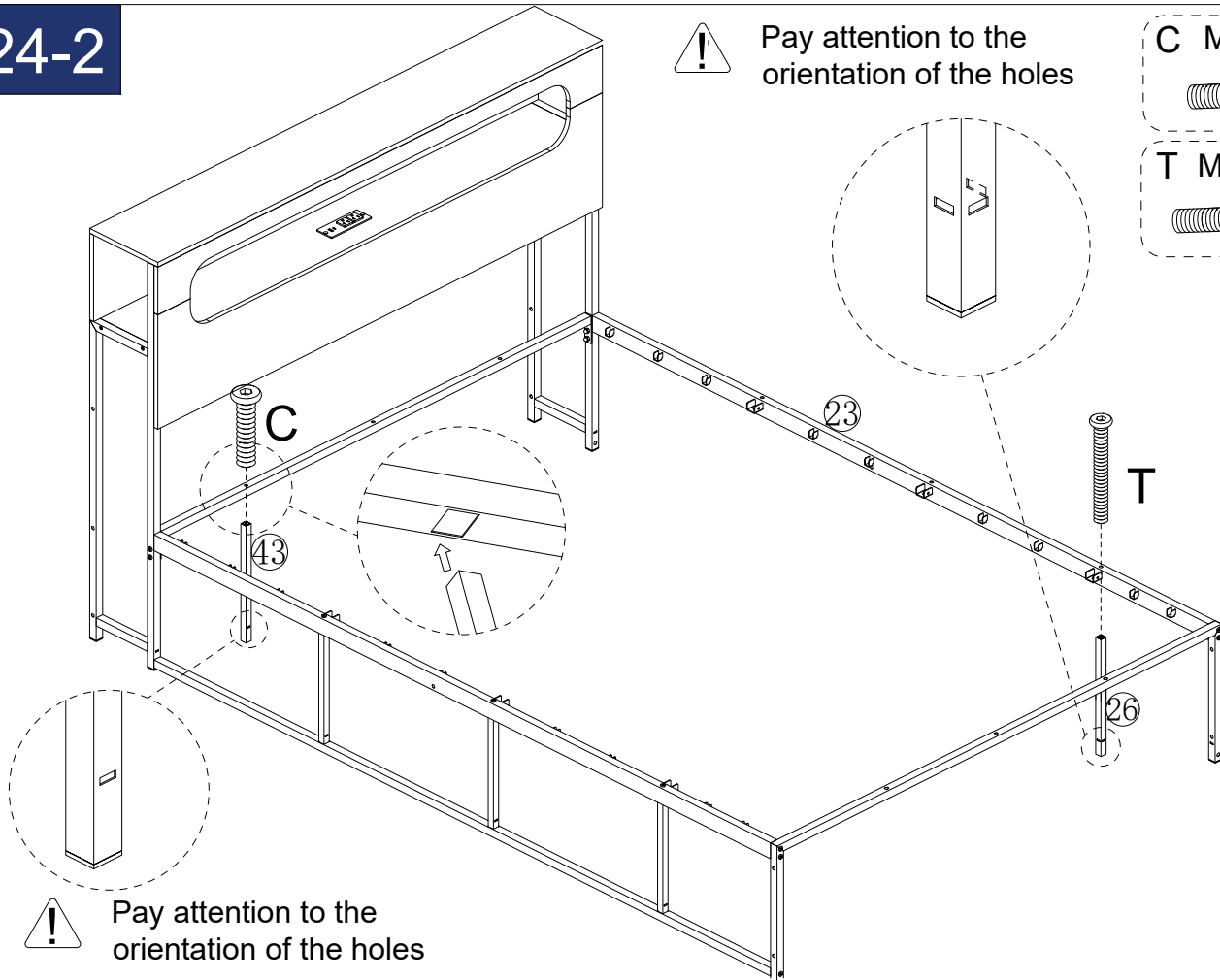
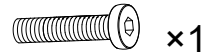


Pay attention to the orientation of the holes

C M6X35



T M6X60

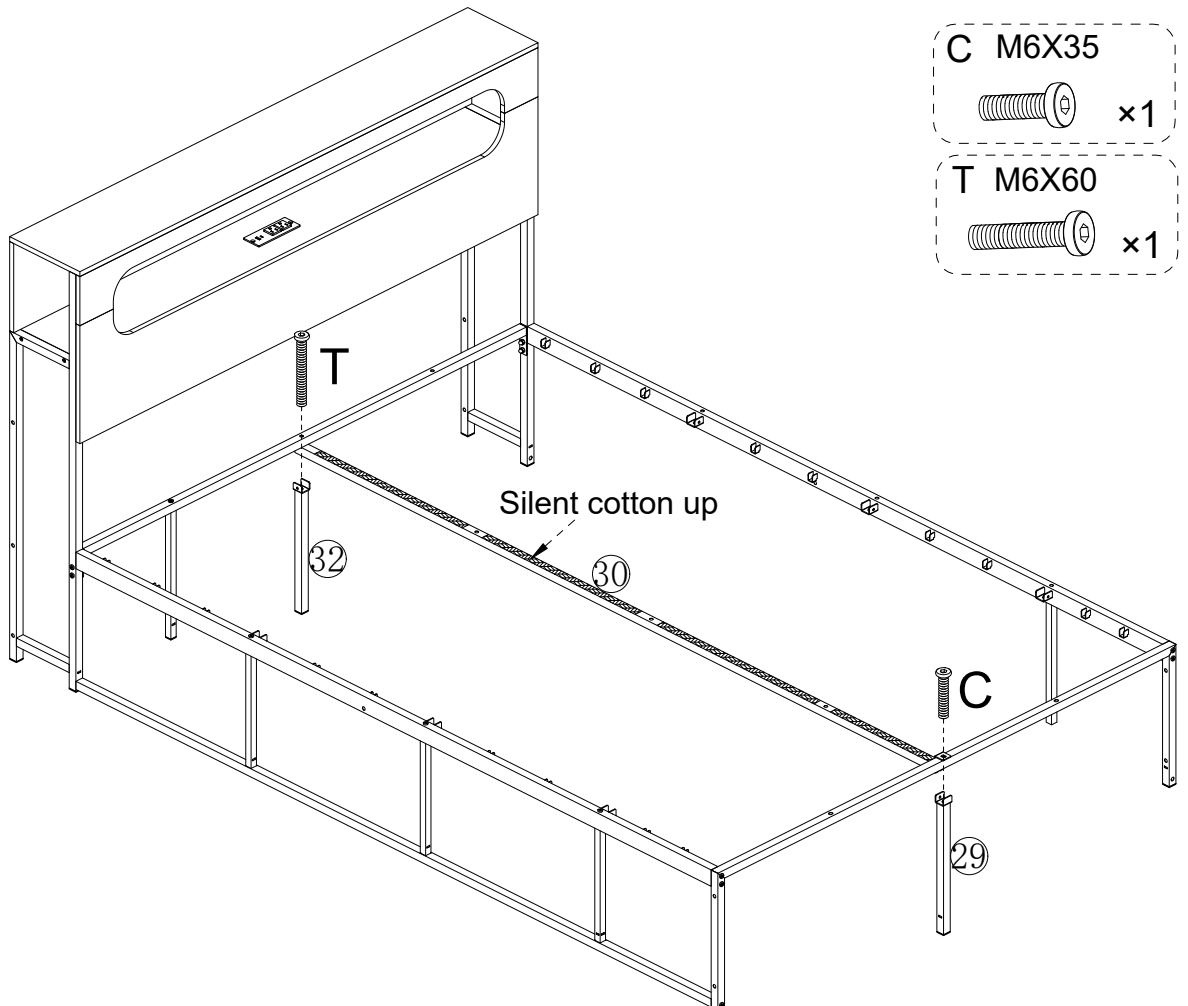
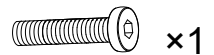


25-2

C M6X35

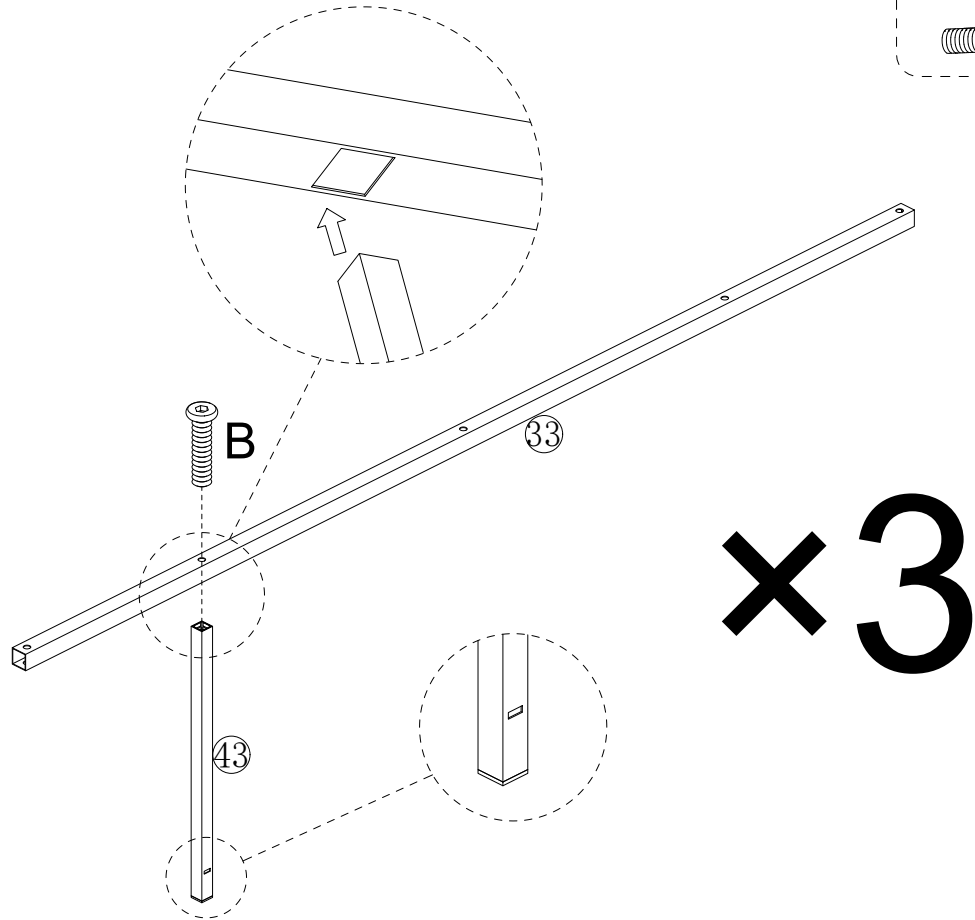


T M6X60



26-2

B M6X28

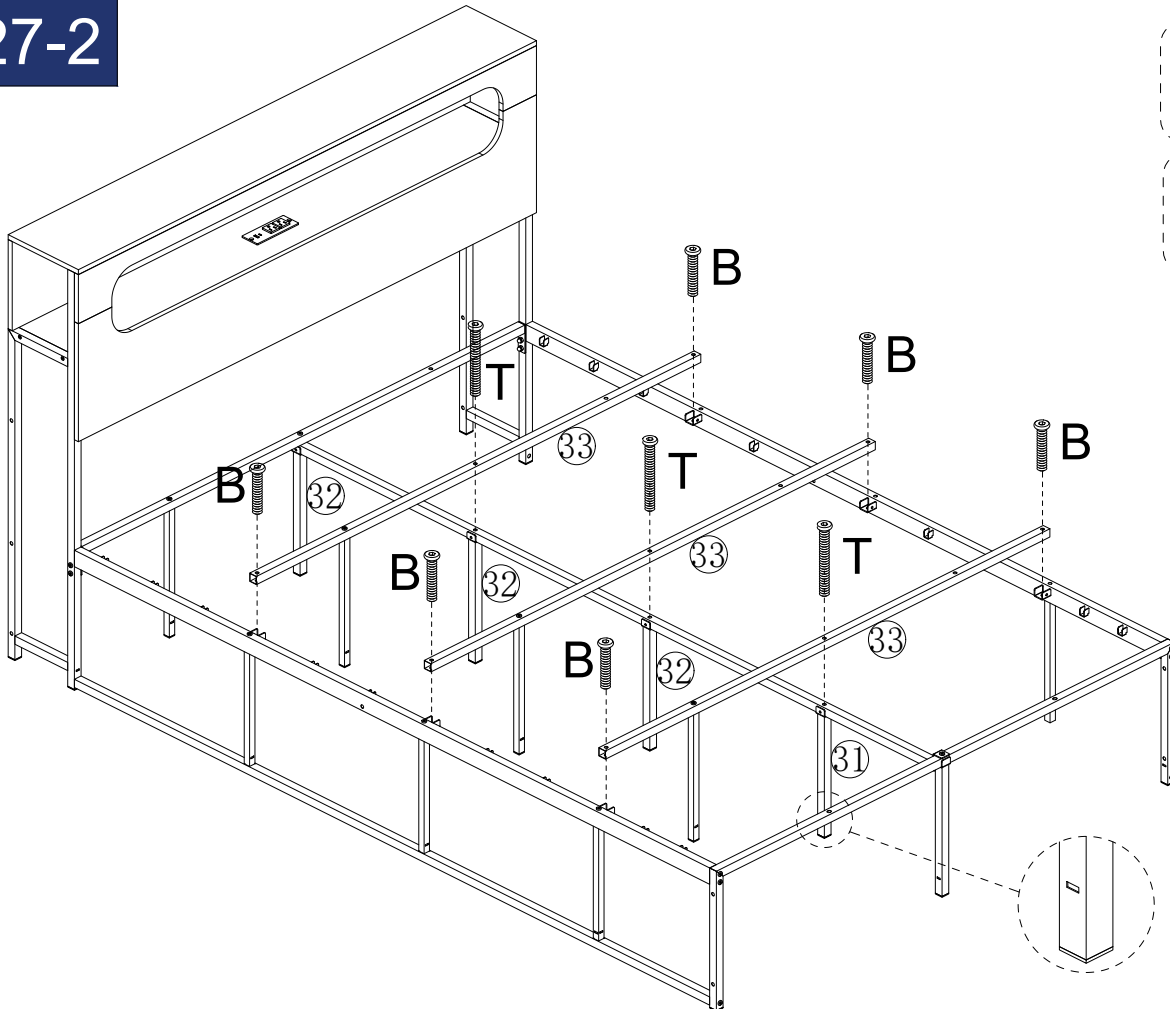
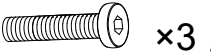


27-2

B M6X28

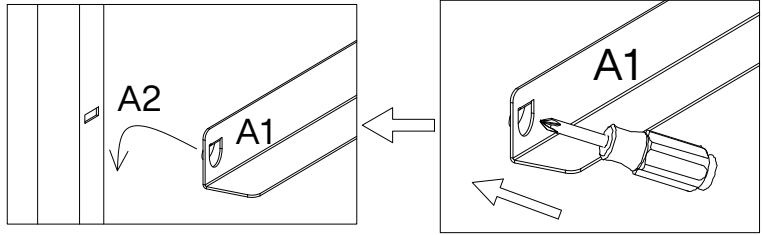


T M6X60

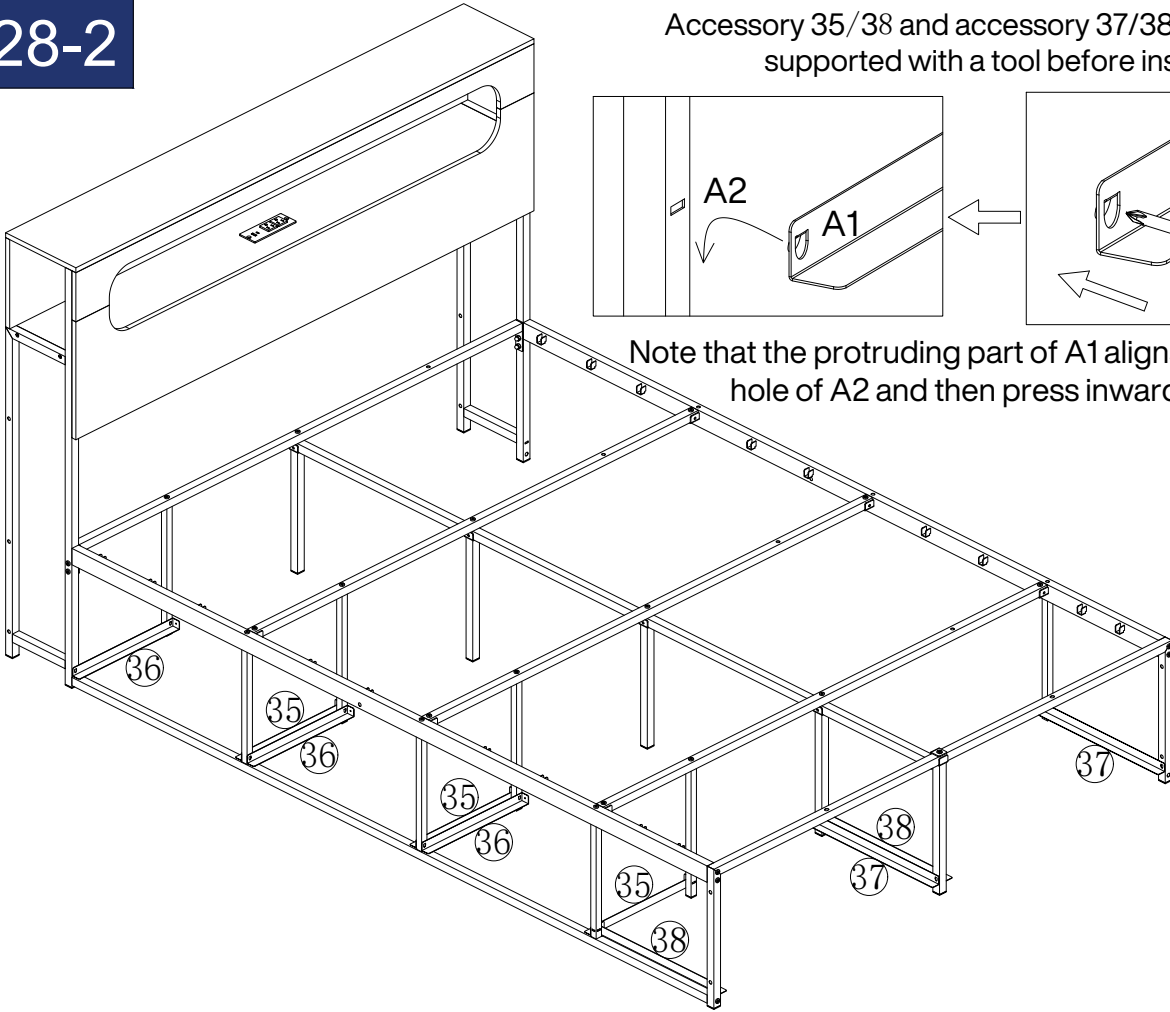


28-2

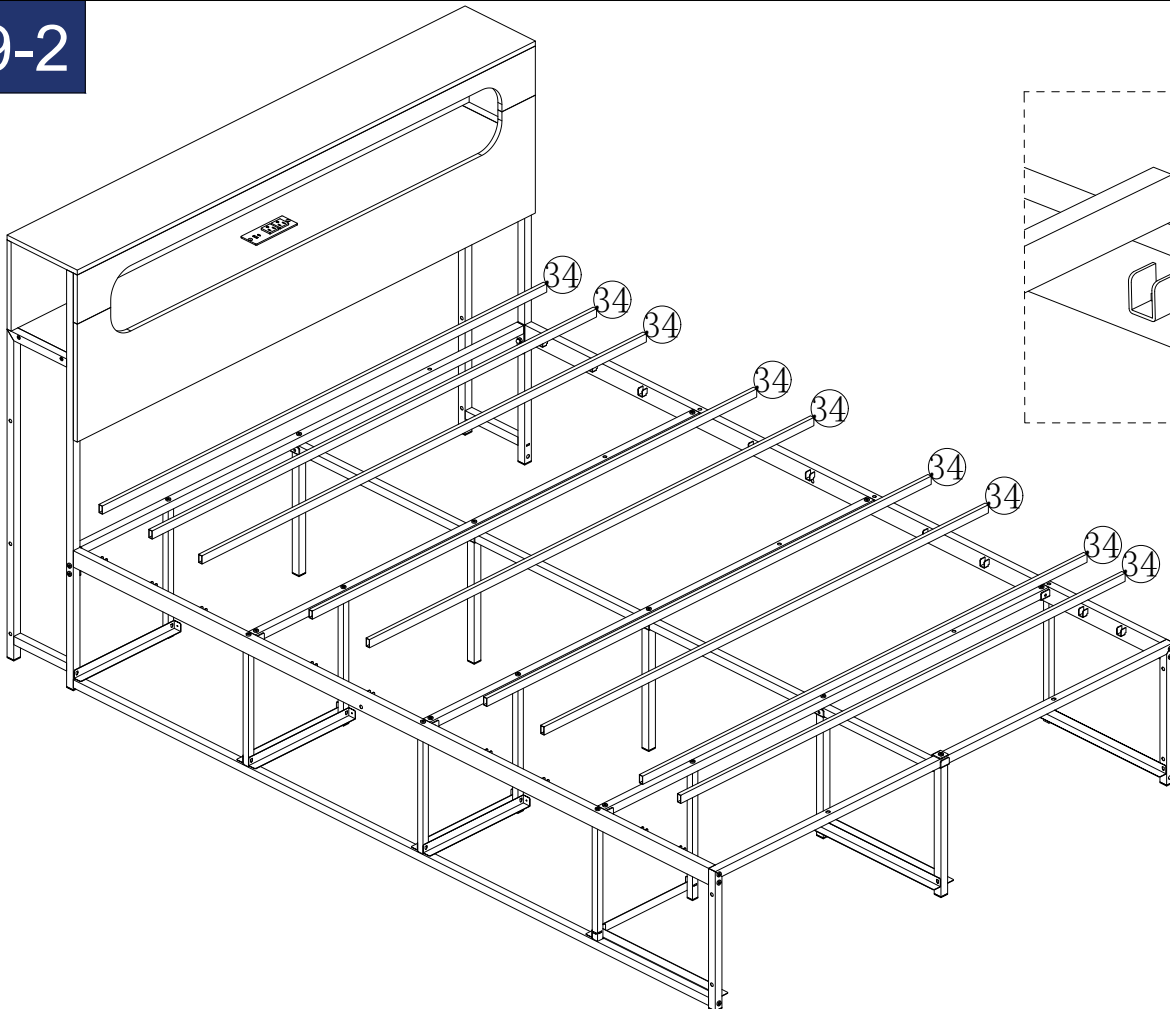
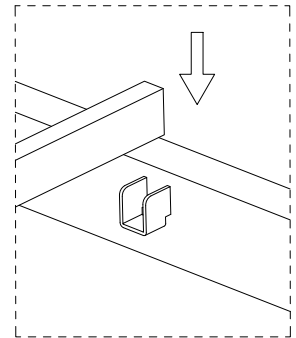
Accessory 35/38 and accessory 37/38 must be supported with a tool before installation.



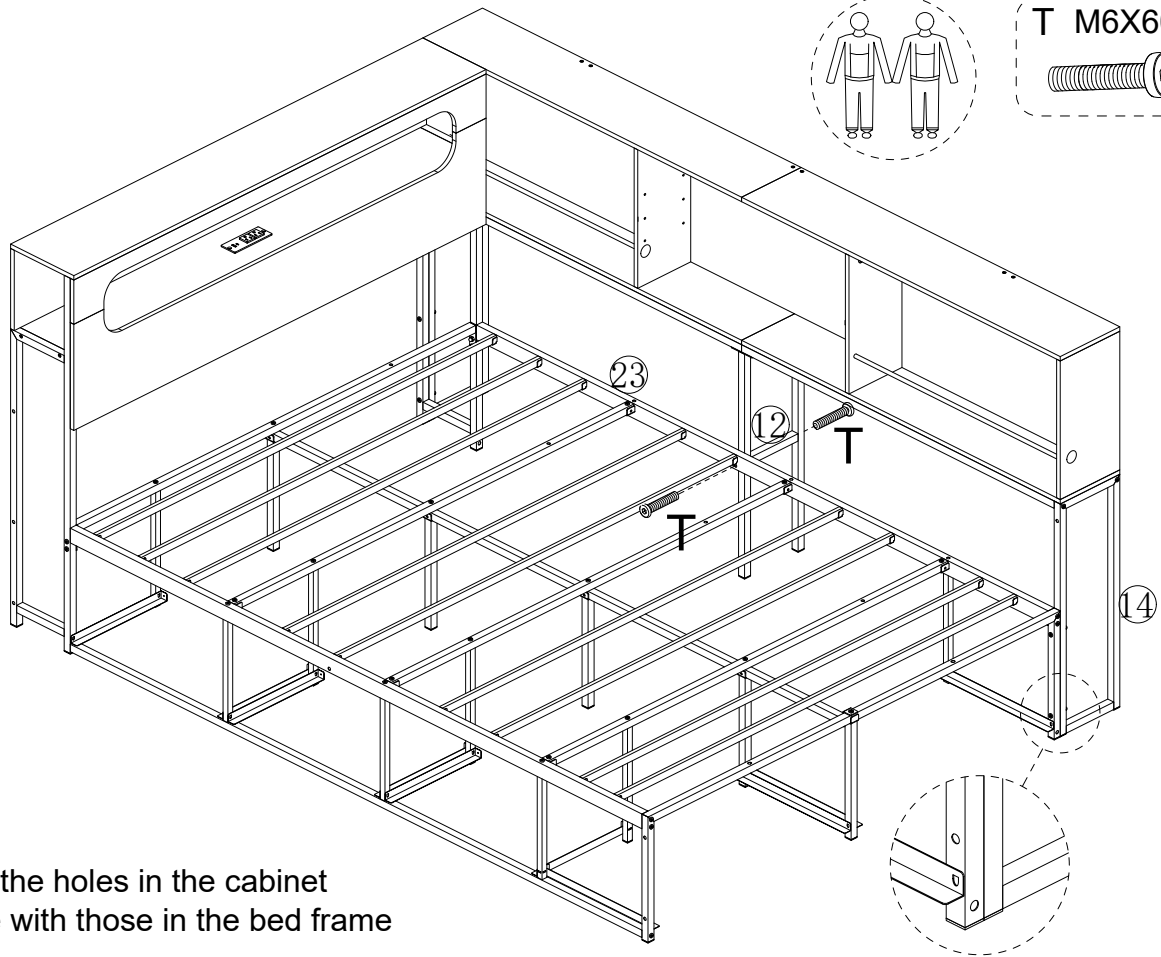
Note that the protruding part of A1 aligns with the square hole of A2 and then press inward and downward.



29-2

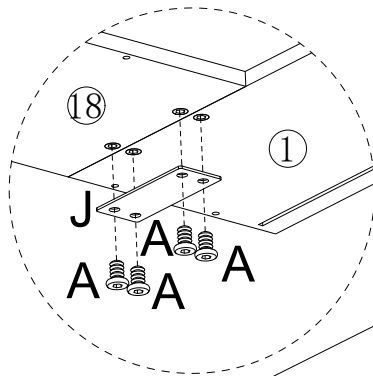


30-2



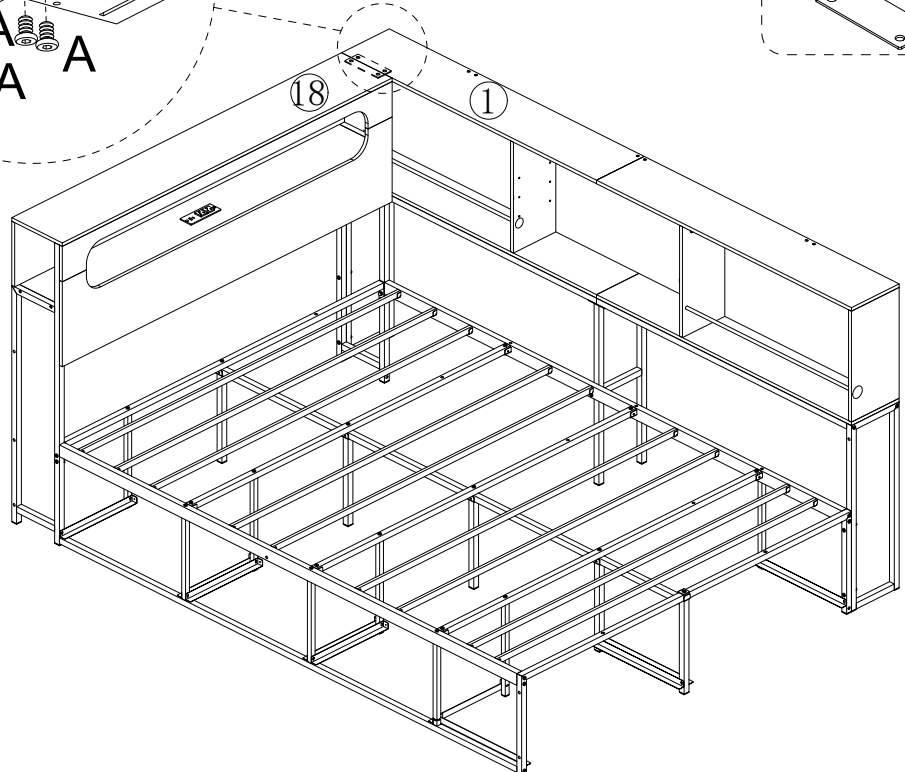
Align the holes in the cabinet frame with those in the bed frame

31-2

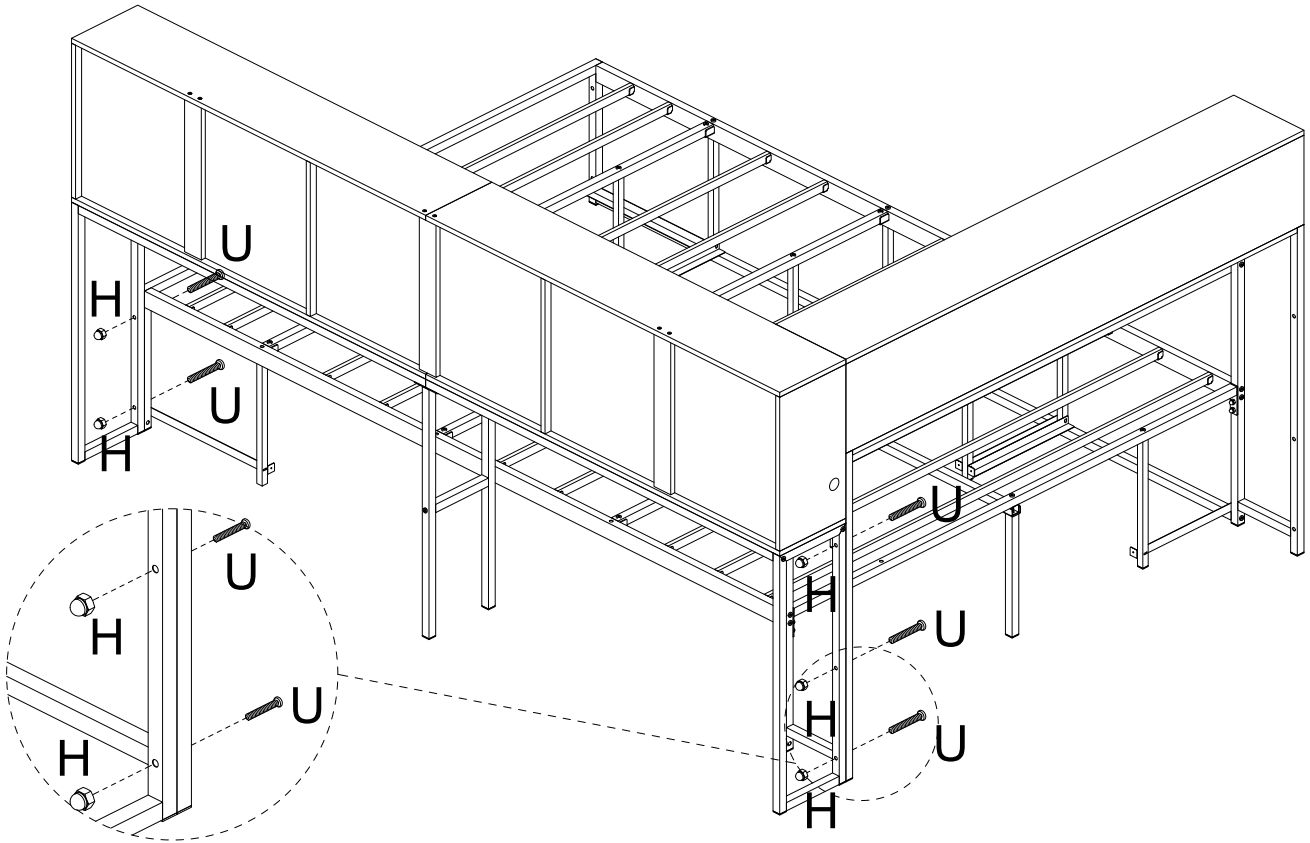
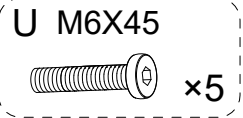
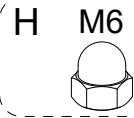


A M6X10
×4

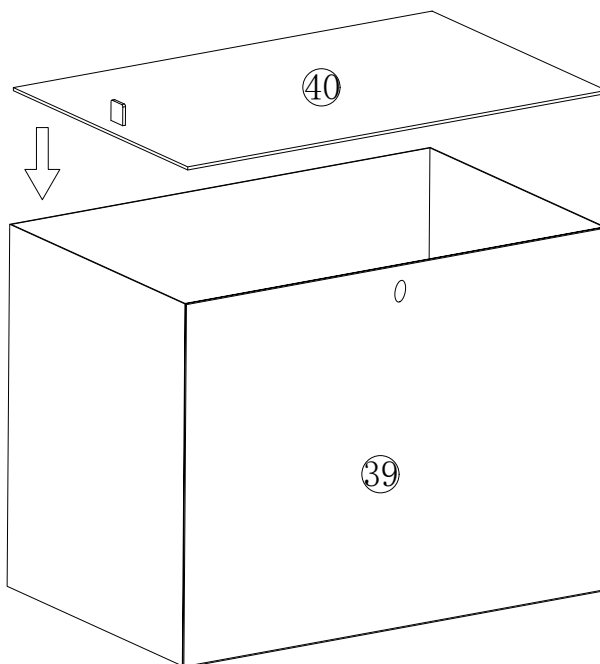
J 100X40
×1



32-2

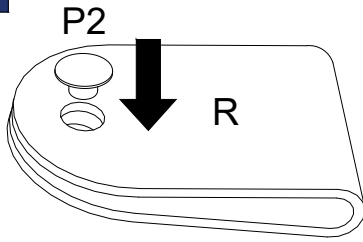


33-2

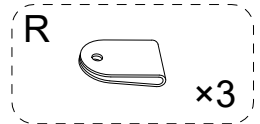
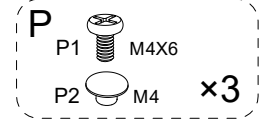
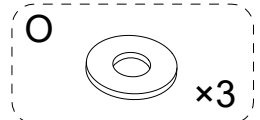
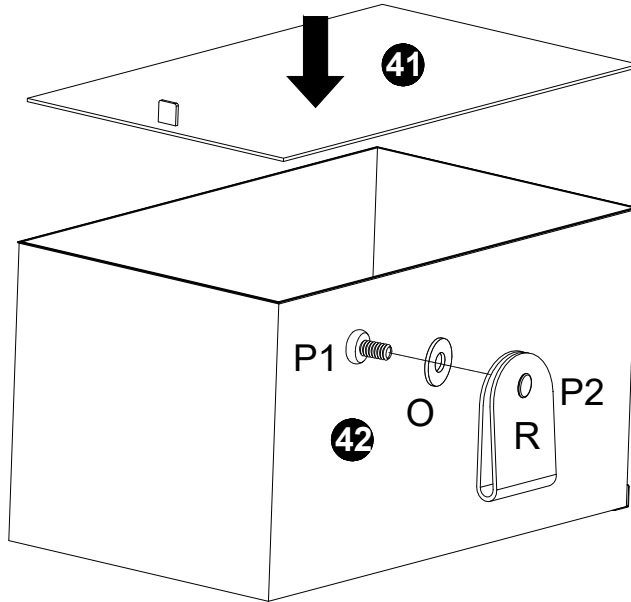


x2

34-2



First, press component P2 into component R by hand

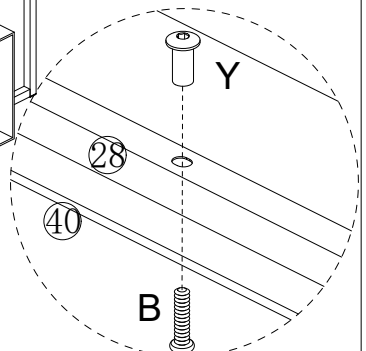
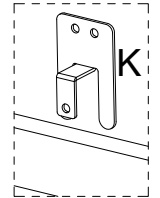
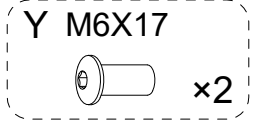
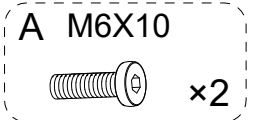
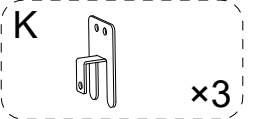
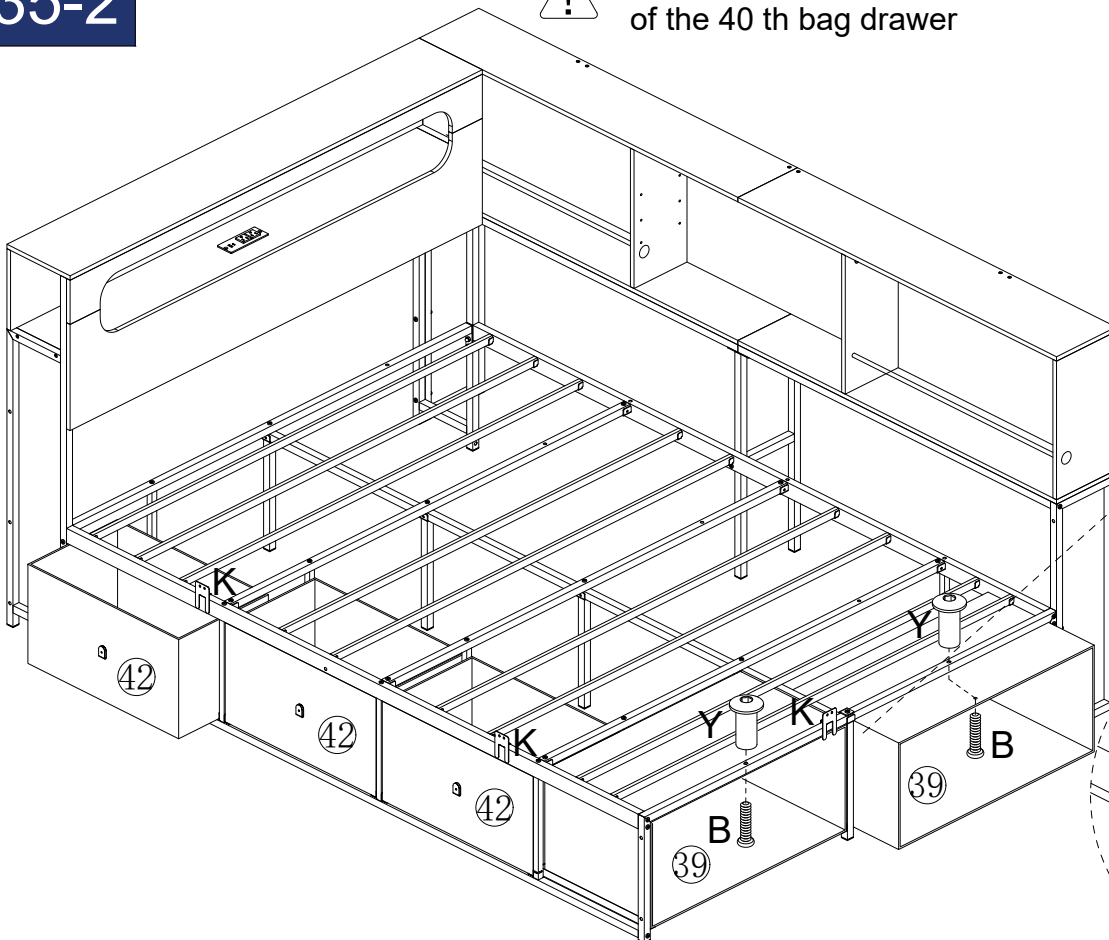


x3

35-2



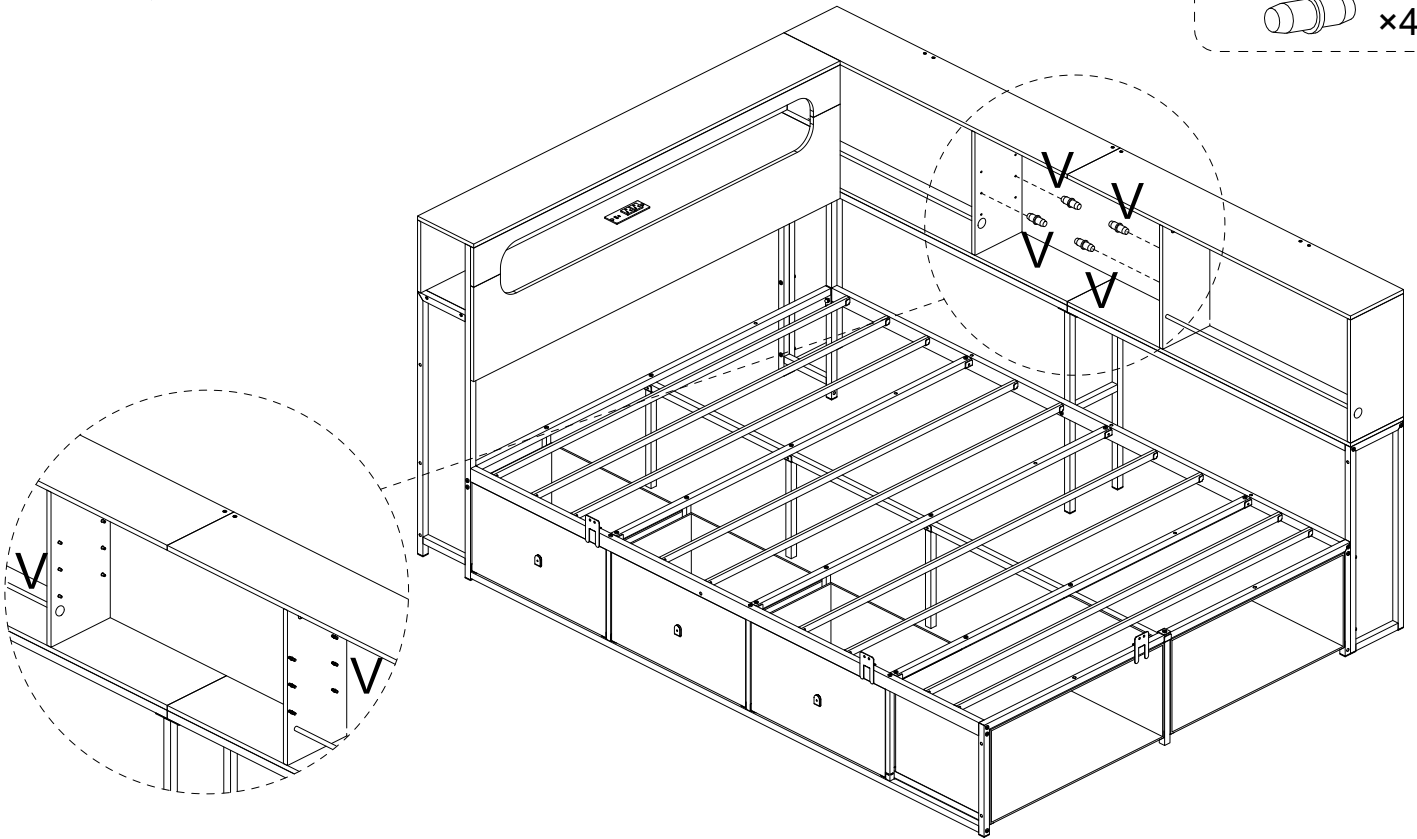
Pay attention to the opening direction of the 40 th bag drawer



36-2

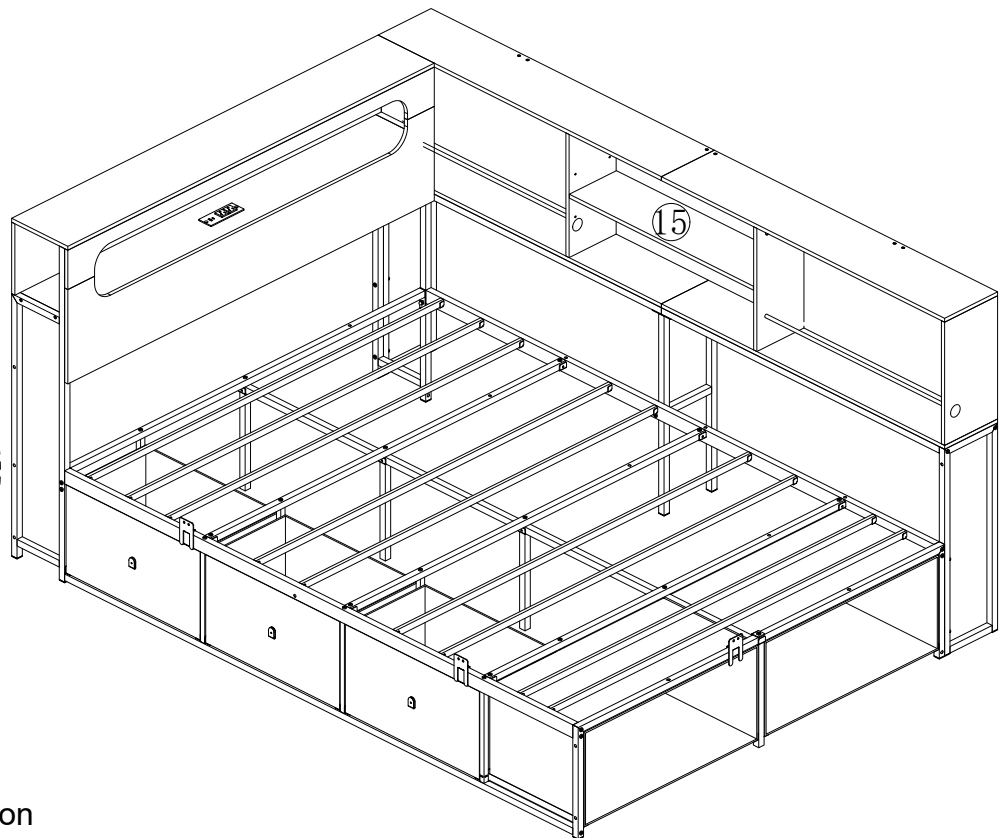
V Ø5X16

×4

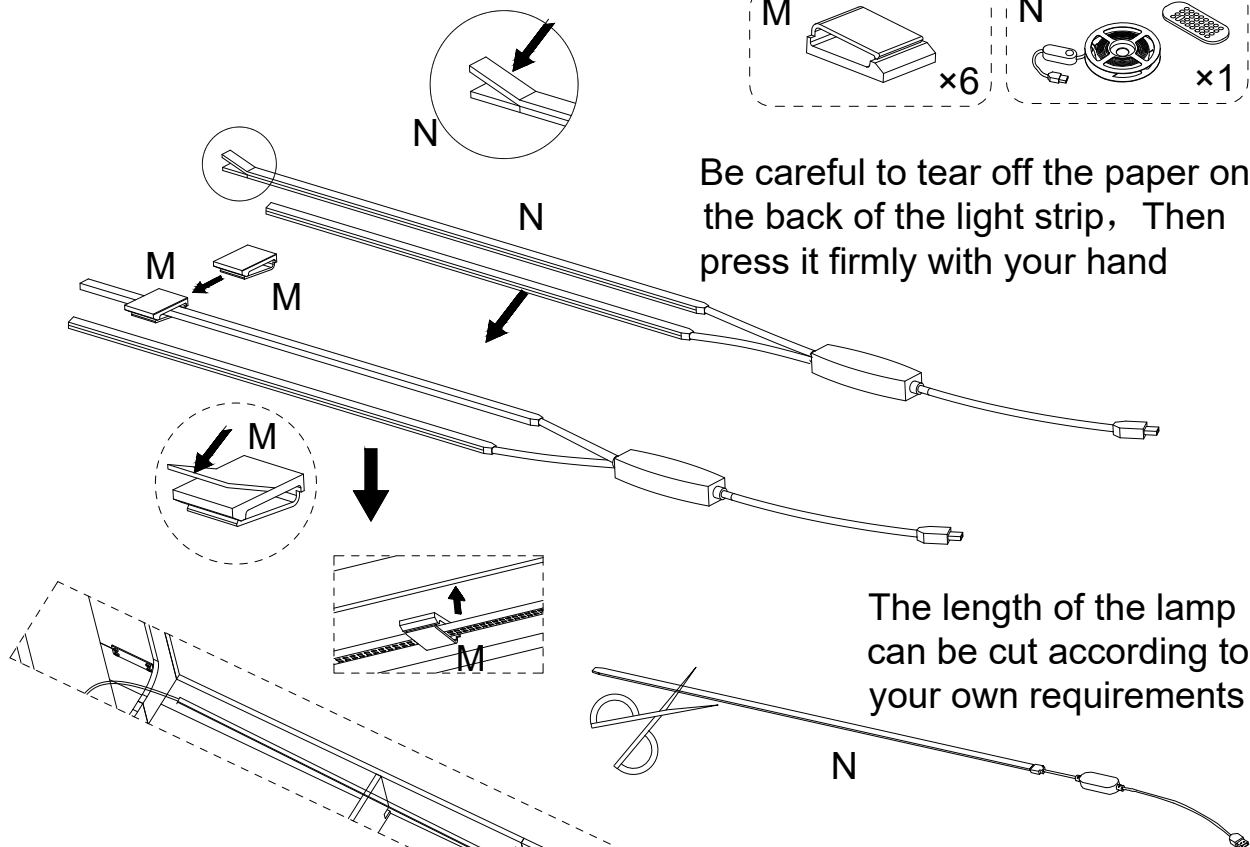
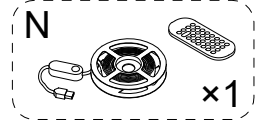
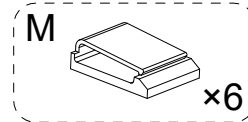


! You can adjust the position according to your needs

37-2



! You can adjust the position according to your needs



Be careful to tear off the paper on the back of the light strip, Then press it firmly with your hand

The length of the lamp can be cut according to your own requirements

