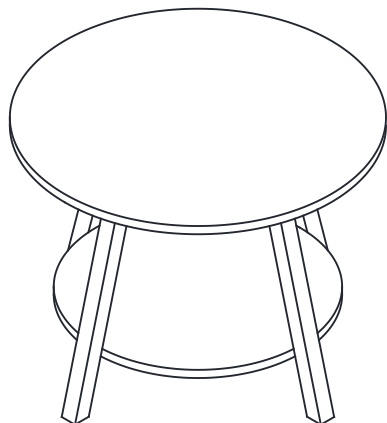


SIDE TABLE

Assembly Instructions - Please keep for future reference

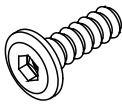
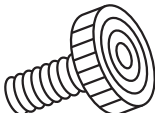
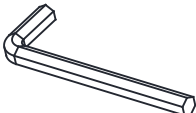
Item No. 30004



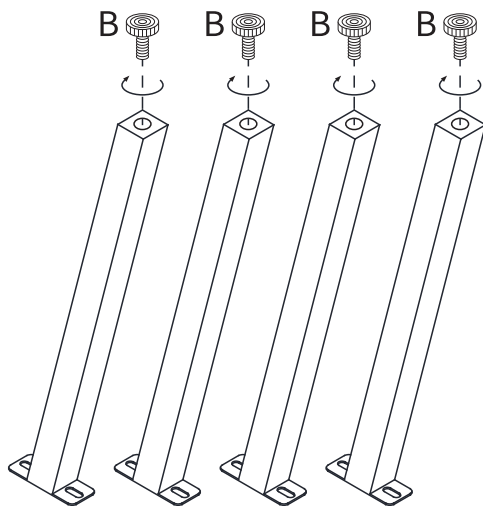
IMPORTANT SAFTY NOTICE: READ CAREFULLY BEFORE ASSEMBLY!

- Always use propre tools.
- Be sure to check all packing materials carefully for small parts may have come loose inside the carton during the shipment.
- Please assemble as the instructions show. The rest of the hardwares are spare parts.
- Periodicall check to ensure that all hardwares are right.

PART LIST:

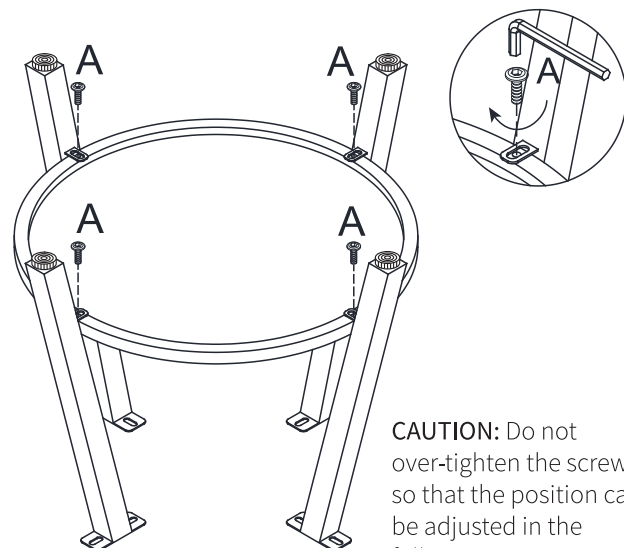
		
A: M6x8mm Screws 12 PCS	B: Feet Levelers Screws 4 PCS	C: 4# Allen Key 1 PCS

1



Install the Part B into the bottom of the legs.

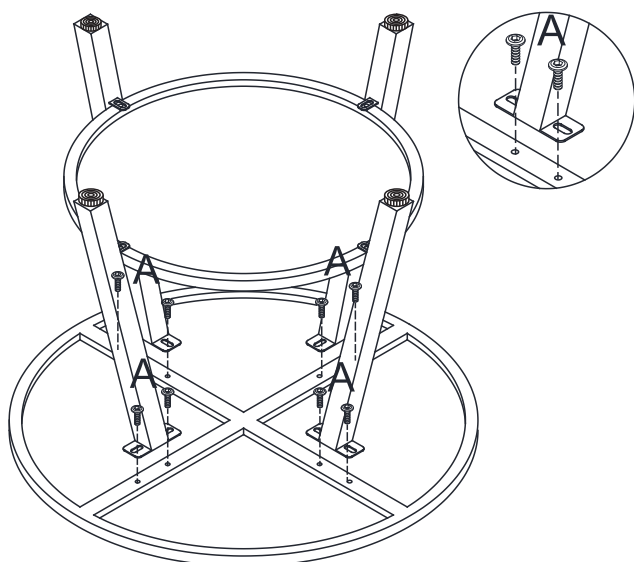
2



CAUTION: Do not over-tighten the screws so that the position can be adjusted in the following steps

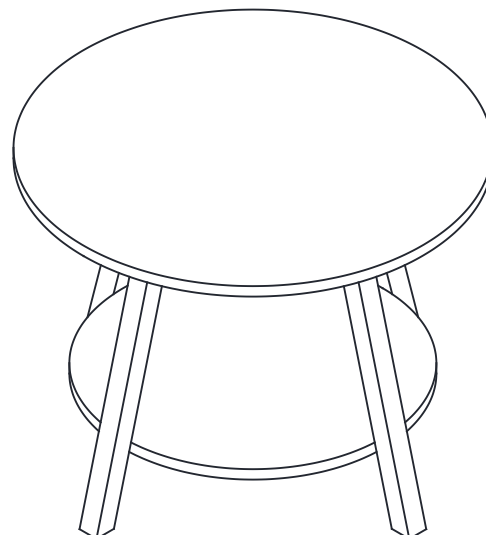
Install 4 legs to the small tabletop with Part A

3



Install 4 legs to the large tabletop with Part A

4



Check and tighten the screws, adjusting the feet levelers