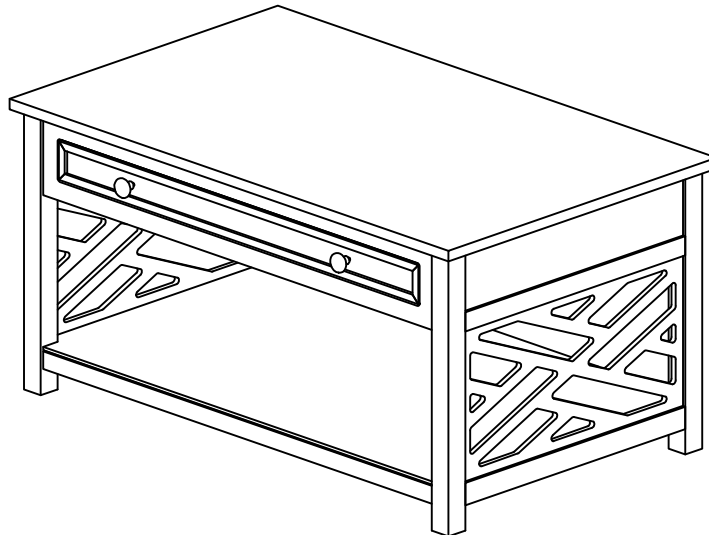


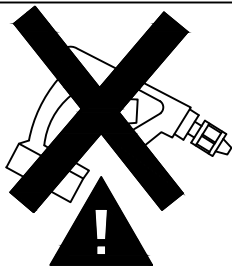
ASSEMBLY INSTRUCTION

COFFEE TABLE WITH DRAWER

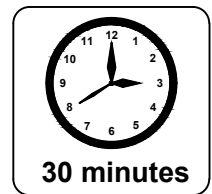
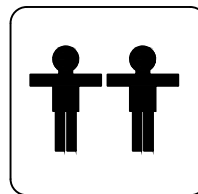


REPLACEMENT PARTS

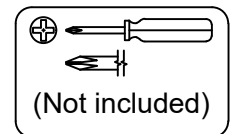
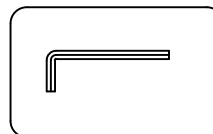
Please do not contact the company purchased from as we can help you faster.
Order replacement parts and hardware at " www.boltonfurniture.com "



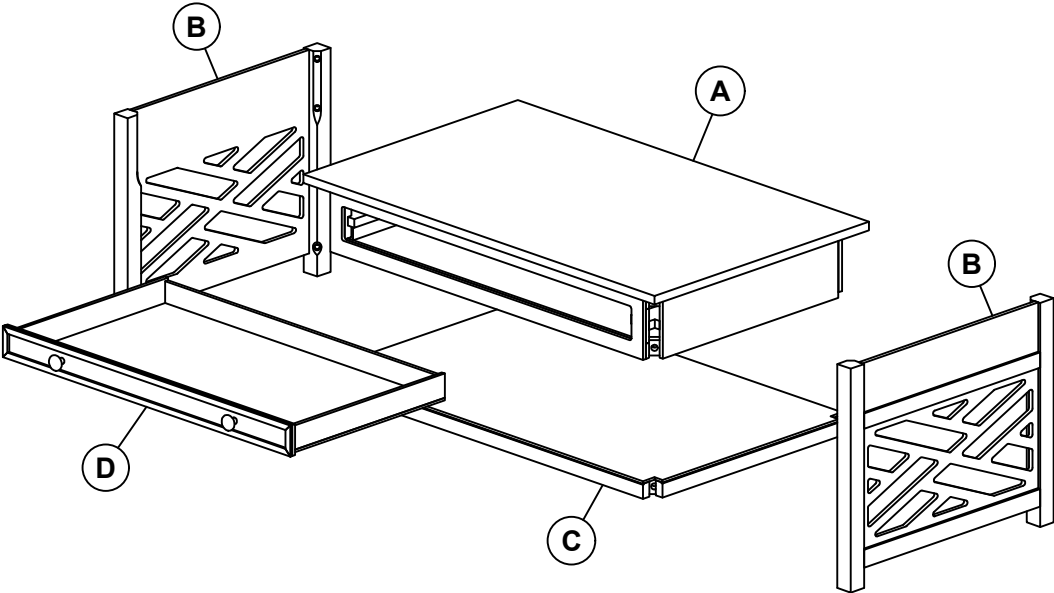
- . Use of power tool to assemble this product will invalidate any claim and damage this product making it unsafe !!!
- . Please assemble on a clean soft surface to avoid damage.




Tools Required

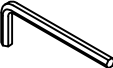


Part list - Coffee Table

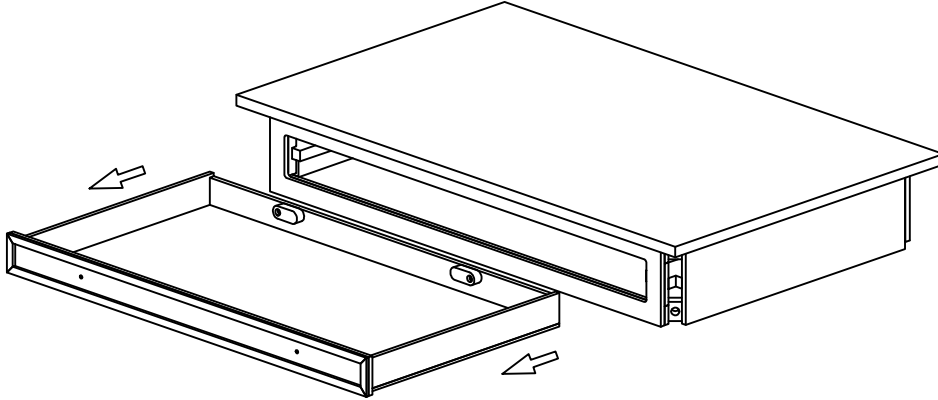


Identifying the hardware-Identify the hardware using the illustrations below

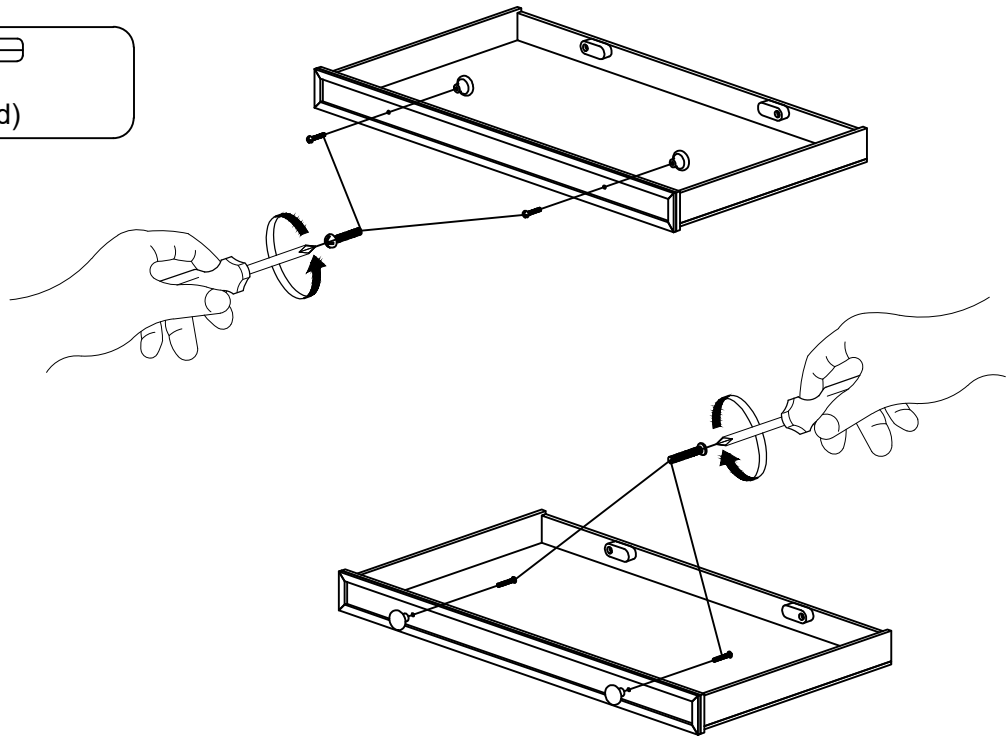
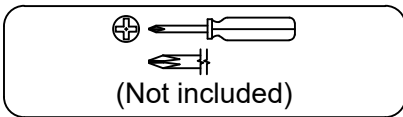
E  **12**
M6x45MM BOLT

F  **01**

Step 01




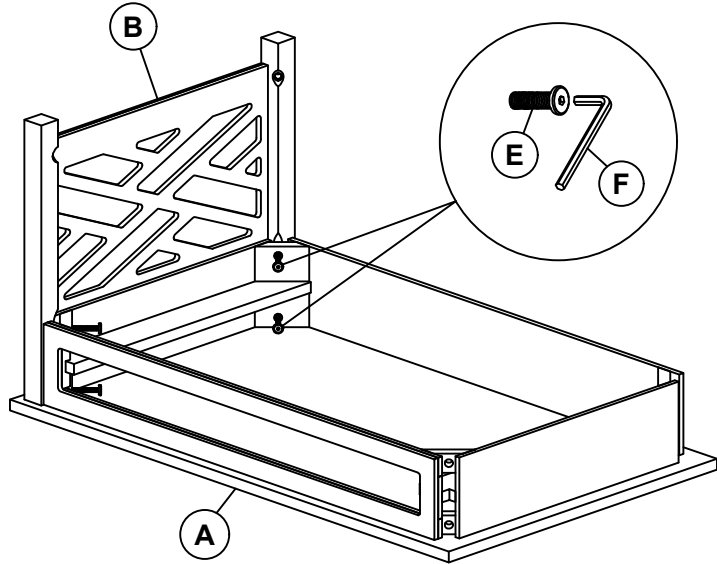
Step 02



Step 03

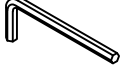
E  **04**
M6x45MM BOLT

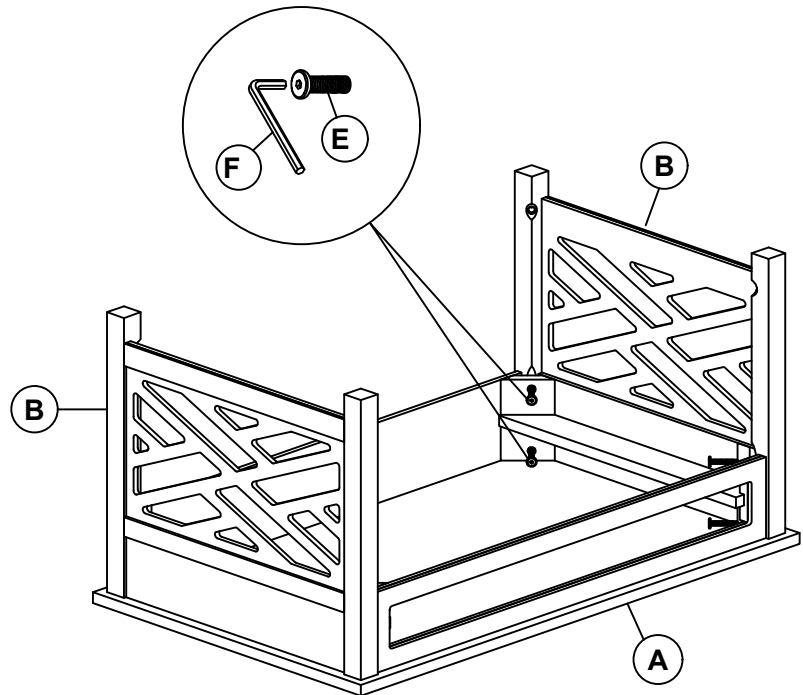
F  **01**



Step 04

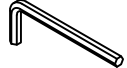
E  **04**
M6x45MM BOLT

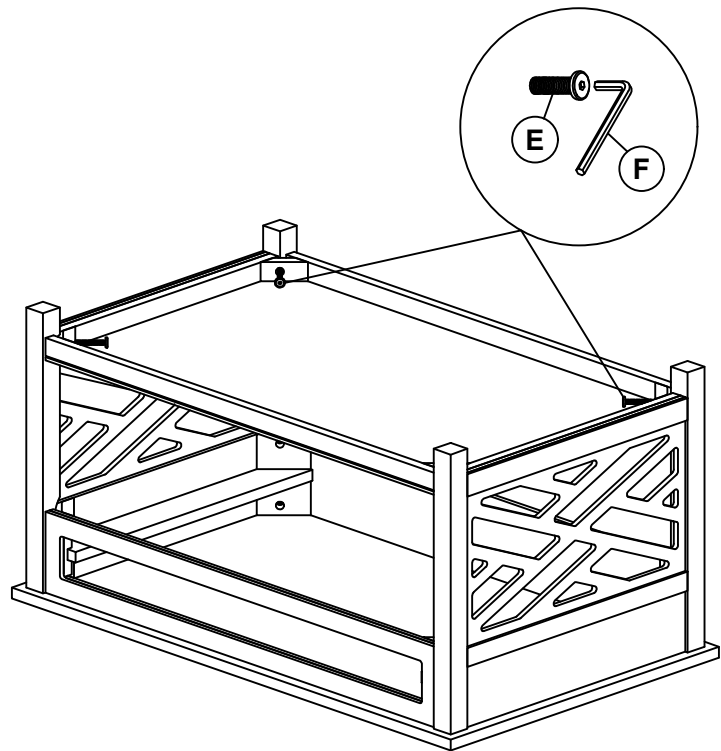
F  **01**



Step 05

E  **04**
M6x45MM BOLT

F  **01**



Step 06

