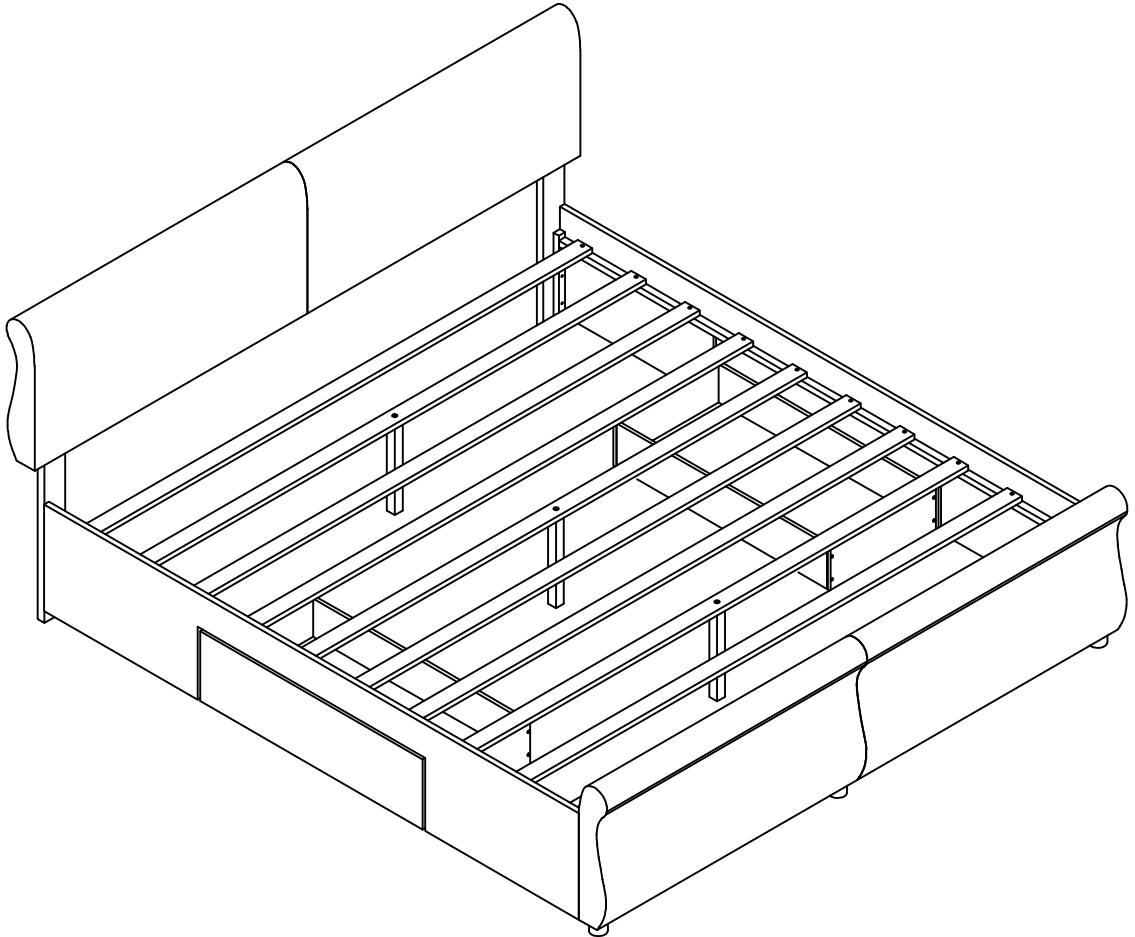


ASSEMBLY INSTRUCTION

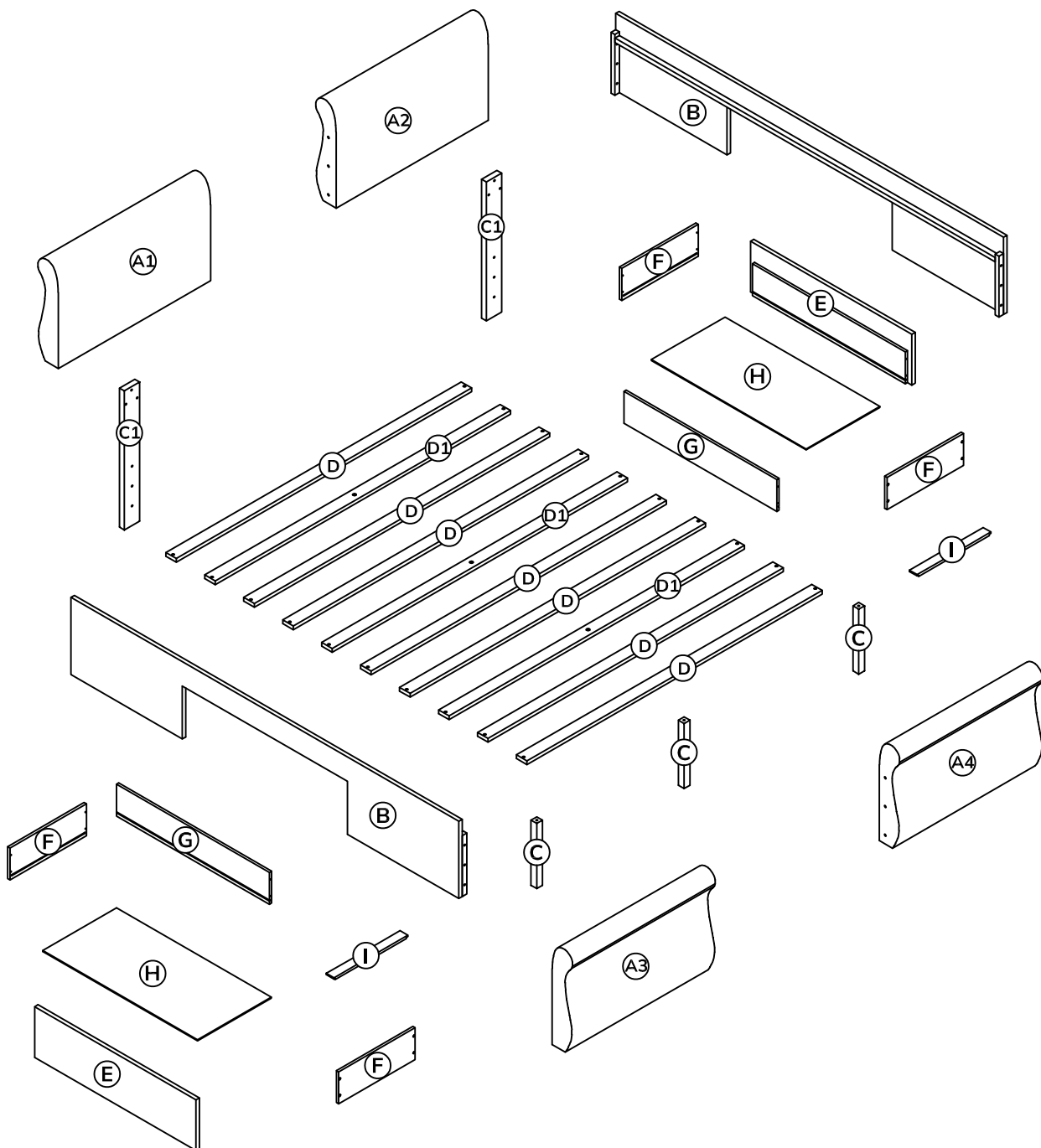
SKU CODE: (WF295276-WF295277)



! SAFETY WARNINGS !

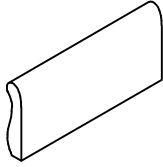
1. This bed is designed for use Queen Mattress 80 inch Long and 60 inch Wide
2. Always use the recommended size mattresses or mattress supports, or both, to help prevent the likelihood of entrapment or falls.
3. Do not allow horseplay on or under the bed and prohibit jumping on the bed
4. Do not use substitute parts. Contact the manufacturer or dealer for replacement parts.
5. Keep these instructions for future reference

ASSEMBLY INSTRUCTION



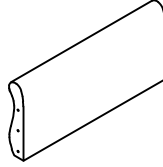
Part List (WF295276)

A1



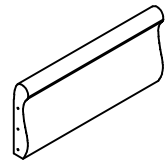
HB Frames Left - 1pcs

A2

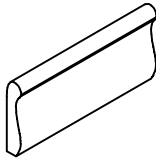


HB Frames Right - 1pcs

A3

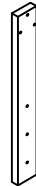


A4



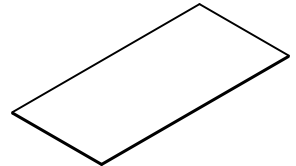
HB Frames Left - 1pcs

C1



Legs Front - 2pcs

H



Drawers - Bottom Panel - 2pcs

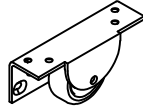
Hardware List (WF295279)

1



Plastic Feet(50x40)
2pcs

2



Wheels 8pcs

3



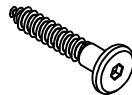
M4 x 15 mm
Wood Screws 20pcs

4



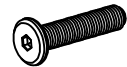
M4 x 30 mm
Wood Screws 36pcs

5



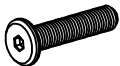
1/4" x 40 mm
Wood Screws 12pcs

6



1/4" x 40 mm
Hex-Head bolts 6pcs

7



1/4" 30mm
Hex-Head bolts 9pcs

8



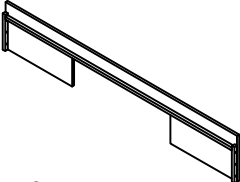
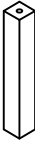
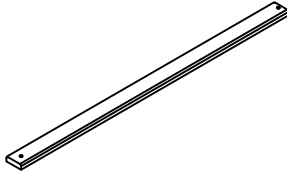
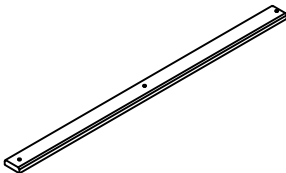
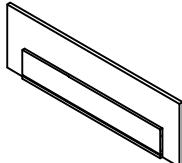
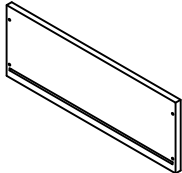
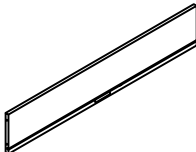
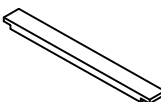
Allen Key 2pcs

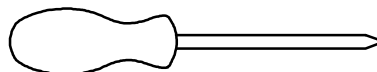
9



Sleeve Nut 6pcs



Part List (WF295277)

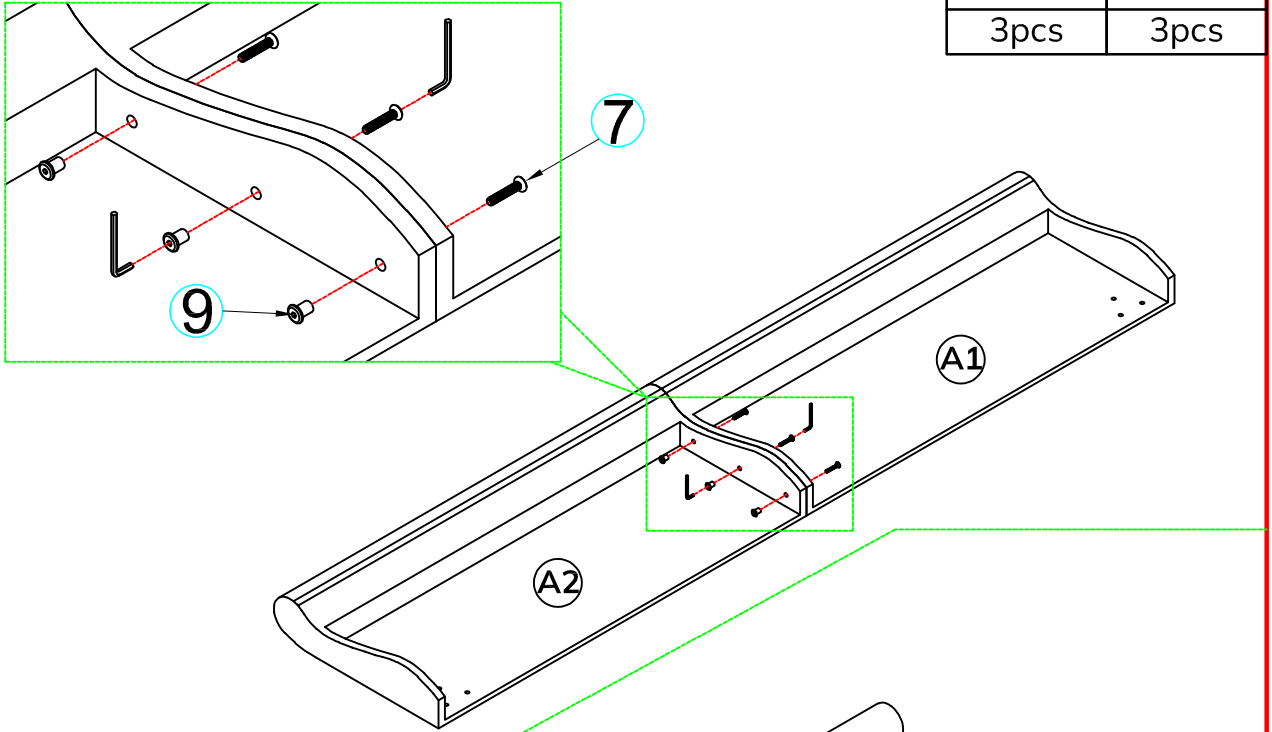
B  Side Panels - 2pcs	C  Support Leg - 3pcs	D  Slats - 7pcs
D1  Slats Mount Leg- 3pcs	E  Drawers - Font Panels - 2pcs	F  Drawers - Side Panels - 4pcs
G  Drawers - Back Panel - 2pcs	I  Drawers - Support Bottom - 2pcs	




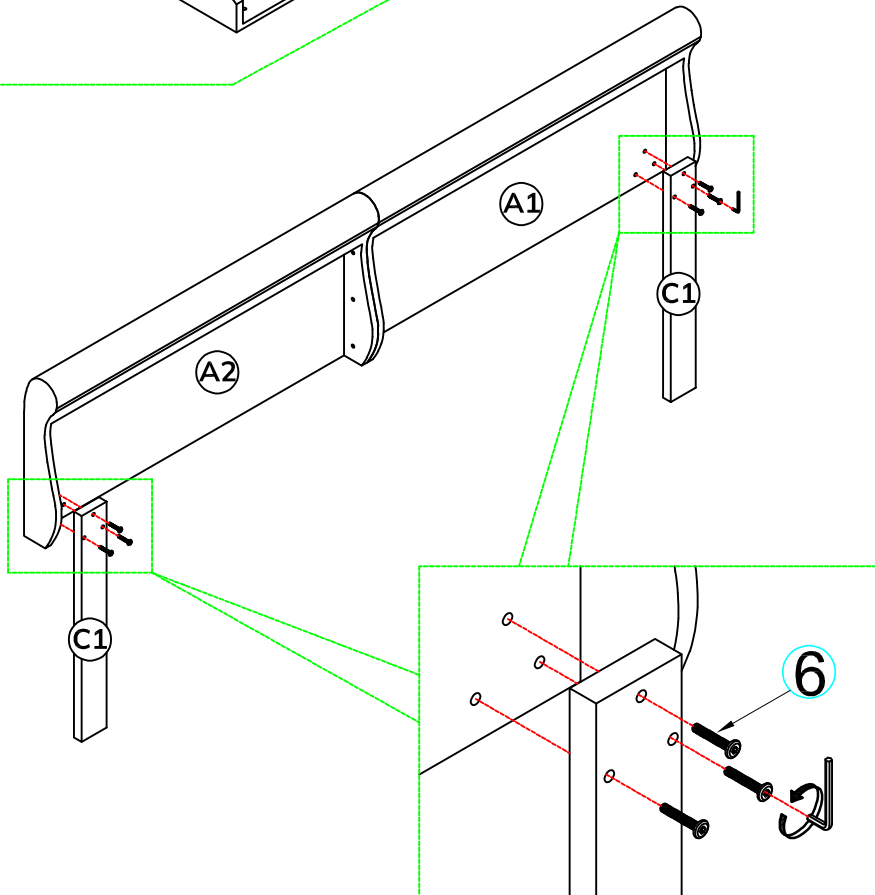
Assembly Tools Required (Not Included)

STEP 1: Following below illustration:




9 	7 
3pcs	3pcs

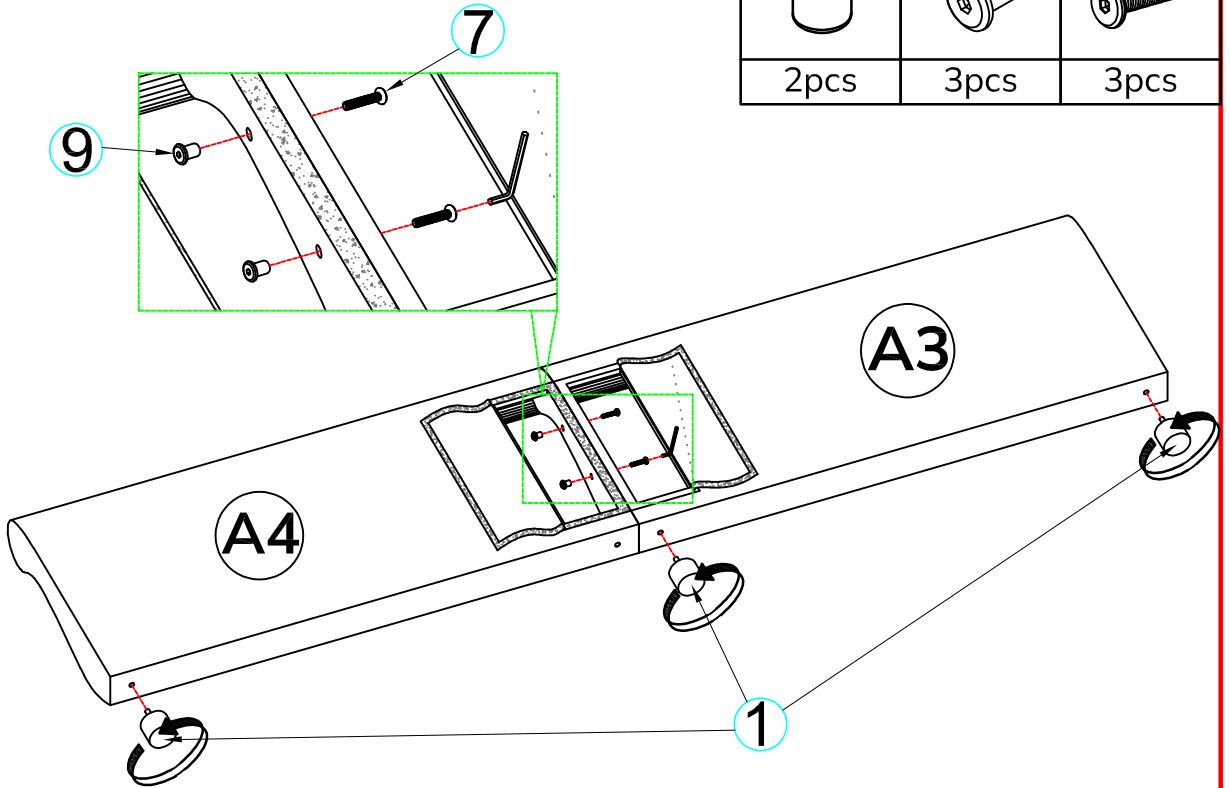


6 
6pcs



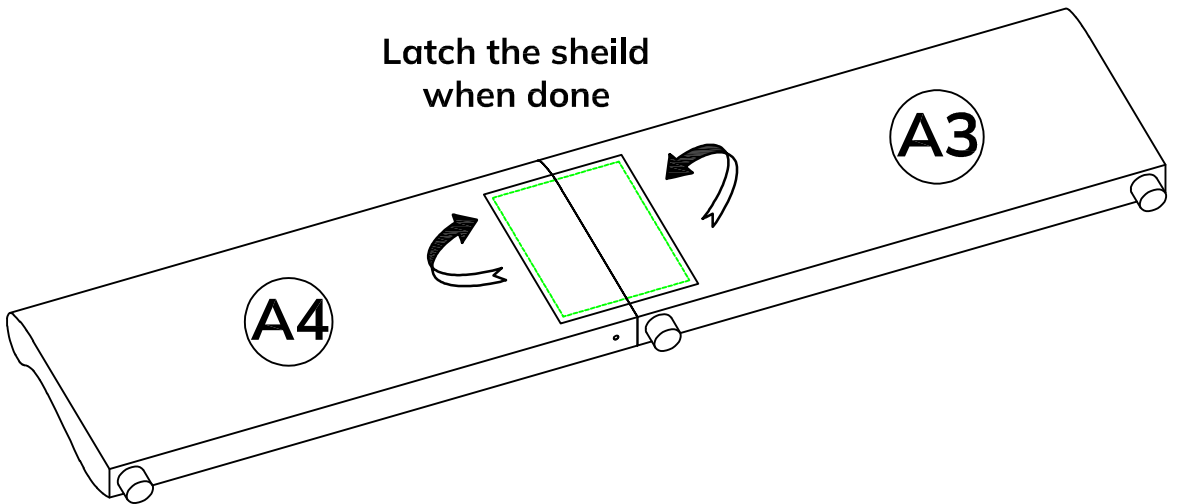
STEP 2: Following below illustration:

1	9	7
		
2pcs	3pcs	3pcs

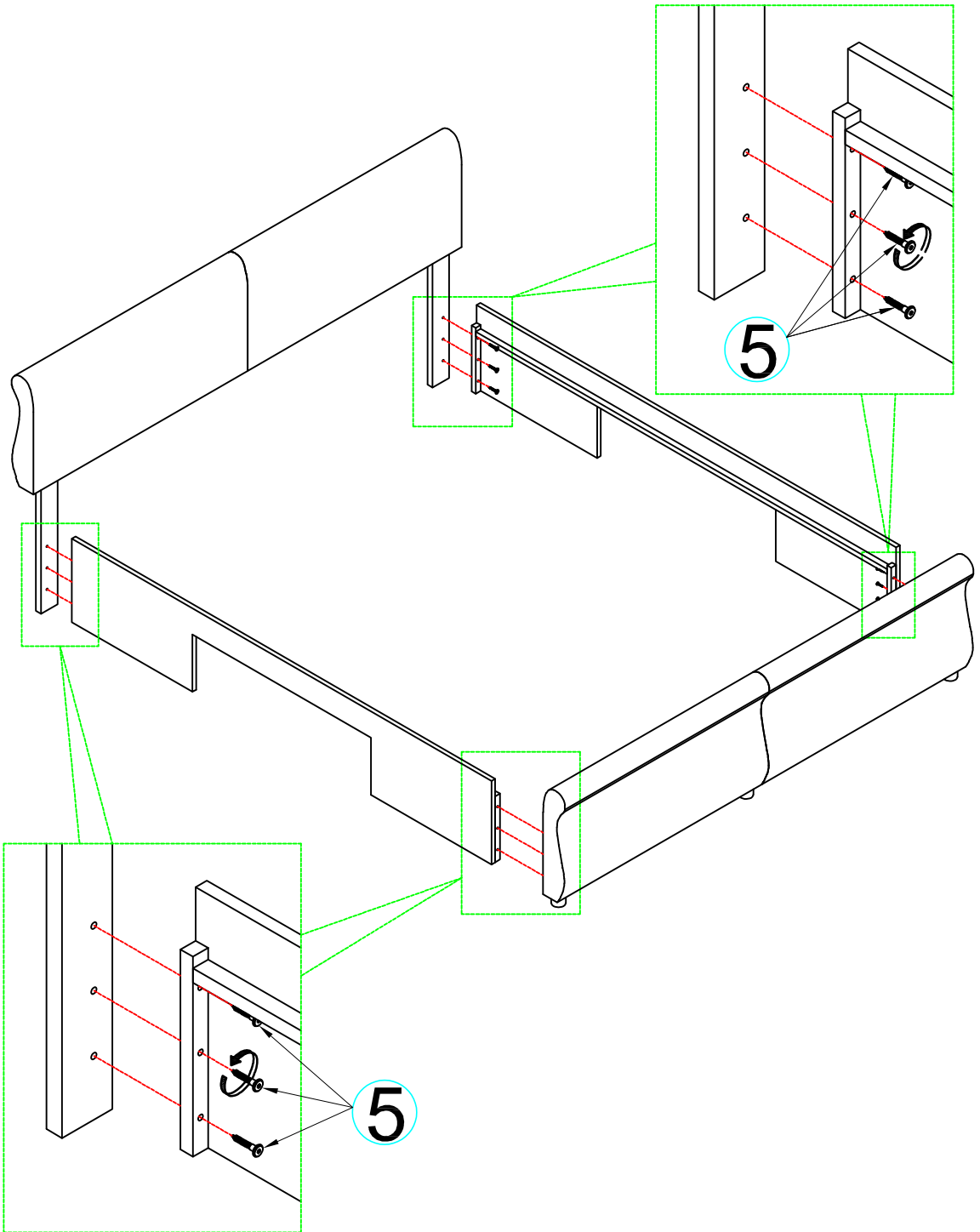
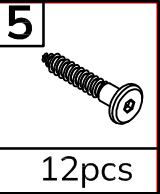


STEP 2: Following below illustration:

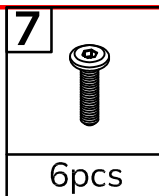
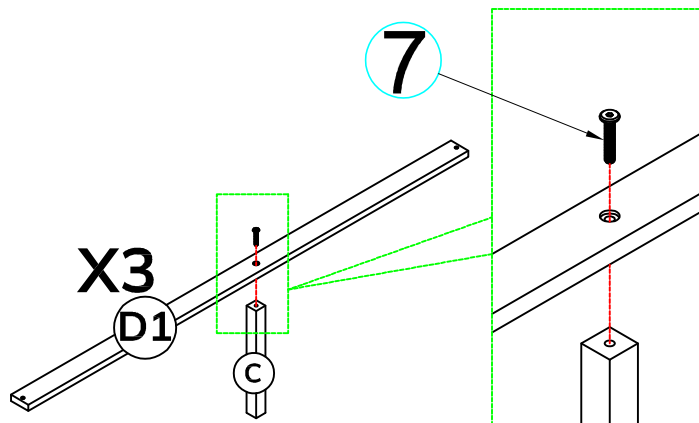
Latch the sheild
when done



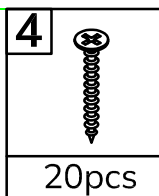
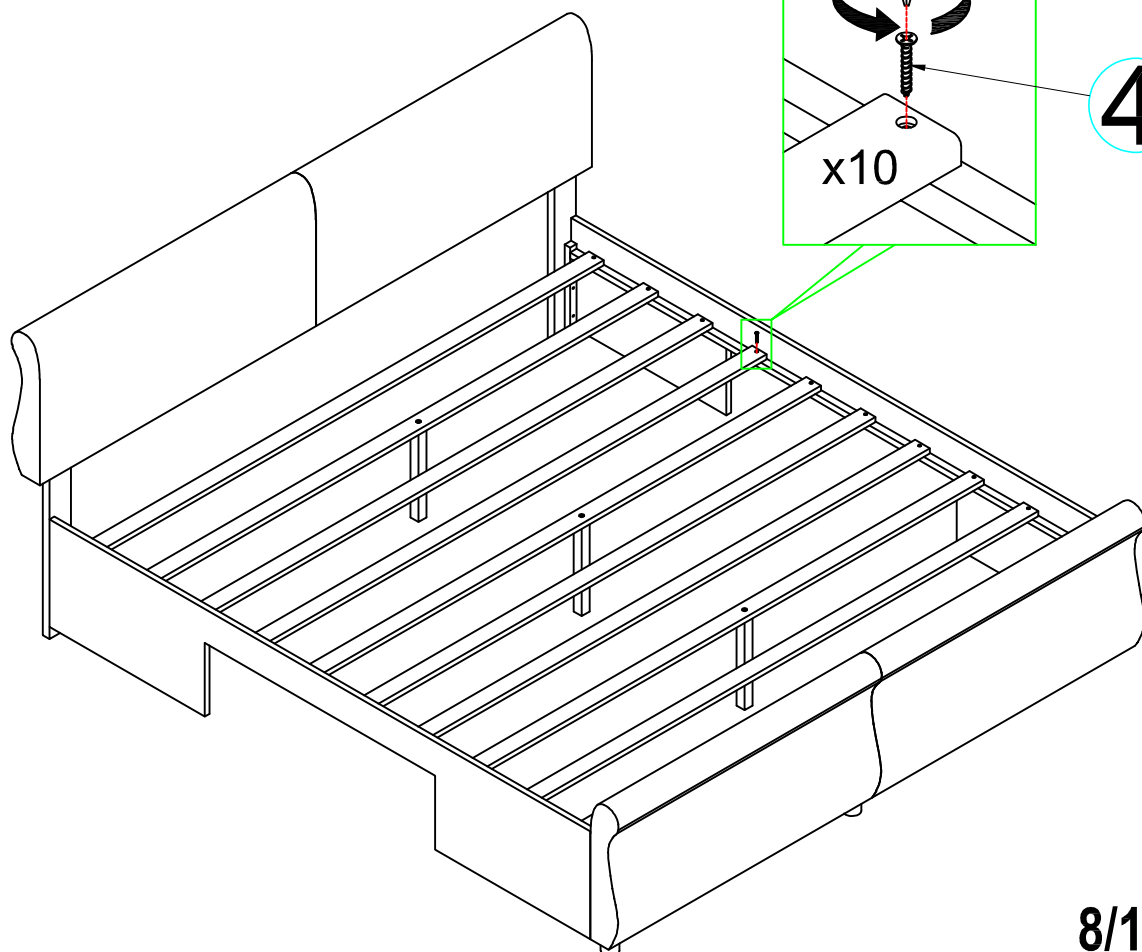
STEP 3: Following below illustration:



STEP 4: Following below illustration:




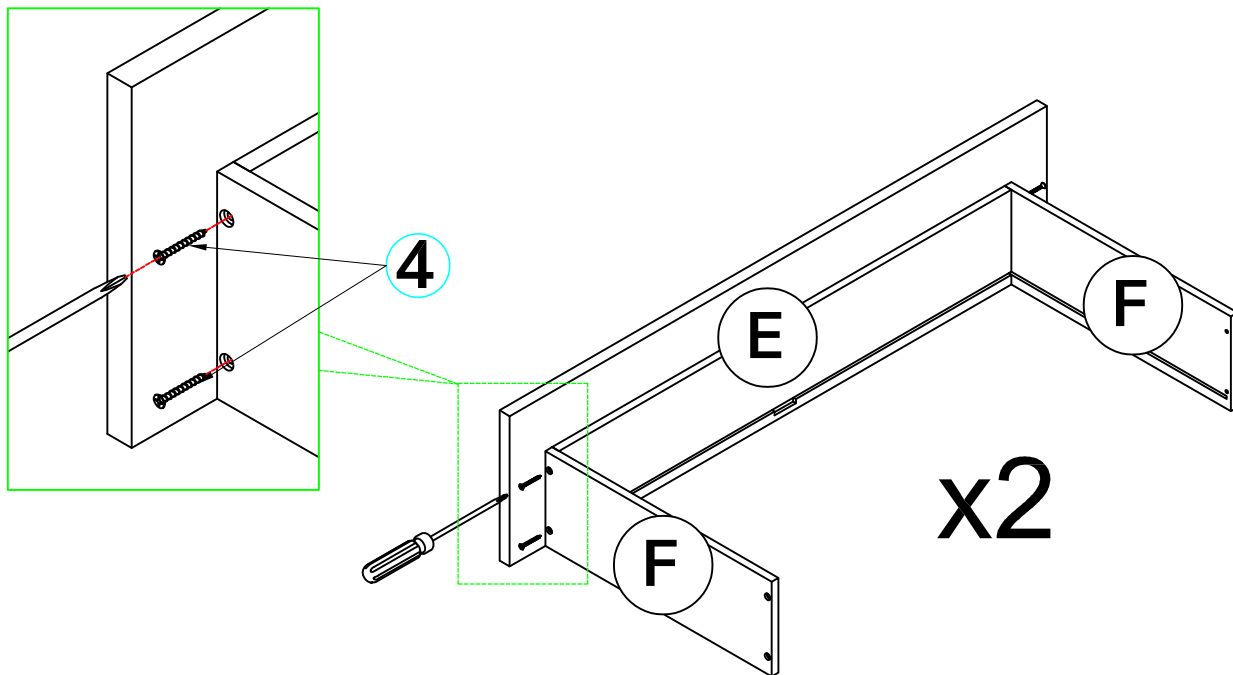
STEP 4-1: Following below illustration:



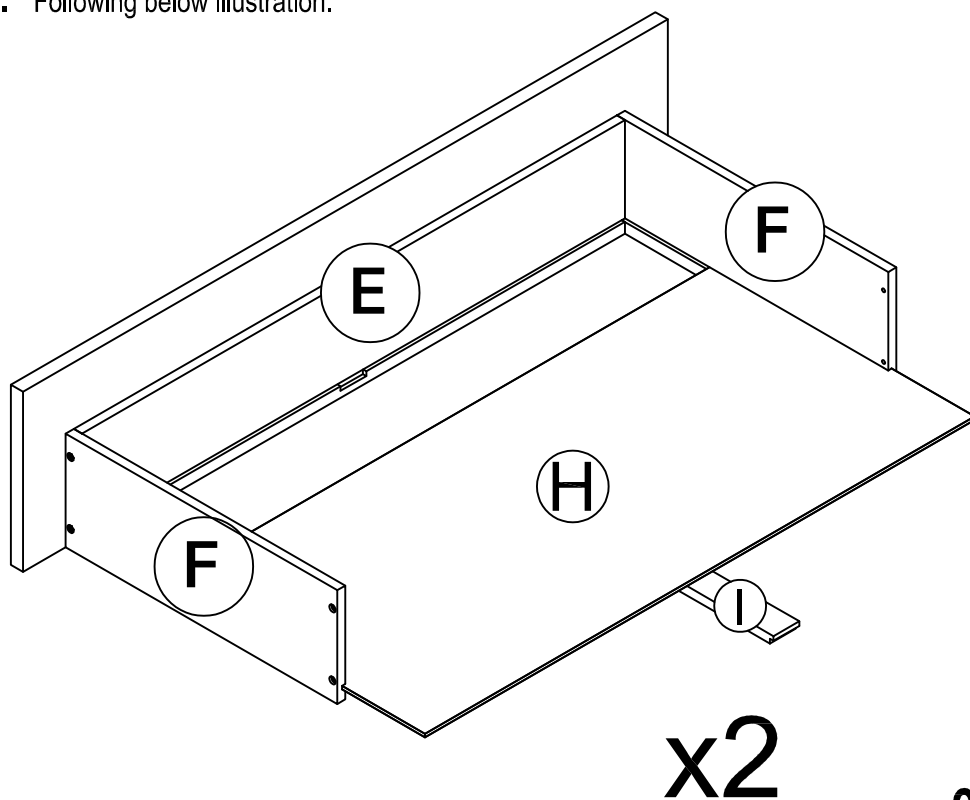
4

STEP 5: Following below illustration:

4	
8pcs	



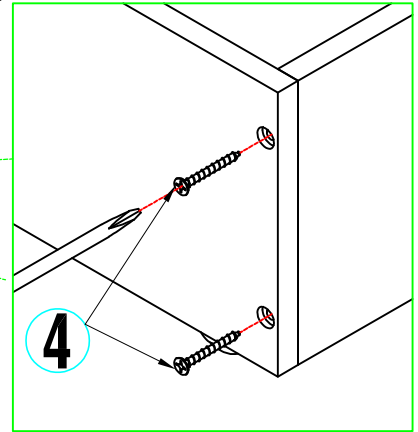
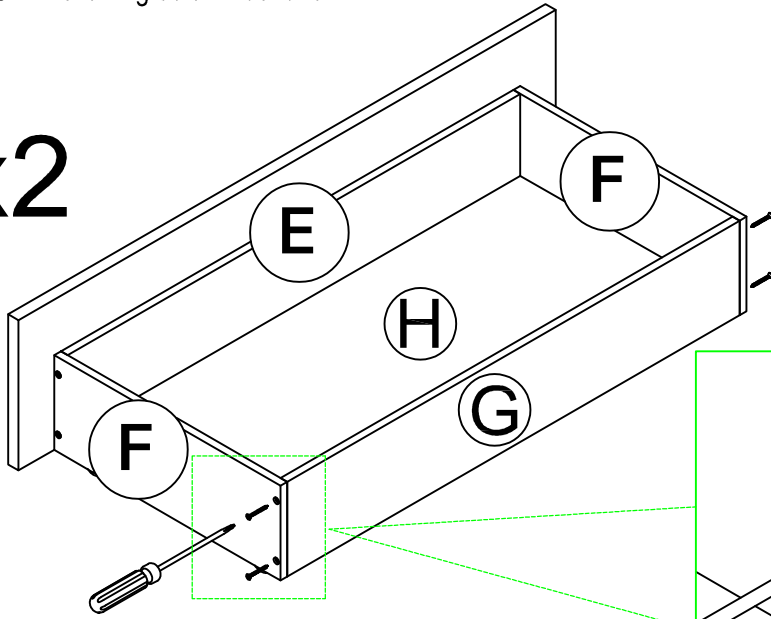
STEP 5-1: Following below illustration:



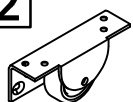

STEP 6: Following below illustration:

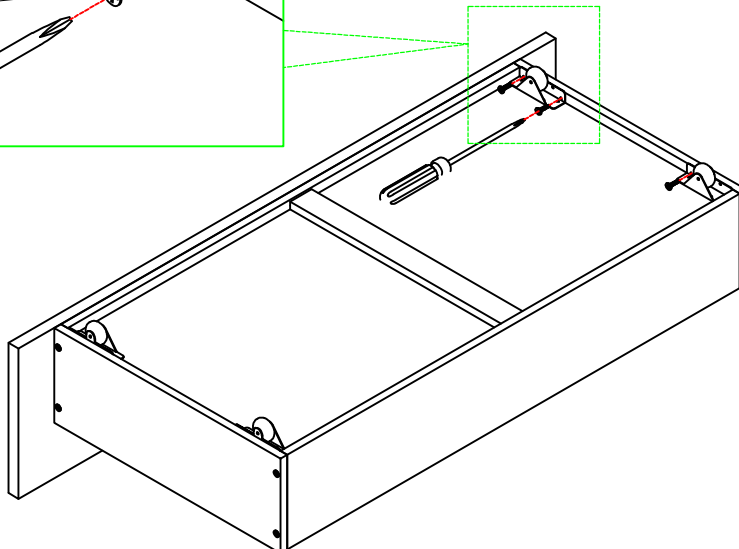
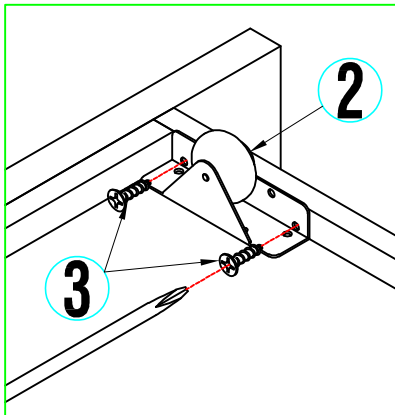
4	
8pcs	

x2



STEP 6-1: Following below illustration:

2		3	
8pcs		16pcs	



x2

FINISH

