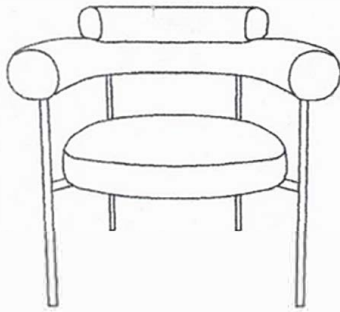


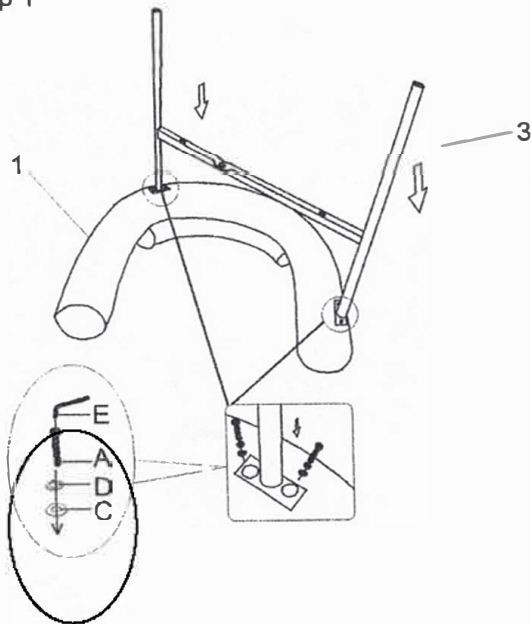
ASSEMBLY INSTRUCTIONS



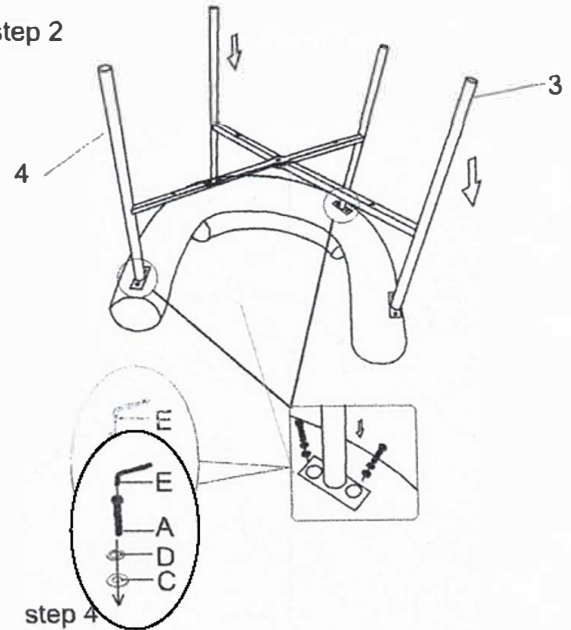
PARTS LIST

NO.	DESCRIPTION	SKETCH	Q'ty	NO.	DESCRIPTION	SKETCH	Q'ty
1	CHAIR BACK		1PC	A	BOLT 1/4*1"		8PCS
2	CUSHION		1PC	B	BOLT 1/4*1-1/2"		5PCS
3	UPPER LEG FRAME		1PC	C	FLAT WASHER		13PCS
				D	SPRING WASHER		13PCS
4	LOWER LEG FRAME		1PC	E	ALLEN WRENCH		1PC

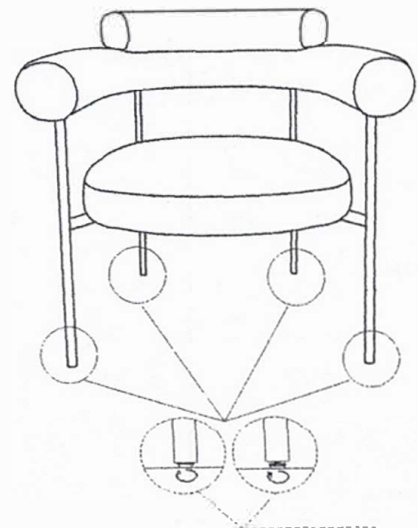
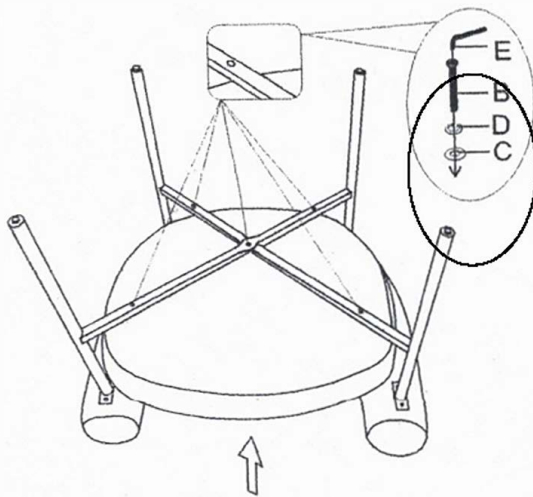
step 1



step 2



step 3



Adjust Pre-installed Levelers height to achieve balance