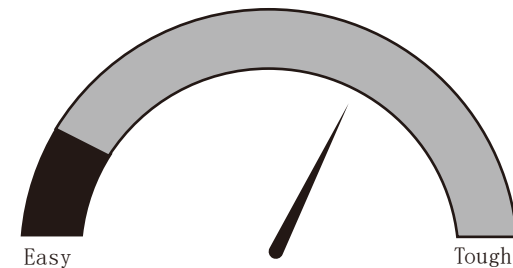


THIS INSTRUCTION BOOKLET CONTAINS IMPORTANT SAFETY INFORMATION. PLEASE READ AND KEEP FOR FUTURE REFERENCE.



WARNING

- Unit can tip over causing severe injury or death.
- Anchor unit to stud in wall (if instructed to).
- Do Not allow children to climb on unit.
- Put heavy items on lower shelves or drawers.

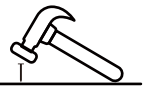
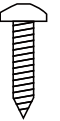


Assembly Difficulty Meter

Helpful Hints

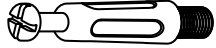

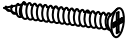

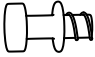


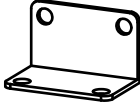
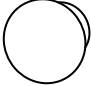
PEOPLE NEEDED FOR ASSEMBLY: 1 - 2
ESTIMATED ASSEMBLY TIME: 1 HOUR

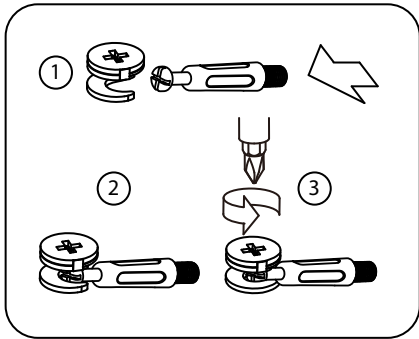
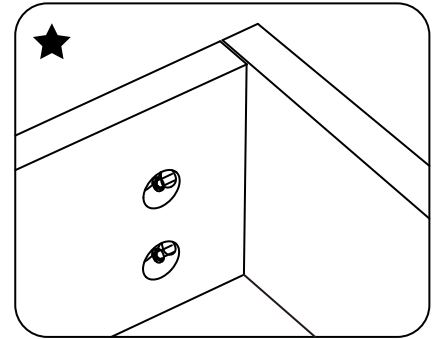
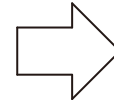
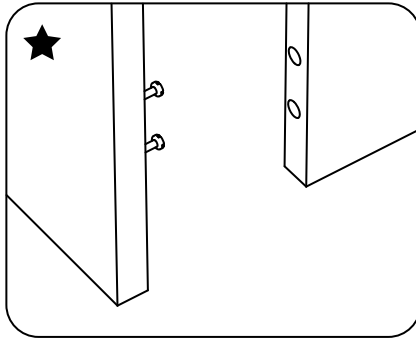
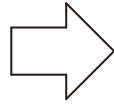
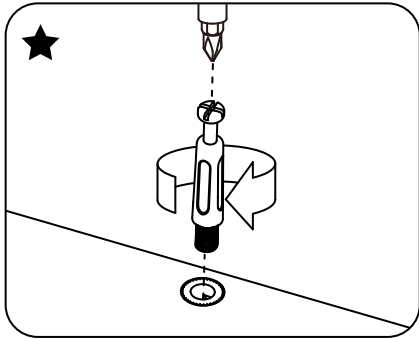
- Open your item in the area you plan to keep it to avoid excessive heavy lifting.
- Identify, sort and count the parts before attempting assembly.
- Compression dowels are lightly tapped in with a hammer.
- Slides are labeled with a R (right) and L (left) for proper placement.
- Make sure to always face the point on the top of the Cam Lock towards the outer edge.
- Use all the nails provided for the back panel and spread them out equally.
- Back panel must be used to make sure your unit is sturdy.
- Do NOT use harsh chemicals or abrasive cleaners on this item.
- Never push, pull, or drag your furniture.



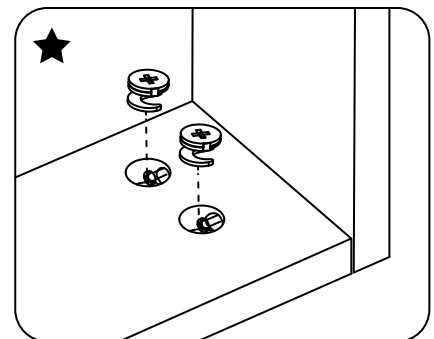
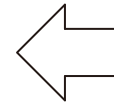
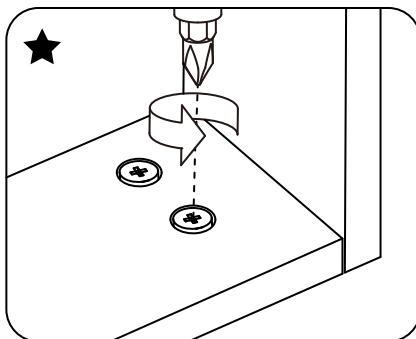
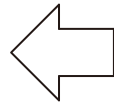
Before You Start

- ✓ — Read through each step carefully and follow the proper order
- ✓ — Separate and count all your parts and hardware
- ✓ — Give yourself enough room for the assembly process
- ✓ — Have the following tools: Hammer
- ✓ — Caution: If using a power drill or power screwdriver for screwing, please be aware to slow down and stop when screw is tight. Failure to do so may result in stripping the screw.




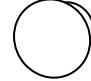
<p>A</p>  <p>87 PCS</p>	<p>B</p>  <p>87 PCS</p>	<p>C</p>  <p>15 PCS</p>	<p>D</p>  <p>15 PCS</p>	<p>E</p>  <p>10 PCS</p>
<p>F</p>  <p>5 CS</p>	<p>G</p>  <p>8 PCS</p>	<p>H</p>  <p>2 PCS</p>	<p>I</p>  <p>5 PCS</p>	

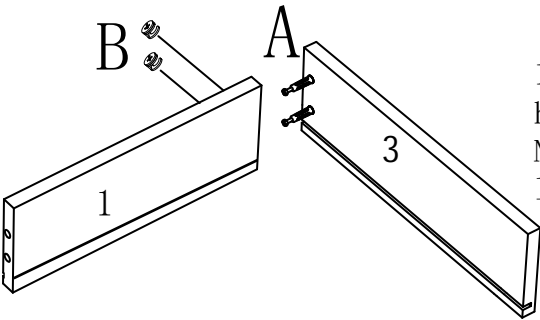


Parts assembly diagram

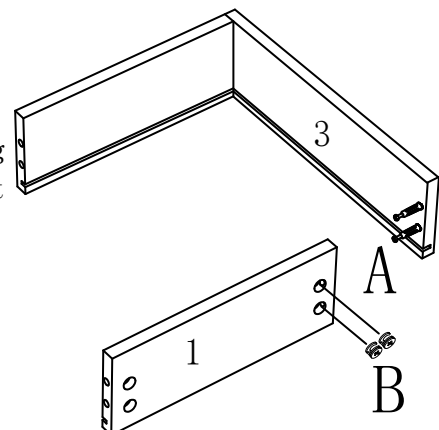


installation drawing 1

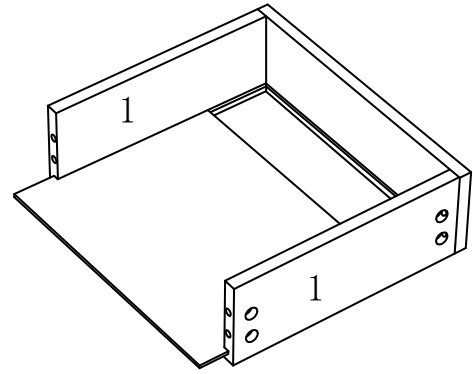
<p>A</p>  <p>40 PCS</p>	<p>B</p>  <p>40 PCS</p>	<p>F</p>  <p>5 PCS</p>	<p>I</p>  <p>5 PCS</p>	<p>The installation steps of other drawers are the same</p>
---	---	---	--	---



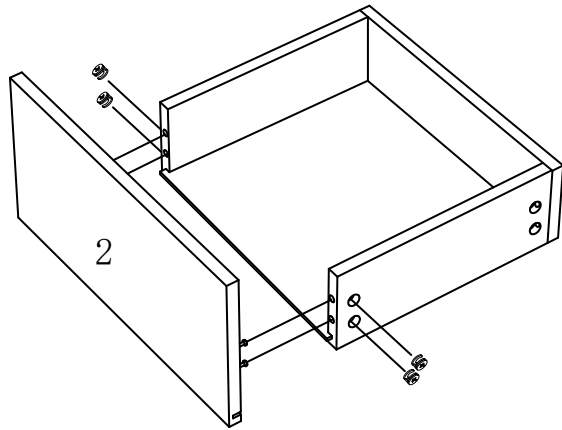
1. Screw A into the corresponding hole of No. 3 plate, then insert No. 1 plate into A, and finally lock A with B



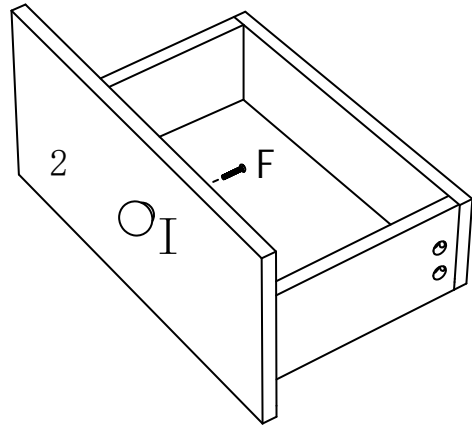
2. Screw A into the corresponding hole of No. 2 plate, then insert No. 1 plate into A, and finally lock A with B



3. Align the sheet with the slot of plate 1 and push it forward



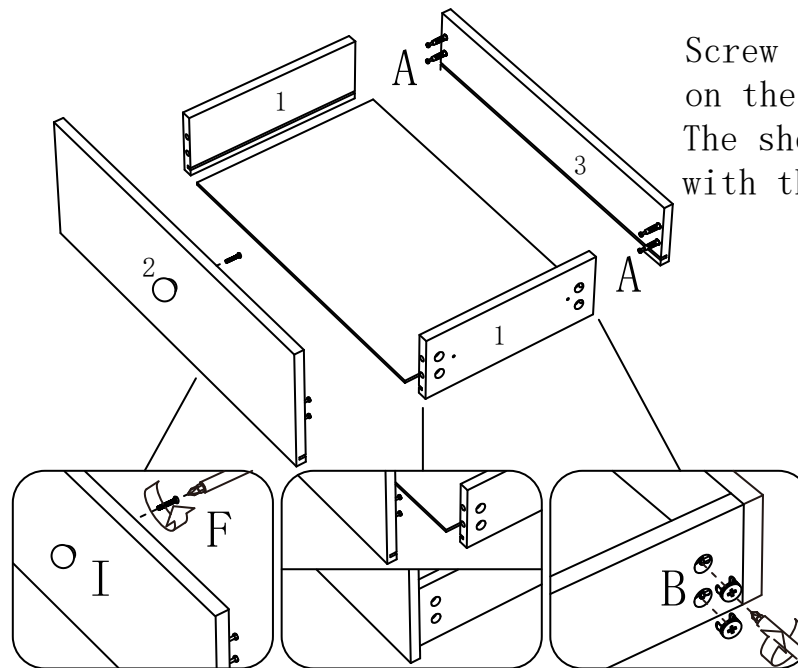
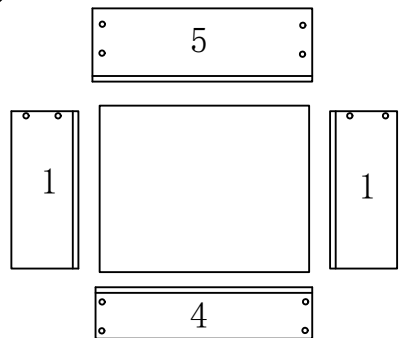
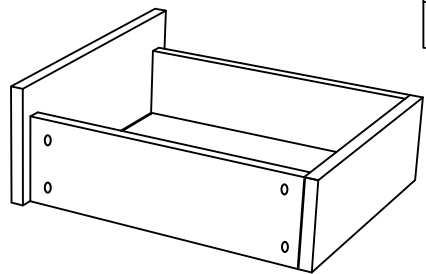
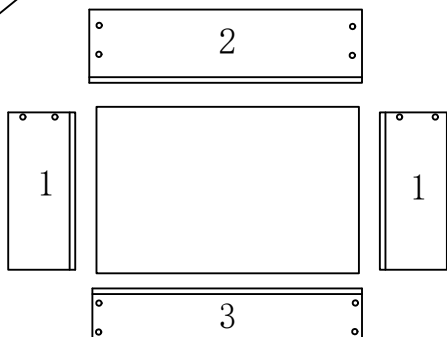
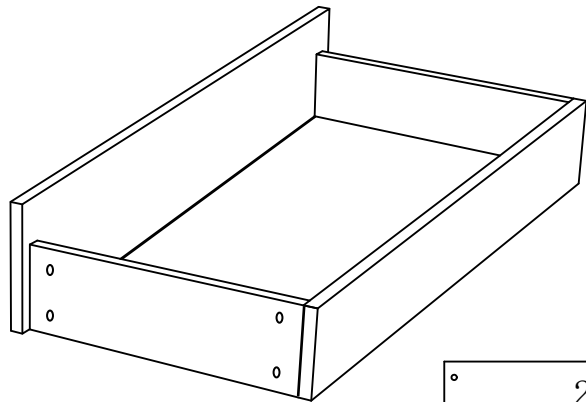
4. Screw A into the corresponding hole of No. 2 plate, then connect No. 2 plate with the previously installed part, and finally lock A with B for fixation



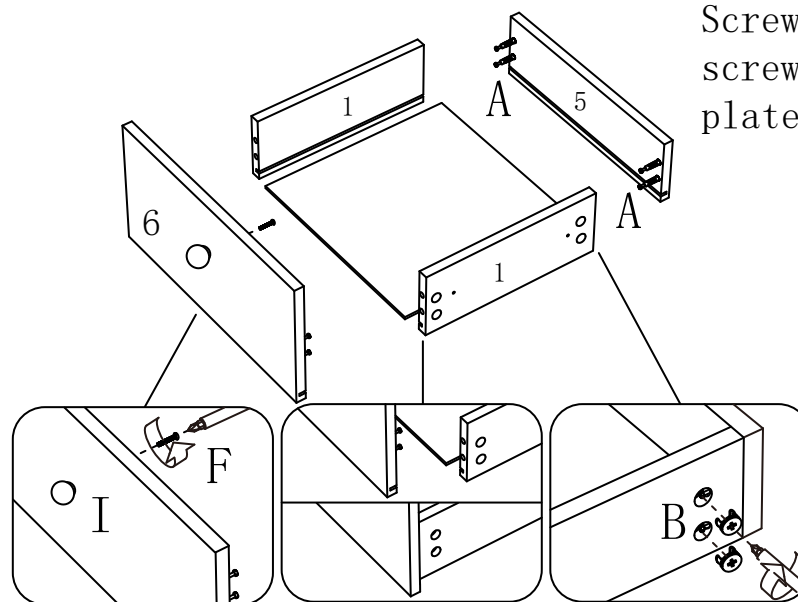
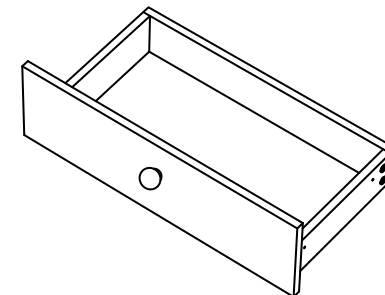
5. Fix I in front of plate 2 with F

installation drawing 2

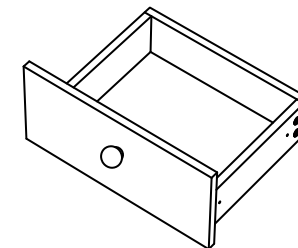
First install the drawer .



Screw in the eccentric screw on the 2 and 3 plates first
The sheet needs to be aligned with the slot

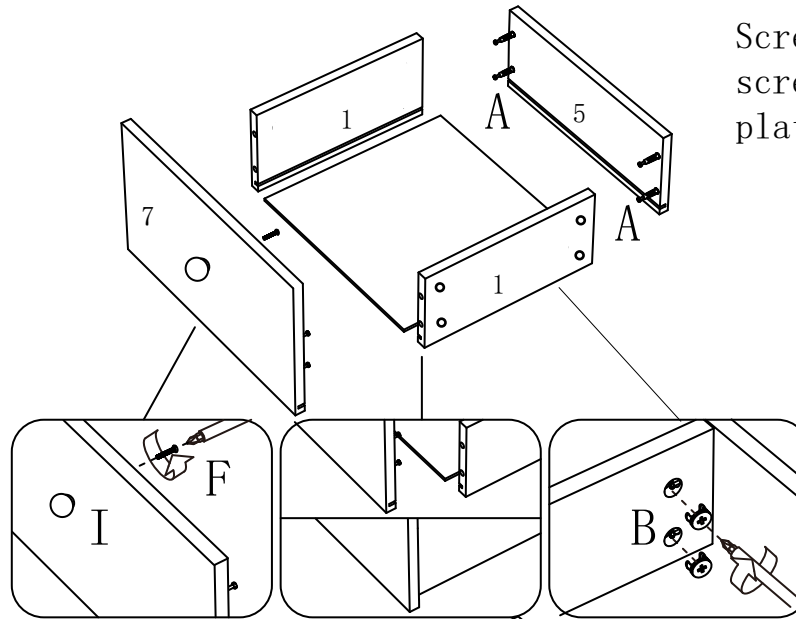
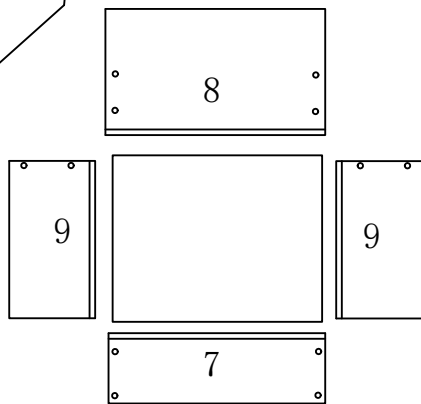
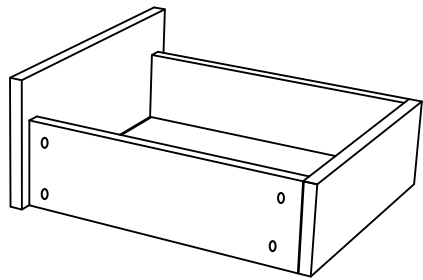
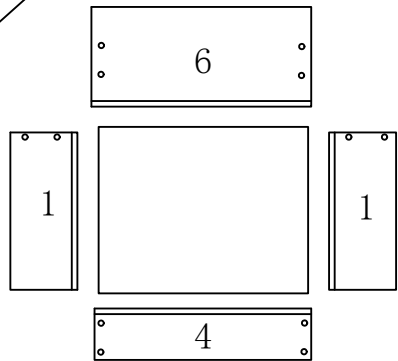
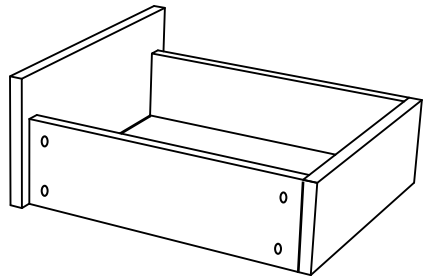


Screw in the eccentric screw on the 5 and 6 plates first

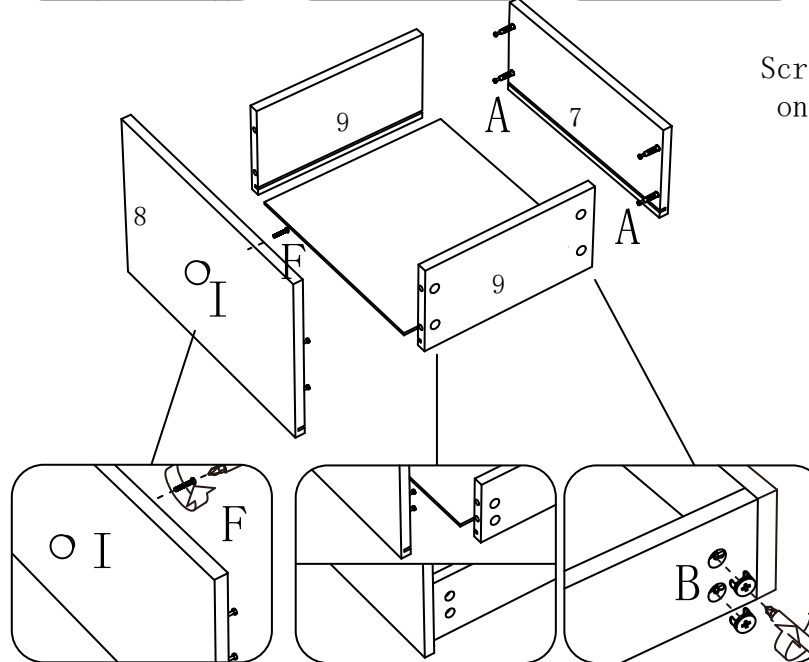


installation drawing 3

First install the drawer .

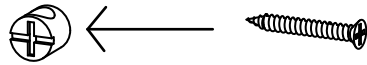
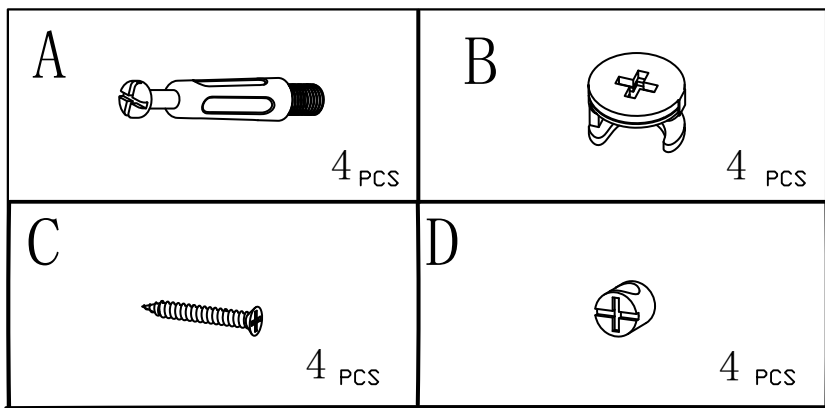


Screw in the eccentric screw on the 4 and 6 plates first



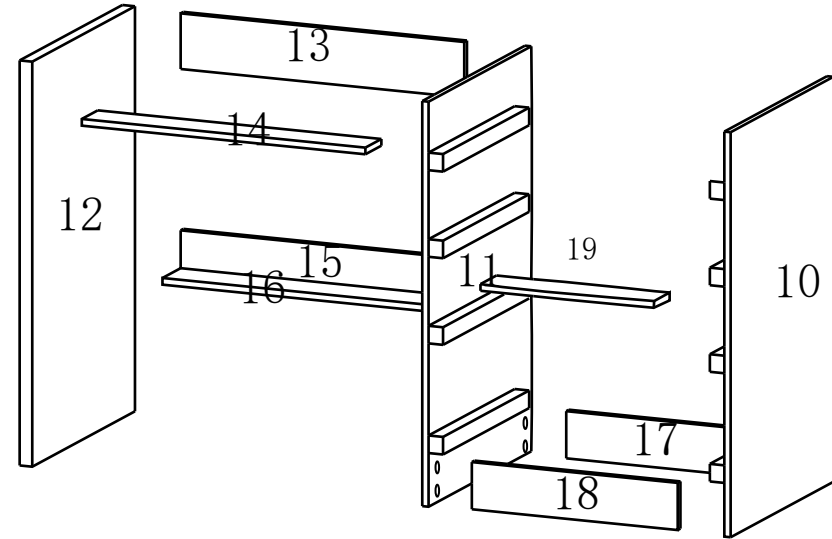
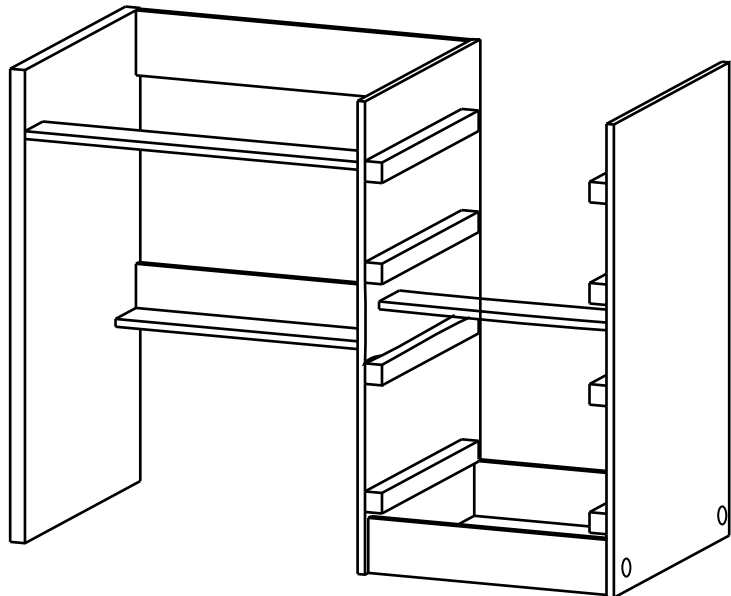
Screw in the eccentric screw on the 7 and 8 plates first

installation drawing 4



When placing D, it should be noted that the round hole should be aligned with the direction of screw in C

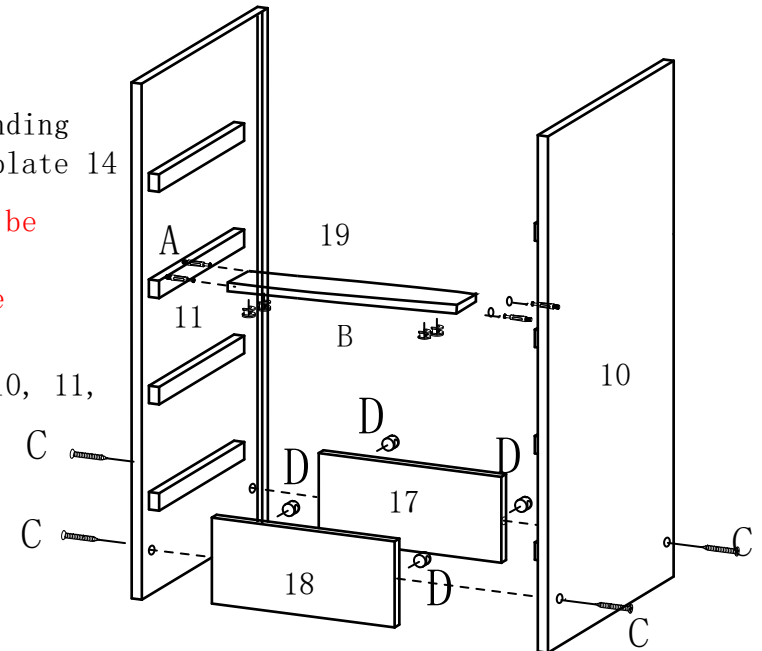
Second install the cabinet.







1. Place B in the corresponding position of plate 13 and plate 14

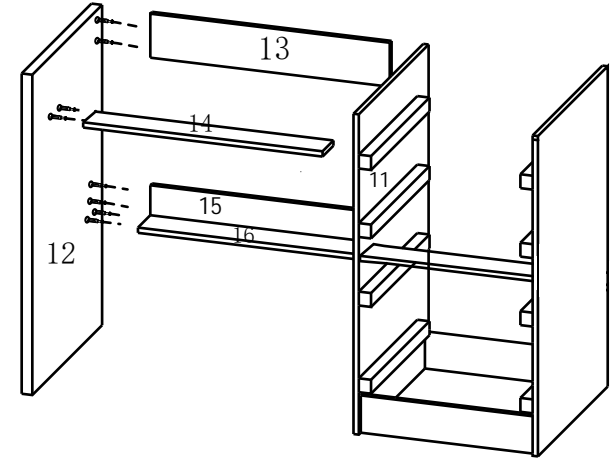
When placing B, it should be noted that the round hole should be aligned with the direction of screw in A

2. Connect and fix plates 10, 11, 15 and 16 with A

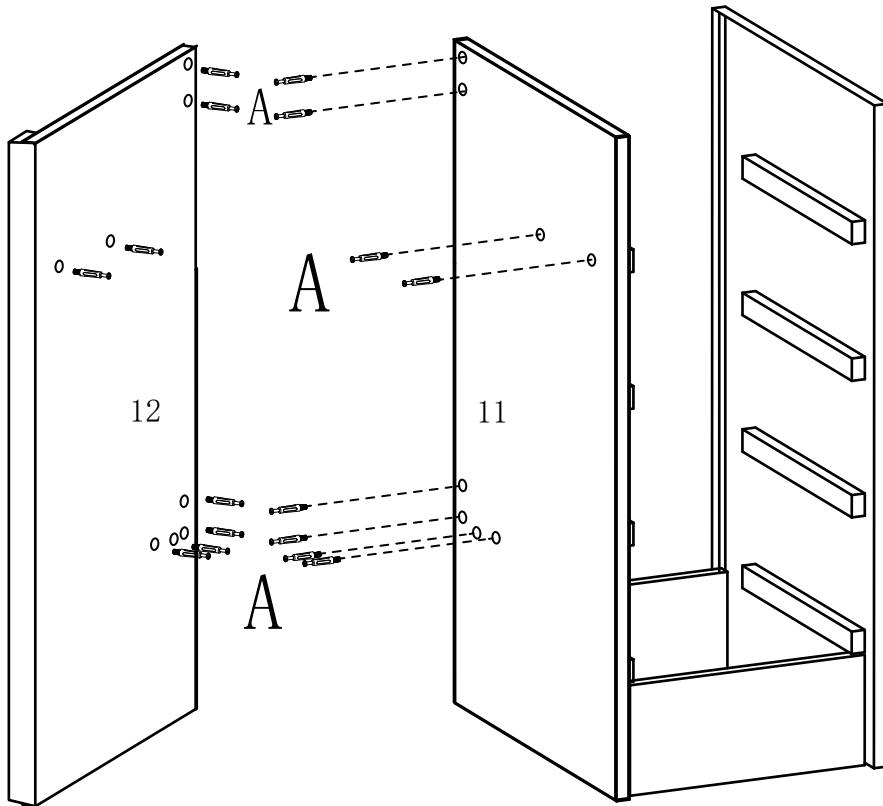


<p>A</p>  <p>16 PCS</p>	<p>B</p>  <p>16 PCS</p>
<p>C</p>  <p>1 PCS</p>	<p>D</p>  <p>1 PCS</p>

Install Nos. 12, 13, 14, 15 and 16 using A and B as shown in the picture.

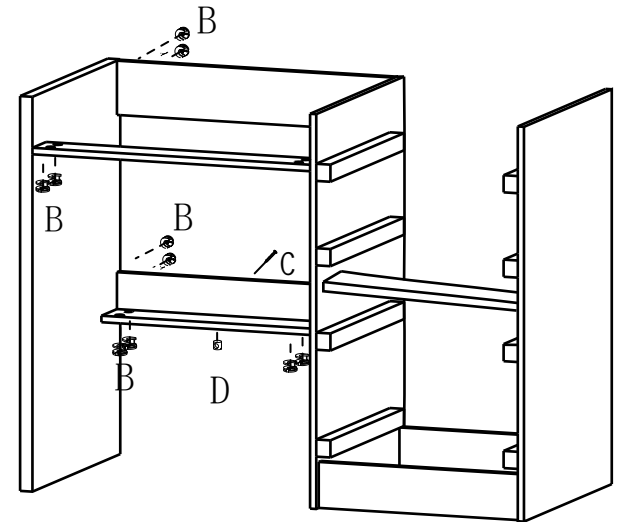


Note that the screws are hidden below and on the back

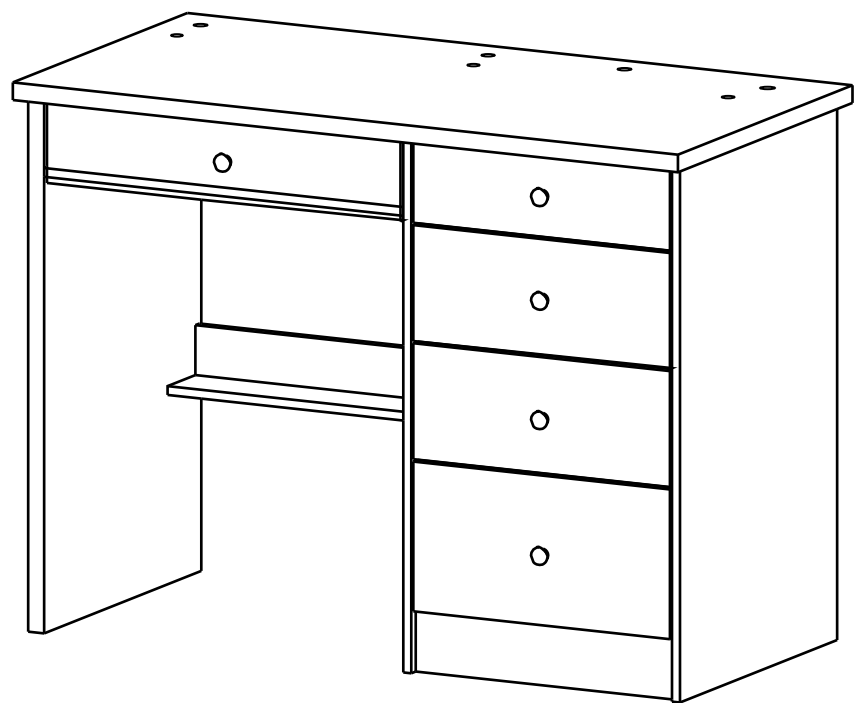


Tighten all B's as shown

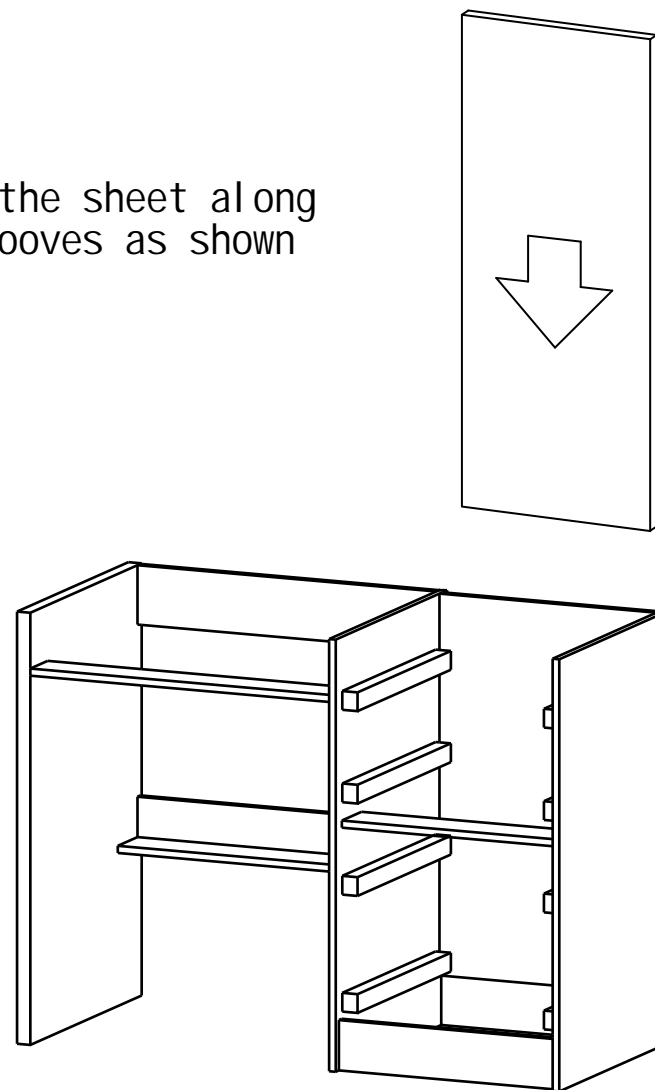
Install using C and D between No. 15 and No. 16 and tighten the screws



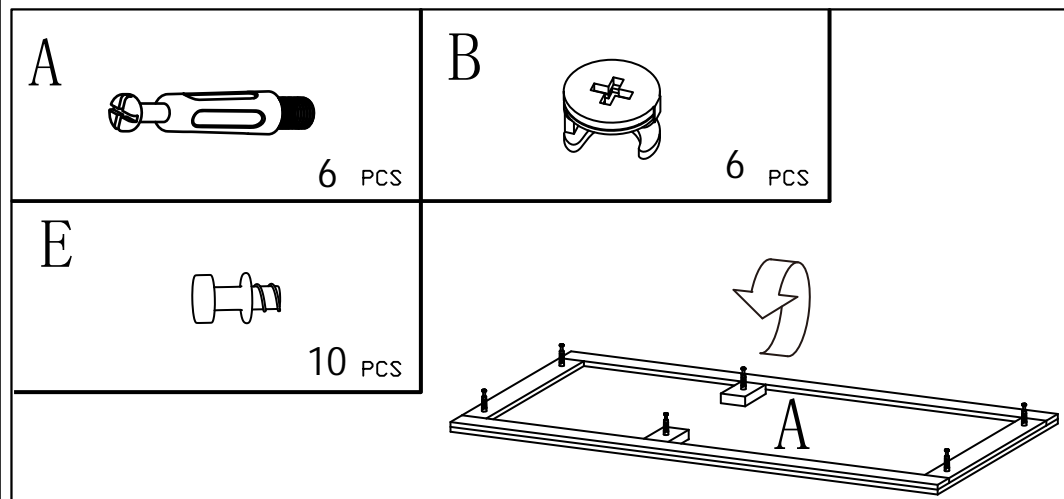
installation drawing 6



Insert the sheet along
the grooves as shown

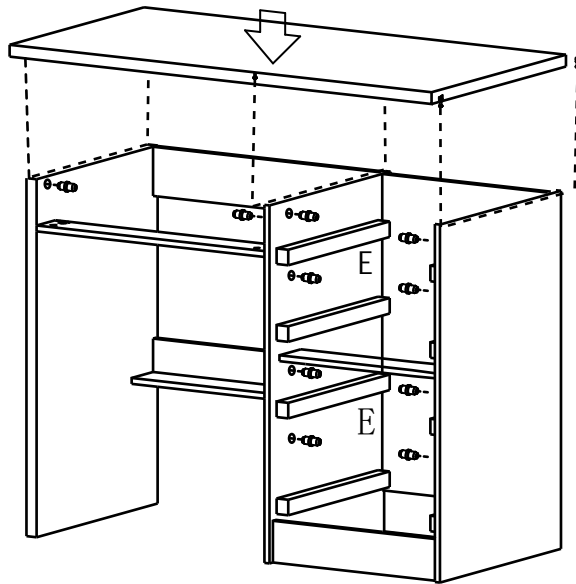


installation drawing 7

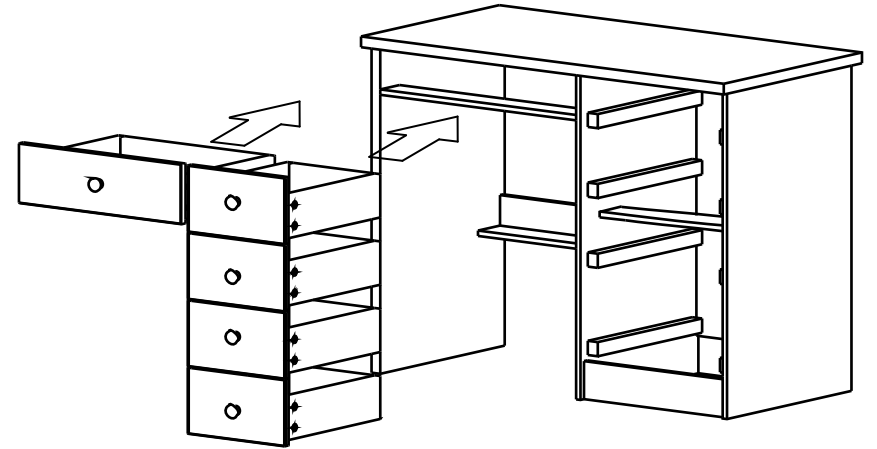


Screw A into the corresponding hole of Table top plate

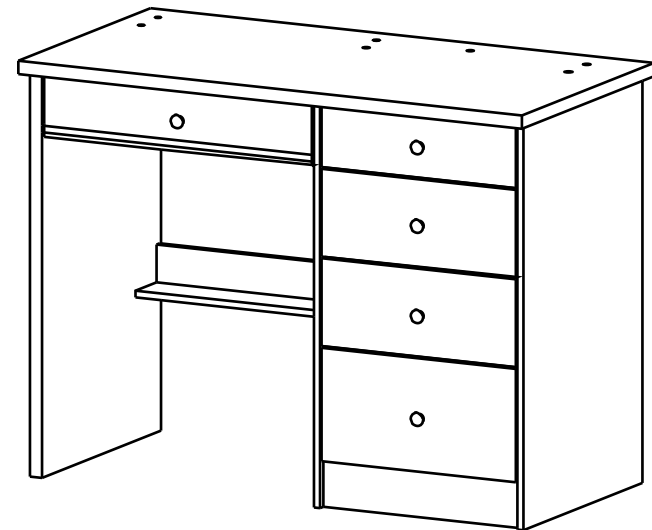
As shown in the figure, align the holes to link the table top using B to install and tighten



Install the Positioning pin (E) on both sides

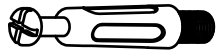


Align the slide rail of the drawer with the slide rail of the cabinet and push it forward



installation drawing 8

A

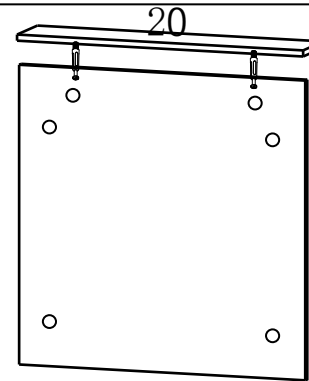
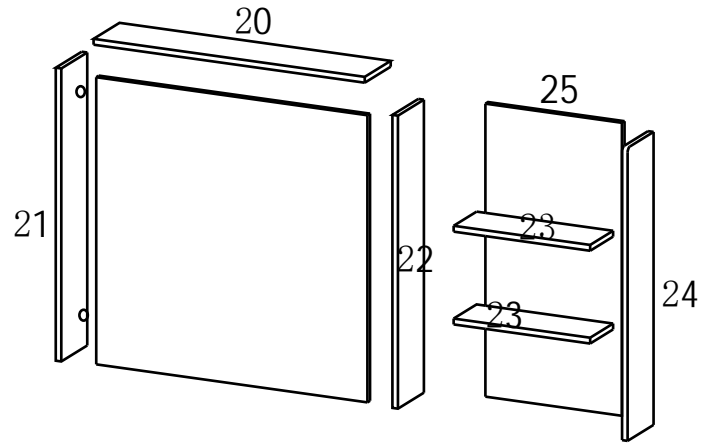
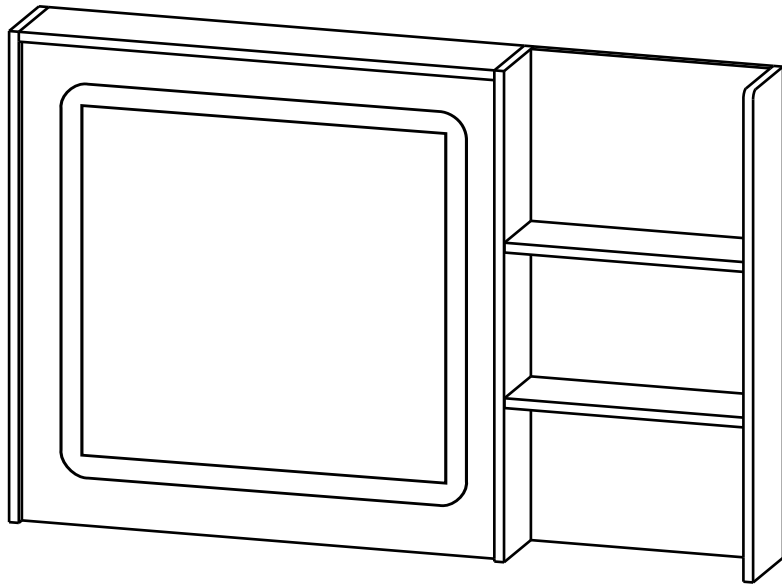


10 PCS

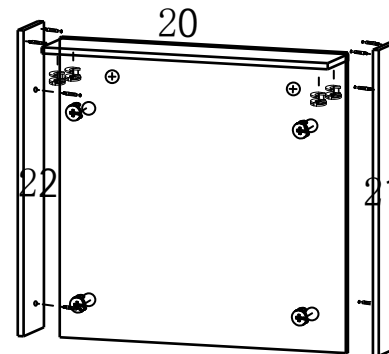
B



10 PCS

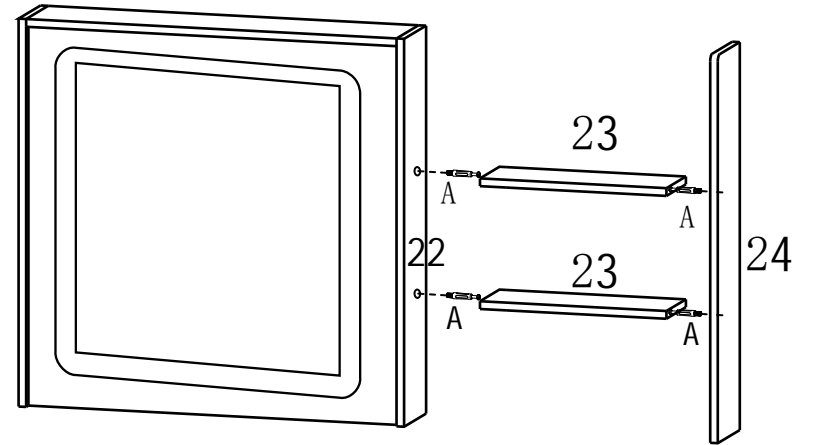
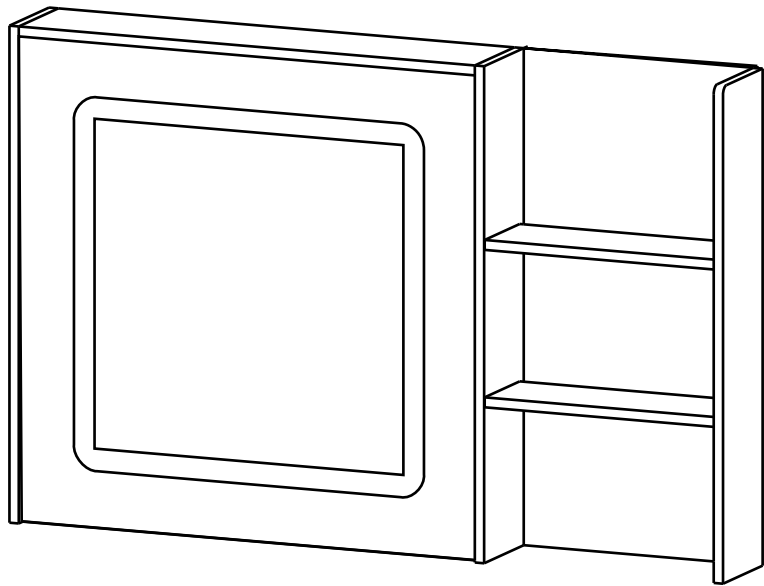
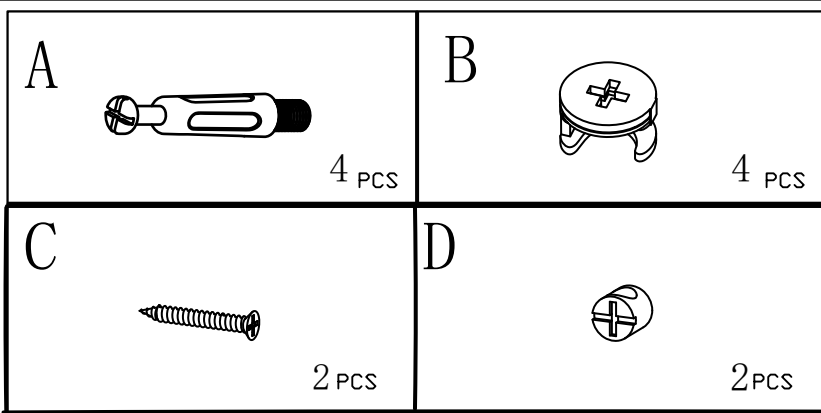


Use A and B to install No. 20 on the mirror.

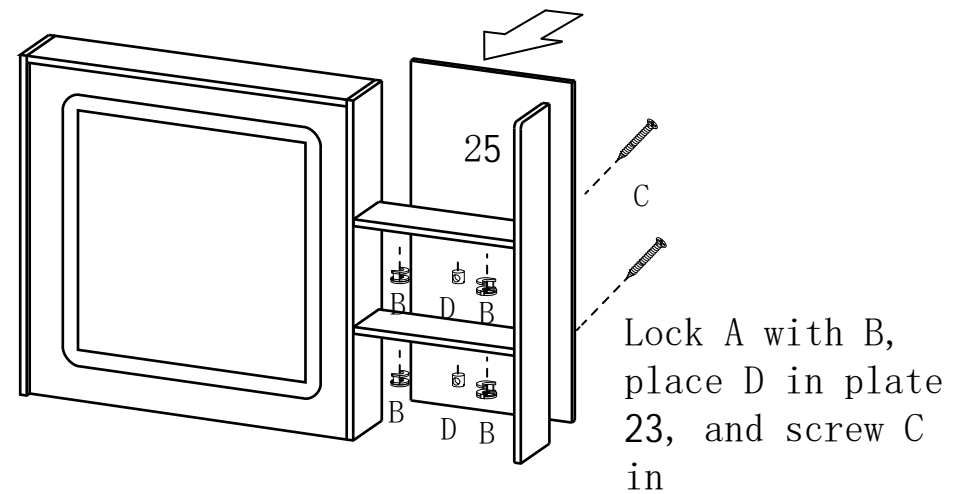


Install No. 21 and No. 22 using An and B and tighten the screws as instructed in the picture.

installation drawing 9



Use A and B to complete the installation according to the picture instructions. Note that the screws are hidden below



A

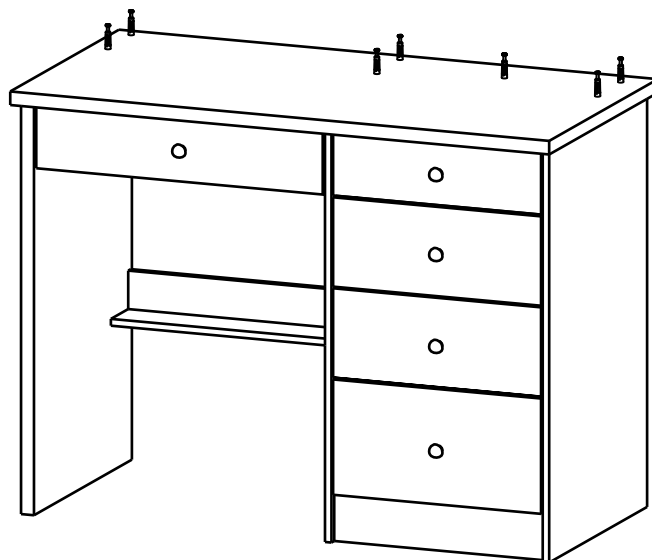
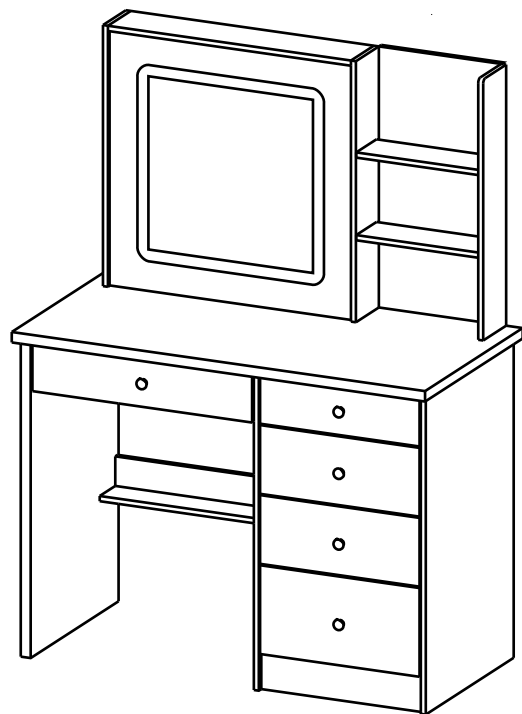


7 PCS

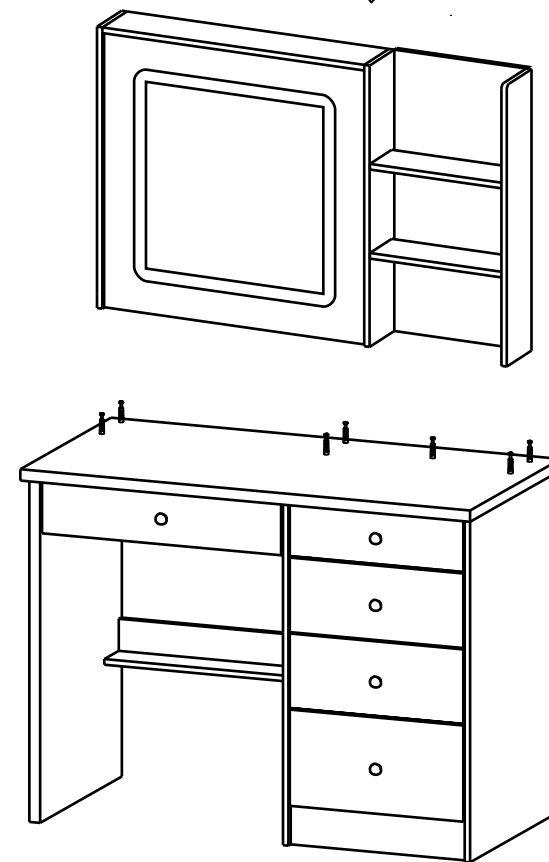
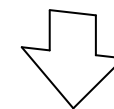
B



7 PCS



Screw in A on the panel



Align the upper part with A and connect it with the lower part, then lock and fix it with B

installation drawing 11

C



8 PCS

D

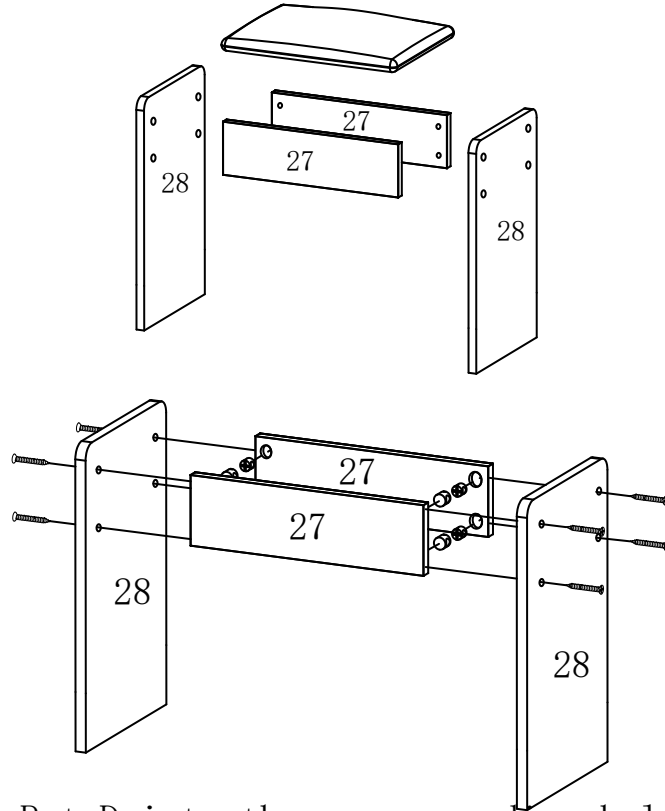
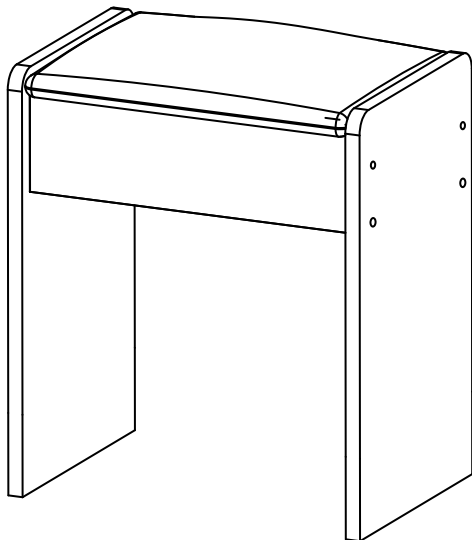


8 PCS

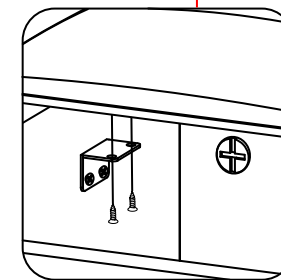
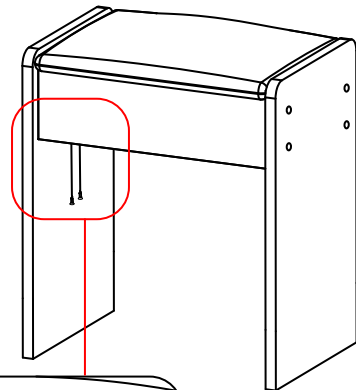
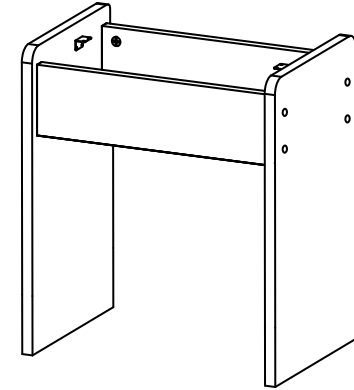
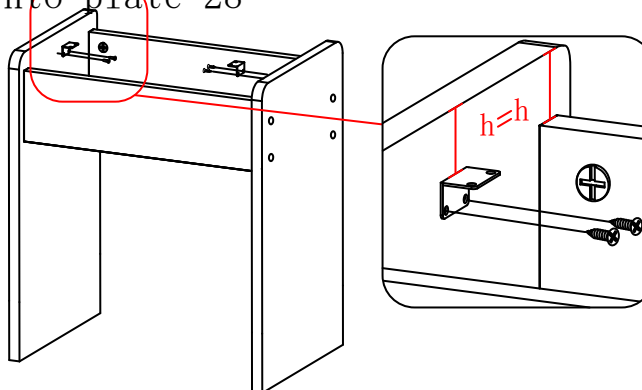
G



8 PCS



Put D into the corresponding hole of plate 27, and then screw C into plate 28



Fix H on the inside of two 28 plates with G Fix H under the soft bag with G



If you have any questions about the product,
please do not hesitate to contact customer service.

5 Star Rating



Visit your local retailer's website, rate your purchased
product and leave us some feedback!

We would like to extend a big "Thank You" to all of
our customers for taking the time to assemble this
product, and to give us your
valuable feedback.