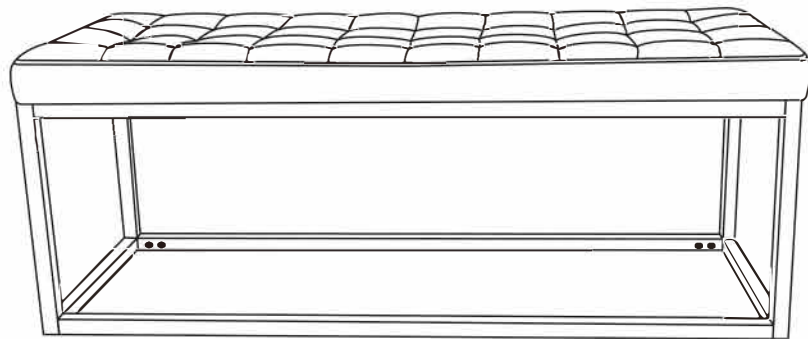
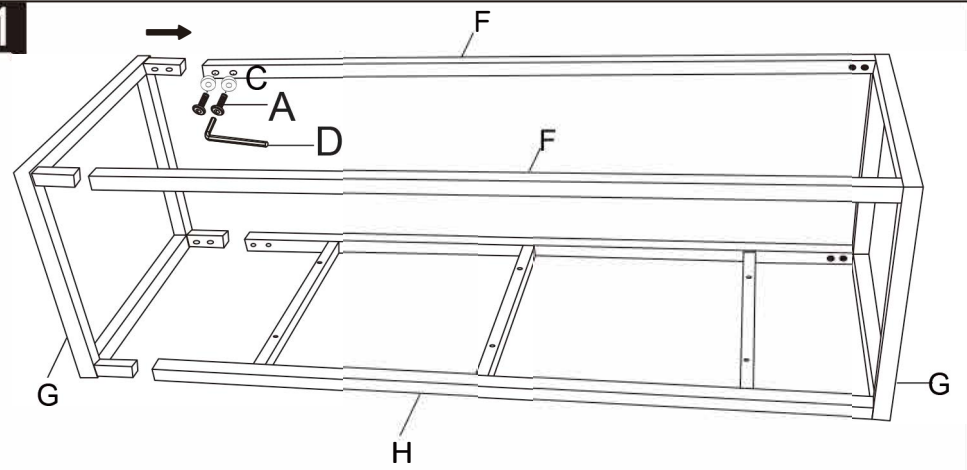


ASSEMBLY INSTRUCTIONS



A M6x12mm x16	B M6x40mm x6	C M6x16mm x22	D M5 x1
E x1	F x2	G x2	H x1

1



2

