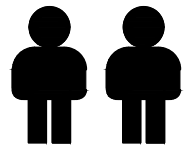


Weight Capacity

150 LBS



Installation:
10 minutes.



Two Person

Owner Manual

NOTE:






This brochure contains
IMPORTANT safety info.
Please read and keep it
for future reference.

MAINTENANCE AND WARNINGS



Before You Start

Please follow the steps below:

-  Check the packaging for any damage, deformation, or water stains. If there is significant damage, please contact us promptly.
-  Unpack the box and compare the contents with the parts list and hardware list to ensure all components and accessories are present and complete.
-  Please read the installation instructions carefully to understand the installation steps and precautions to ensure proper installation.
-  Clean the installation area in advance and ensure the ground is level and there is enough space to avoid damaging the furniture or making installation difficult.
-  Lay a protective mat on the ground to prevent scratching the floor during installation.

After-Sales Service

- If you encounter any issues or need technical support during use, please contact our after-sales team. We offer long-term maintenance and warranty services.



Precautions

- ⚠ This product is for indoor use only. Do not expose it to outdoor elements or high-humidity environments.
- ⚠ Keep the product away from high heat or open flames to prevent fire hazards.
- ⚠ Do not allow children to climb on the product, as this may cause tipping and result in personal injury.



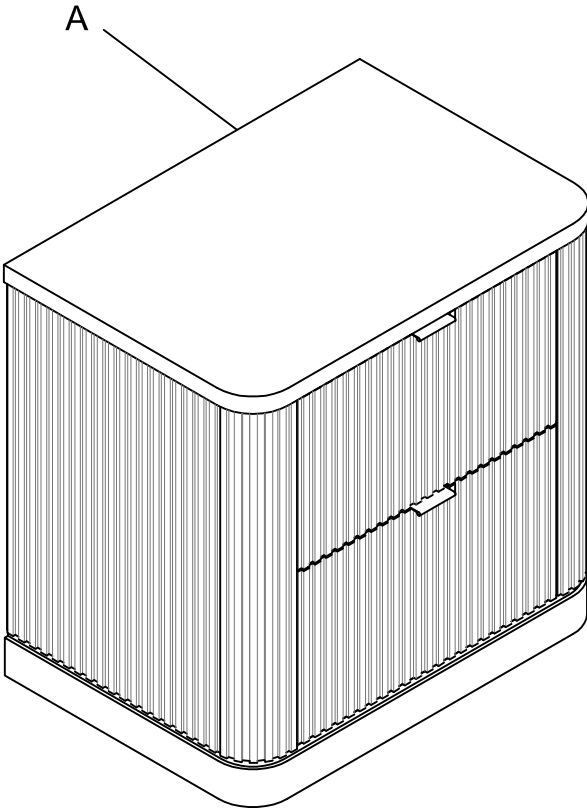
Safety Warnings

- ⚠ If you notice any loose or damaged parts, stop using the product immediately and contact customer service.
- ⚠ Do not attempt to disassemble or replace any components yourself, as this may affect the stability and safety of the product.

Daily Maintenance

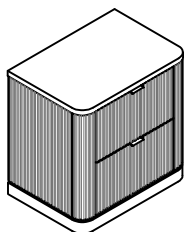
- Regularly clean the surface with a soft cloth to prevent dust accumulation.
- Do not use cleaning agents containing acids, alkalis, or corrosive substances, as they may damage the surface. It is recommended to use neutral cleaning agents or specialized furniture cleaners.
- Avoid exposing furniture to humid environments for extended periods. Use a dehumidifier or desiccant during humid weather.
- Avoid direct contact of furniture with water. If water is accidentally spilled, wipe it dry immediately.
- Avoid placing excessively heavy objects on the furniture: ensure the weight is within a reasonable load-bearing range.
- Avoid using sharp or rough items on the furniture surface to prevent scratches. Handle items gently when moving them.

Explosive view

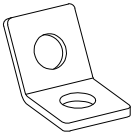
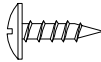
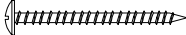

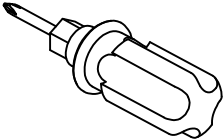


Parts list

x1



Hardware List

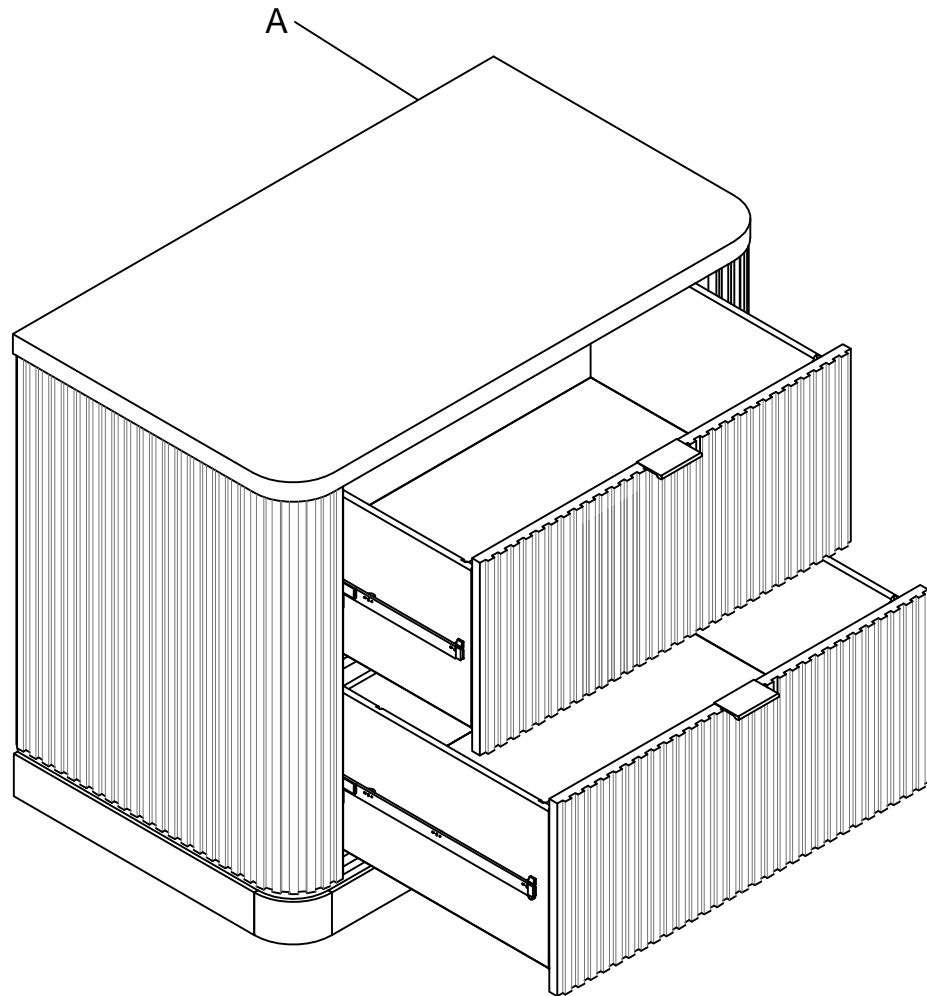
<p>①x1</p> 	<p>②x1 Screw</p>  <p>L20mm</p>	<p>③x1 Screw</p>  <p>L38mm</p>
<p>④x1 Hardware pack</p> 	<p>⑤x1 Not including</p> 	



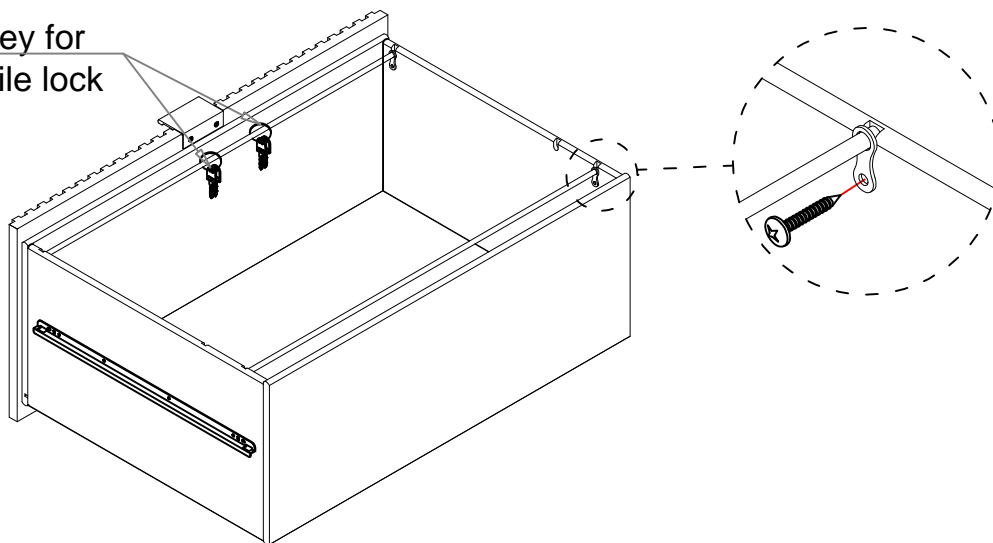
Note: Before installing the screws, please first distinguish the length of the screw rods.

Step 1

1. Remove the wood screws on the side of drawer box to remove the rod loops and file rods if necessary.

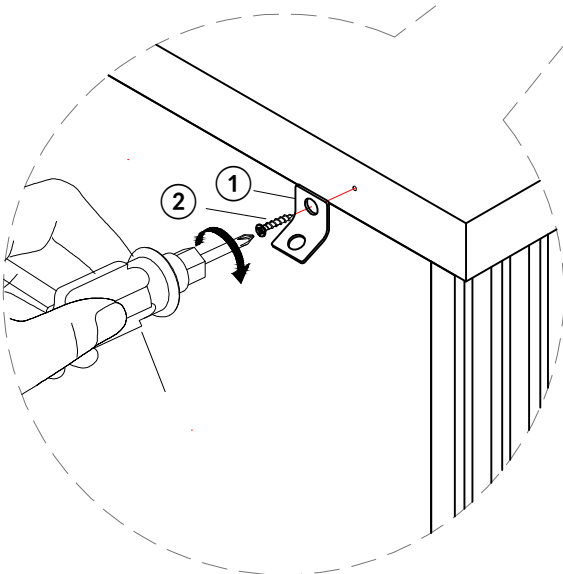
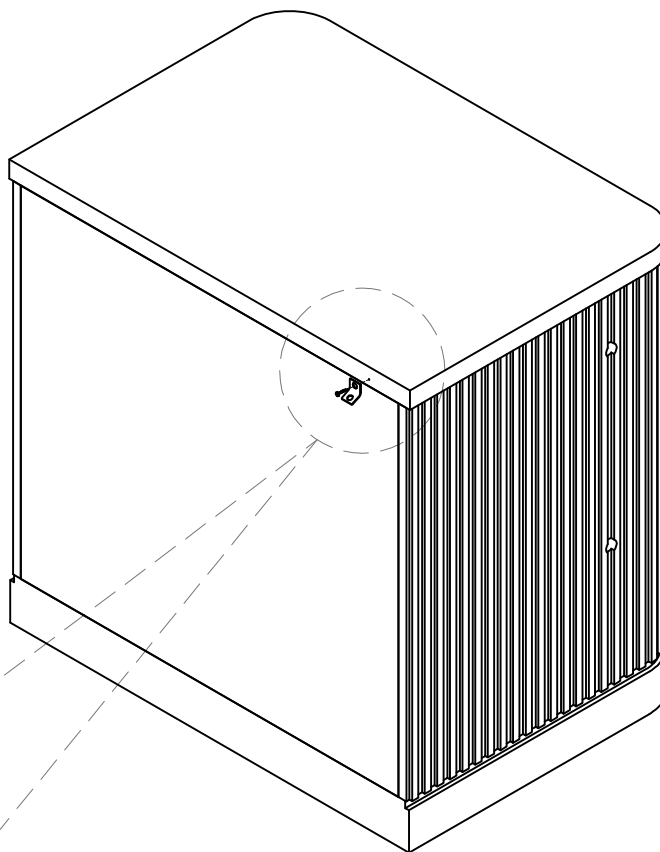
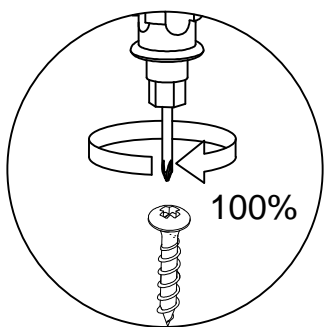
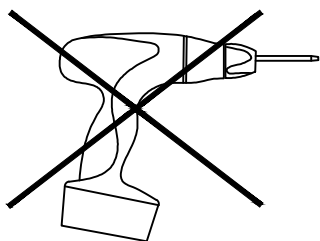


Key for
file lock



Step 2

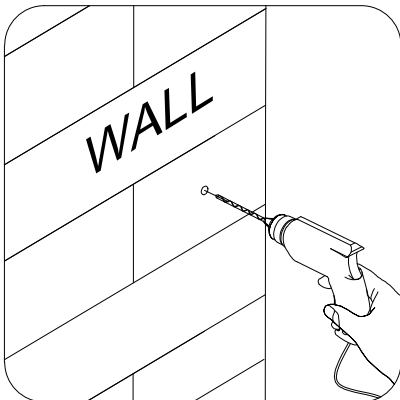
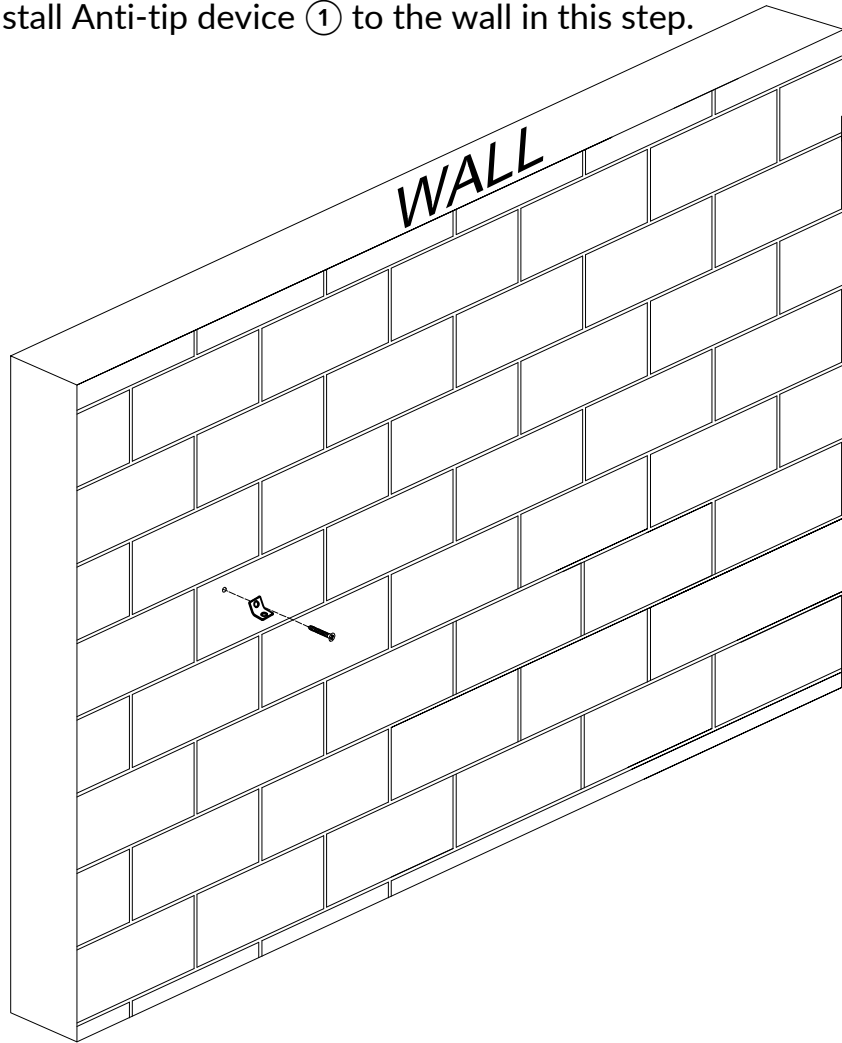
Install Anti-tip device ① and tighten screw ② with screwdriver ⑤.



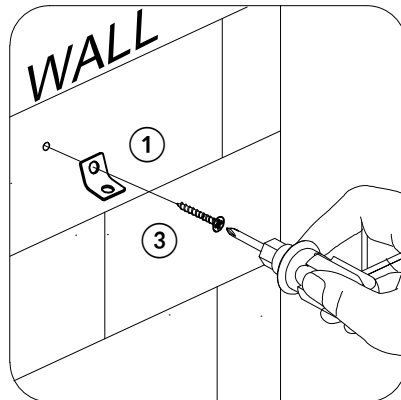
①x1	②x1	⑤x1
	D3x20mm	

Step 3


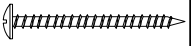
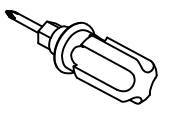
Install Anti-tip device ① to the wall in this step.



1. Drill a hole in the wall with an electric drill.



2. Secure the Anti-tip device ① to the wall with screws ③

①x1	③x1	⑤x1
	 D3x38mm	

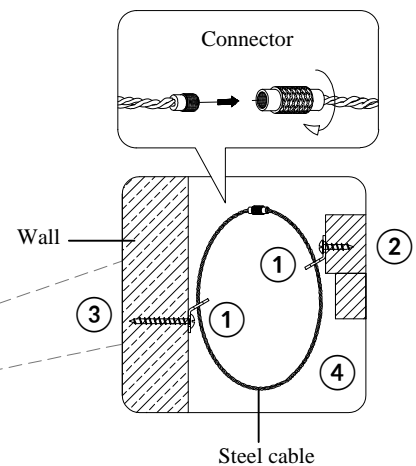
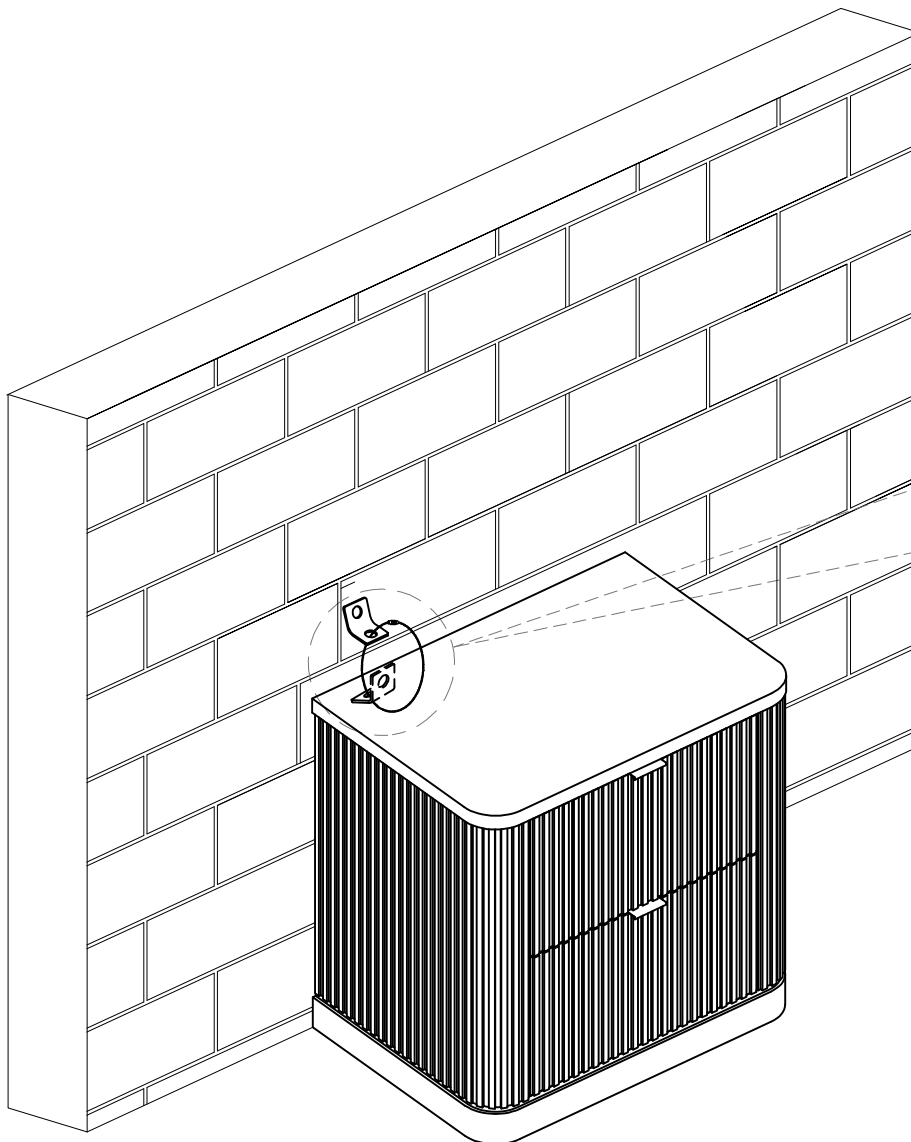
Step 4

WARNING

Children have died from furniture tipover.

To reduce the risk of furniture tipover:

- ALWAYS install Anti-tip device provided.
- For use with televisions weighing 35 lb or less. Use with heavier televisions may result in instability causing tip-over resulting in death or serious injury.
- NEVER allow children to stand, climb or hang on drawers, doors, or shelves.
- NEVER open more than one drawer at a time.
- Place heaviest items in the lowest drawers.



WARRANTY

- We strive to offer quality products, and we also try our best to satisfy every customer who orders from us with products or services as needed.
- Replacement parts can be purchased from our company if available.
- For returns, please check the return policy with the retailer or marketplace where you purchased the item.