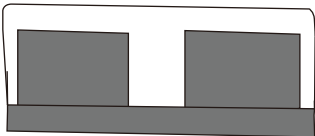
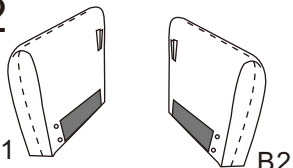



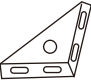



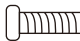


ASSEMBLY INSTRUCTION

Ax1 		
Bx2 		
Cx1 		
Dx2 	Ex4 	
Fx2 	Gx4 	
Hx1 		
Jx8  M6X16	Kx16  M6X20	Lx1 