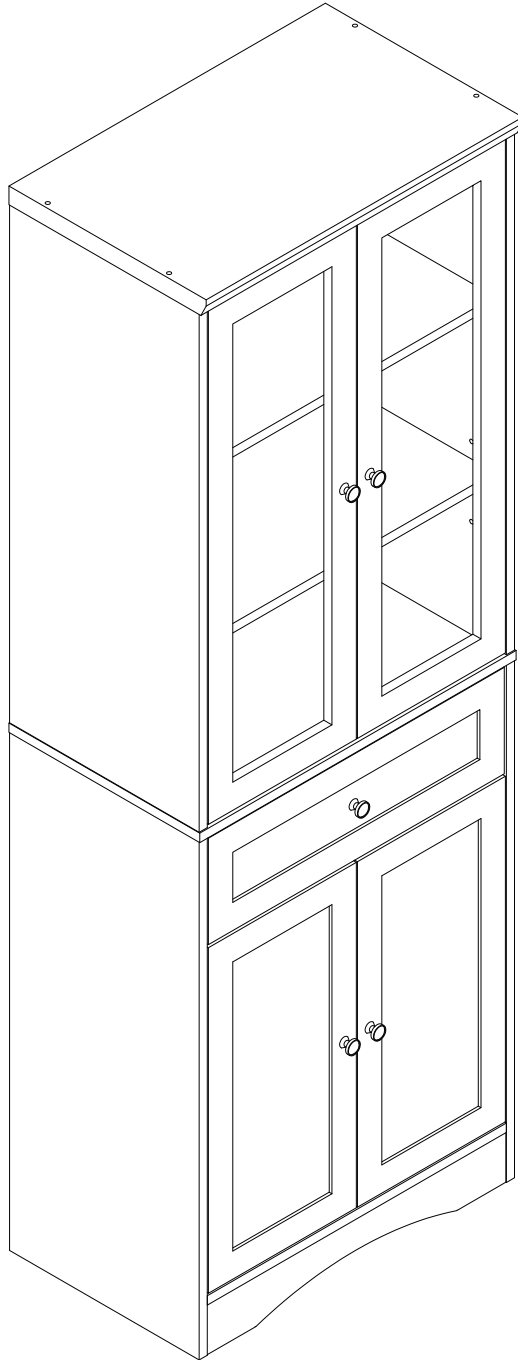
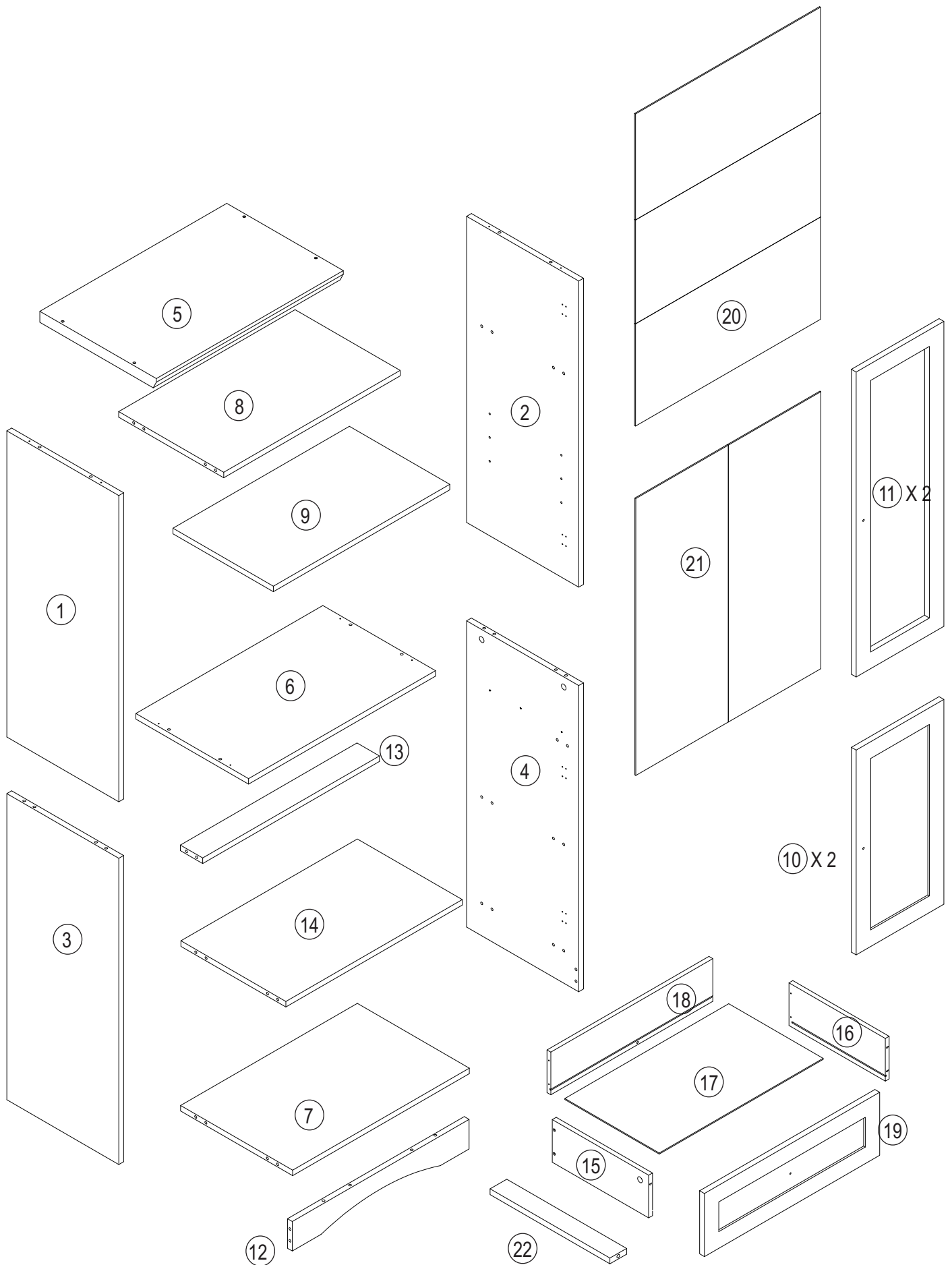


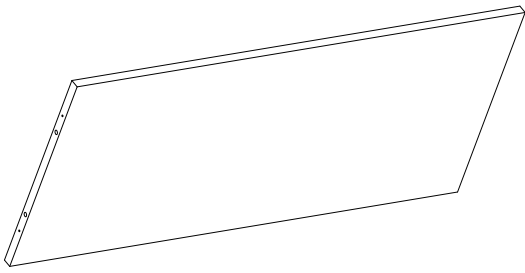
ASSEMBLY INSTRUCTION



PARTS LIST

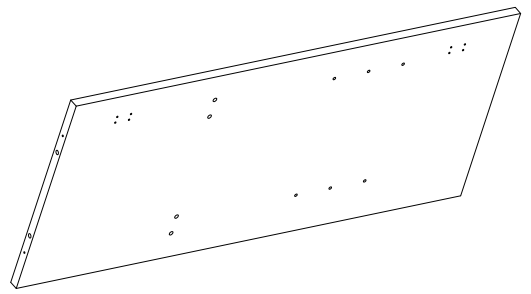


1



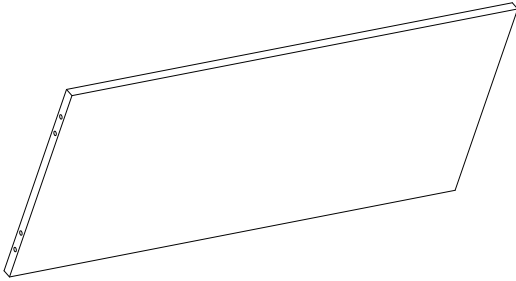
X1

2



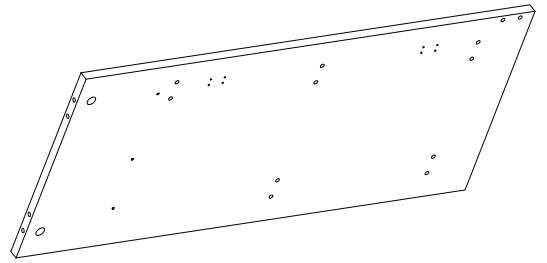
X1

3



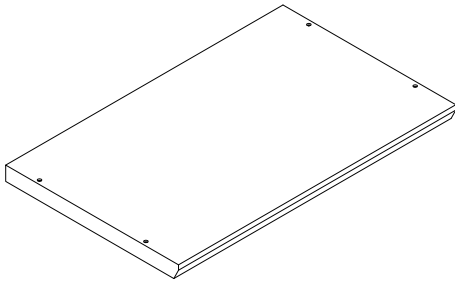
X1

4



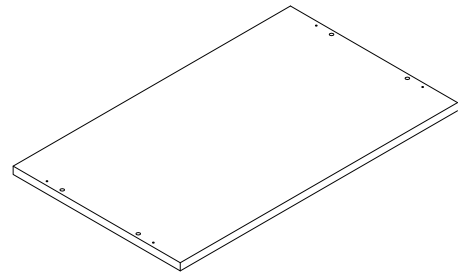
X1

5



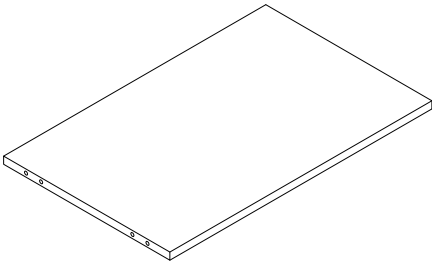
X1

6



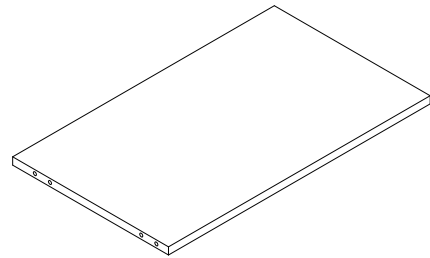
X1

7



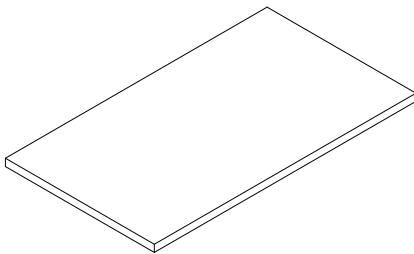
X1

8



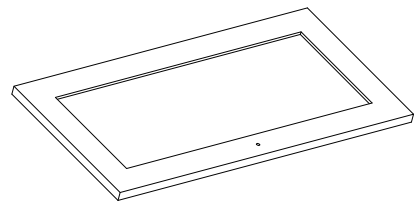
X1

9



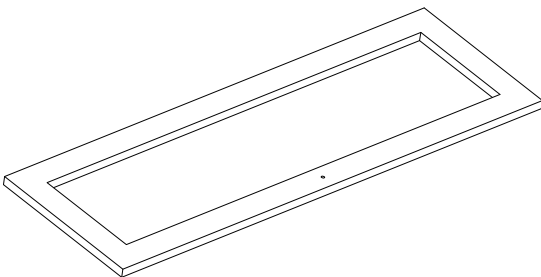
X1

10



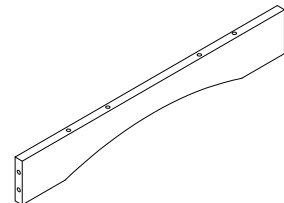
X2

11



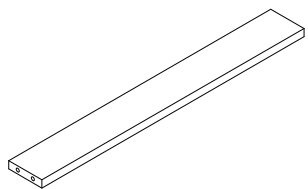
X2

12



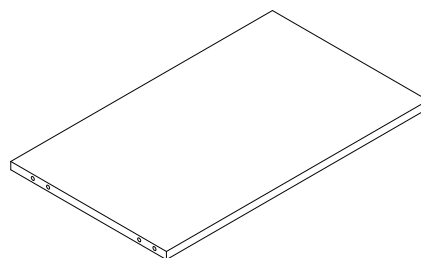
X1

13



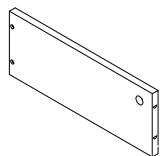
X 1

14



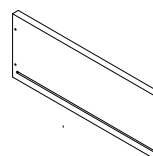
X 1

15



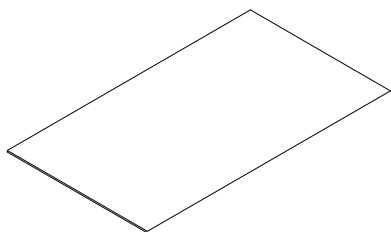
X 1

16



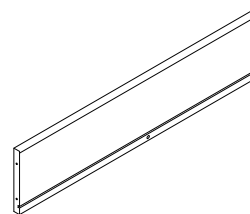
X 1

17



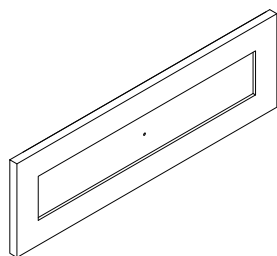
X 1

18



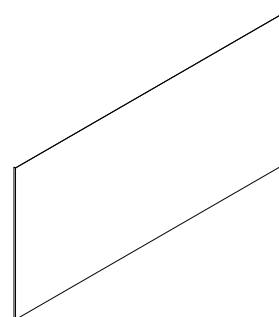
X 1

19



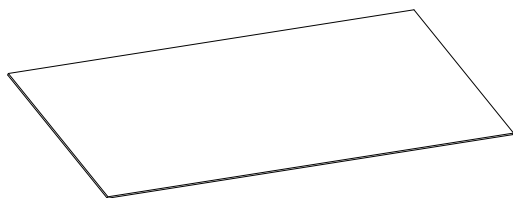
X 1

20



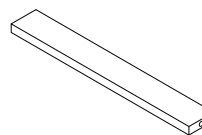
X 3

21



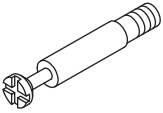

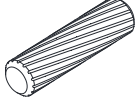
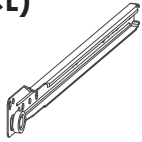
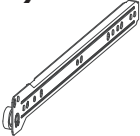
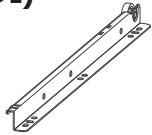
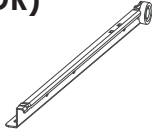

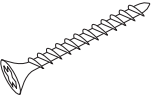

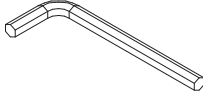
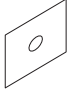

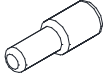
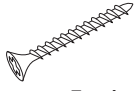


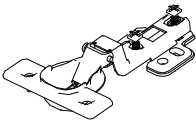

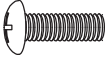

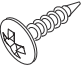
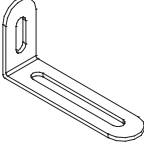
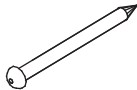
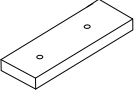
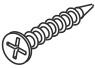

X 2

22

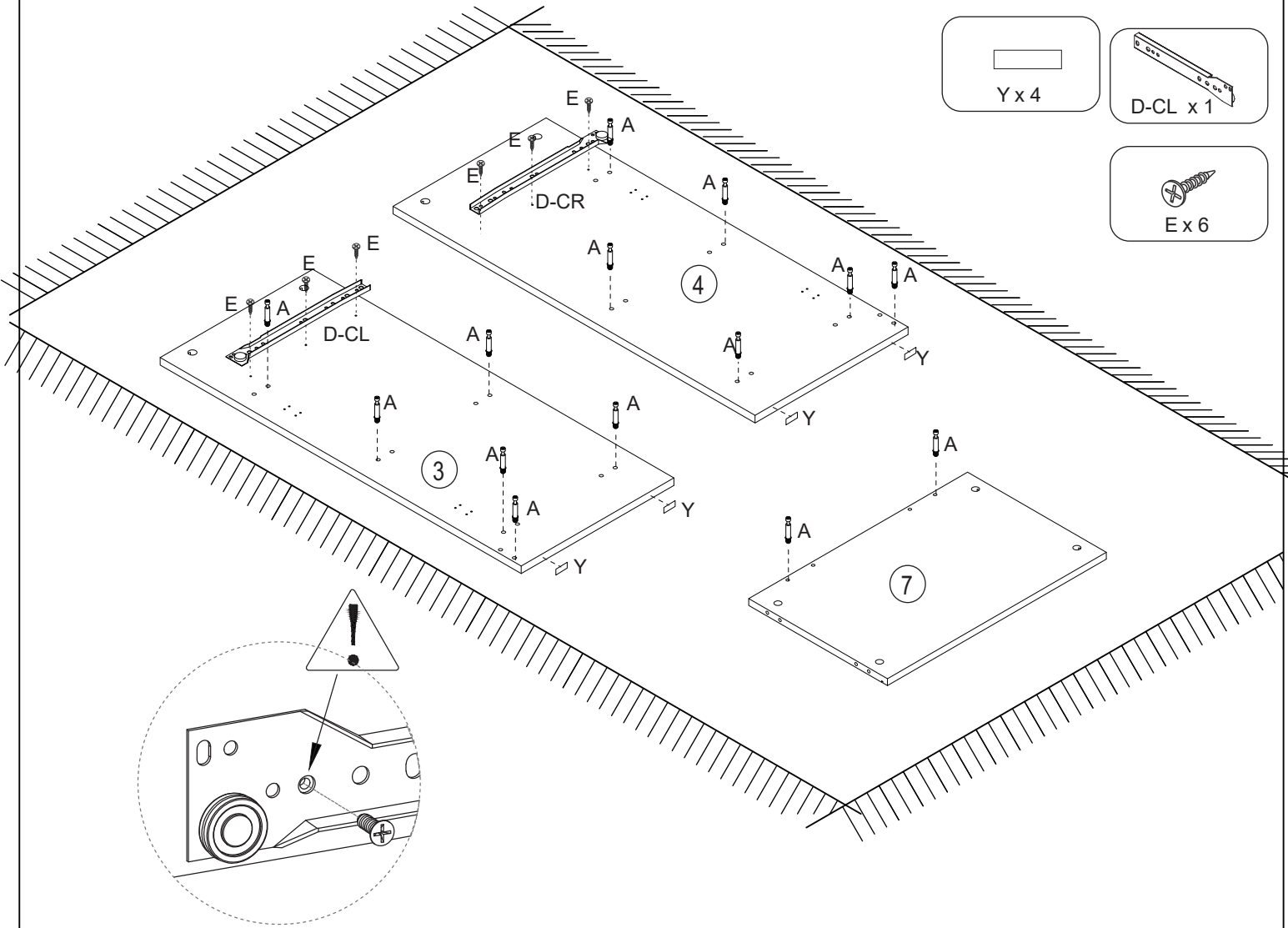
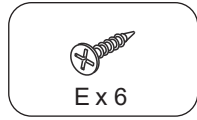
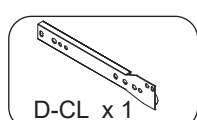
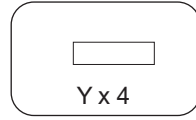
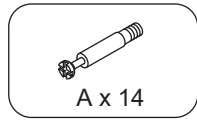
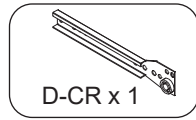


X 1

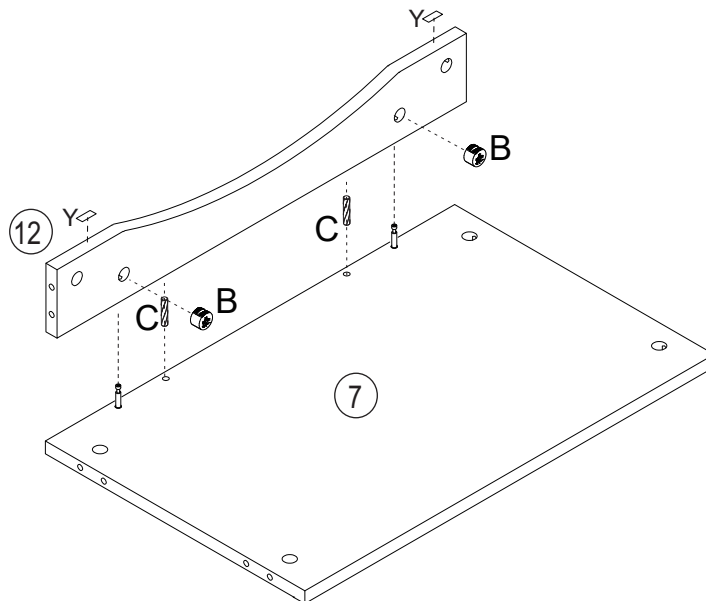
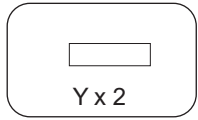
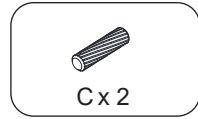
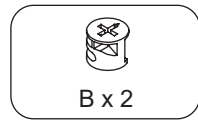
Hardware:

 <p>27 x A</p>	 <p>27 x B</p>	 <p>30 x C</p>	<p>(CL)</p>  <p>1 x D</p>
<p>(CR)</p>  <p>1 x D</p>	<p>(DL)</p>  <p>1 x D</p>	<p>(DR)</p>  <p>1 x D</p>	 <p>10 x E Ø3.5*12</p>
 <p>2 x F Ø4*35</p>	 <p>12 x G</p>	 <p>1 x H</p>	 <p>4 x I</p>
 <p>4 x J Ø3*14</p>	 <p>4 x K</p>	 <p>5 x L Ø4*30</p>	 <p>5 x M</p>
 <p>4 x N M4x16</p>	 <p>8 x O</p>	 <p>48 x P Ø4*14</p>	 <p>1 x Q M4x10</p>
 <p>2 x R</p>	 <p>2 x T Ø4*14</p>	 <p>2 x U</p>	 <p>42 x V</p>
 <p>1 x W</p>	 <p>2 x X Ø3*16</p>	 <p>6 x Y</p>	

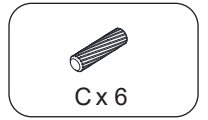
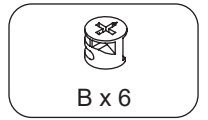
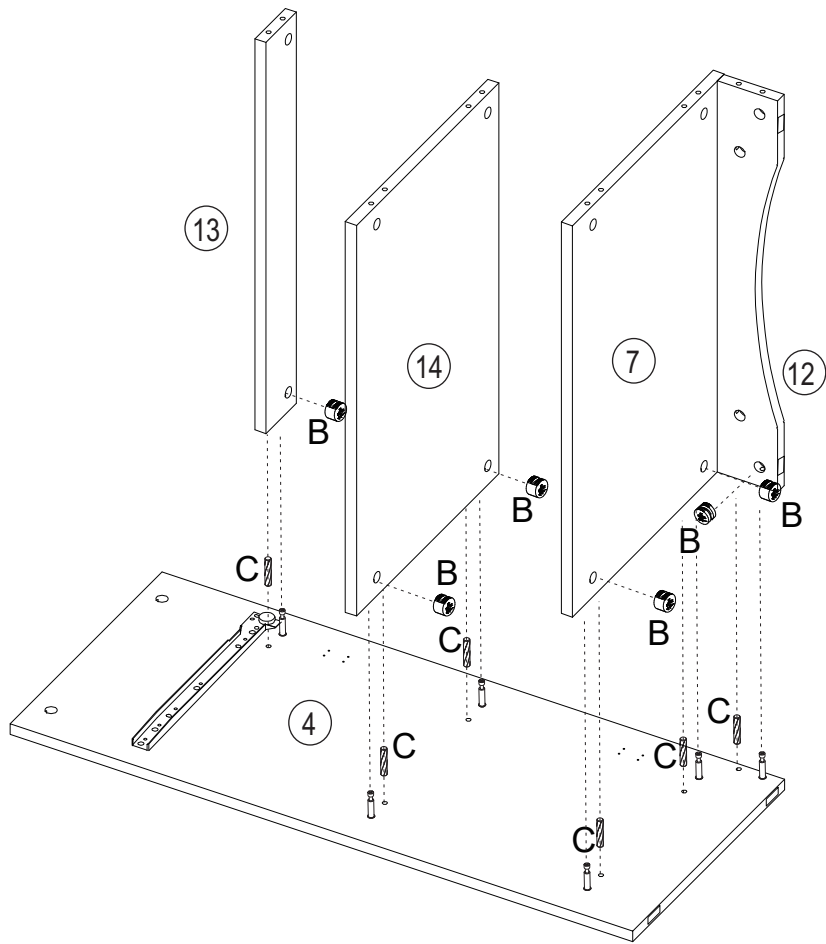
STEP 1



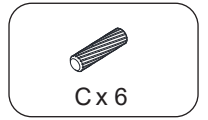
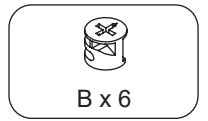
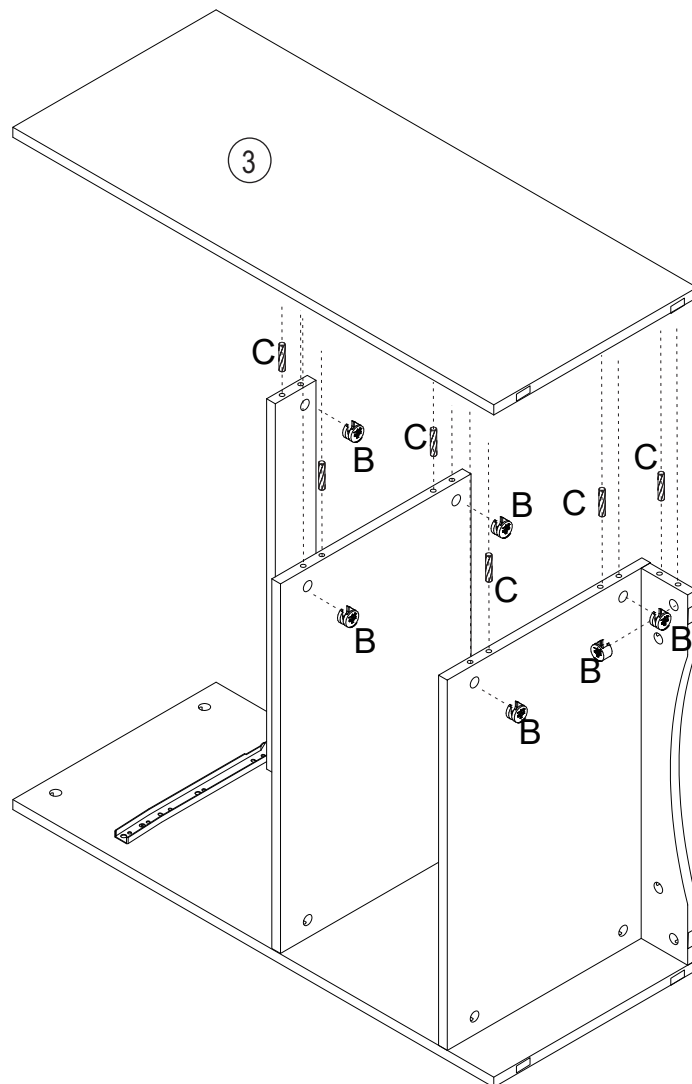
STEP 2



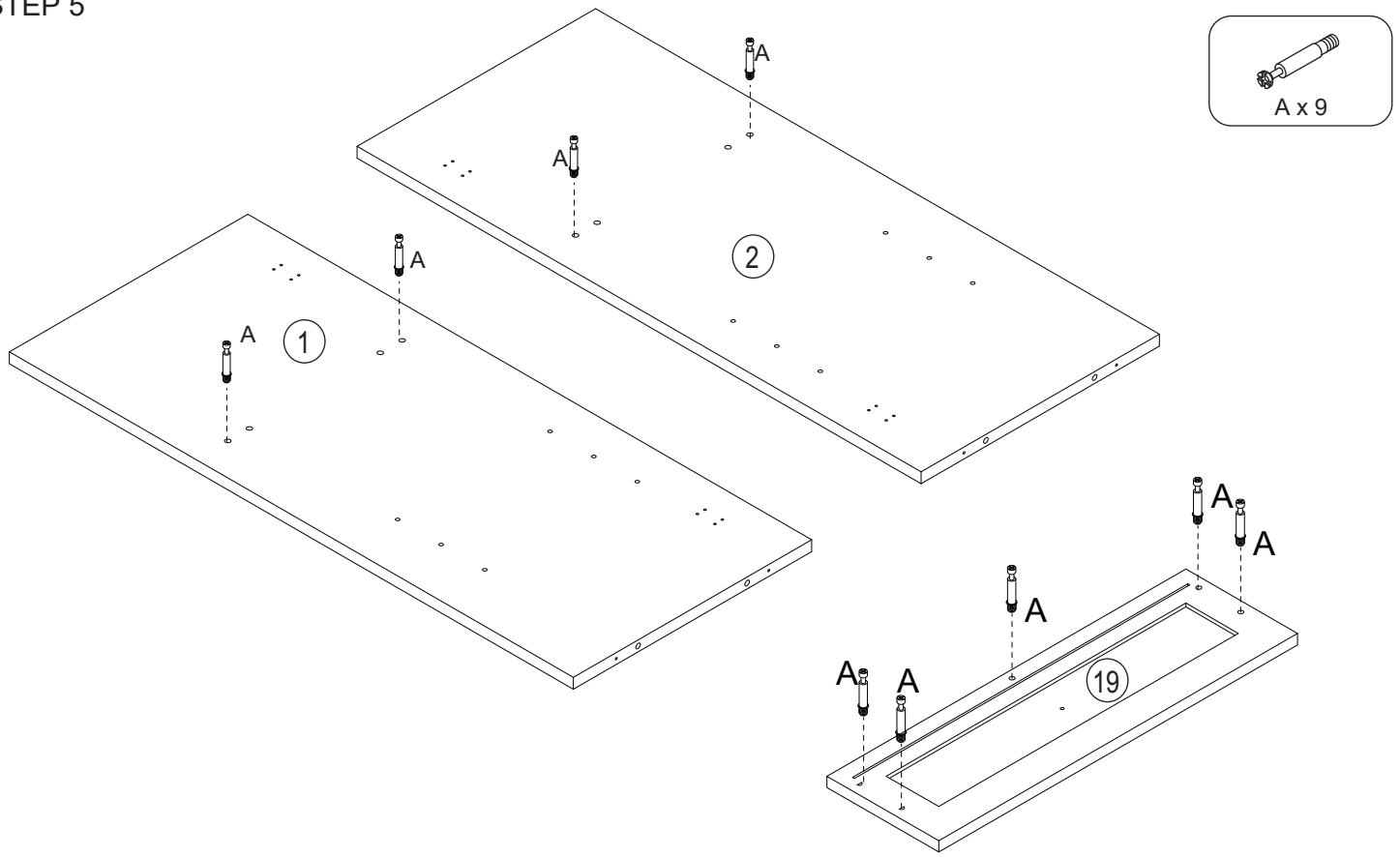
STEP 3



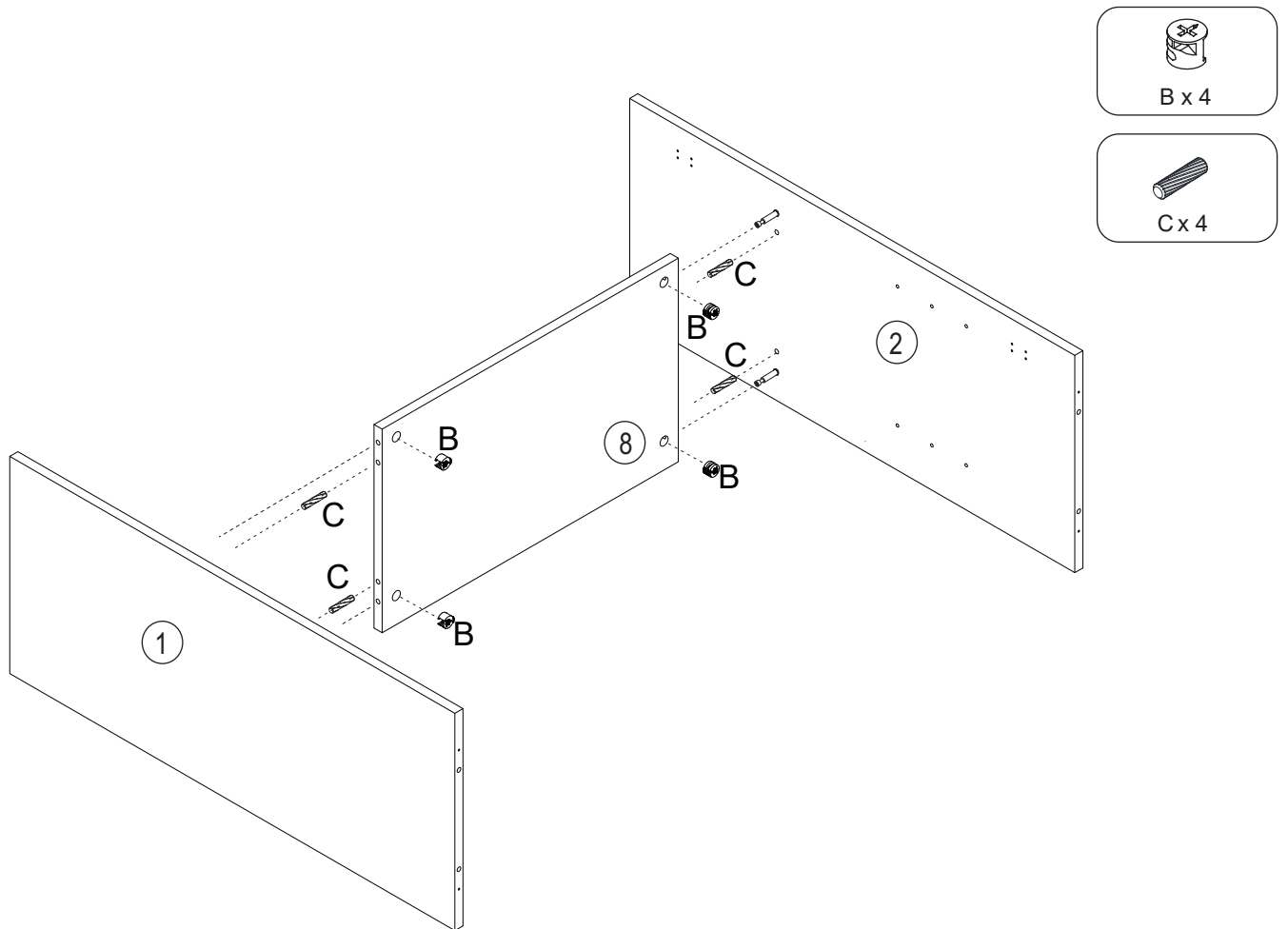
STEP 4



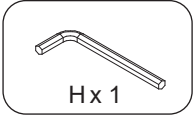
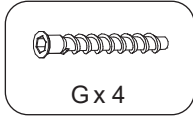
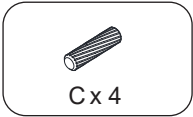
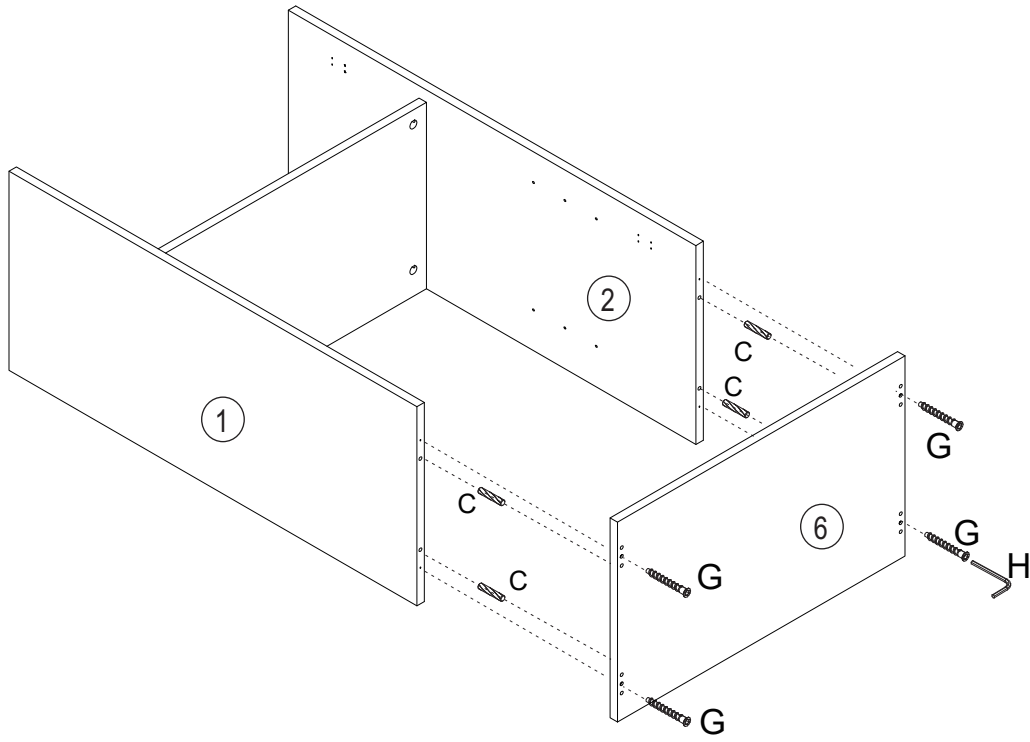
STEP 5



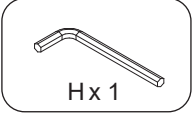
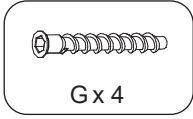
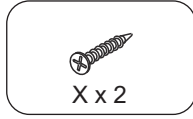
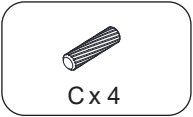
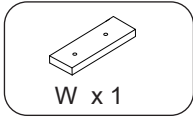
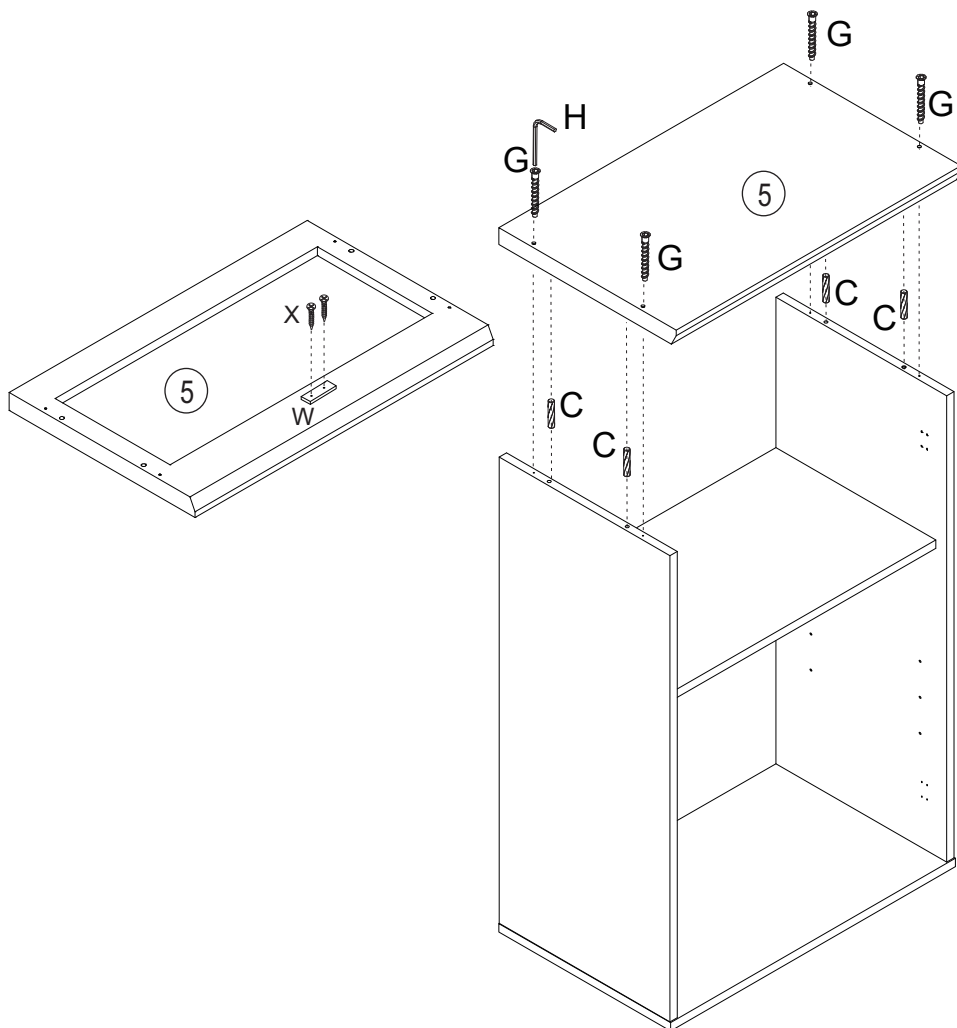
STEP 6



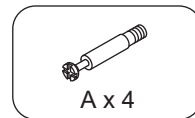
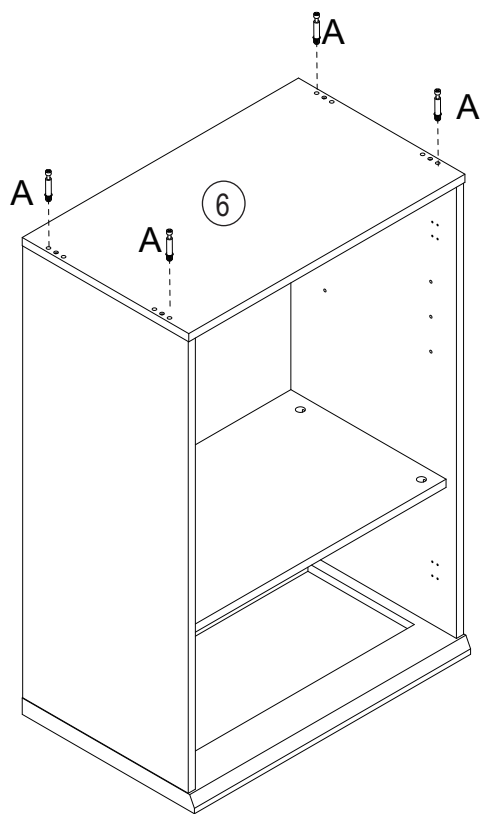
STEP 7



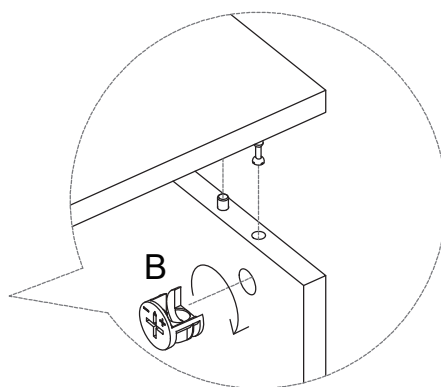
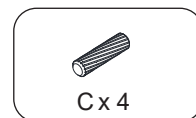
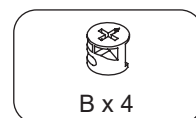
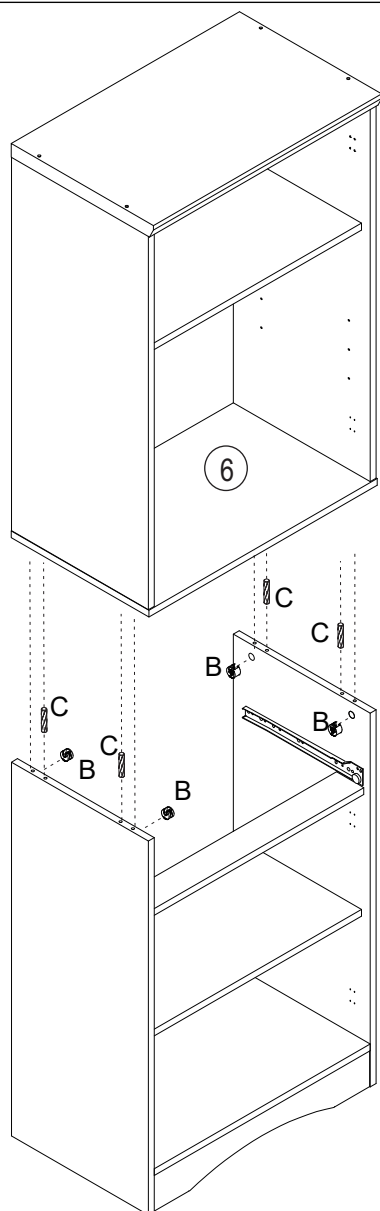
STEP 8



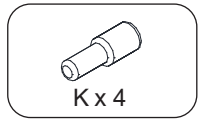
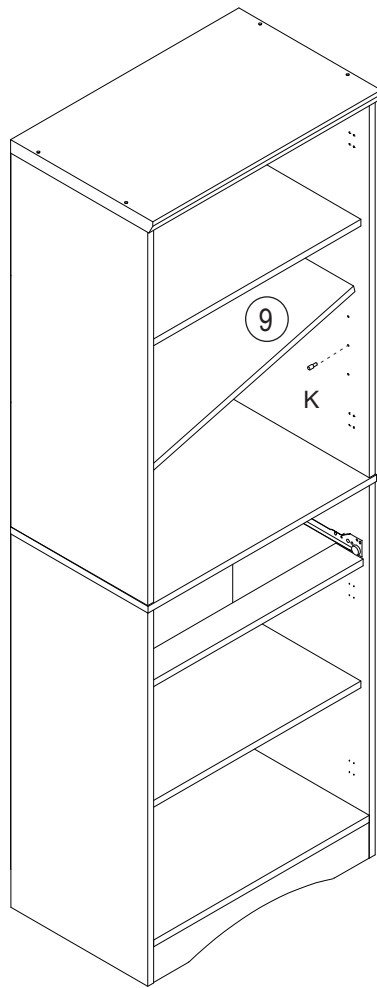
STEP 9



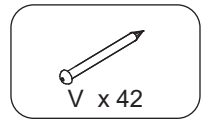
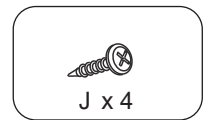
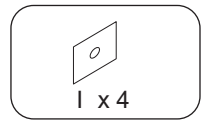
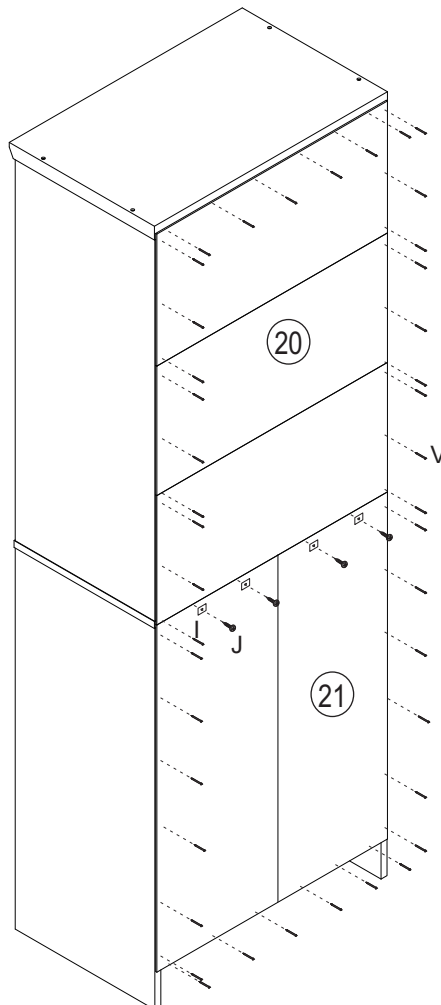
STEP 10



STEP 11

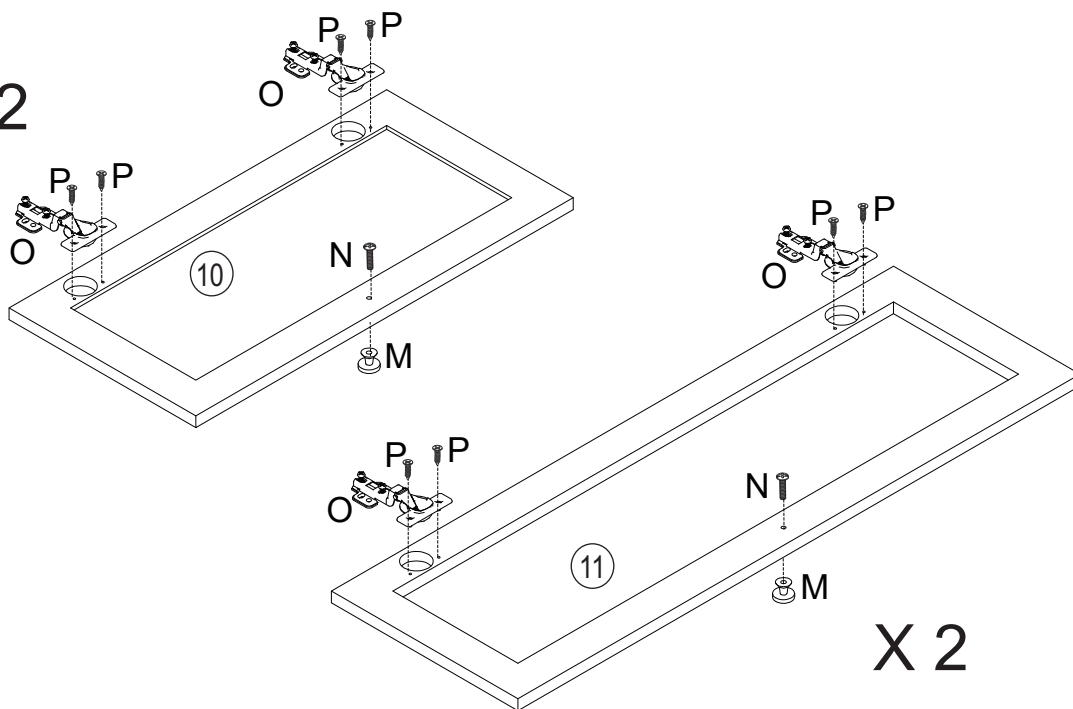


STEP 12



STEP 15

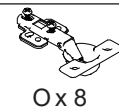
X 2



N x 4



M x 4

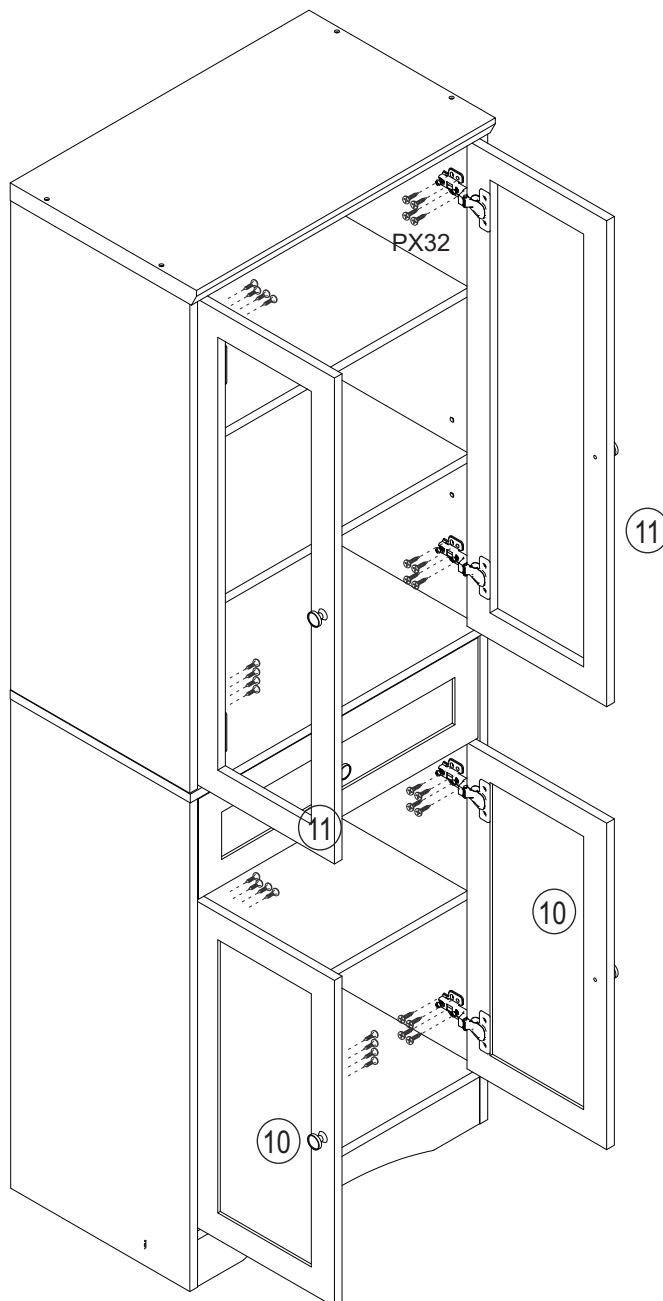


O x 8



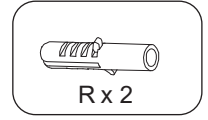
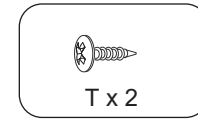
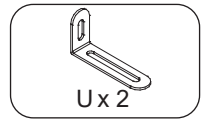
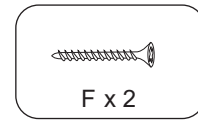
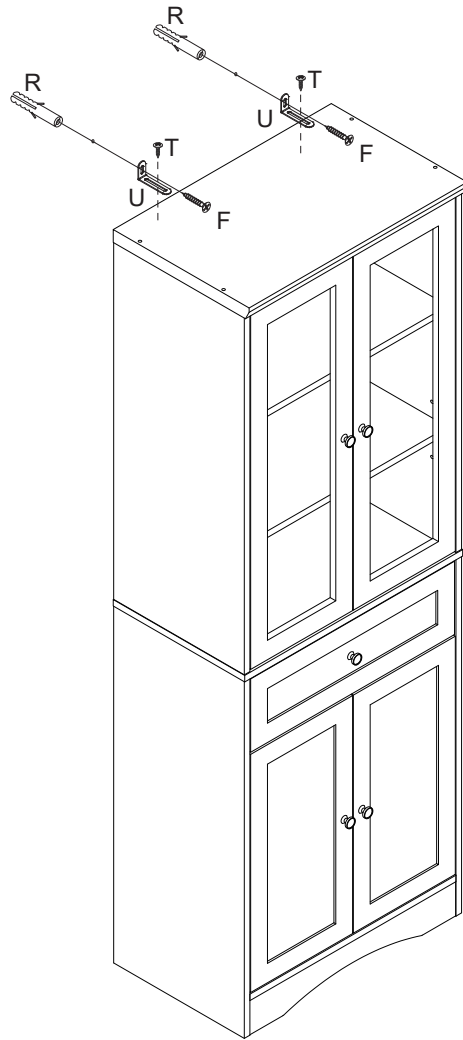
P x 16

STEP 16

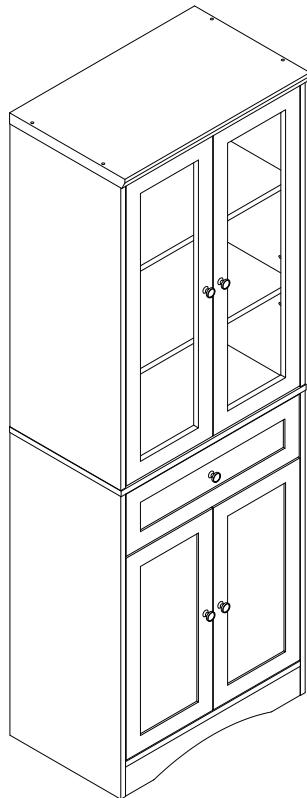


P x 32

STEP 17



STEP 18



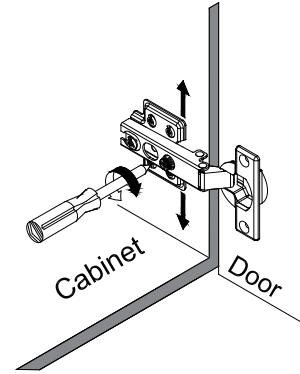
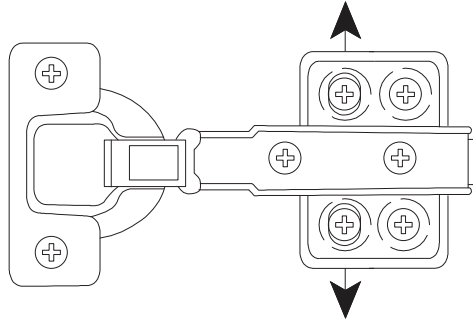
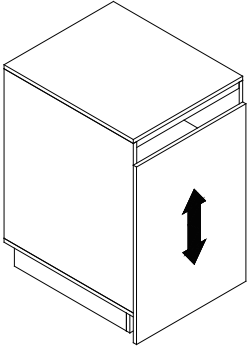
Attention: For safety and stability, we suggest you have to secure the anti-tip accessories to the wall to prevent tipping, injury, and property damage.

Installation Completed

Cabinet Door Adjustment Instructions

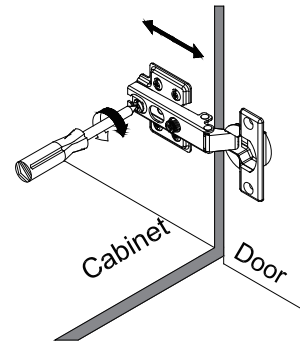
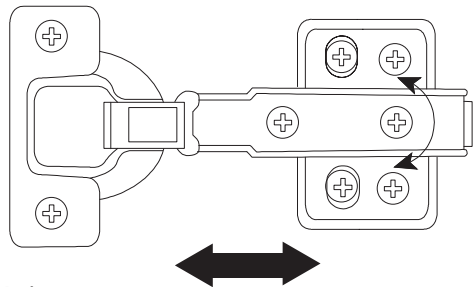
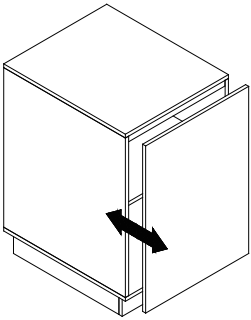
Height adjustment:

- Locate the height adjustment screws on the hinge.
- Use the Phillips screwdriver to either tighten or loosen the screws to raise or lower the cabinet door as desired.



Side-to-side adjustment:

- If the cabinet door needs to be moved closer to or away from the cabinet frame, locate the side-to-side adjustment screws on the hinge.
- Use the Phillips screwdriver to adjust these screws and gradually move the door in the desired direction.



Depth adjustment (if applicable):

- Check if the cabinet door needs to be brought closer to or further away from the cabinet frame.
- For depth adjustment, locate the depth adjustment screws on the hinge.
- Use the Phillips screwdriver to turn these screws clockwise or counterclockwise accordingly.

