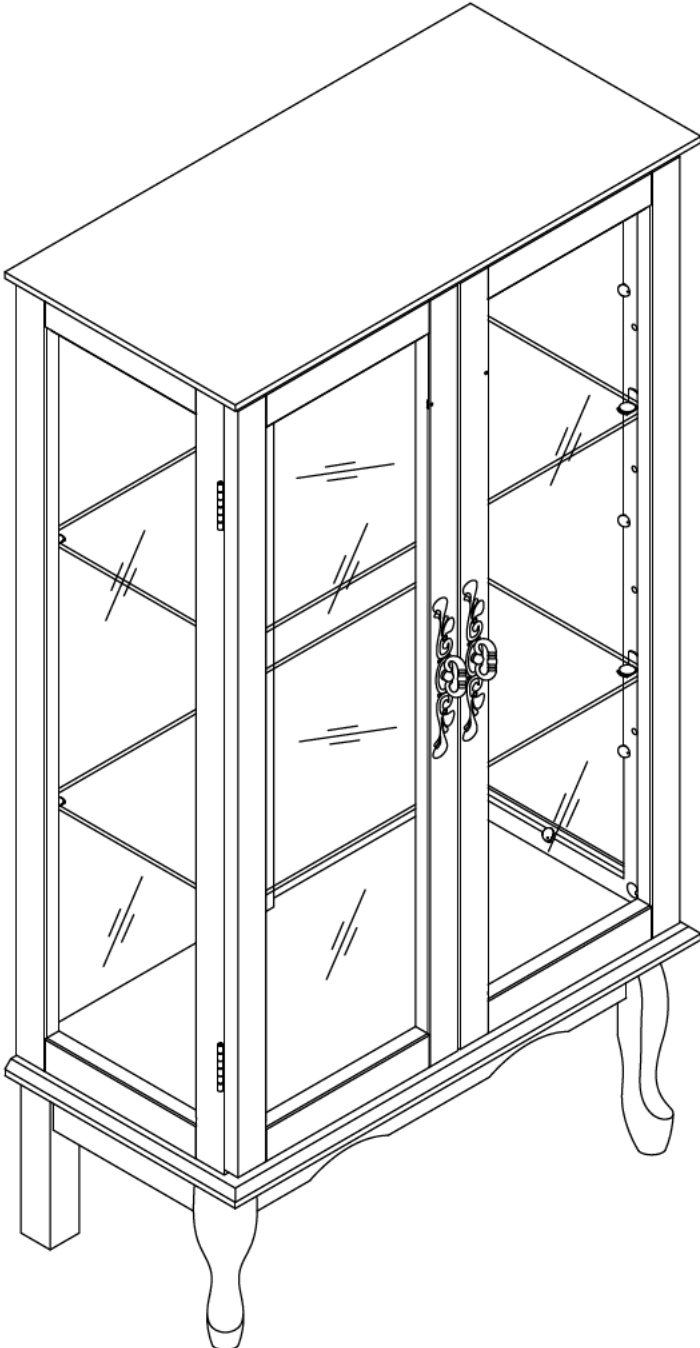
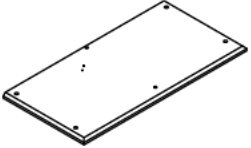
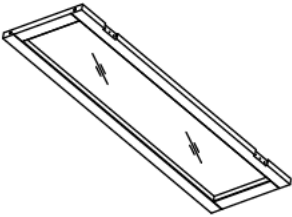
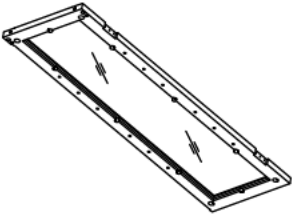
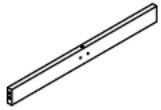
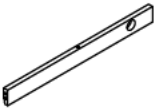
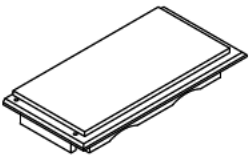




# ASSEMBLY INSTRUCTION


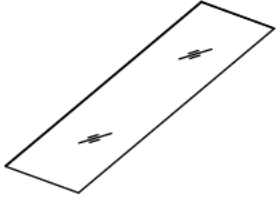
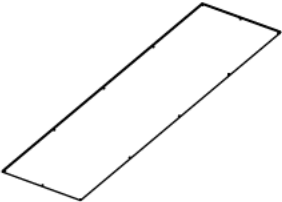
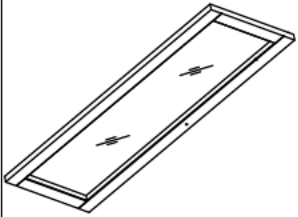
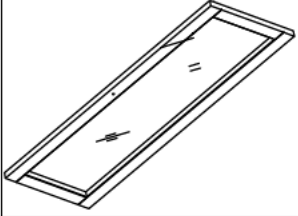
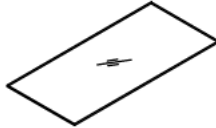
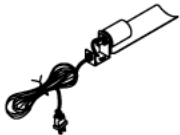


# ASSEMBLY INSTRUCTION











## Part List:

ITEM	DESCRIPTION	PART	QTY
1	Top panel		1
2	Left side panel		1
3	Right side panel		1
4	Front crosspiece		1
5	Back crosspiece		1
6	Base		1
7	Front leg		2
8	Back leg		2


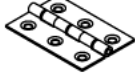







## Part List:

ITEM	DESCRIPTION	PART	QTY
9	Vertical bar		1
10	Mirror		2
11	Back panel		2
12	Left door		1
13	Right door		1
14	Shelf glass		2
15	Lamp unit		1

## Hardware List:

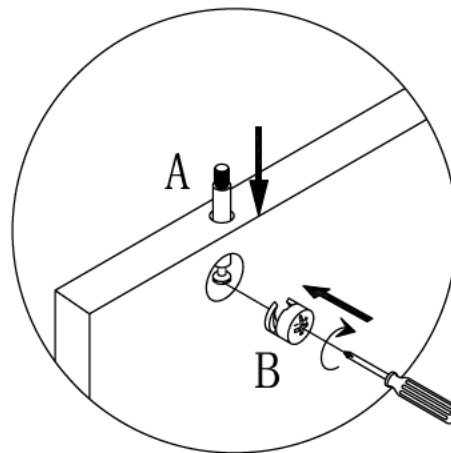
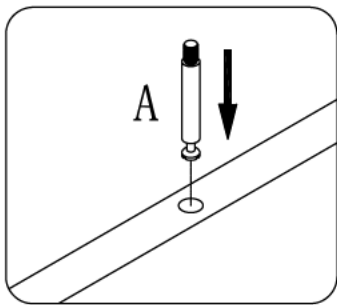
ITEM	DESCRIPTION	PART	QTY
A	Camlock bolt		12
B	Camlock		12
C	Wooden dowel	 Φ8*30mm	6
D	Bolt	 Φ1/4"*1 1/2"	8
E	Lock washer		8
F	Flat washer		9
G	Allen wrench		1
H	Metal plate		2
I	Handle		2
J	Machine screw	 Φ5/32*3/4"	2

## Hardware List:

ITEM	DESCRIPTION	PART	QTY
K	Wood screw	 Φ3*12mm	26
L	Hinge		4
M	Connecting slice		2
N	Round head screw	 Φ3*12mm	4
O	Back screw	 Φ3*12mm	24
P	Shelf support		8
Q	Safety wall strap		1
R	Plastic anchor		1
S	Mounting screw	 Φ4*38mm	1

- \* Required screwdriver & mallet, not included.
- \* Before discarding packing materials, please check to make sure that all parts and hardware is present.
- \* Two people needed for assembly.
- \* Please follow the instructions closely; do not over tighten screws or bolts unless instructed.
- \* After a few days from initial assembly, the product may have acclimated to the new environment. Please retighten the hardware.

## Guideline For Assembling of Cam Lock(A & B)



Screw camlock bolt (A) to wood part.

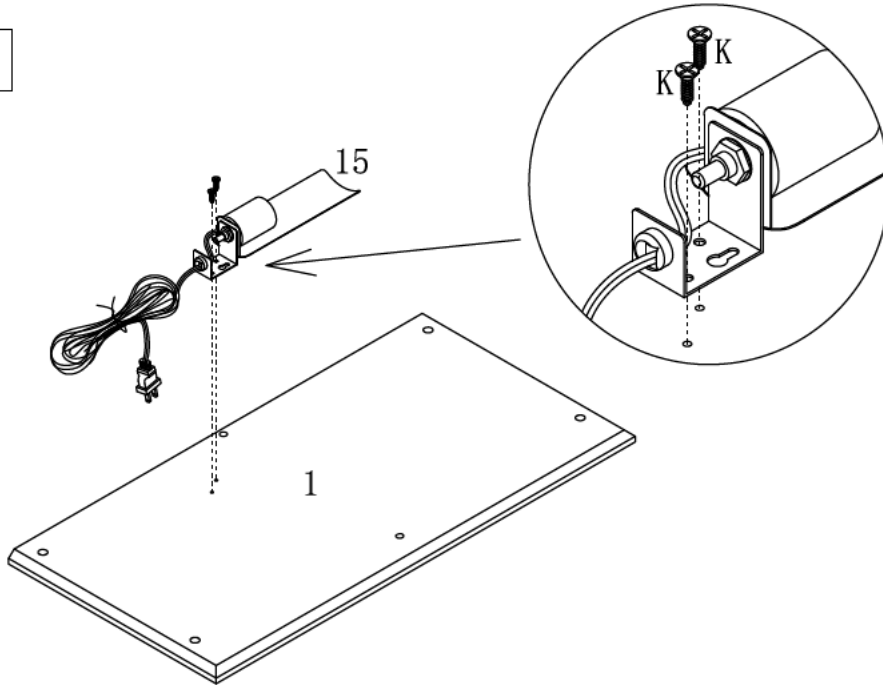
Do not assemble camlock (B) unless instructed.

To assemble camlock (B), ensure long side of the + is facing the bolt (A) before inserting into hole.





# ASSEMBLY INSTRUCTION

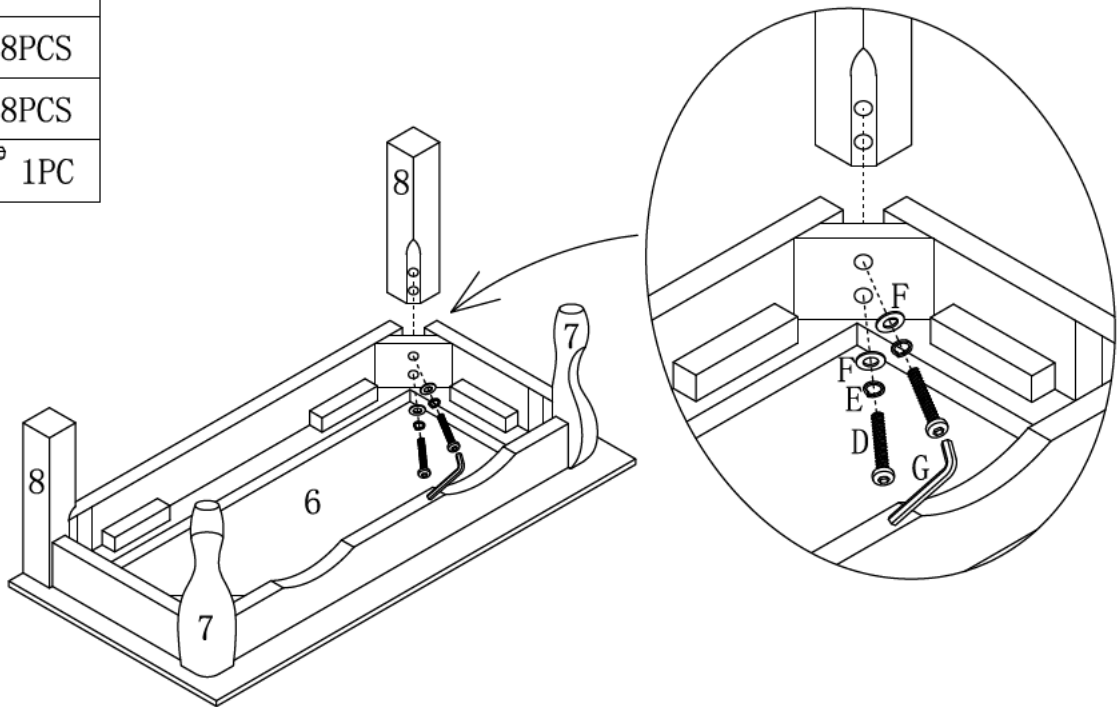
## STEP 1

K:  2PCS






## STEP 2

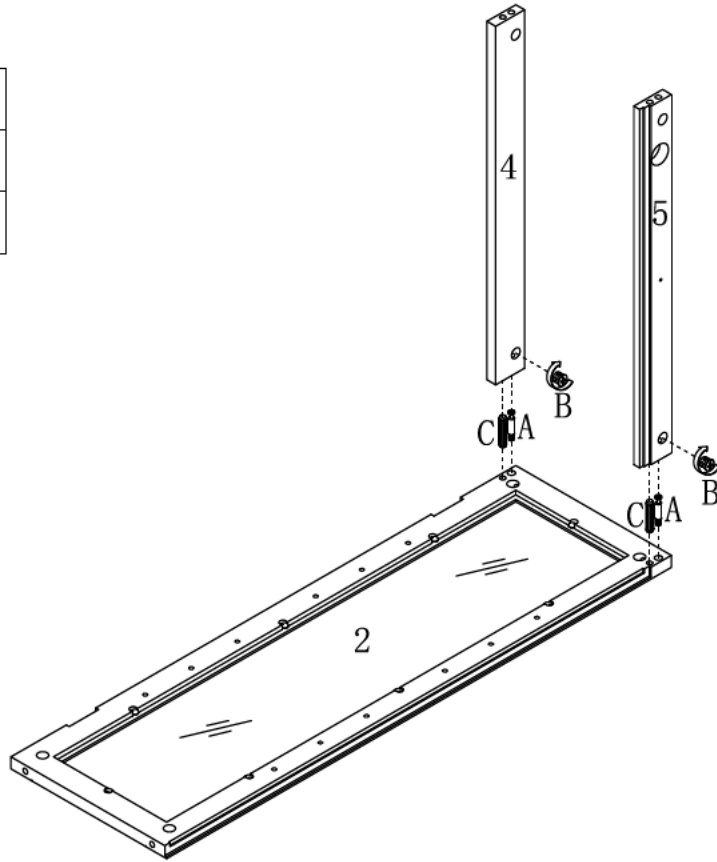
D:  8PCS  
E:  8PCS  
F:  8PCS  
G:  1PC



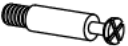


# ASSEMBLY INSTRUCTION

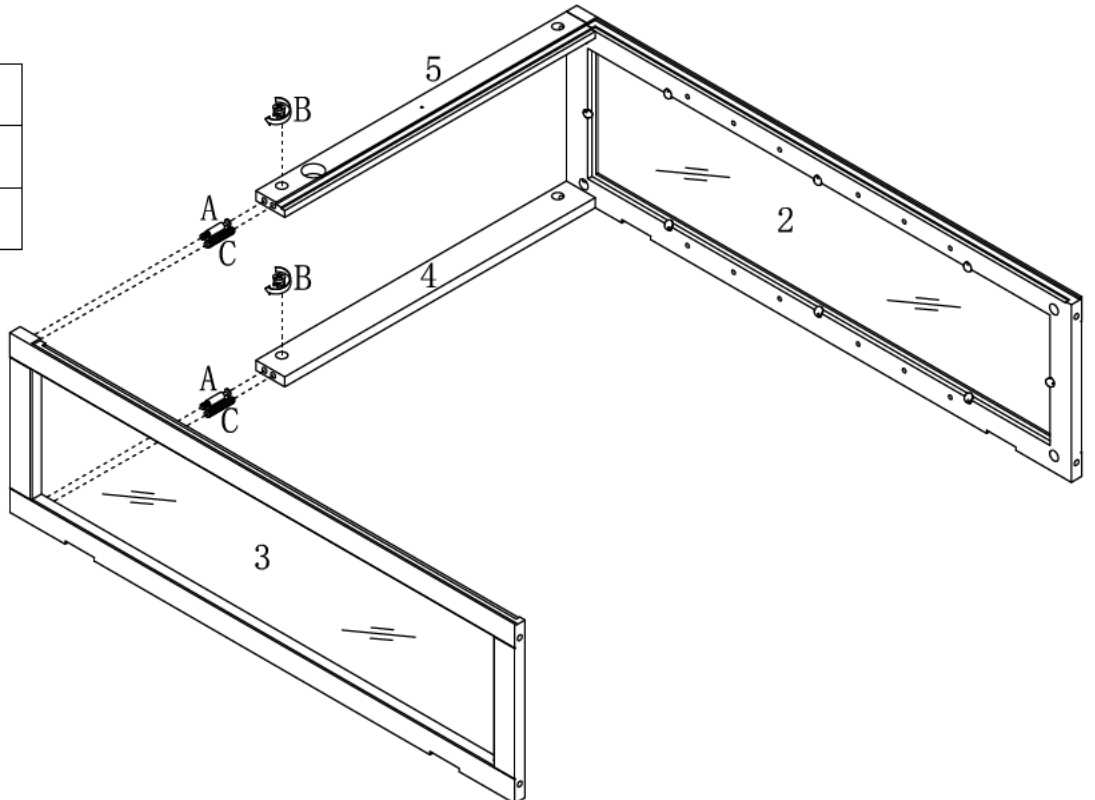
## STEP 3

A:		2PCS
B:		2PCS
C:		2PCS




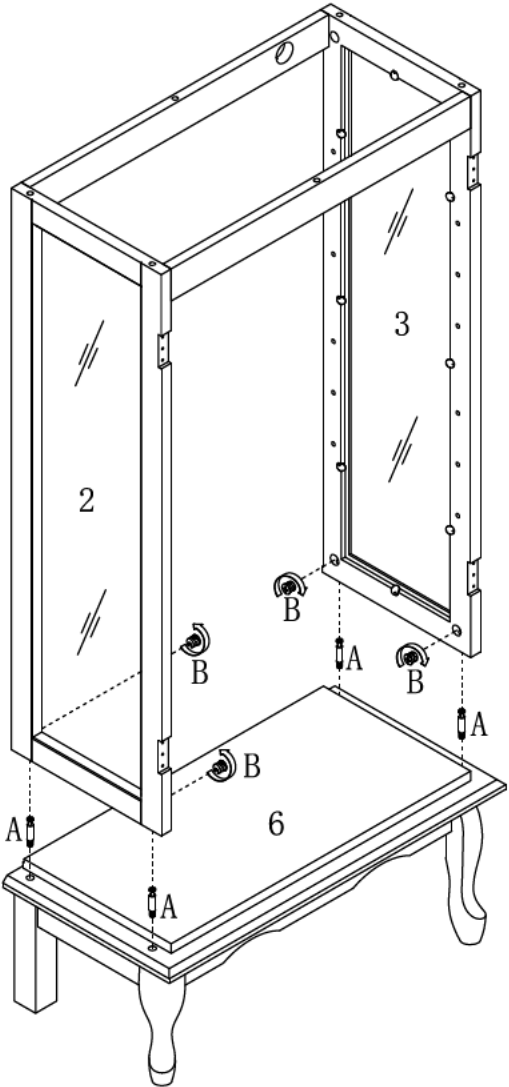
## STEP 4

A:		2PCS
B:		2PCS
C:		2PCS






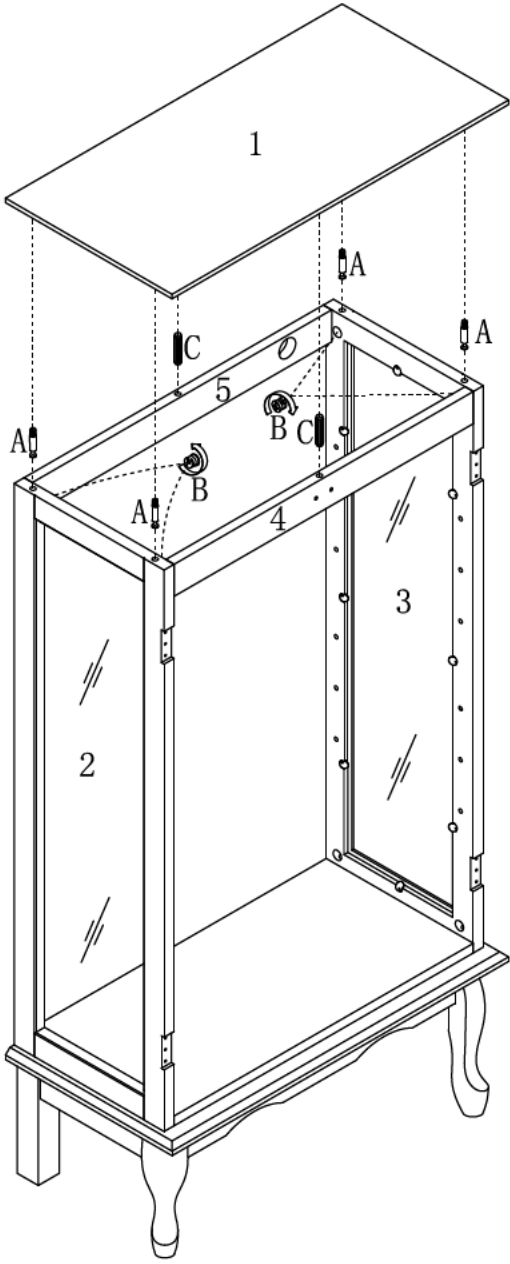
STEP 5

- |    |   |      |
|----|---|------|
| A: |  | 4PCS |
| B: |  | 4PCS |







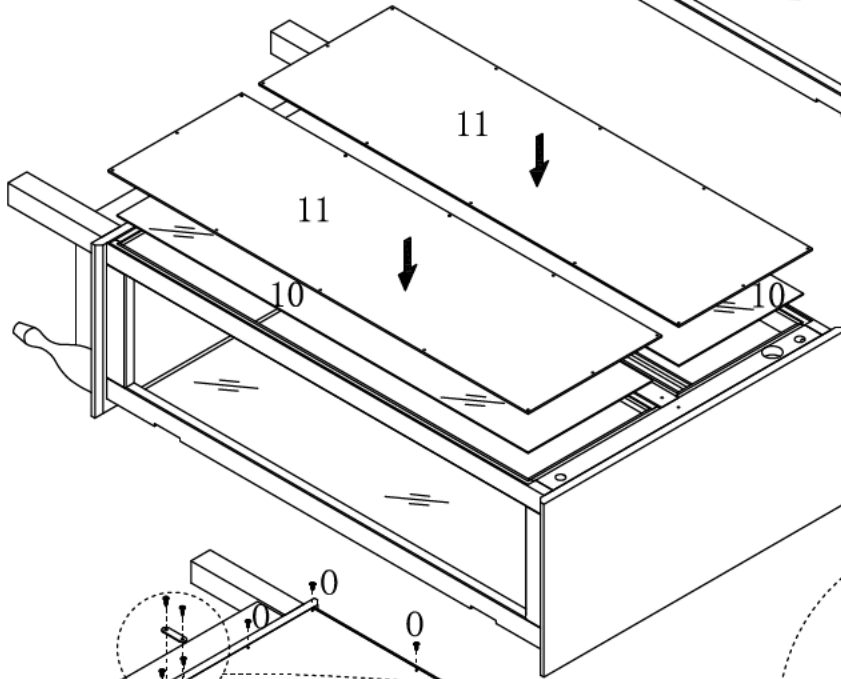
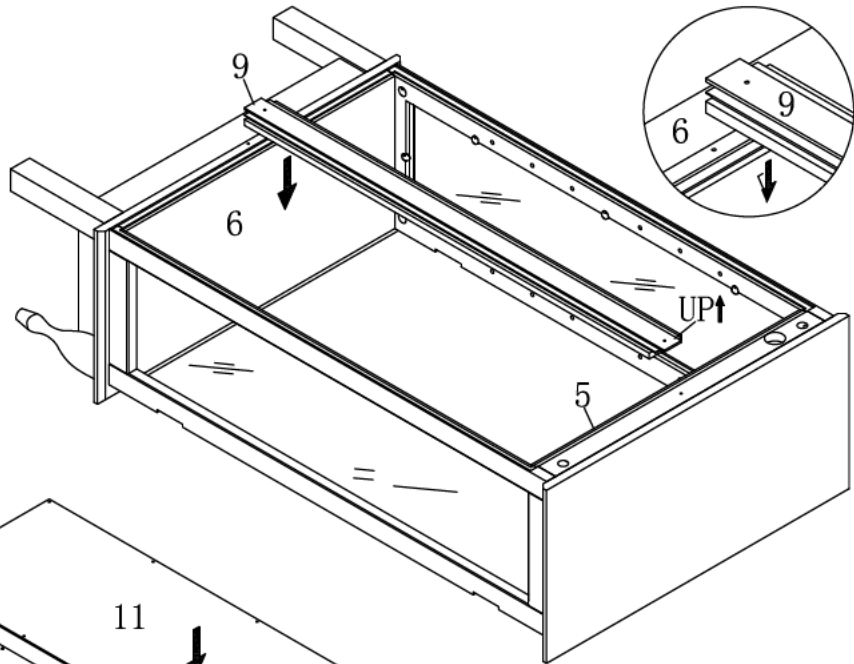
STEP 6

- |    |  |      |
|----|--|------|
| A: |  | 4PCS |
| B: |   | 4PCS |
| C: |   | 2PCS |

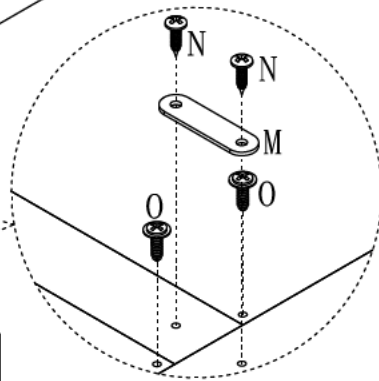
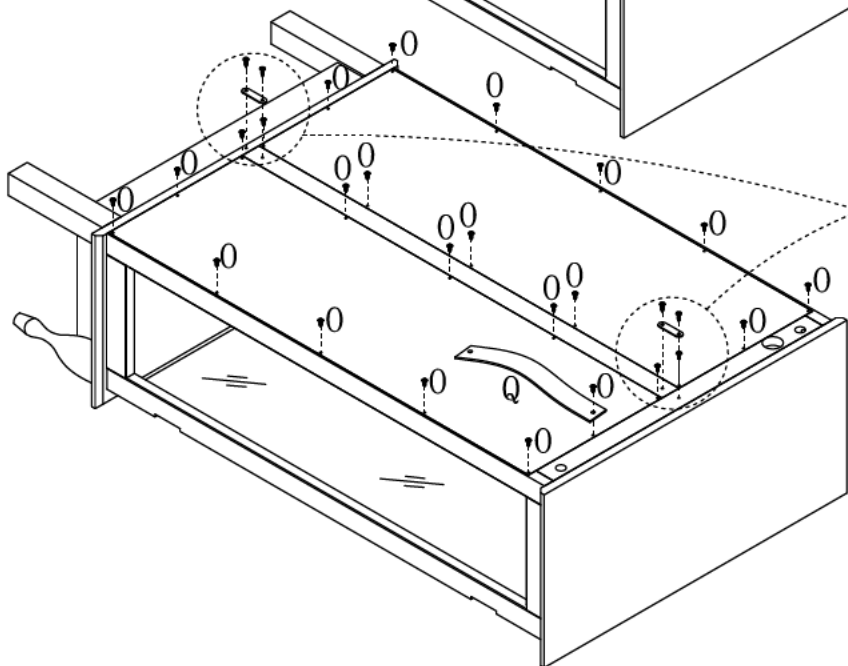


## STEP 7

M:		2PCS
N:		4PCS
O:		24PCS
Q:		1PC








Please tear off the protective film of the mirror before assembling the mirror.

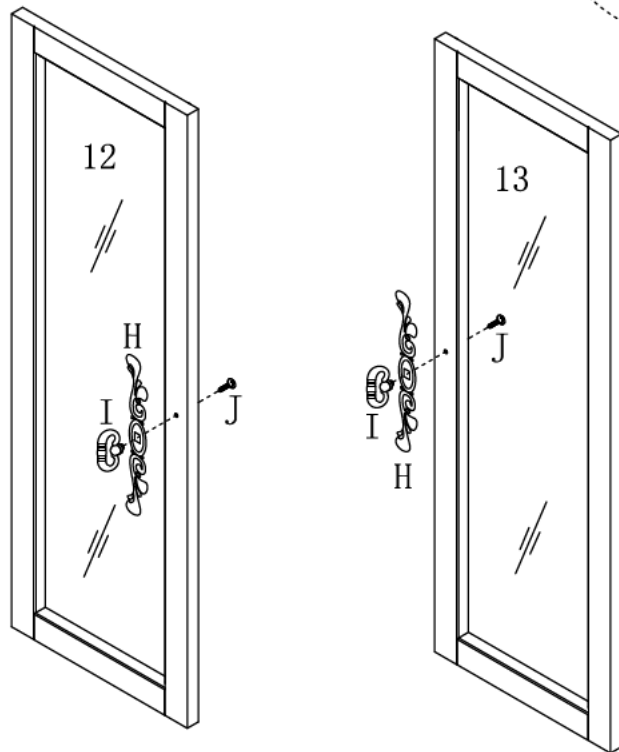
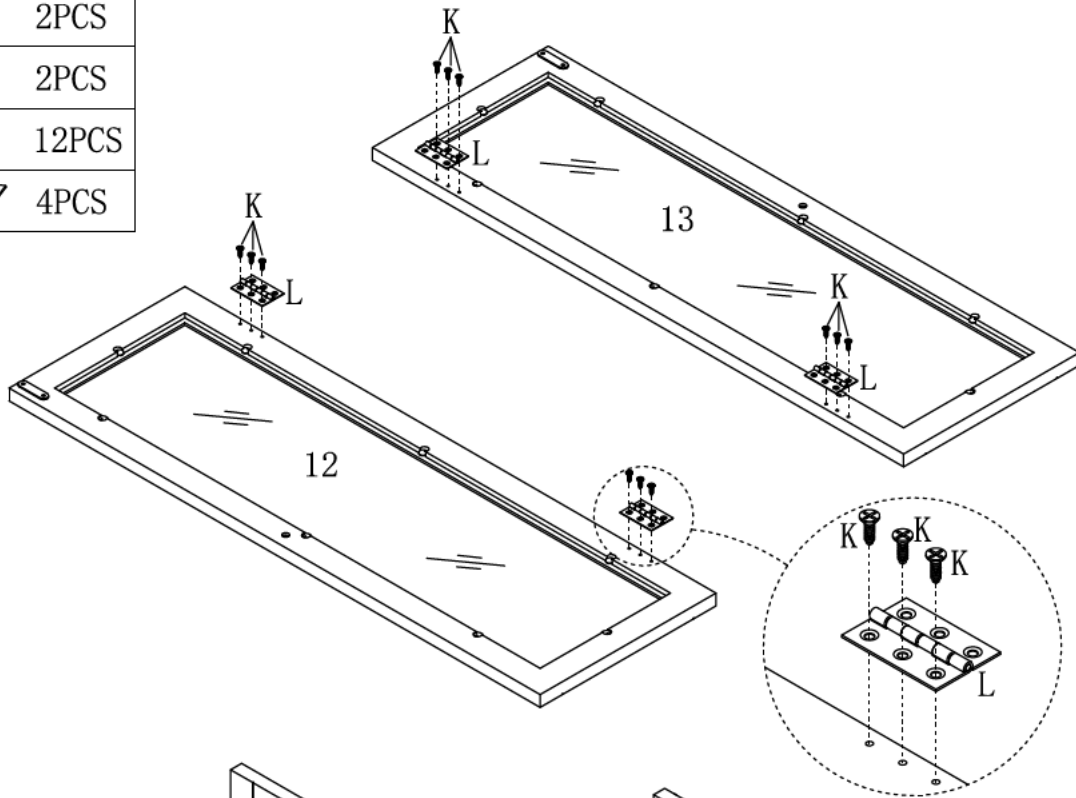


First, assemble Part#N & M, then assemble back screws Part#O.

# ASSEMBLY INSTRUCTION

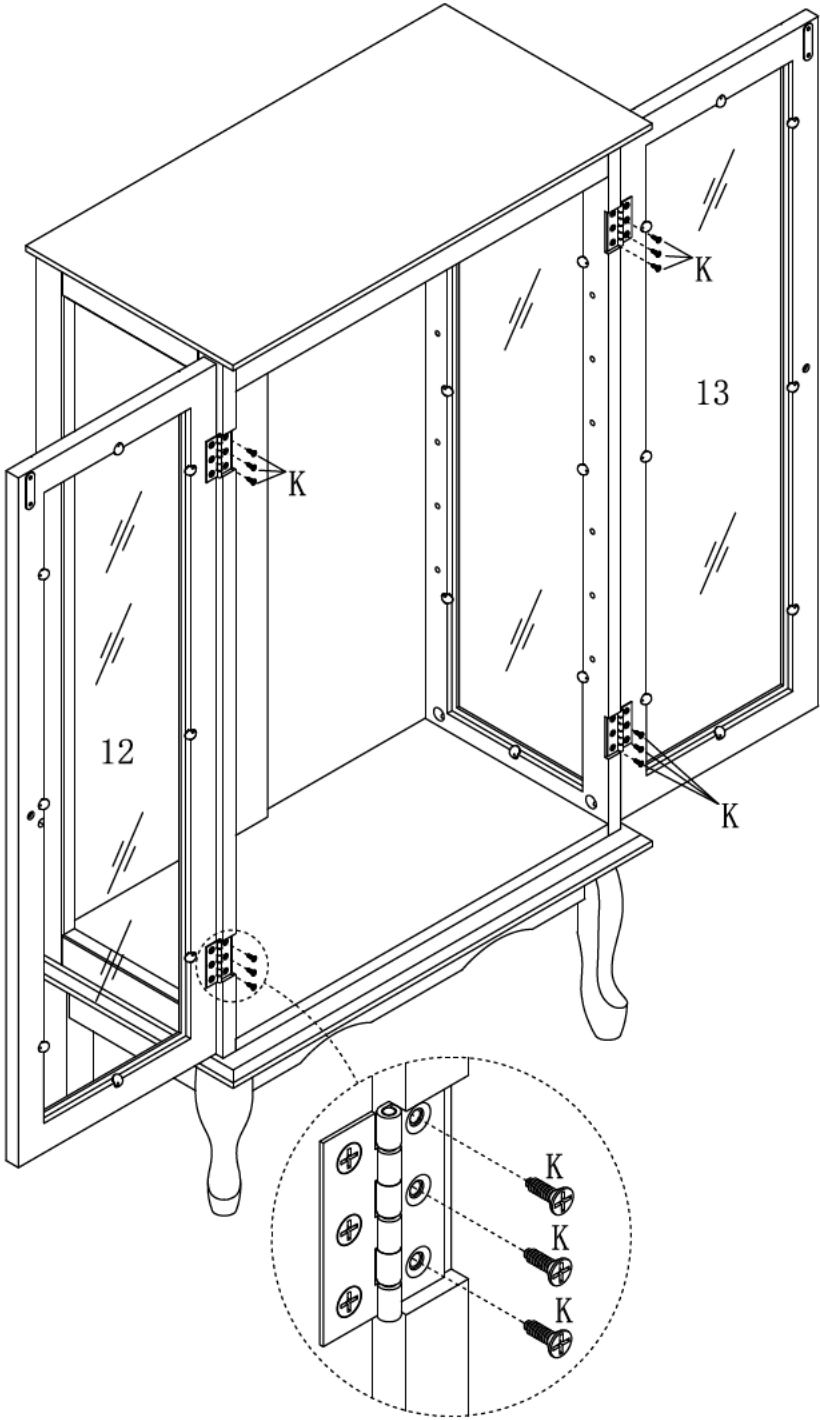
## STEP 8

H:		2PCS
I:		2PCS
J:		2PCS
K:		12PCS
L:		4PCS



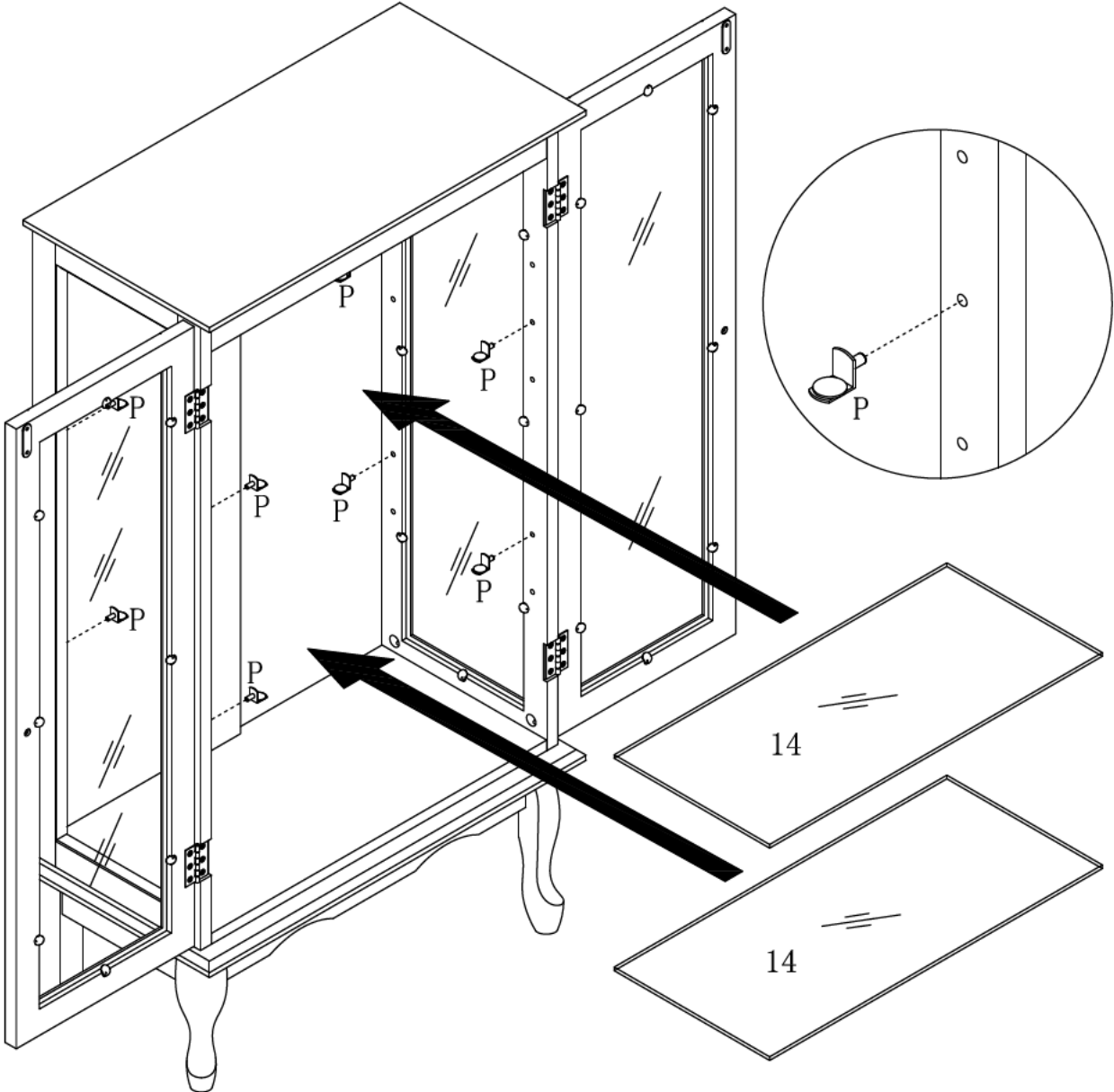
STEP 9

K:  12PCS






STEP 10

P:  8PCS



STEP 11

F:		1PC
R:		1PC
S:		1PC

