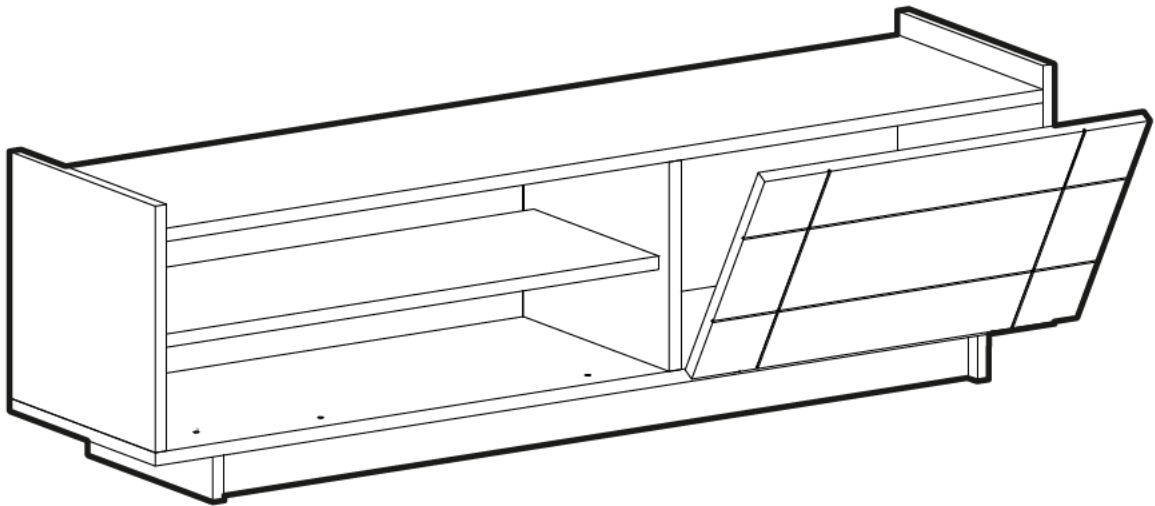
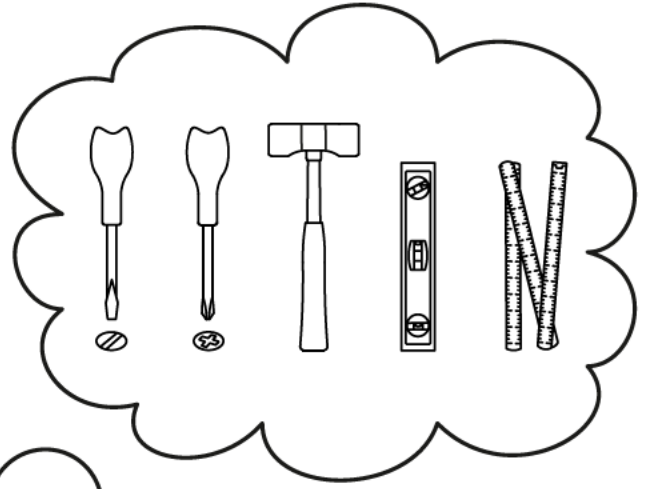
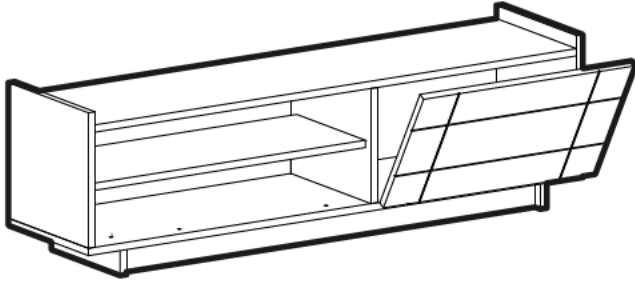
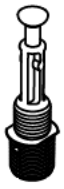


# Assembly Instruction





## Tools & Installation Components



A23 Q10 mil

12x



A02 15x14 gövde

12x



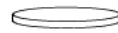
A17 6x50 KBN VDASI

7x



A19 3,5x16 SNT VDASI

8x



A21 Q15 ypşkn tapa 1

12x



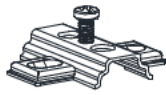
A21 Q12 ypşkn tapa 2

7x



C01 Düz

2x



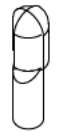
C04 aks37 taban

2x



A28 çivi

10x



P20 Raf pimi

4x

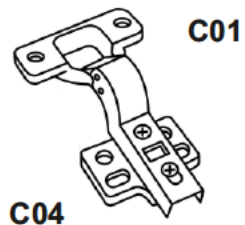


P30 8x30 kavela

4x

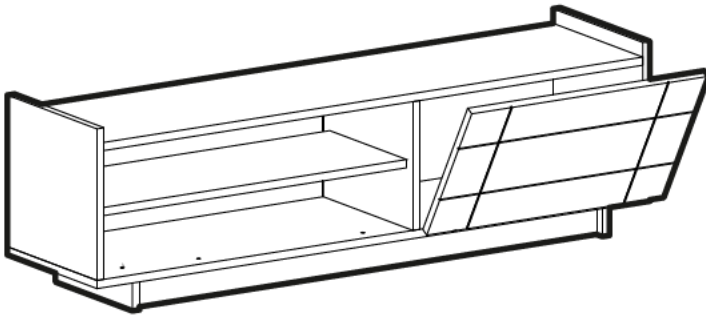


Please be aware that C01(bracket) and C04(pivot) parts may come as attached together.



C04

C01

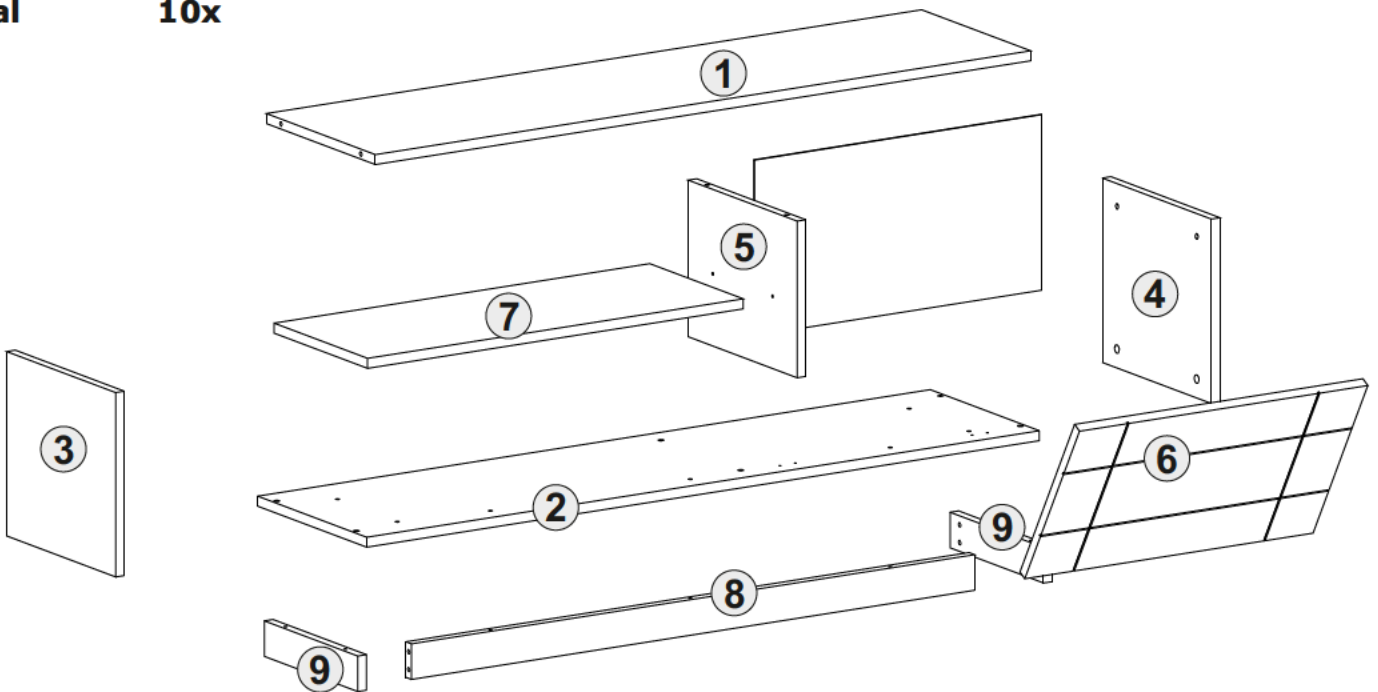


## Disassembled Parts

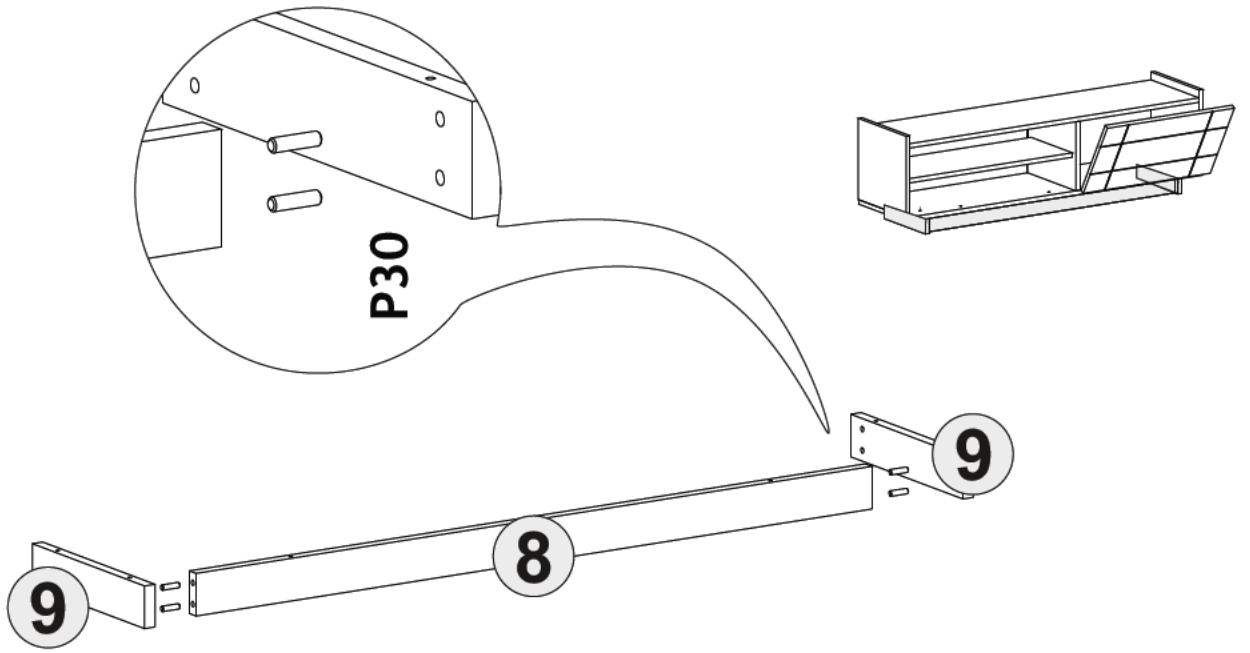
Part#1	1x
Part#2	1x
Part#3	1x
Part#4	1x
Part#5	1x
Part#6	1x
Part#7	1x
Part#8	1x
Part#9	2x

---

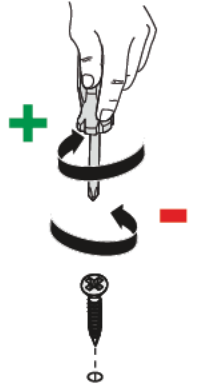
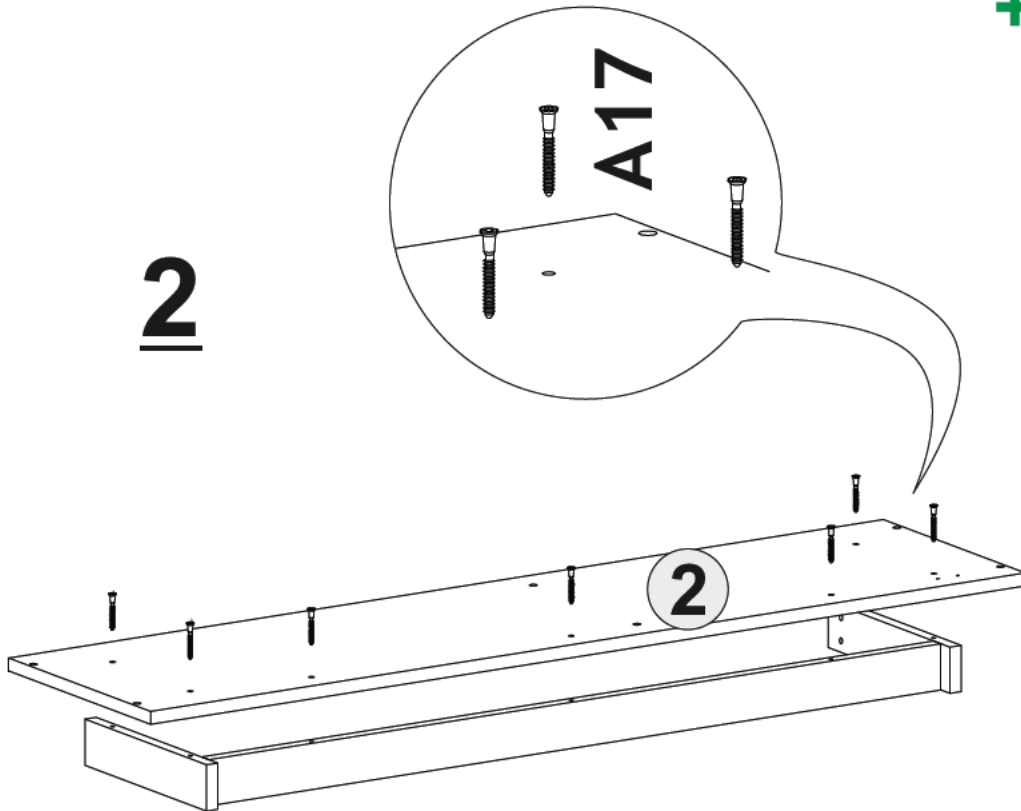
**Total 10x**



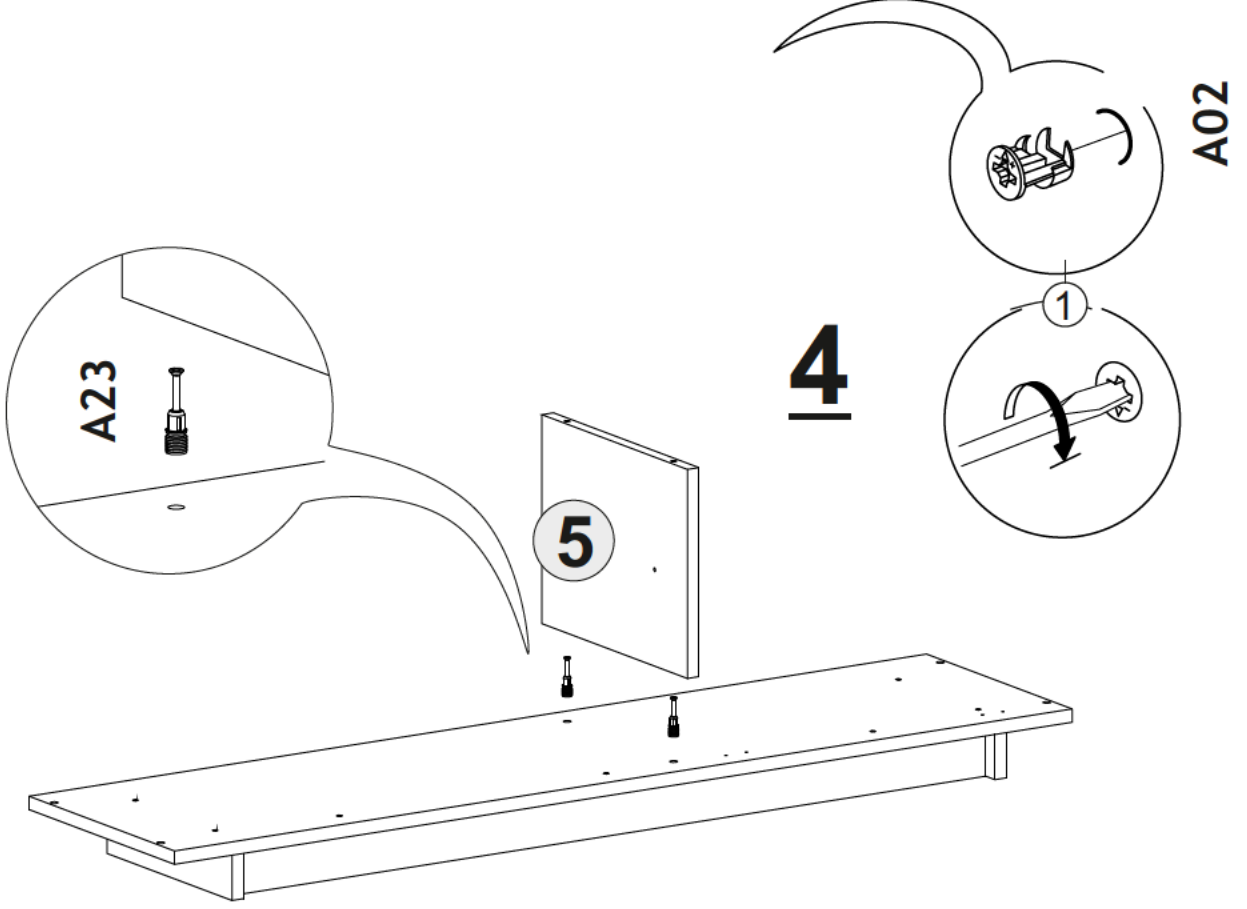
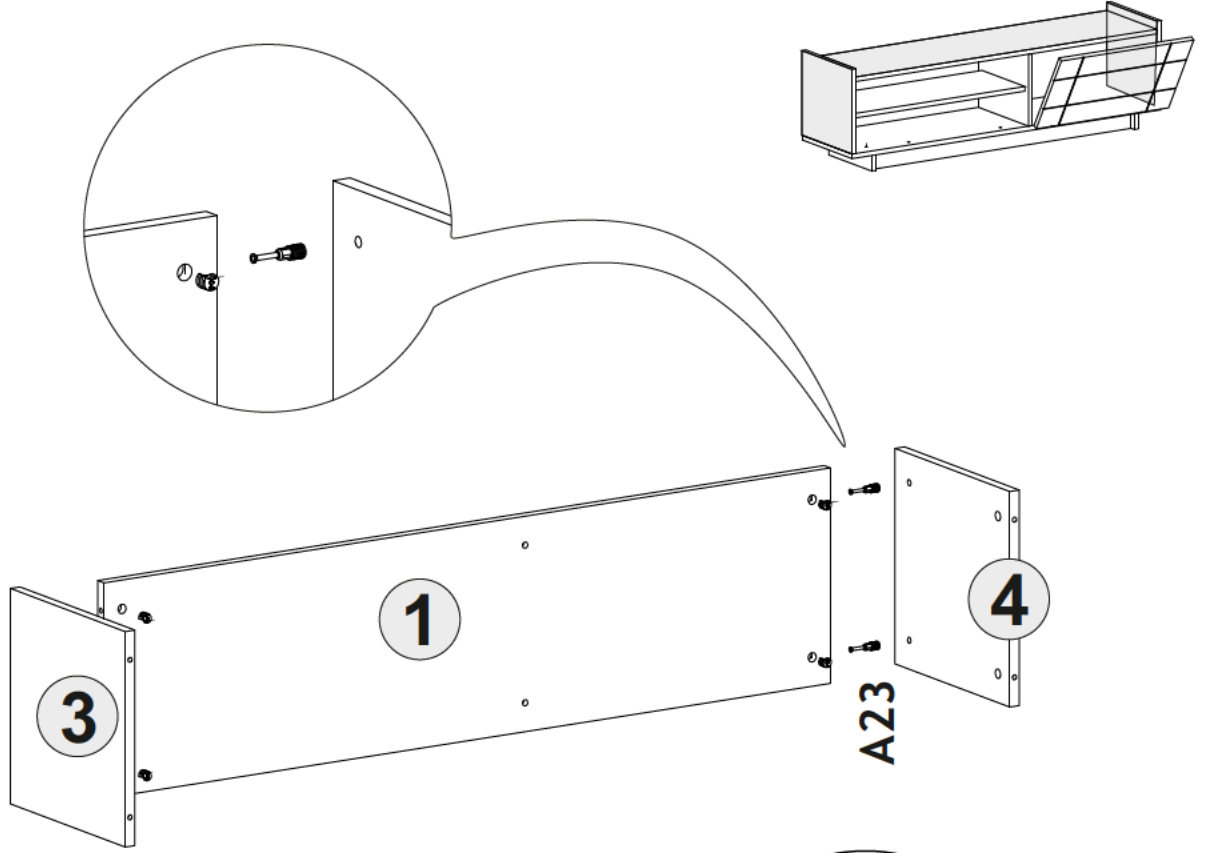
**1**



**2**

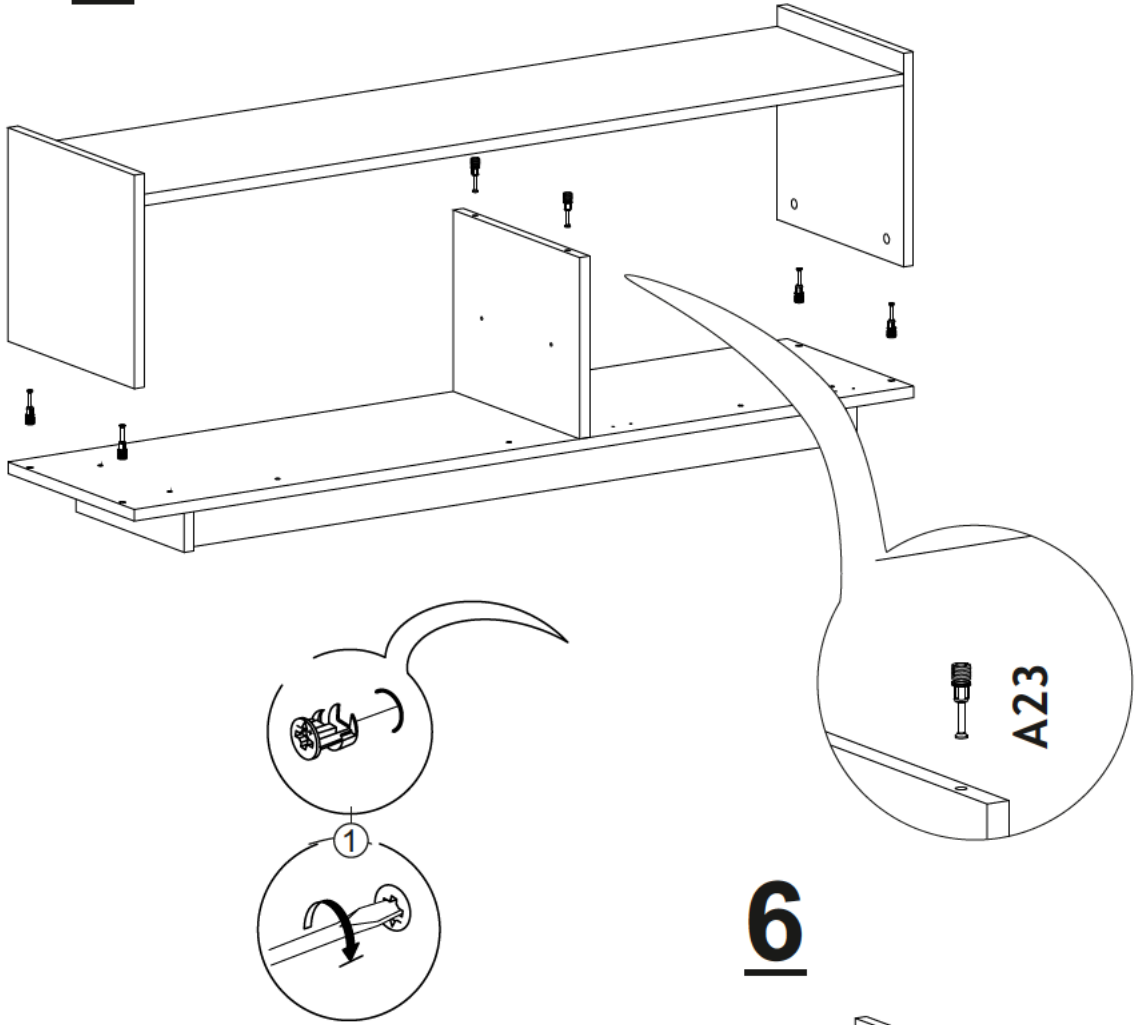


**3**

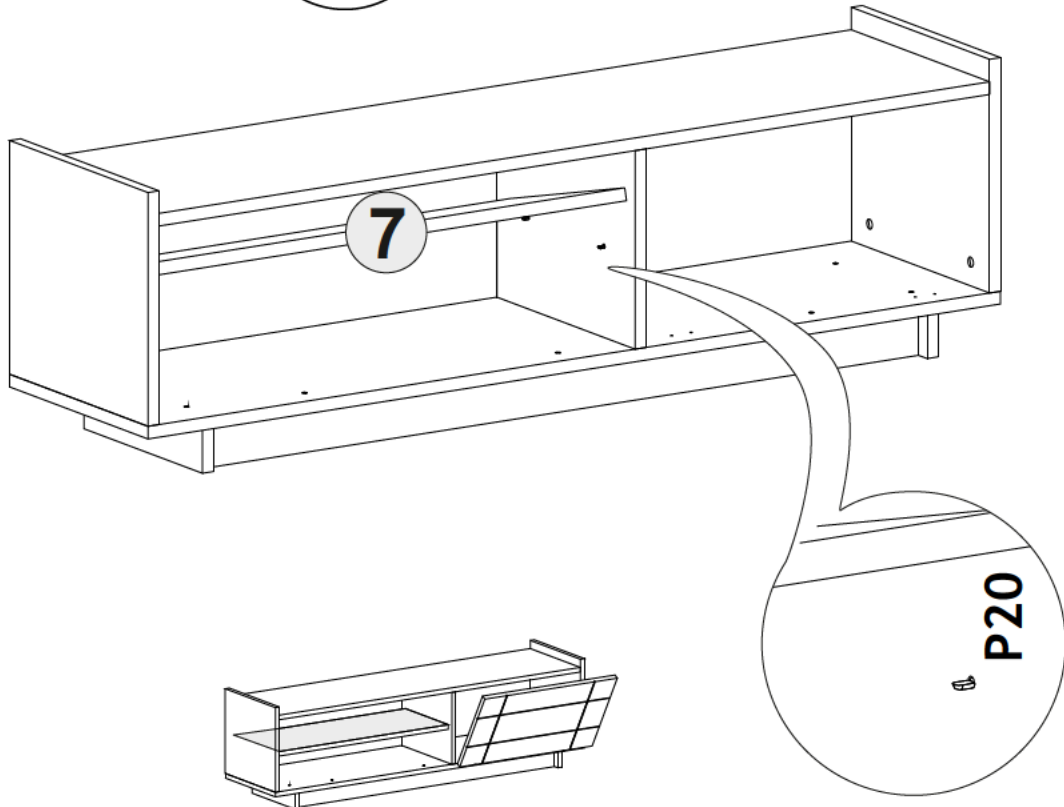


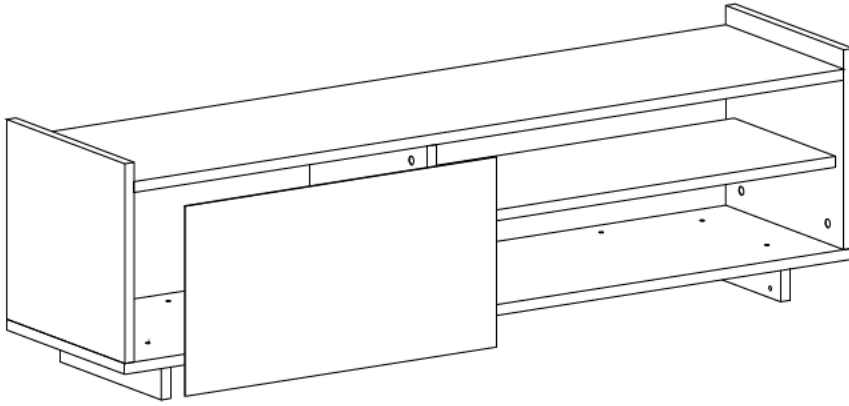
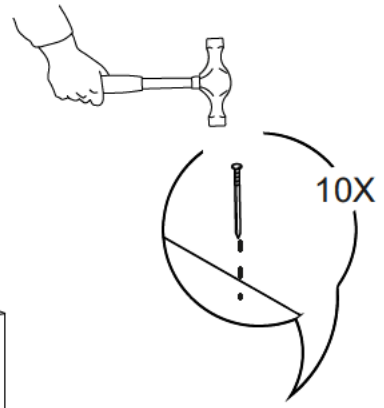
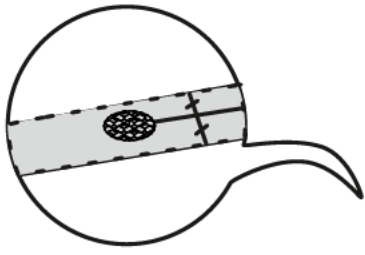
**6**

**5**

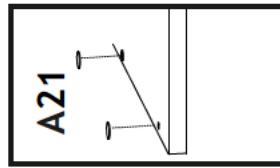
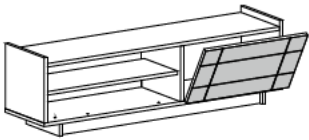


**6**





**7**



**8**

