
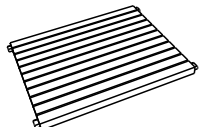
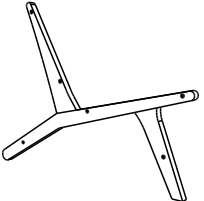
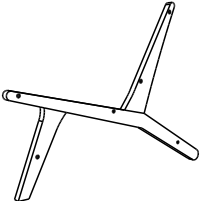
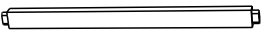


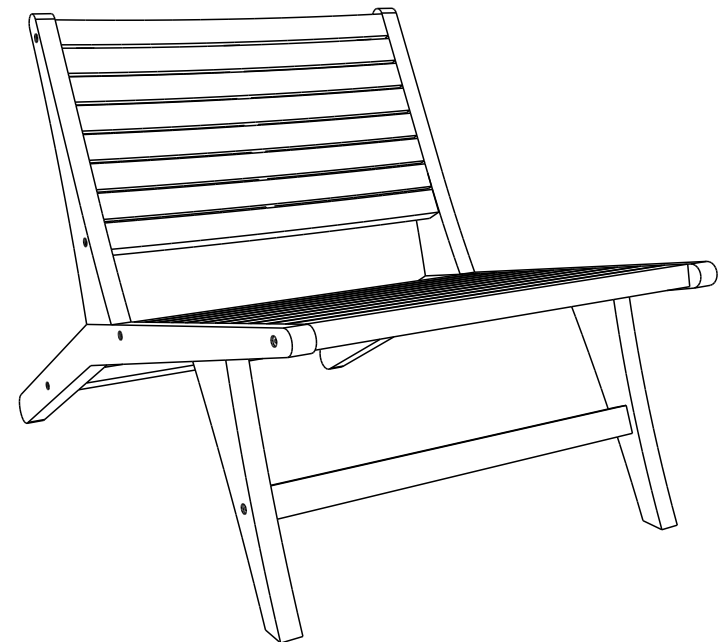


Part List And Hardware List

PIECE	DESCRIPTION	PICTURE	QUANTITY
A	Backrest		1x
B	Seat		1x
C	Leg Right		1x
D	Leg Left		1x
E	Foot Connection Front		1x
F	Foot Connection Back		1x
①	Coarse Screw	 50 mm	12x

Installation & Assembly

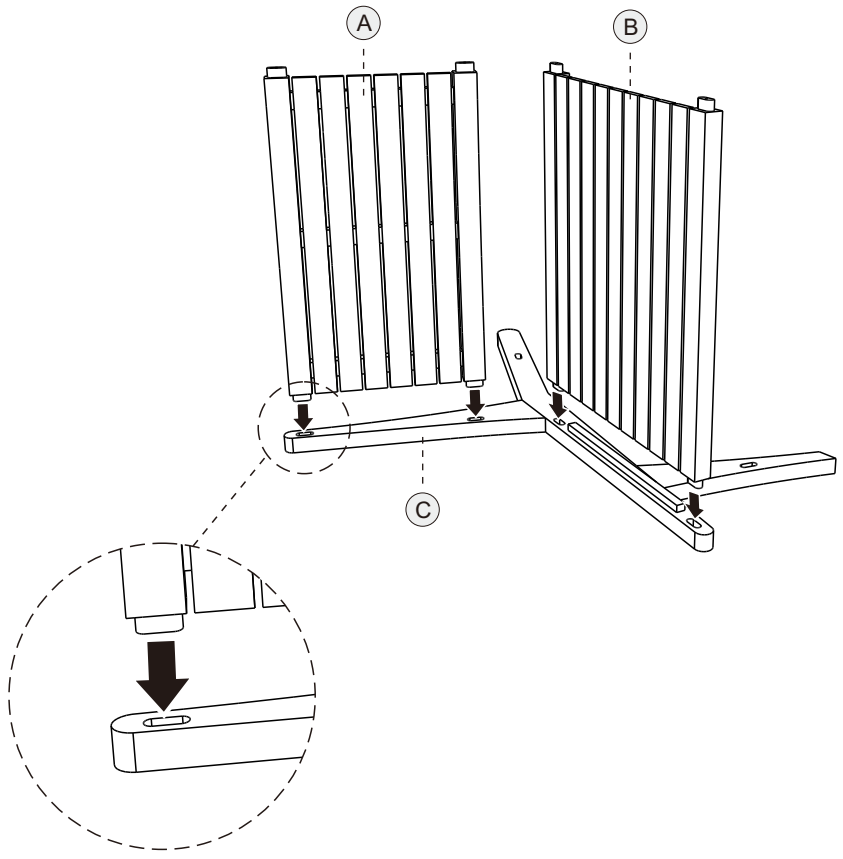
Product Dimension: 23,62"D x 36,22"W x 25,59"H



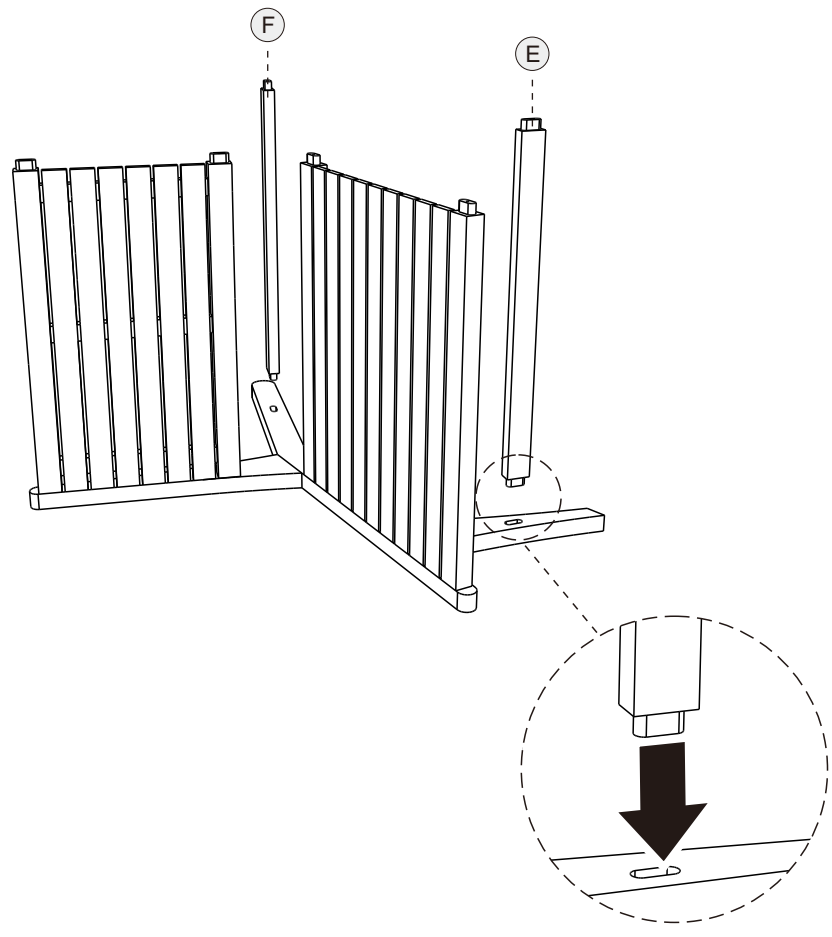
Persons required for assembly: 1 Person
Total estimated time for assembly: 10 mins

If there are any questions relating to defects, missing parts, assembly issues or replacements, please send a detailed email


1

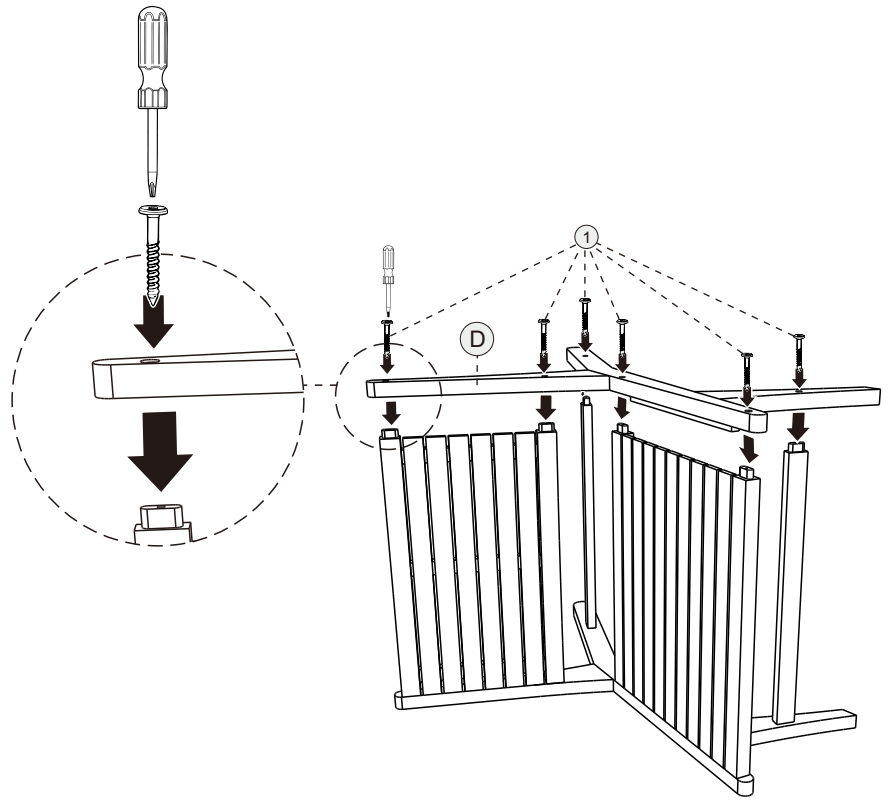


2



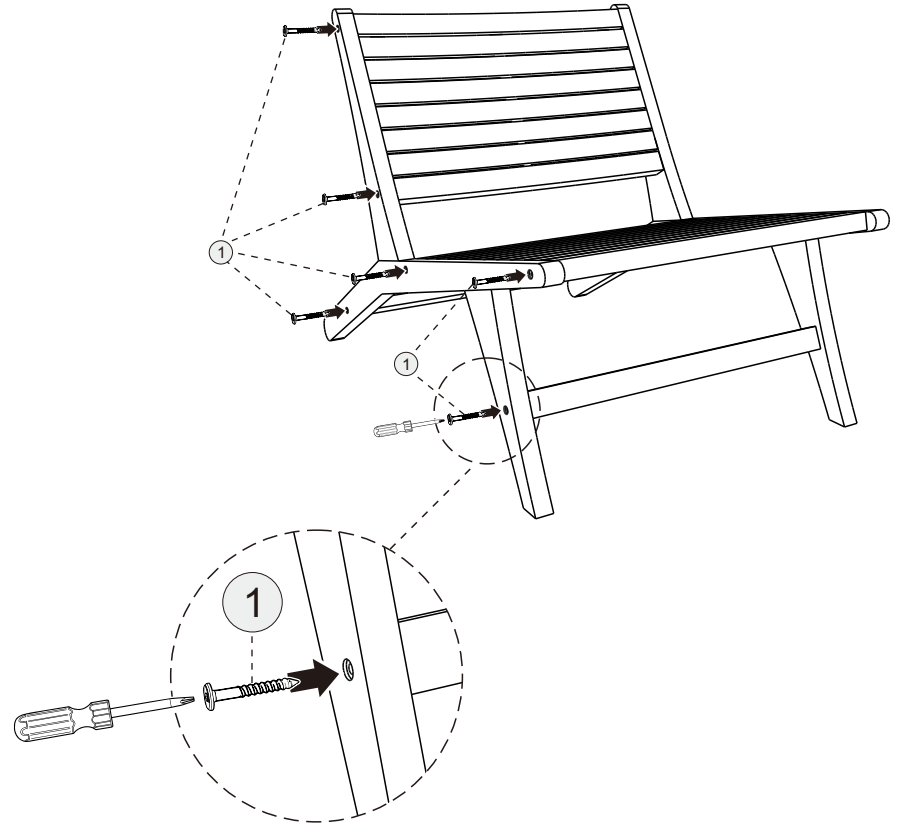
3

1		6x
	50 mm	



4

1		6x
	50 mm	



5

