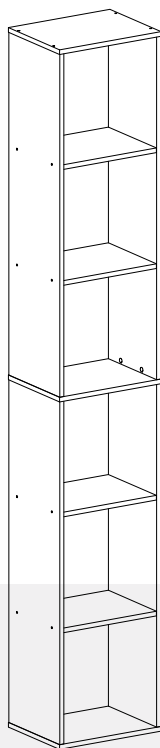


# MANUAL INSTRUCTION

## 6-Tier Bookshelf



## Indoor Furniture

---

We are a professional furniture provider with top-notch factories and outstanding designs, Our mission is to provide consumers with new lifestyles. By collecting consumer feedback, we constantly improve our products and create more choices for consumers. If you want to create your space, We are an ideal choice.

---

Always.

---



## WARNING

All the Bookshelves have passed strict quality inspections before delivery . Read this manual carefully to ensure proper usage

---

Ensure that all parts and hardware are available before beginning assembly

## NOTICE

1. Children are not allowed to operate.
2. Faster installation is possible with power tools.
3. Do not pull the door vigorously to prevent the storage cabinet from tipping over.
4. Please attach the storage cabinet to the wall with an anti-tip device after installation is complete.
5. When using the storage cabinet for the first time, please keep it in a ventilated environment to allow the smell to fully evaporate.
6. When placing the partitions, please make sure the nails are firmly installed to prevent the partitions from falling off.
7. If any parts are missing, broken, damaged or worn, discontinue use of the product until repairs are made and/or factory replacement parts are installed.
8. Do not use this product in a manner inconsistent with the manufacturer's instructions, as this may void the product warranty.
9. If accessories are missing, please contact customer service for communication in time, we provide 7x24 hours customer care.
10. Do not use any attachments or accessories other than the original factory attachments and accessories.
11. Do not alter this equipment. Any alteration will create a safety hazard.

## WARNING

The product must be assembled by adult before use. Serious or fatal injury may occur from unexpected assembly or use.

1. During the assembly process, keep all parts away from babies or children.
2. Always securely fix this product to the wall. Make sure the wall area to be drilled is free from hidden electrical wires, water and gas pipes.
3. Use of tip-over restraints may only reduce, but not eliminate the risk of tip-over.
4. Unless specially designed to accommodate, do not set heavy objects on top of this product.
5. Place the heaviest items on the lowest shelf.
6. Never allow children to climb or bang on drawers, doors or shelves.

# TOOLS REQUIRED



Phillips Screwdriver



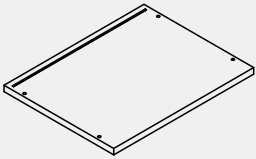
2 Persons Assembly



Up to 30 Minutes For Assembly

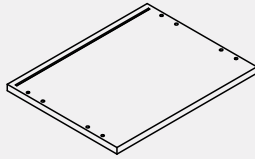
## PARTS

①



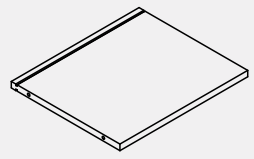
2 PCS

②



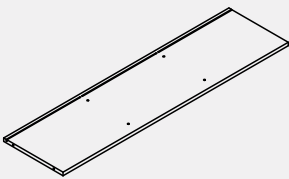
1 PC

③



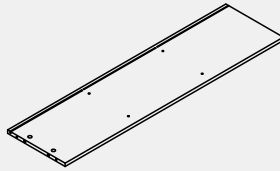
4 PCS

④



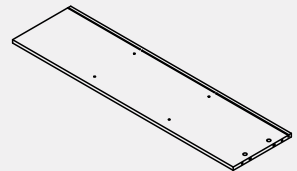
2 PCS

⑤



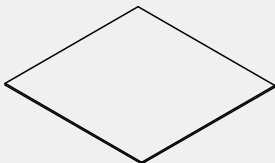
1 PC

⑥



1 PC

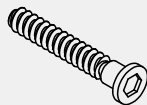
⑦



6 PCS

# HARDWARE

**A** M7 X 47.7mm



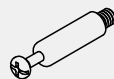
28+2 PCS

**B**  $\Phi 12$  X 10mm



4 PCS

**C**  $\Phi 6$  X 28mm



4 PCS

**D**



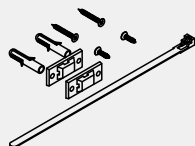
24+1PCS

**E** K3.5 X 14mm



24+2 PCS

**F**



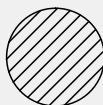
1 PC

**G** M4



1 PC

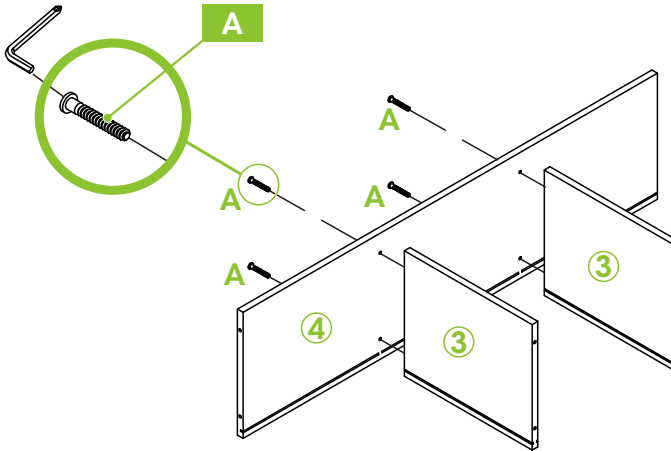
**H** M21mm




32 PCS

# PRODUCT ASSEMBLY

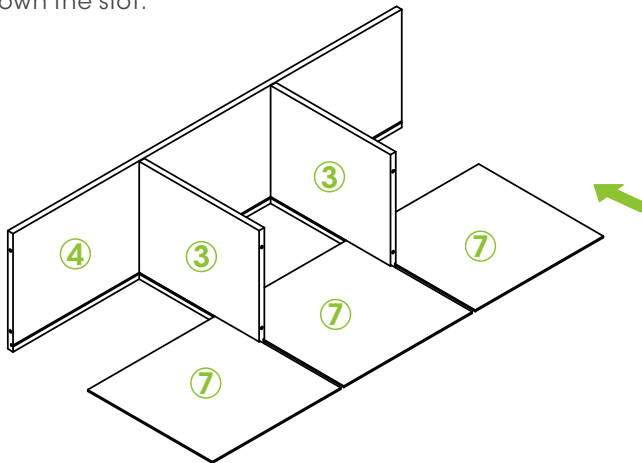
- 1 Connect 2 pieces of part 3 to part 4 with 4 screw A and turn the screws clockwise.



PART	NO.	QTY.
	A	4

Note: The slots for part 3 and part 4 are on the same side.

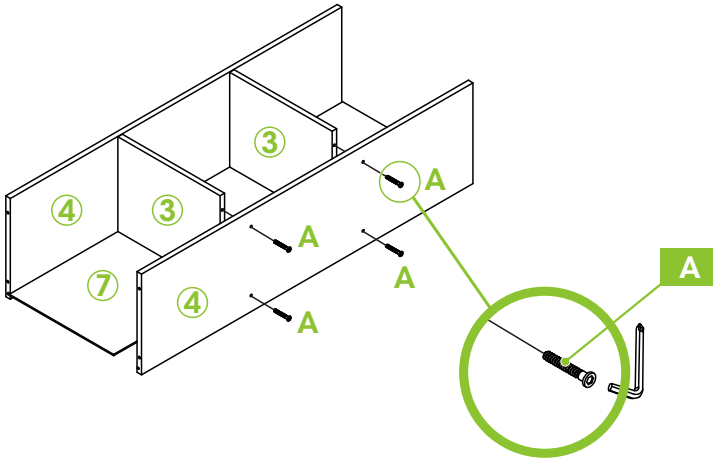
- 2 Push 7 down the slot.



Note: Part 7 must be inserted into the slot of part 4.

## PRODUCT ASSEMBLY

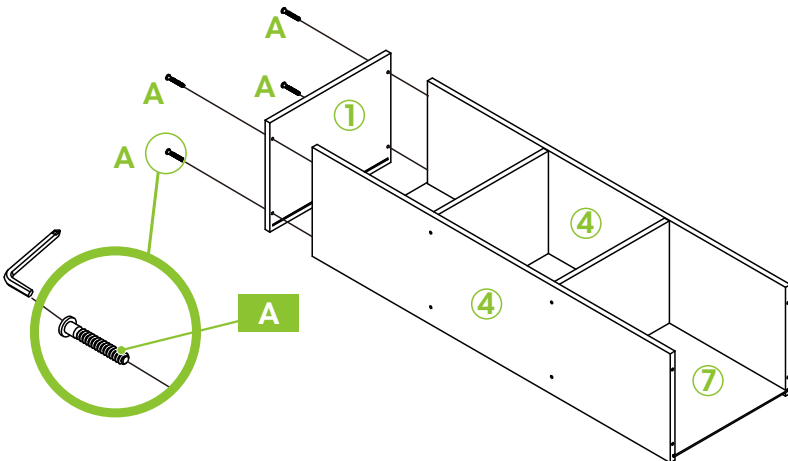
- 3** Connect part 4 to part 3 with 4 screw A and turn the screws clockwise.




PART	NO.	QTY.
	A	4

Note: Part 7 must be inserted into the slot of part 4.

- 4** Connect part 1 to part 4 with 4 screw A and turn the screws clockwise.

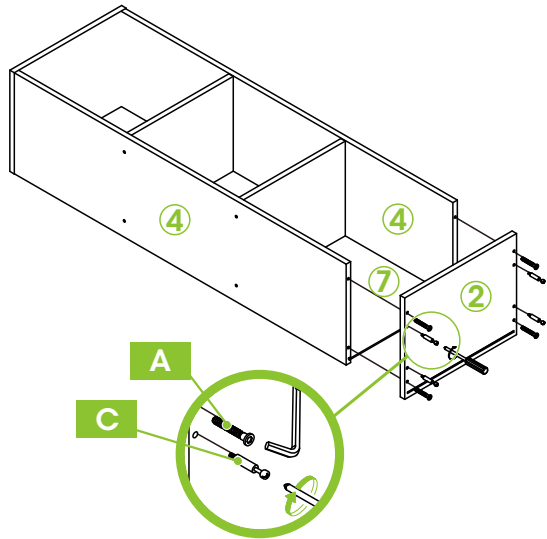




PART	NO.	QTY.
	A	4

Note: Part 7 must be inserted into the slot of part 1.

# PRODUCT ASSEMBLY

- 5** 1. Connect Part 2 to Part 4 with 4 screw A and turn the screws clockwise.  
2. Insert the 4 pieces of part C into part 2 and turn the screws clockwise.



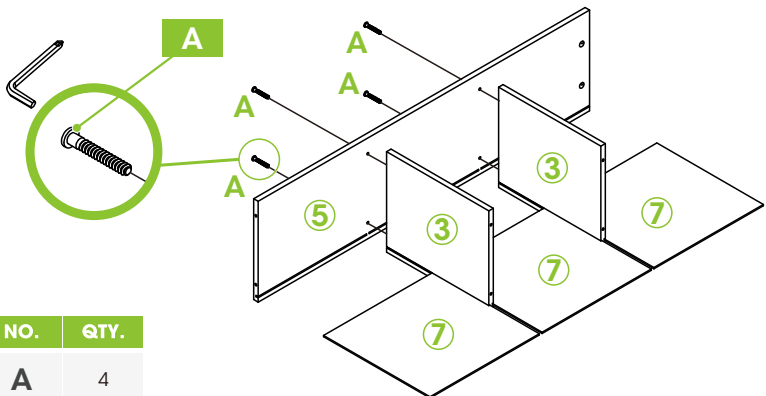
PART	NO.	QTY.
	A	4
	C	4


Note: Part 7 must be inserted into the slot of part 1.

- 6** 1. Connect 2 pieces of Part 3 to part 5 with 4 screw A and turn the screws clockwise.  
2. Push 7 down the slot.

Note: The slots for parts 3 and part 5 are on the same side.

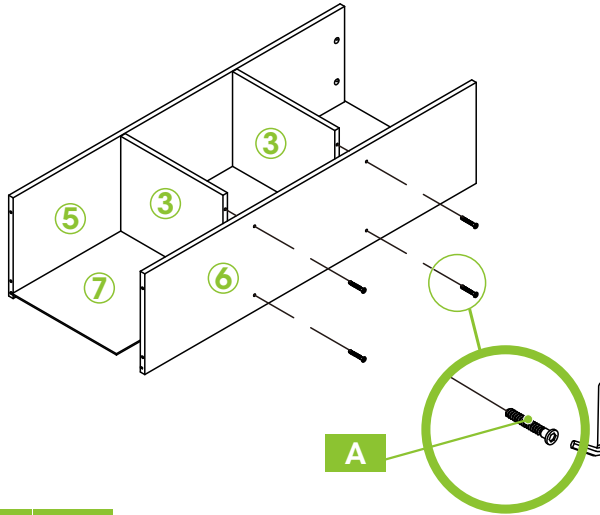
Note: Part 7 must be inserted into the slot of part 4.



PART	NO.	QTY.
	A	4

# PRODUCT ASSEMBLY

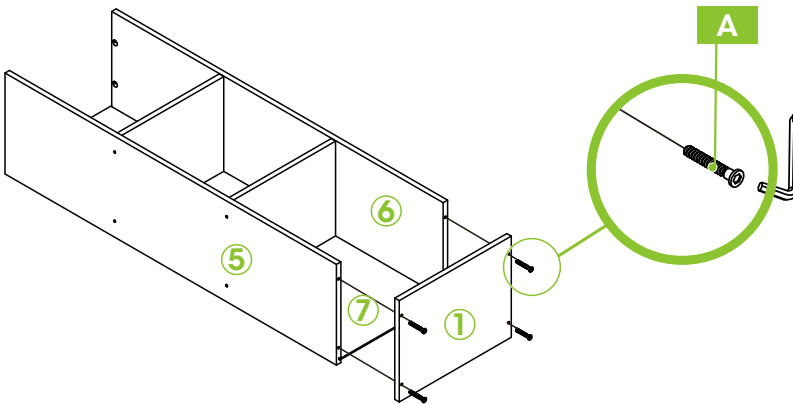
**7** Connect part 6 to part 3 with 4 screw A and turn the screws clockwise.




PART	NO.	QTY.
	A	4

Note: Part 7 must be inserted into the slot of part 6.

**8** Connect part 4 to part 3 and part 6 with 4 screw A and turn the screws clockwise.

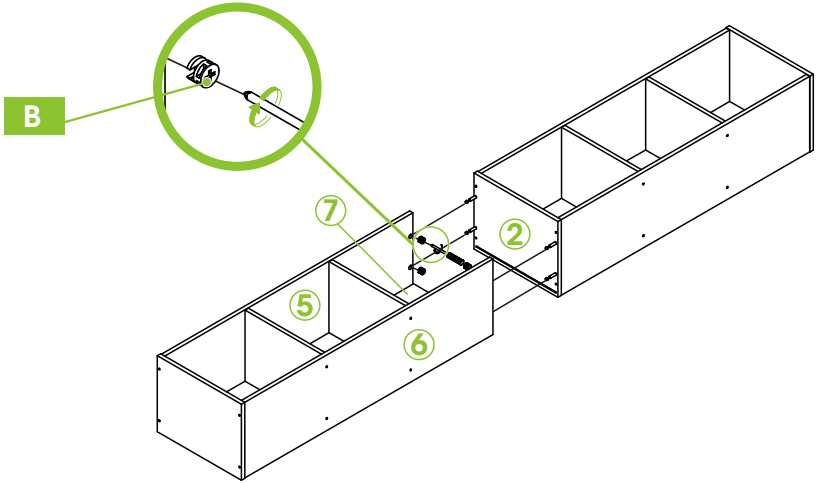



PART	NO.	QTY.
	A	4

Note: Part 7 must be inserted into the slot of part 1.

# PRODUCT ASSEMBLY

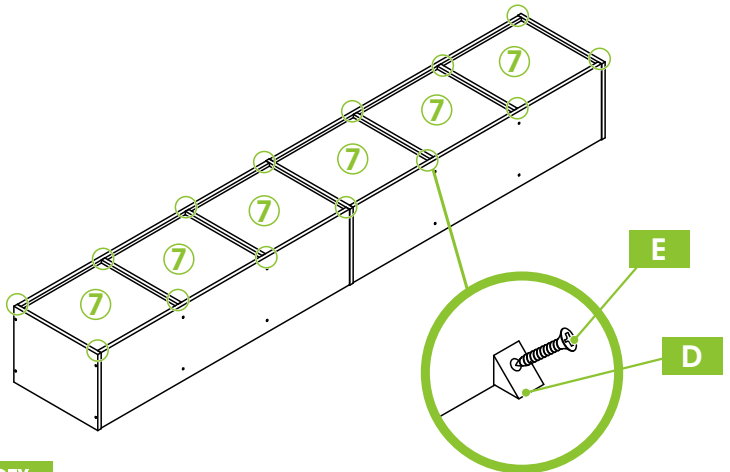
**9** Connect the assembled two parts with 4 screw B and turn the screws clockwise.





PART	NO.	QTY.
	<b>B</b>	4

Note: Part 7 must be inserted into the slot of part 2.

**10** Insert D into the slot in the corner and lock it with screw E. Turn the screw clockwise.



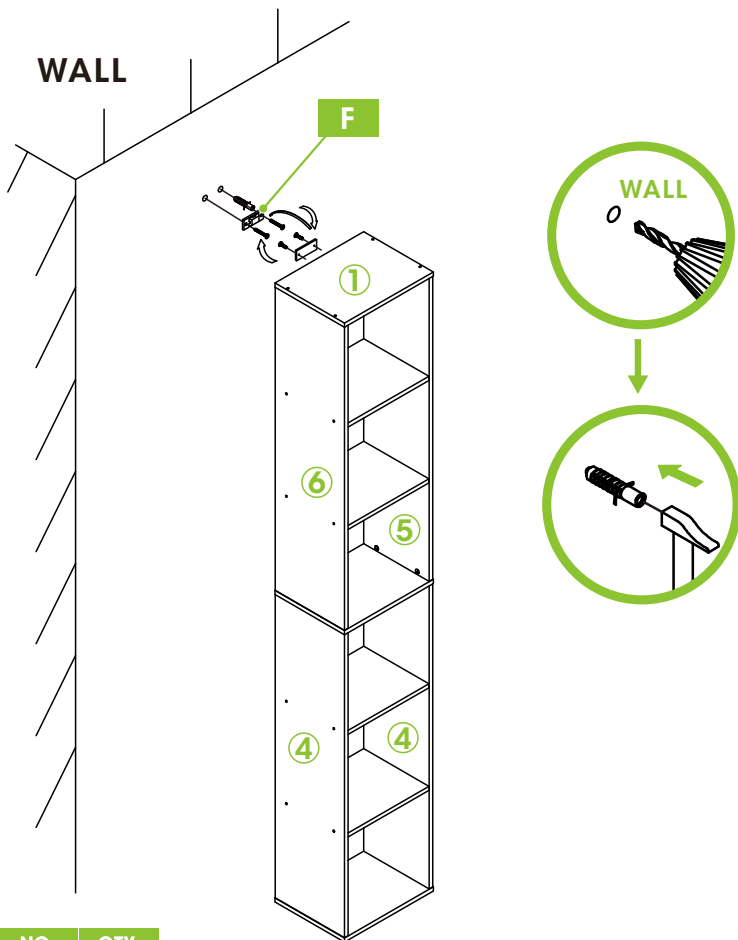
PART	NO.	QTY.
	<b>E</b>	24
	<b>D</b>	24


Note: Part H can be used to stick the exposed hardware position.

# PRODUCT ASSEMBLY

## 11 Installation instructions:

1. The installation place of part F is the middle position on the back of the cabinet top plate.
2. The height of the drilling holes on the wall shall be drilled according to the height of the cabinet top plate, and the expansion colloidal parts (8\*35MM) shall be installed.
3. Install a base (44\*20mm) to the wall with two self-tapping screws of 3.5\*40mm, and then install the other base (44\*20mm) on the back of top plate with two self-tapping screws of 3.5\*40mm.
4. Connect the two bases with Nylon Cable tie and adjust the gap.



PART	NO.	QTY.
	F	1

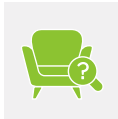
Note: Nylon Cable tie must be installed.

# HELP CENTER

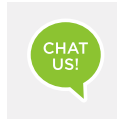
Question about your product? We're here to help. Visit us at:



Chat Support



Product Inquiry



Orders FAQ



Product Assembly



Returns & Refunds

## We Stand Behind the Quality of Their Furniture

If you have any issues with your item please let us know! We will always do our best to come up with a solution that you will be happy with.

Please get in touch with our customer service team before returning the product.

And pls do not throw the original box(es) if you have not finished assembling or confirmed no quality issues.

Length of return period:

Items can be returned within 30 days of purchase.

In the meanwhile, everything you purchased from us comes with a one-year warranty.

Who is responsible for the return shipping fee:

We will cover the return shipping fees if:

1. Your item has a manufacturing defect in its materials or workmanship. For example, torn wicker or misaligned screw holes. We will send you a prepaid shipping label after photos are sent.
2. Your item has been damaged in transit. For example, glass is broken or wicker is damaged. We will send you a prepaid shipping label after photos are sent.
3. You receive the wrong box(es) due to a warehouse error. We will send you a prepaid shipping label after photos are sent of the wrong SKU numbers on the outer box(es).
4. One or more boxes are lost in transit. We will send you a prepaid shipping label if you no longer want the item.

\*However, we still hope to work with you for a better solution instead of a return. Please don't hesitate to contact our customer service team.

Customer will cover the return shipping fees if:

1. You don't like the product(s) after receiving the box(es).
2. You no longer need the product(s) but you have received the box(es).
3. You buy the product(s) by mistake but you have received the box(es).
4. Order/Shipment cancellation failed and you have received the box(es).

---

## Return Request

In order to get a full refund as described in this return policy, all items must be: (1) In a brand new/unused condition, please provide photos before and after packaging. (2) When returning, all accessories and parts are firmly packed in all original packaging. If your return does not meet the requirements, you may not get a full refund.

When will I be refunded?

The refund is released once the goods have been returned to our warehouse.

What if the product is damaged/defective outside of the valid return period?

We want you to be a happy customer. Please reach out to us by email and we will come up with a solution to make sure you are satisfied.