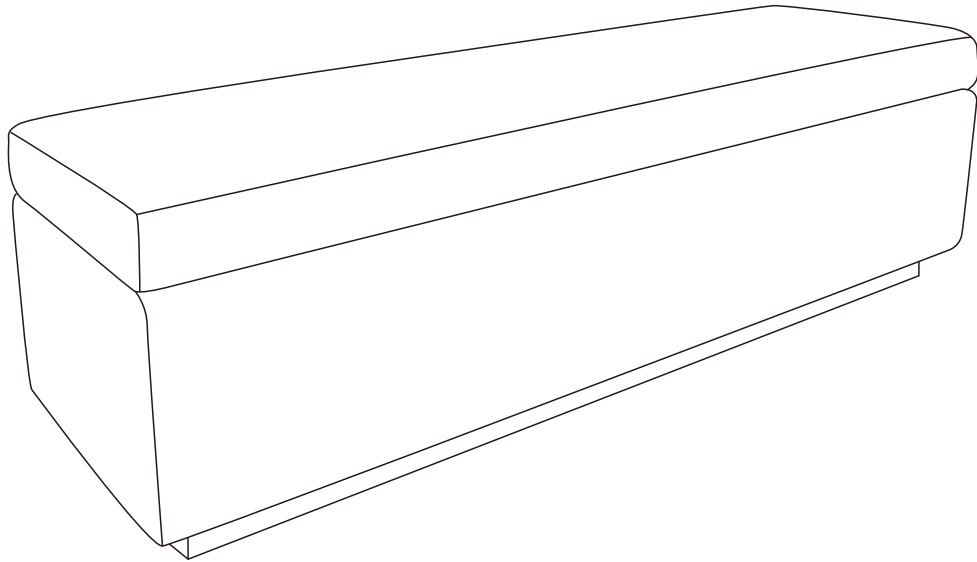







ASSEMBLY INSTRUCTION

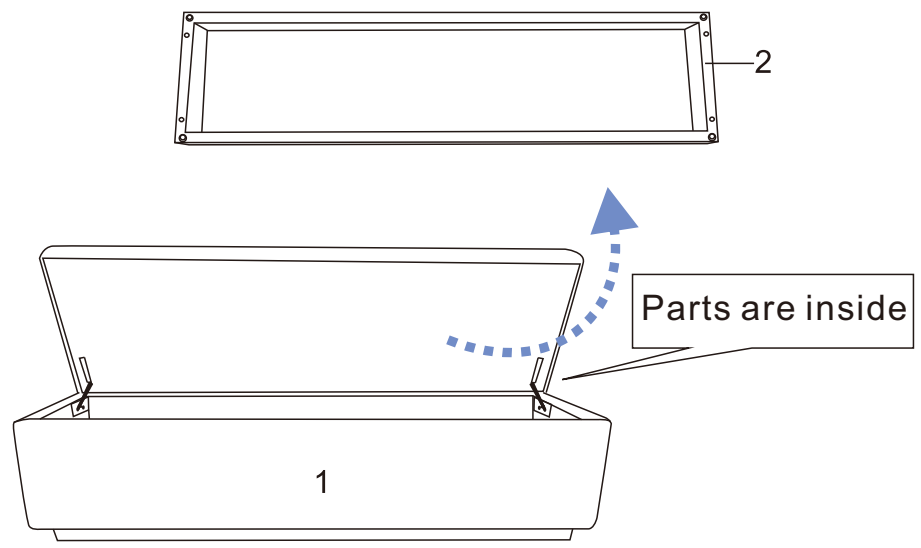


Parts and fittings

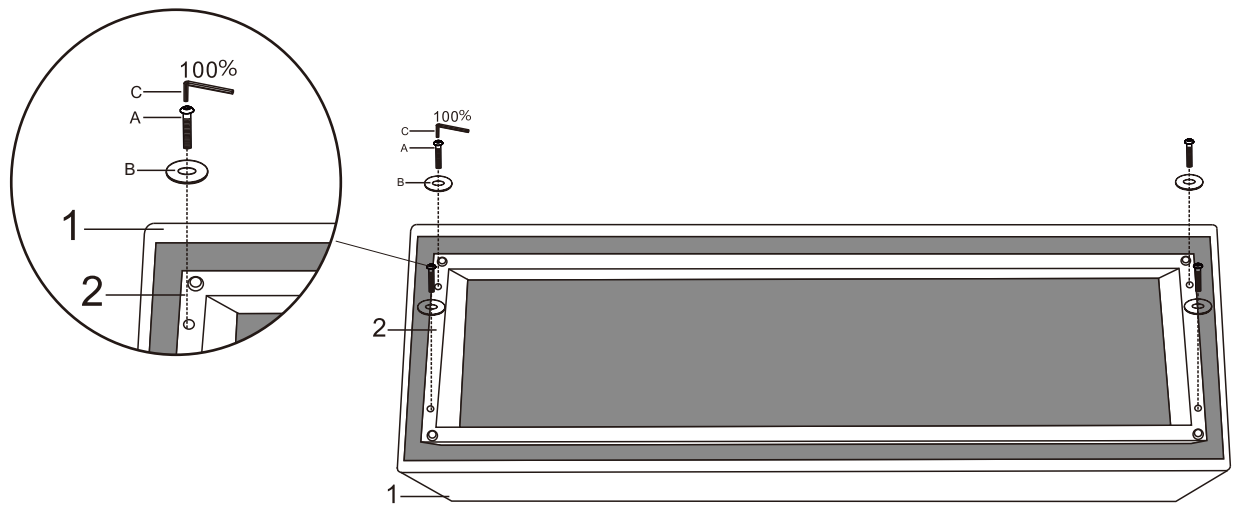
Ref	Visual	Qty
1		1
2		1

Ref	Visual	Qty
Ⓐ	M6 	4
Ⓑ	M6 	4
Ⓒ	M6 	1

STEP 1



STEP 2



STEP 3

