

PARTS LIST

Your Shoe Bench w/ Baskets should include the following parts. Please inspect box contents to ensure you have received all components.

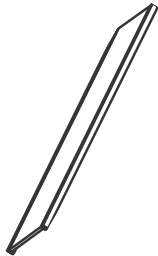
You will NOT need additional tools for assembly.

A



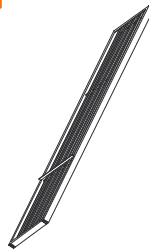
SIDE FRAME (2)

B



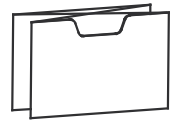
BENCH TOP (1)

C



SHELF (2)

D



BASKET (2)

E



**BASKET
BOTTOM
PANEL (2)**

F



**FEET
LEVELER (4)**

G



SCREW (12)

H

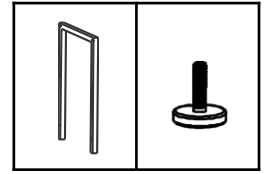


HEX KEY (1)

ASSEMBLY INSTRUCTIONS

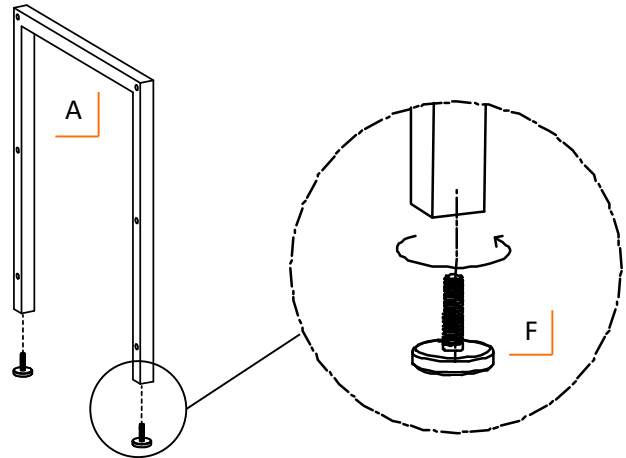
STEP 1

Insert FEET LEVELERS (F) into bottoms of SIDE FRAMES (A). Turn clockwise to screw in place.



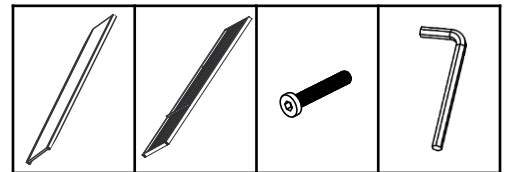
A (2)

F (4)



STEP 2

Insert (4) SCREWS (G) through screw holes of SIDE FRAMES (A) into BENCH TOP (B). Fully tighten SCREWS (G) with provided HEX KEY (H).



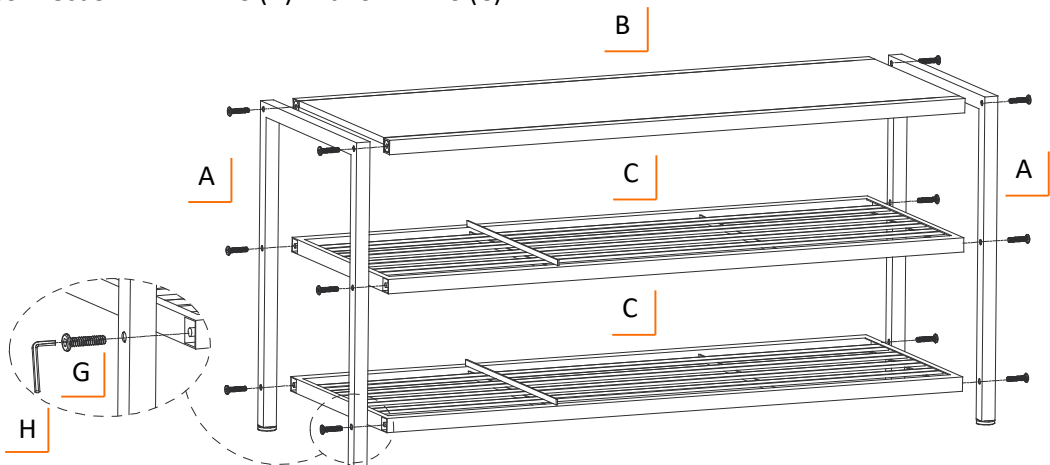
B (1)

C (2)

G (12)

H (1)

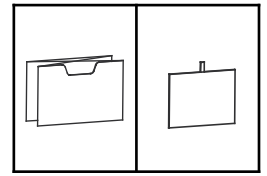
Repeat to connect SIDE FRAMES (A) with SHELVES (C).



ASSEMBLY INSTRUCTIONS

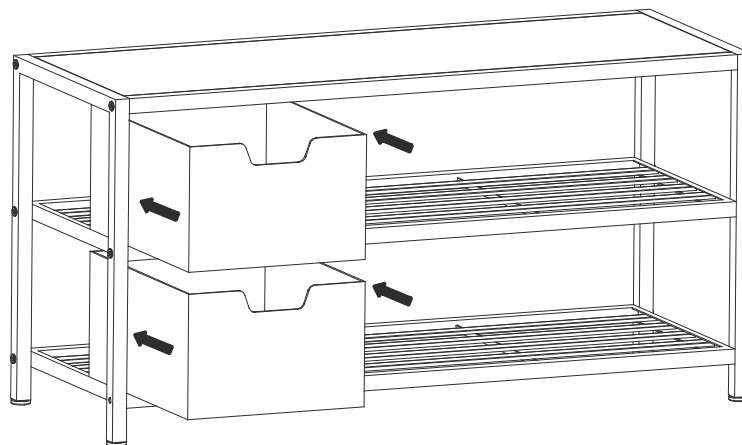
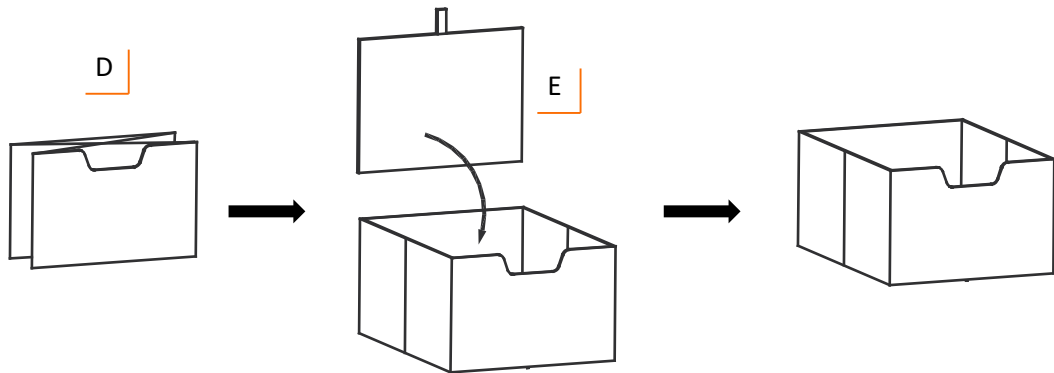
STEP 3

As shown, unfold BASKETS (D), place BASKET BOTTOM PANELS (E) into BASKETS (D) bottom, put Basket Assembly onto SHELVES (C).



D (2)

E (2)

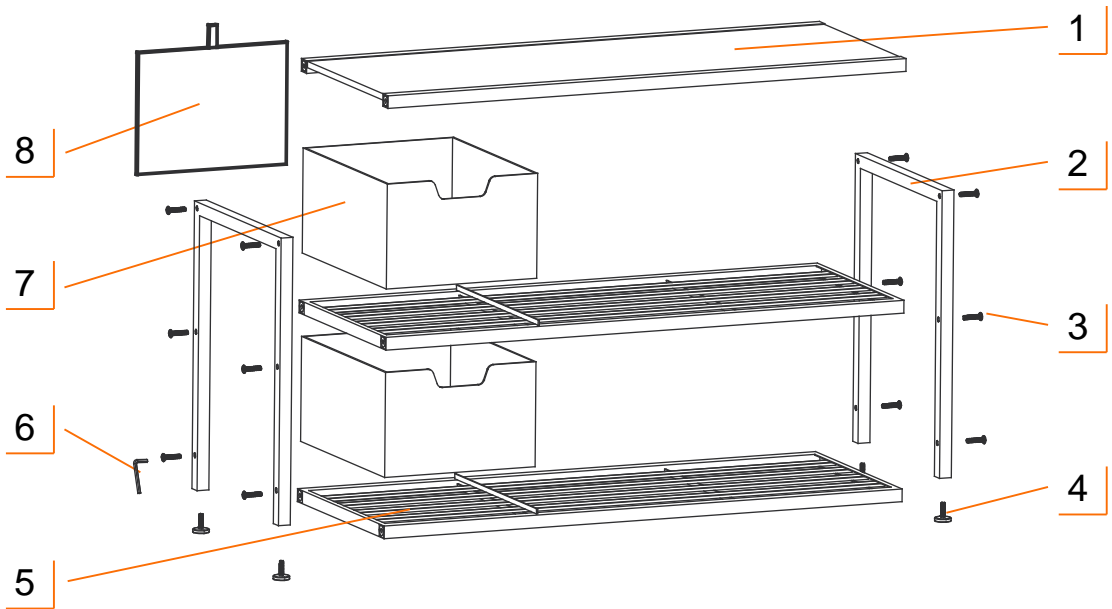


SERVICE PARTS LIST –

Bronze Anthracite Color

Customer Service provides the following replacement parts:

	Description		Description
1)	Bench Top	5)	Shelf
2)	Side Frame	6)	Hex Key
3)	Screw	7)	Basket
4)	Feet leveler	8)	Basket Bottom Panel



SERVICE PARTS LIST – TBFPGR-2410 Gray Color

Customer Service provides the following replacement parts:

	Description		Description
1)	Bench Top	5)	Shelf
2)	Side Frame	6)	Hex Key
3)	Screw	7)	Basket
4)	Feet leveler	8)	Basket Bottom Panel

