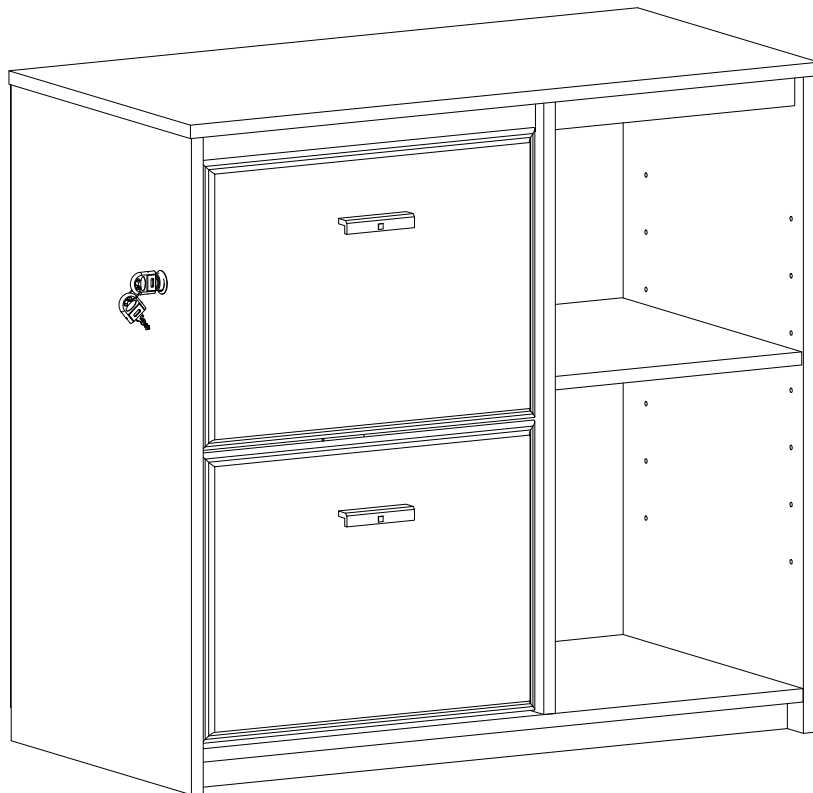


ASSEMBLY INSTRUCTIONS

Important Safety Instructions:

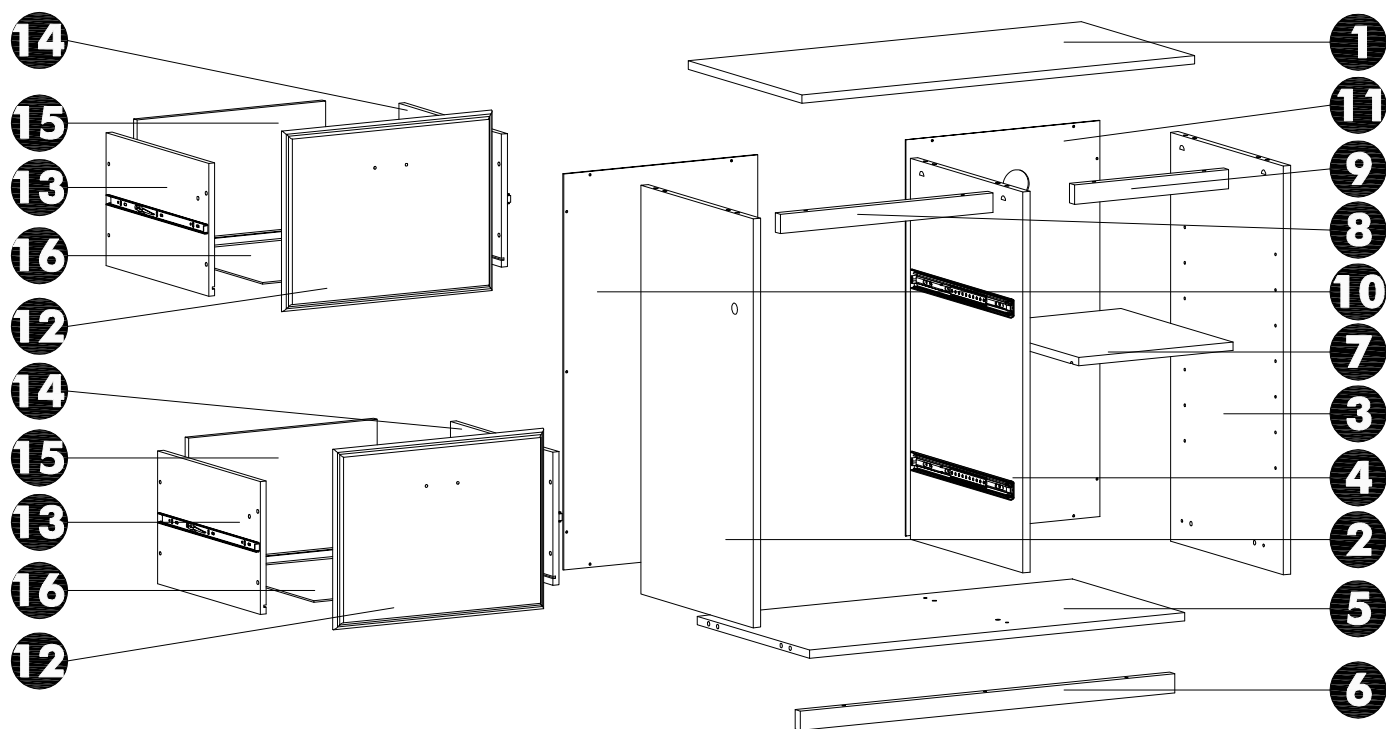
- Please read all instructions before beginning assembly
- Please make sure receive all the parcels to start the assembly
- For your safety and convenience, assembly by two people is recommended
- Use the parts and hardware lists to identify and separate each of the components included
- Save all packing materials until assembly is completed to avoid the accidental discarding of smaller parts or hardware



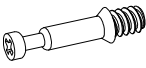


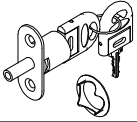
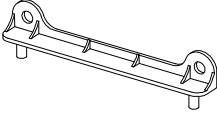
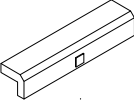
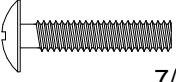
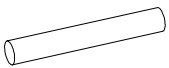
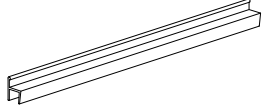
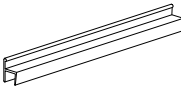

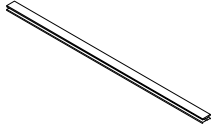
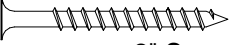
THANK YOU FOR PURCHASING

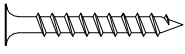
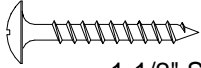
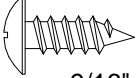
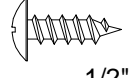
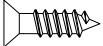

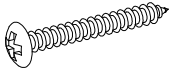

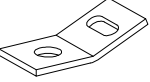


PARTS LIST

① X1	② X1	③ X1	④ X1	⑤ X1
⑥ X1	⑦ X1	⑧ X1	⑨ X1	⑩ X1
⑪ X1	⑫ X2	⑬ X2	⑭ X2	⑮ X2
⑯ X2				



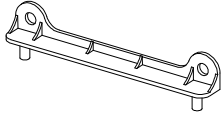
HARDWARE LIST

Name	Part	Qty.	Spare
A		10	1
B		10	1
C		12	1
D		1	
E		4	
F		2	
G	 7/8" Bolt	4	1
H		4	
I		2	
J		4	
K		2	
L		1	
M	 2" Screw	2	

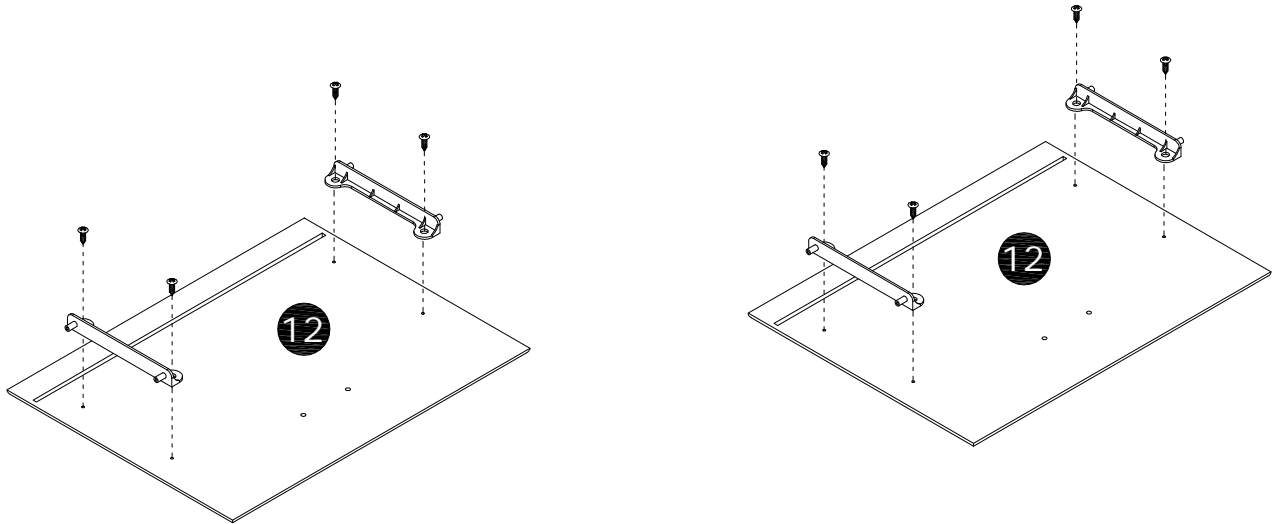
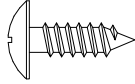
Name	Part	Qty.	Spare
N	 1-1/2" Screw	8	
O	 1-1/2" Screw	7	
P	 9/16" Screw	8	
Q	 1/2" Screw	8	
R	 1/2" Screw	2	
S	 3/4" Nail	19	2
U1		1	
U2		1	
U3		2	
U4		1	
U5		1	

STEP 1

E x 4pcs

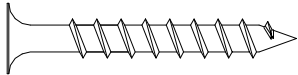


P x 8pcs

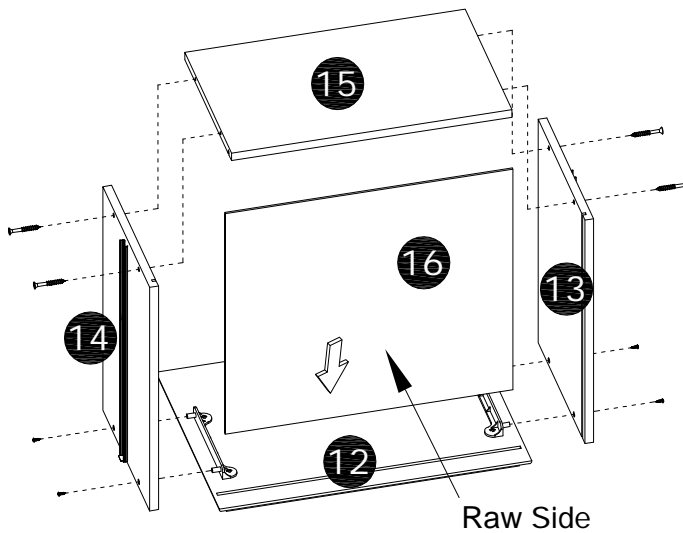
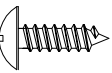


STEP 2

N x 8pcs



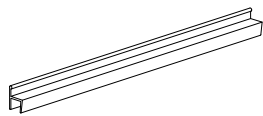
Q x 8pcs



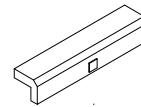
x 2

STEP 3

I x 2pcs



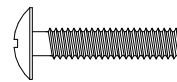
F x 2pcs



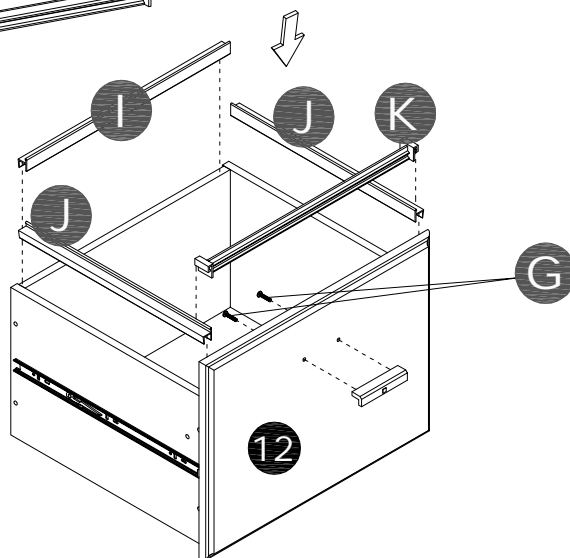
J x 4pcs



G x 4pcs



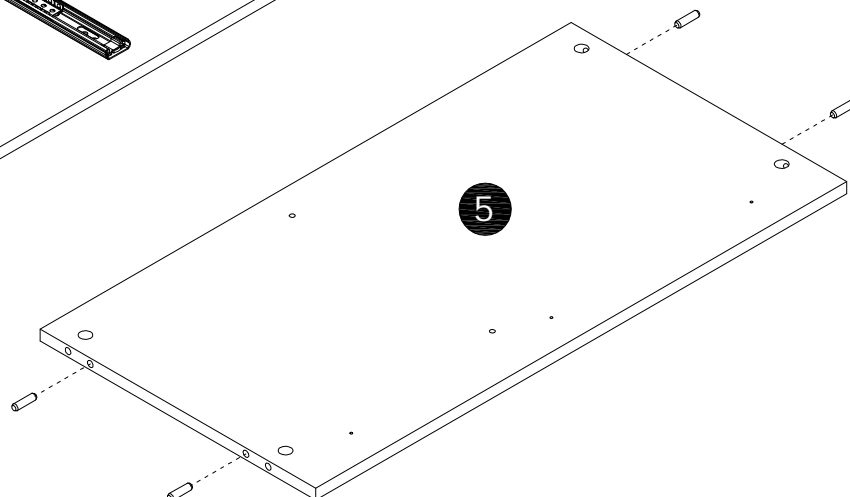
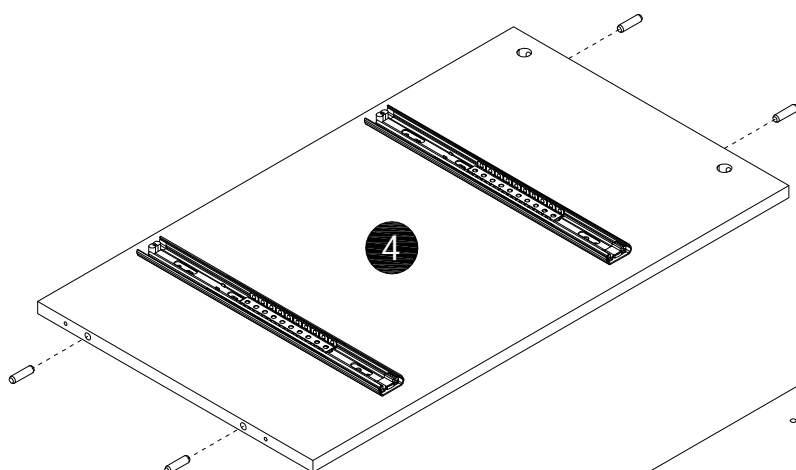
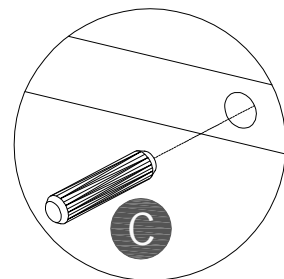
K x 2pcs



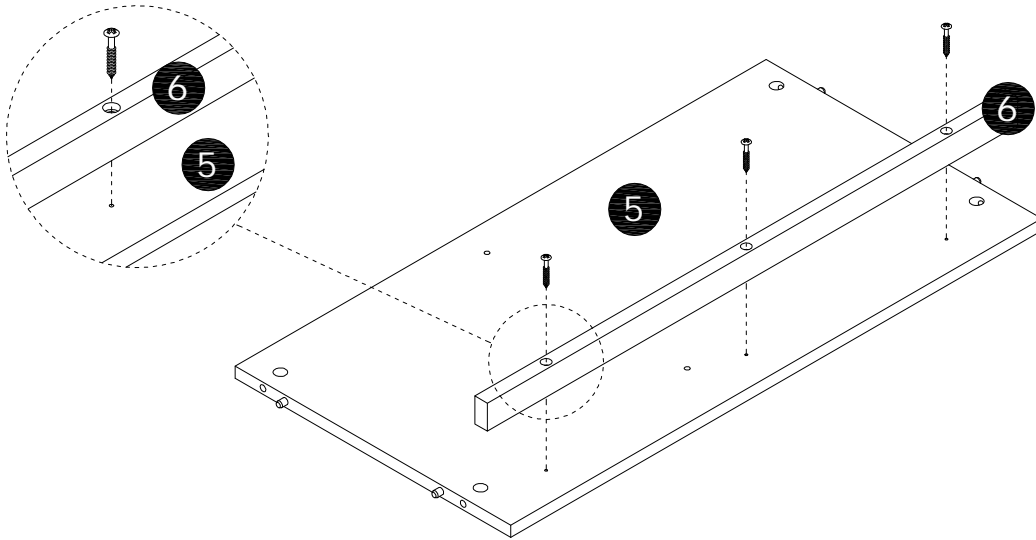
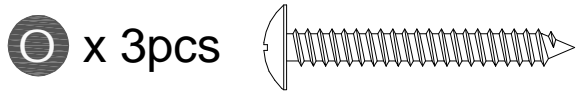
x 2

STEP 4

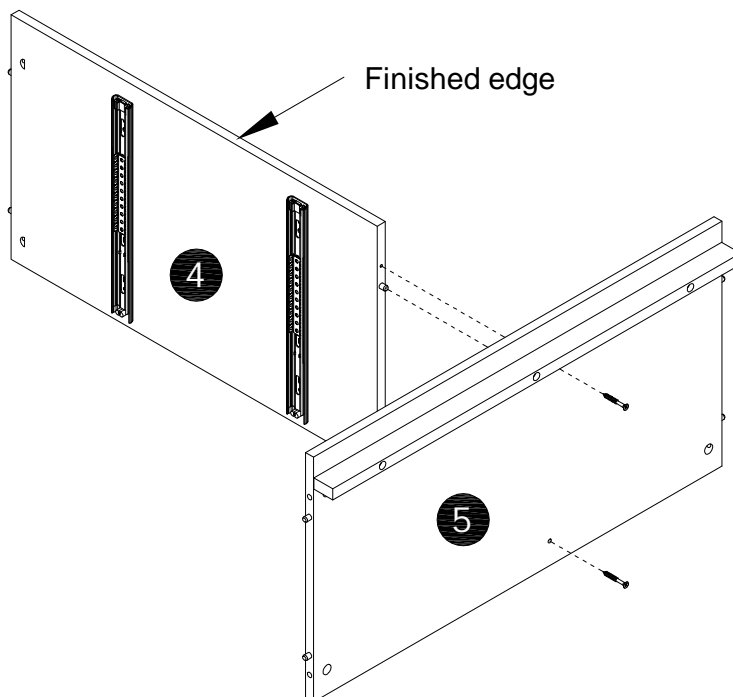
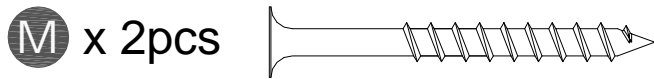
C x 8pcs



STEP 5

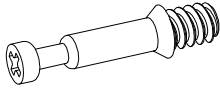


STEP 6

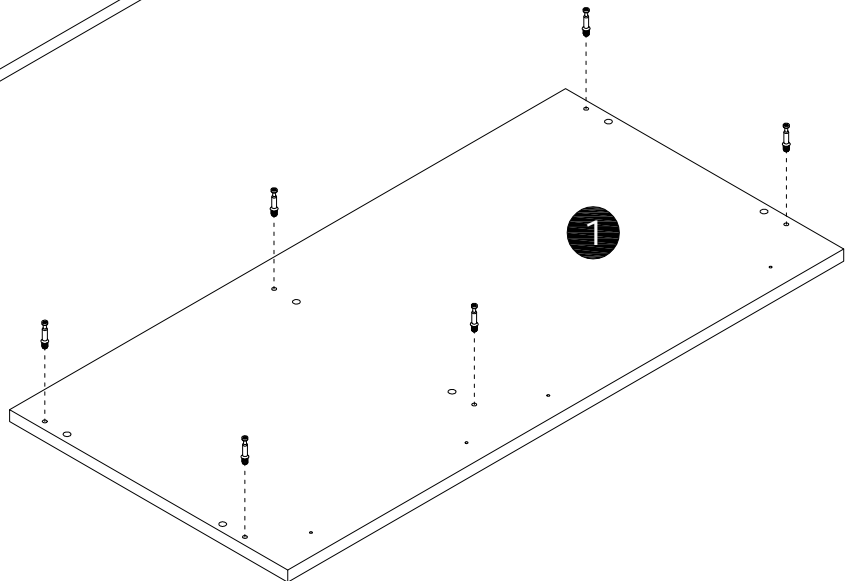
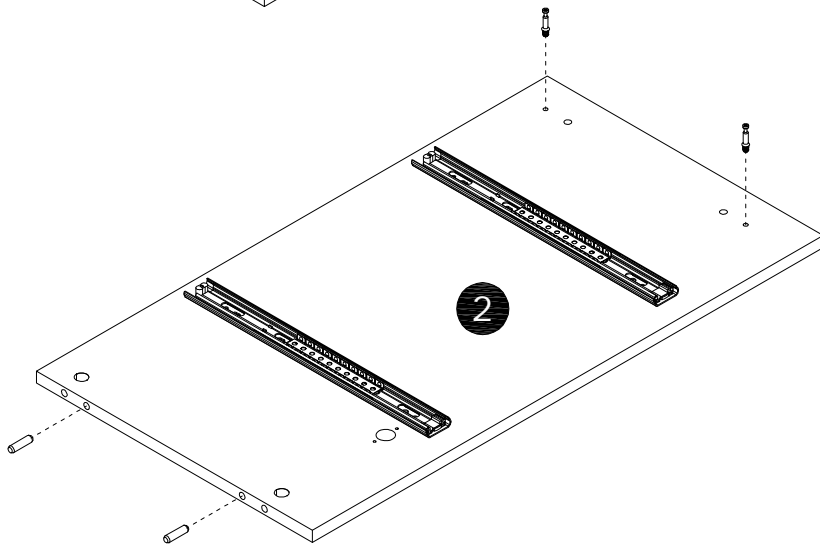
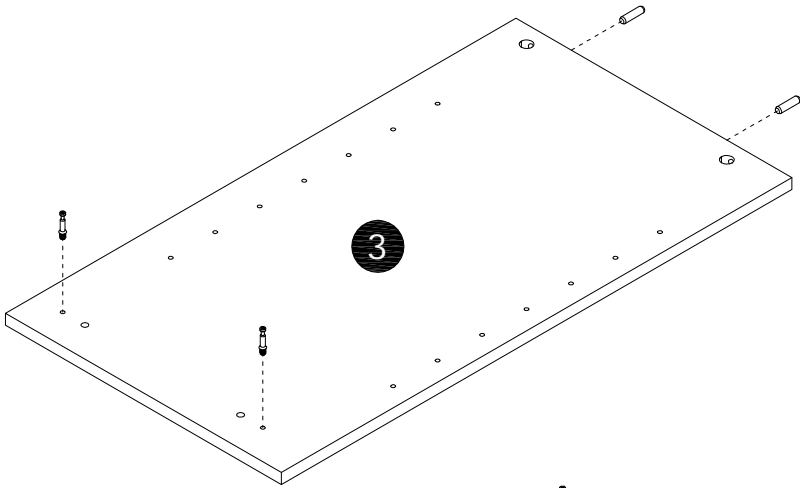
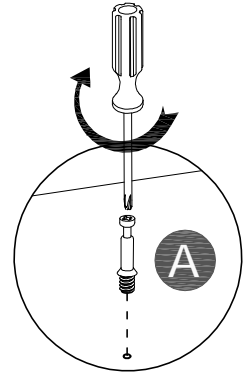
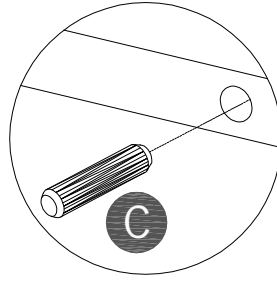


STEP 7

A x 10pcs

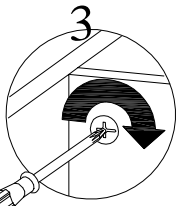
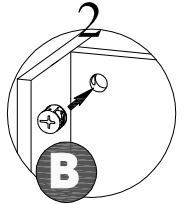
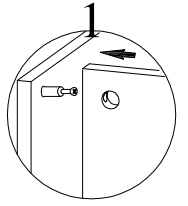
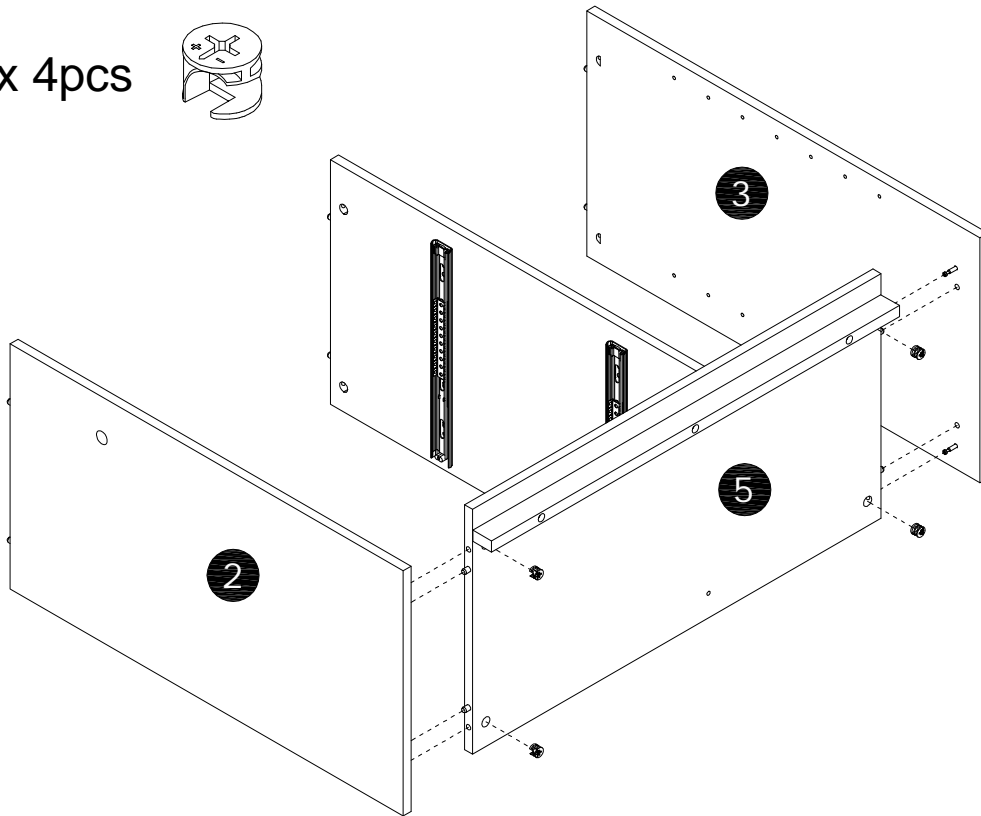


C x 4pcs



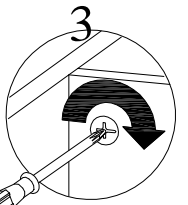
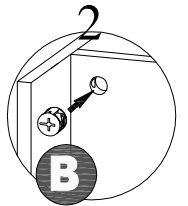
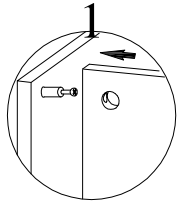
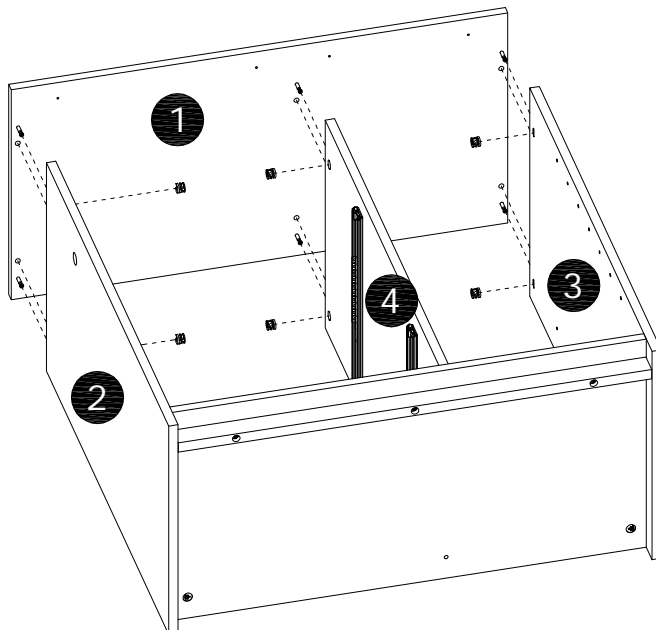
STEP 8

B x 4pcs



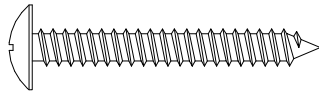
STEP 9

B x 6pcs

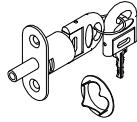


STEP 10

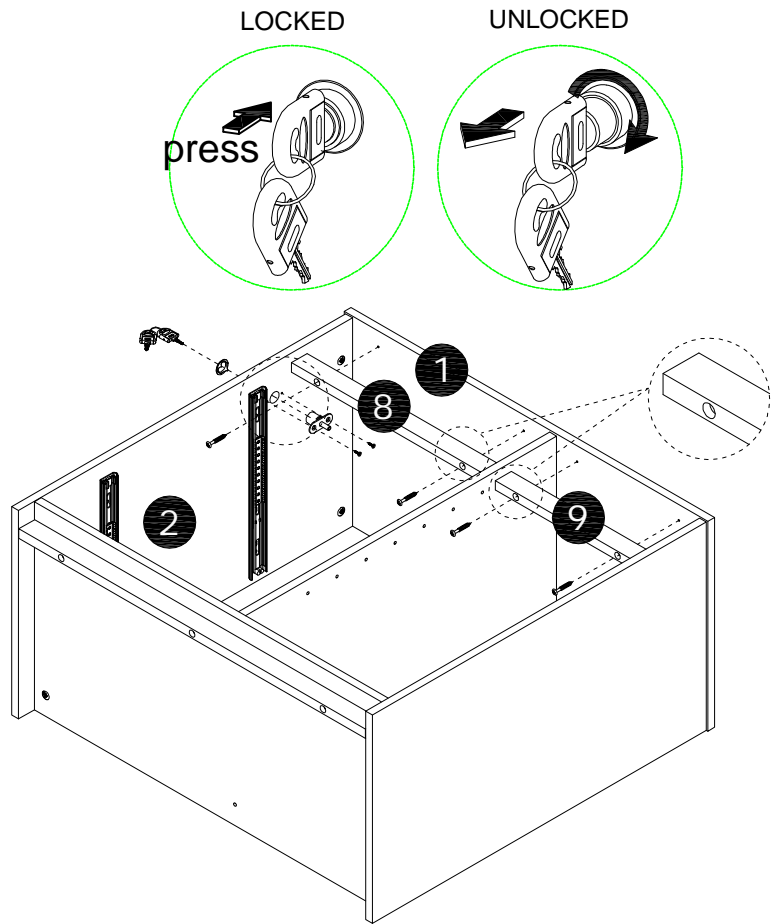
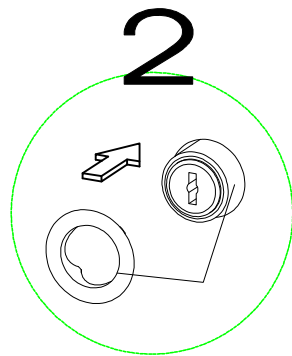
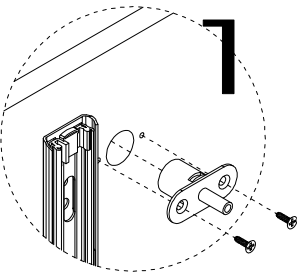
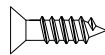
○ x 4pcs



ⓓ x 1pc



Ⓡ x 2pcs

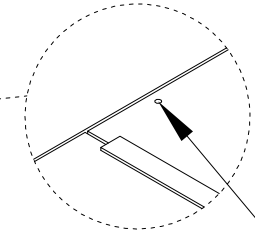
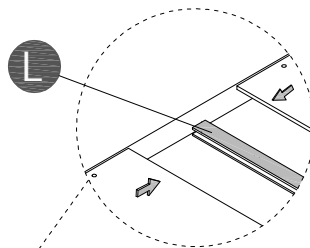
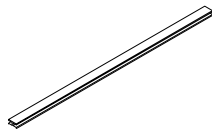


STEP 11

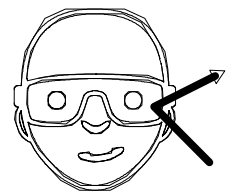
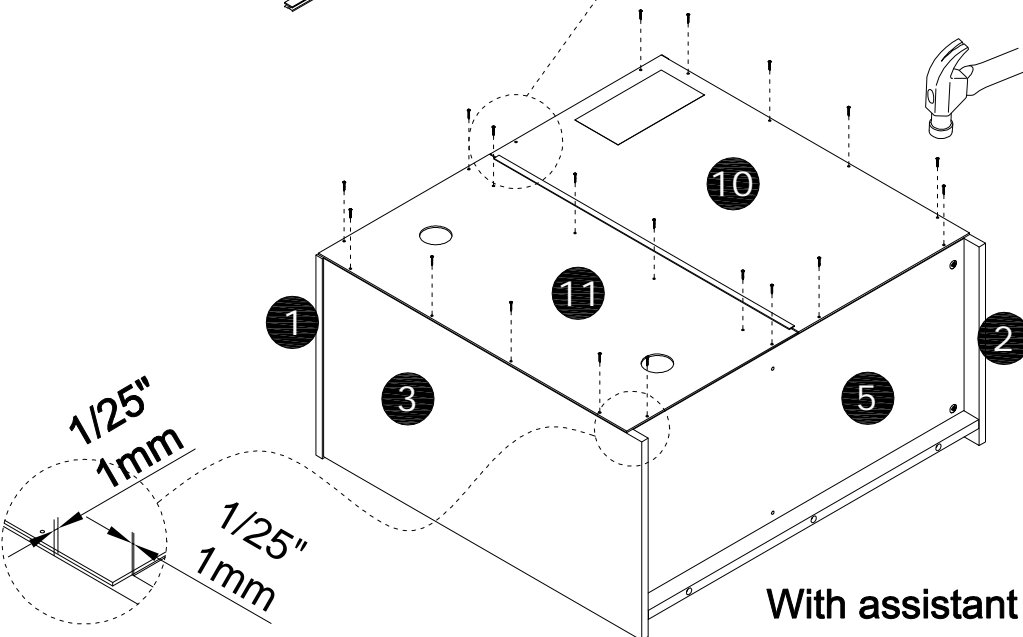
Ⓢ x 19pcs



Ⓛ x 1pc



No Screw



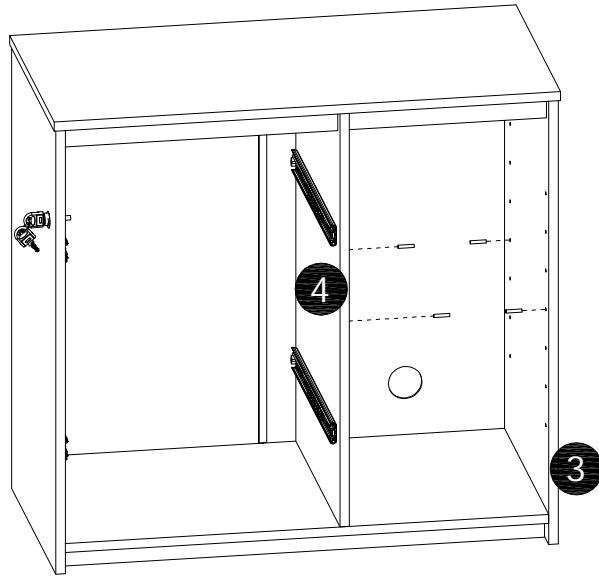
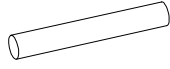
Safety glasses

With assistant carefully flip unit over.

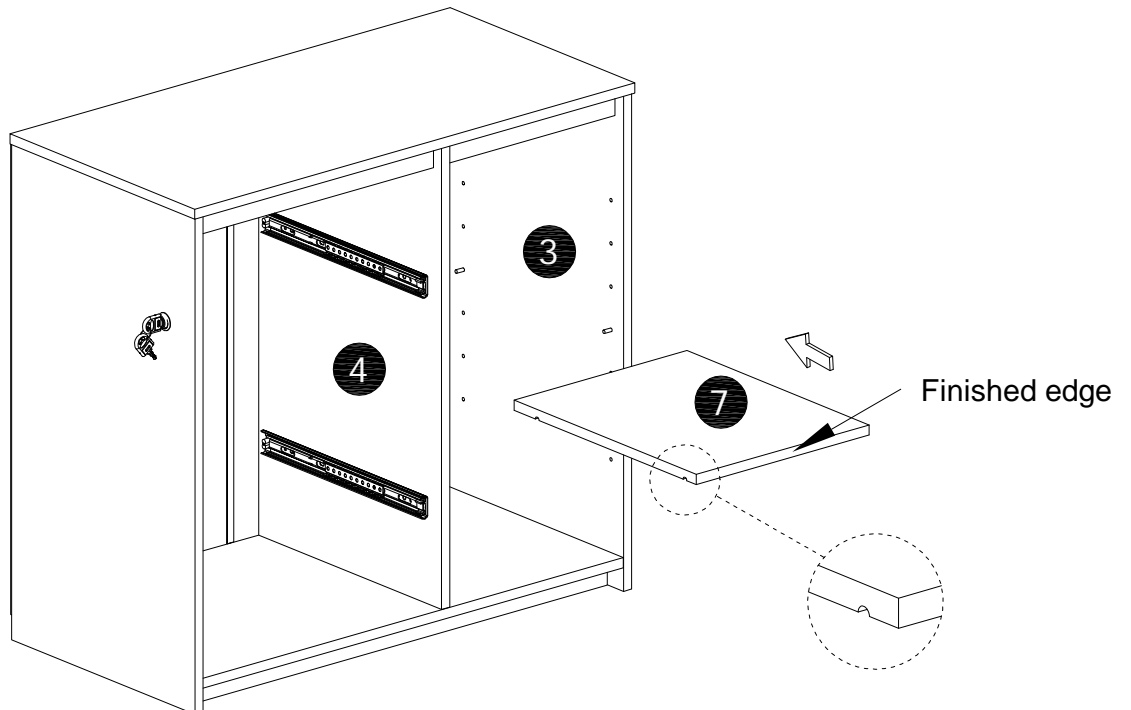
STEP 12

With assistant carefully stand unit up.

H x 4pcs



STEP 13

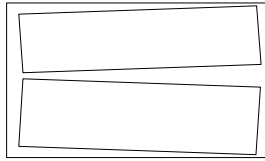
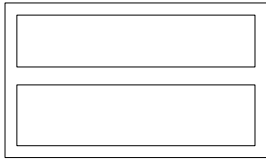


STEP 14

- Move unit to final location.
- Adjust drawer fronts as shown below.

- Step1--Loosen screws on back of drawer front brackets as shown.
- Step2--Position drawer front as required.
- Step3--Tighten screws while holding drawer front in position.

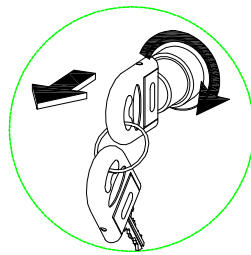
DRAWER FRONT VIEW



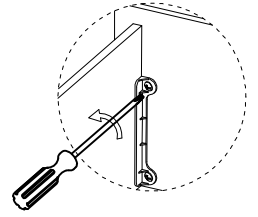
LOCKED



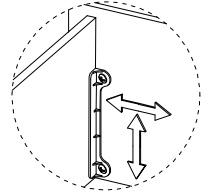
UNLOCKED



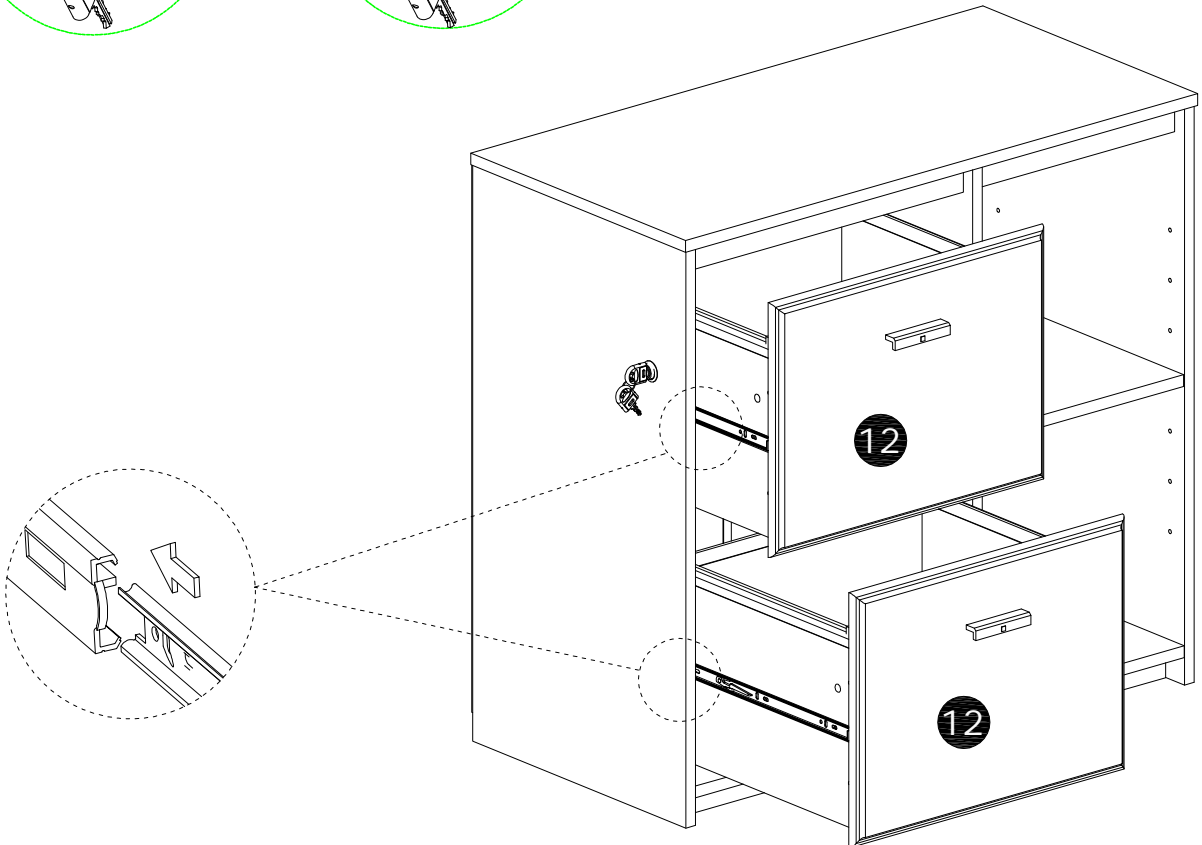
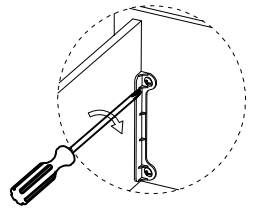
STEP 1.



STEP 2.

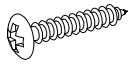


STEP 3.

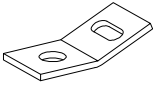


STEP 15

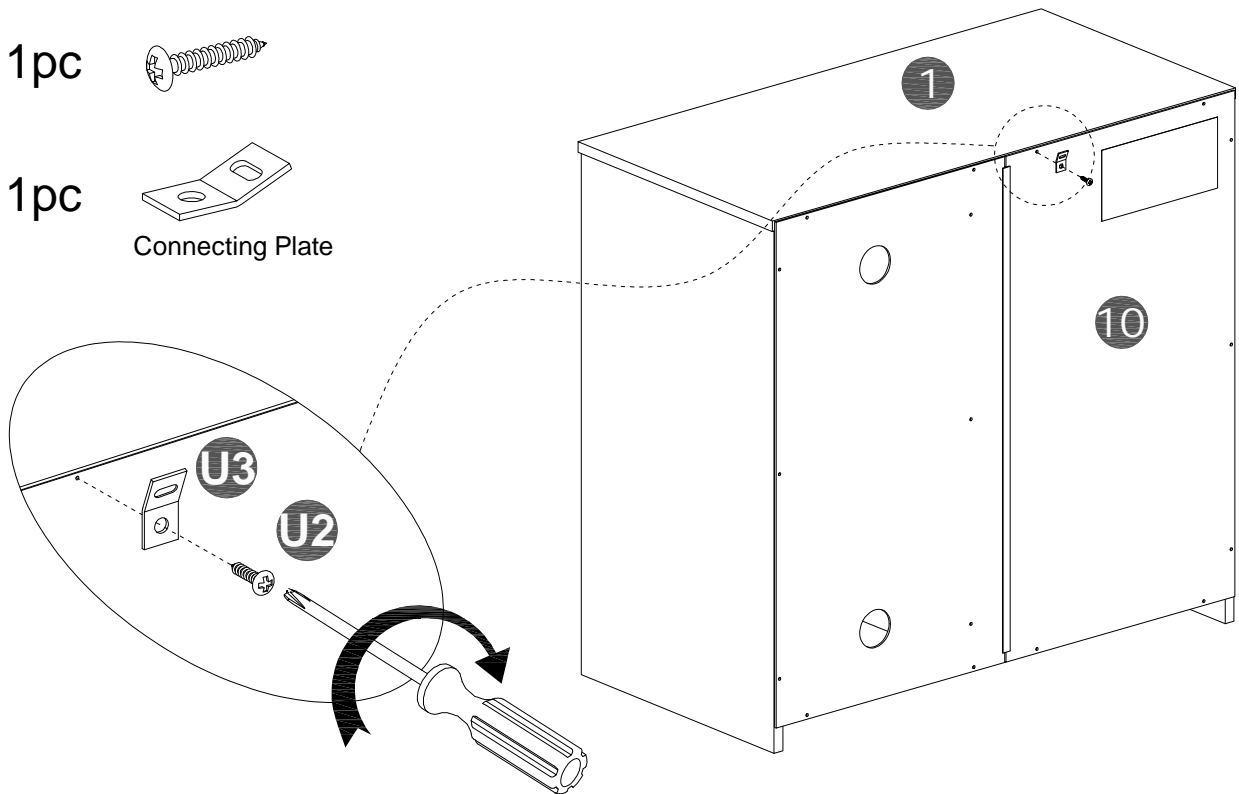
U2 x 1pc



U3 x 1pc

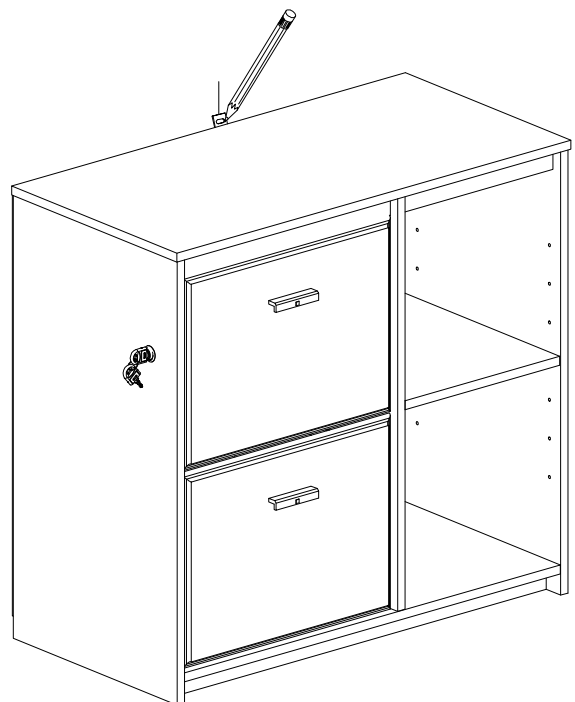
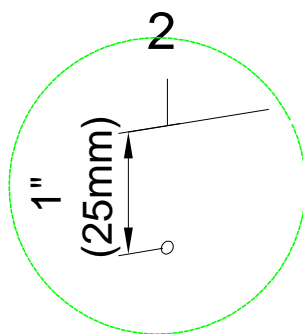
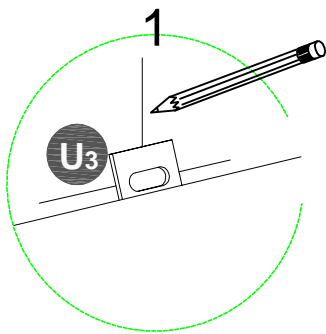


Connecting Plate



STEP 16

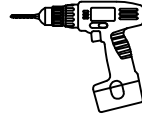
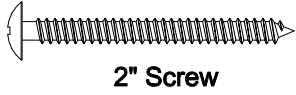
1. Place unit in desired location.
2. Locate wall stud nearest unit center.
3. On wall, mark center of stud location 1" below top of unit.
4. If a wall stud cannot be located mark hollow wall at unit center.



STEP 17

WALL STUD ATTACHMENT

U₁ x1pcs



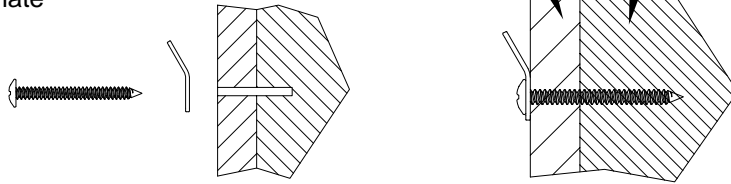
Drill 1/8" hole 2" deep at mark on wall.

U₃ x1pcs



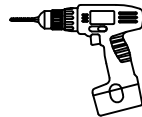
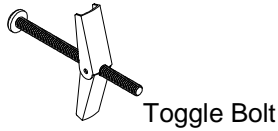
Drywall
Paneles de yeso
cloisons sèches

Wood stud
Montante de madera
Stud bois



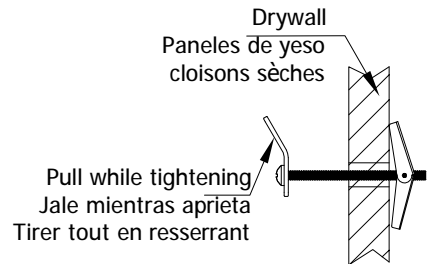
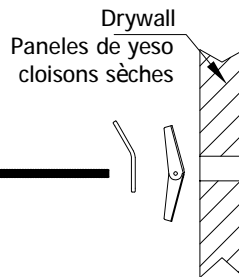
HOLLOW WALL ATTACHMENT

U₄ x1pcs



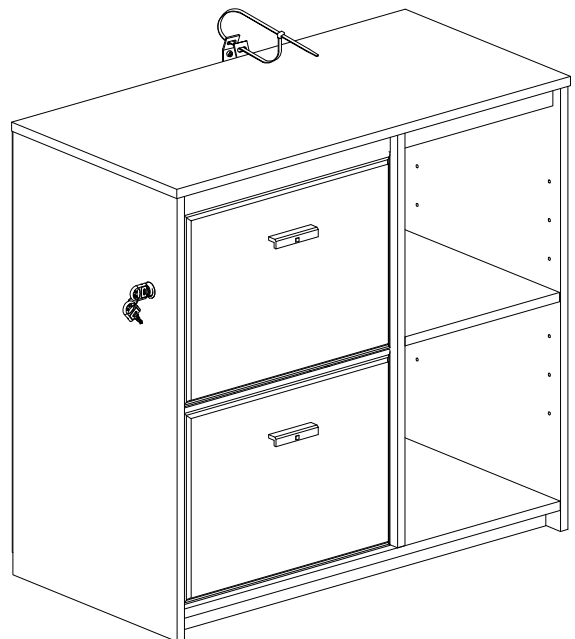
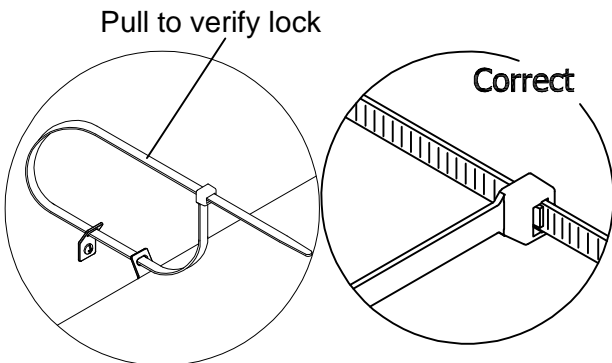
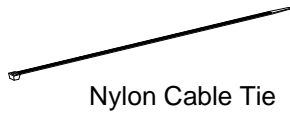
Drill 1/2" hole 1" deep at mark on wall.

U₃ x1pcs



STEP 18

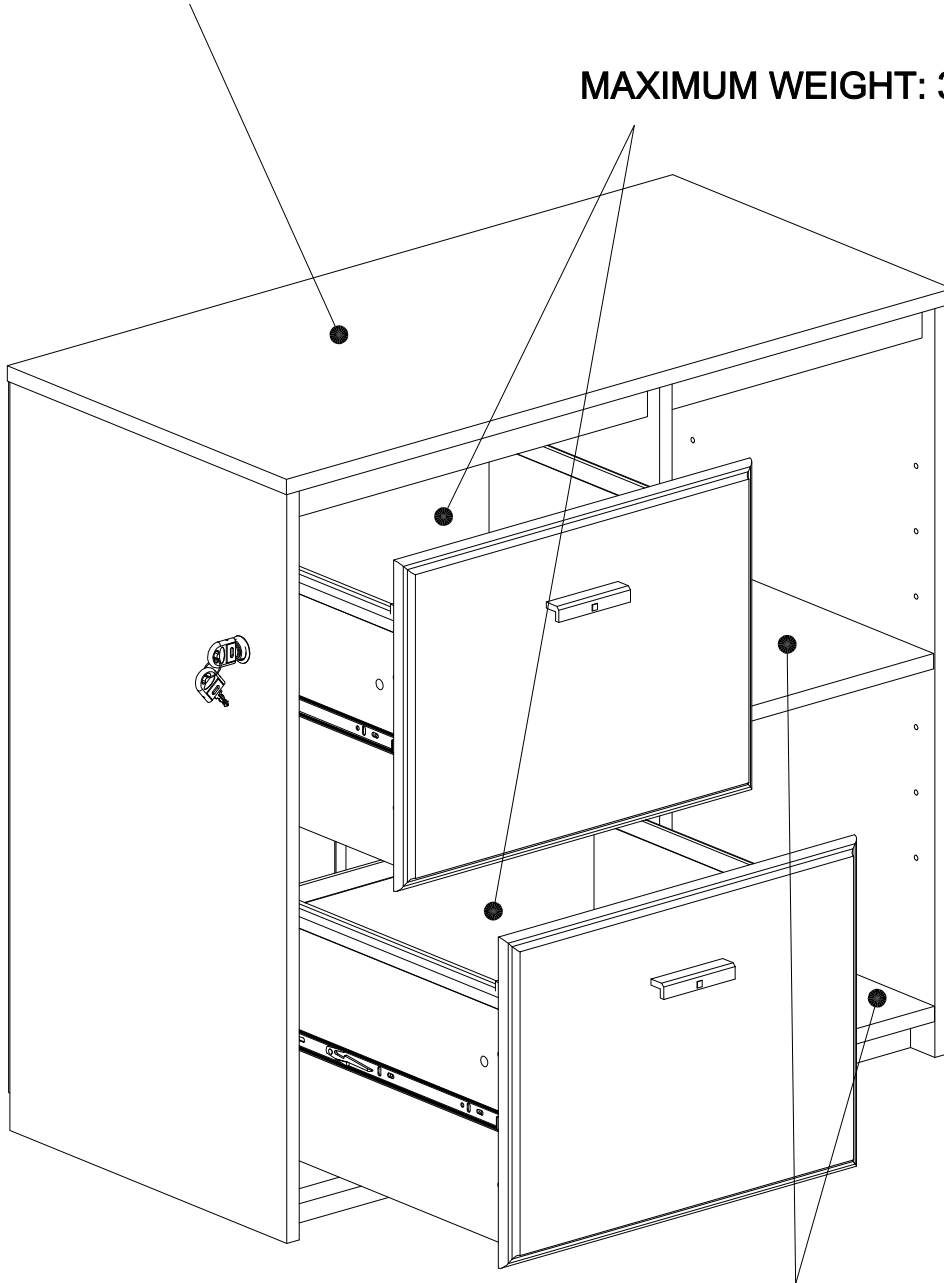
U₅ x 1pc



Maximum weight capacities

MAXIMUM WEIGHT: 99 LBS (45 KG)

MAXIMUM WEIGHT: 35 LBS (16 KG)



MAXIMUM WEIGHT: 22 LBS (10 KG)

THIS PAGE INTENTIONALLY LEFT BLANK

What is Proposition 65?

Proposition 65 is a California law that requires warning labels on products that may contain one of more than 800-plus chemicals or ingredients that the California Office of Environmental Health Hazard Assessment (OEHHA) has deemed to cause cancer or other reproductive toxicity. Chemicals and elements on this list include wood dust, brass, and other everyday substances, which can be found in very common household items, such as: lamps, tableware, jewelry, crystal glasses, electric cords, beauty products, automobiles, and furniture.

Why Did I Find a Proposition 65 Warning on My Home Goods Product?

We include Proposition 65 warnings on all of our products because there is always a chance that one of the 800-plus common chemicals and ingredients listed under this law could potentially be on our furniture or packing materials. We risk large fines under this law, if we don't include this warning.

Should I worry?

We realize you may be worried finding this warning on our products, but we want to reassure you that the hazardous exposure limits for any of these chemicals have never been found on furniture products that we've shipped to our customers. Additionally, this warning label is very common and can be found on almost every piece of furniture sold in the state of California.

Just How Common Are Proposition 65 Warnings?

Proposition 65 warnings have become so common in California that it is hard to take a trip to local bank, grocery store, or restaurant without finding at least one warning. In fact, even the Disney Land Resort has a Proposition 65 warning:

