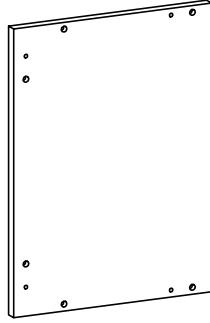
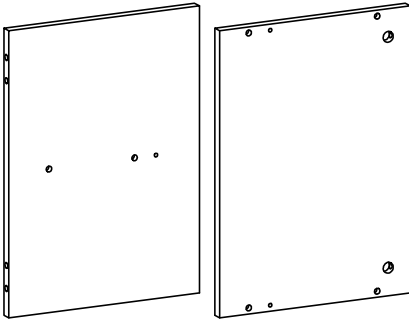


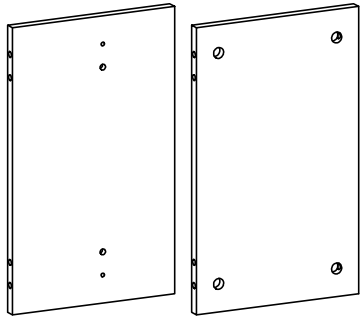
Ax1



Bx1



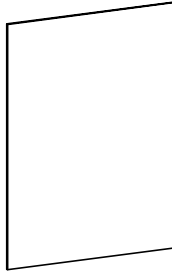
Cx1



Dx1



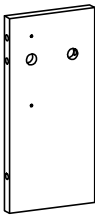
Ex1



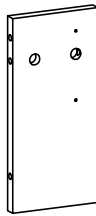
Fx1



Gx1



Hx1



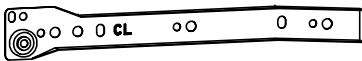
lx1



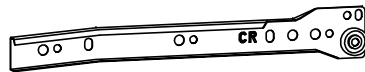
Jx1



Kx2



CLx1



CRx1



DLx1



DRx1



Lx20



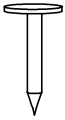
Mx18



Nx20



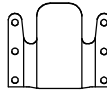
Ox20



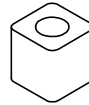
Px11



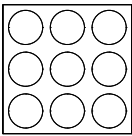
Qx1



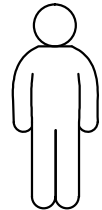
Rx4



Sx1



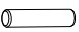
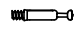
Tx3

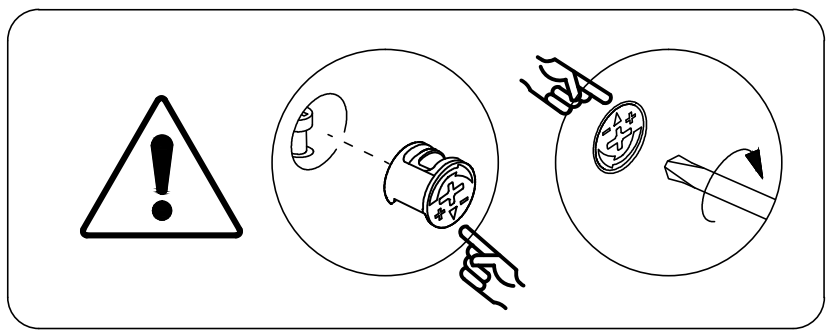
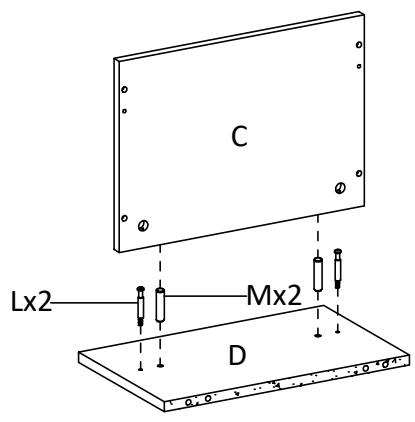


mm  
inch

x2

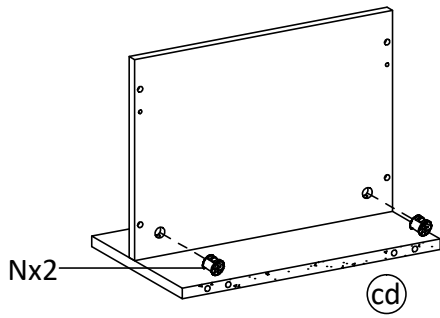
①

- Mx2 
- Lx2 



2

Nx2

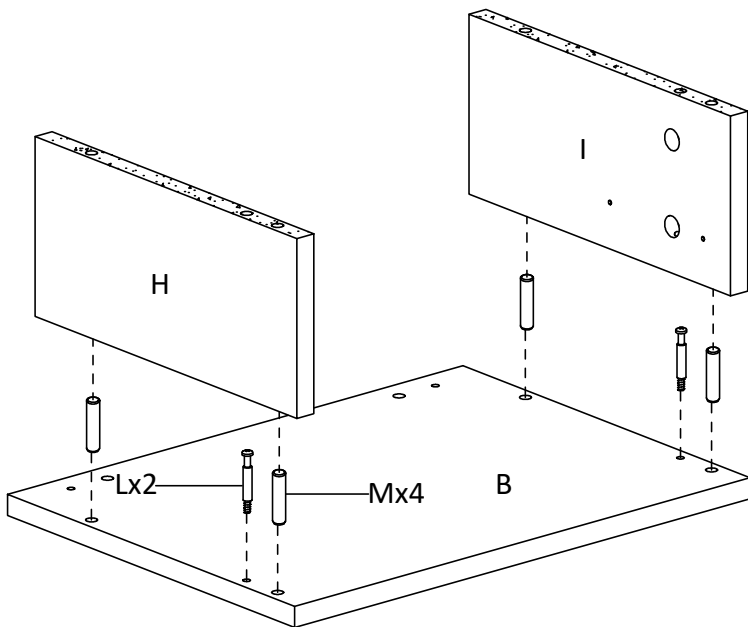


3

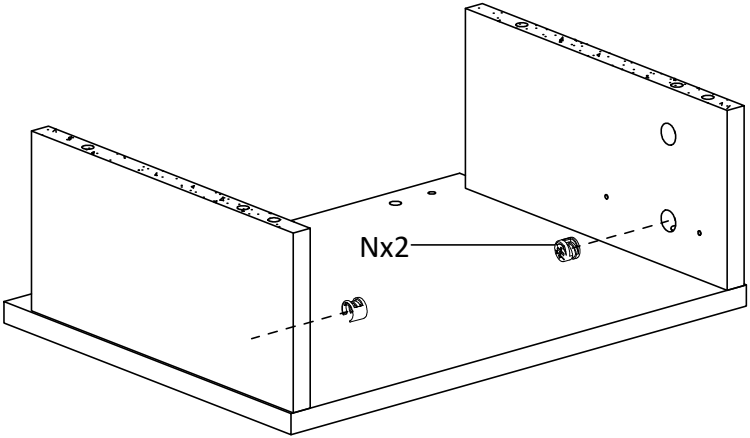
Mx4



Lx2



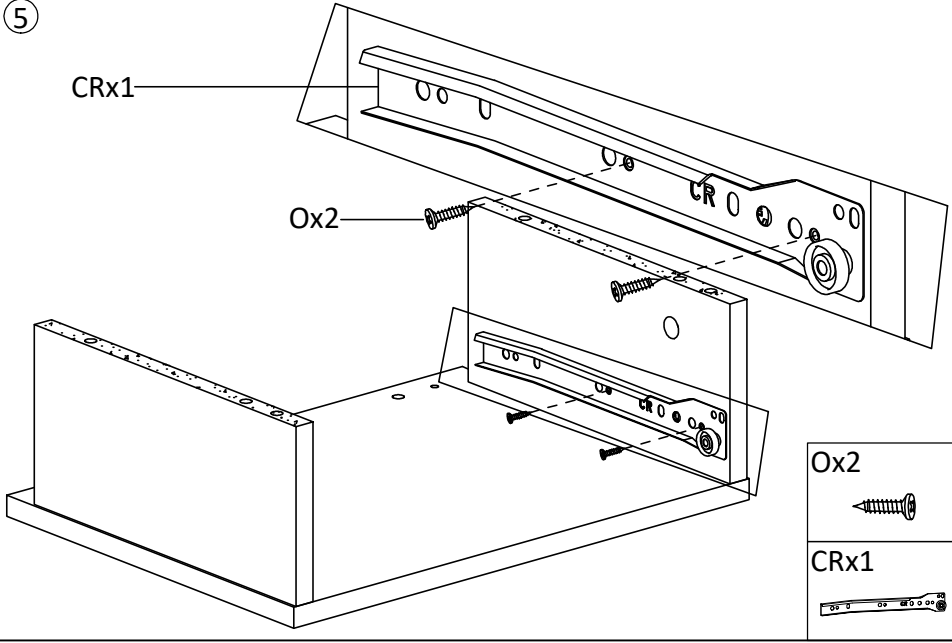
4



Nx2



5



CRx1

Ox2

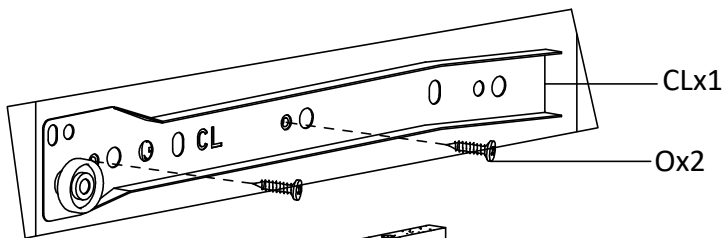
Ox2



CRx1



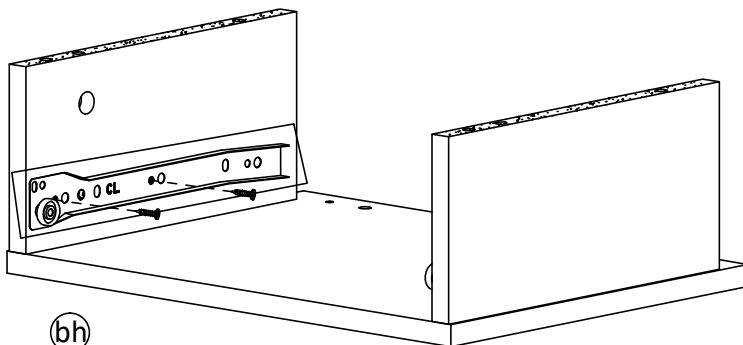
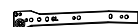
6



Ox2

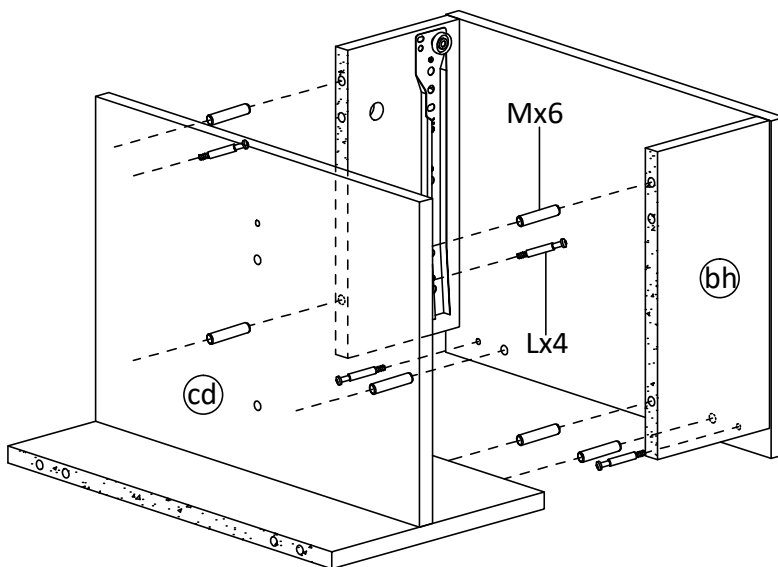


CLx1



bh

7



Mx6



Lx4

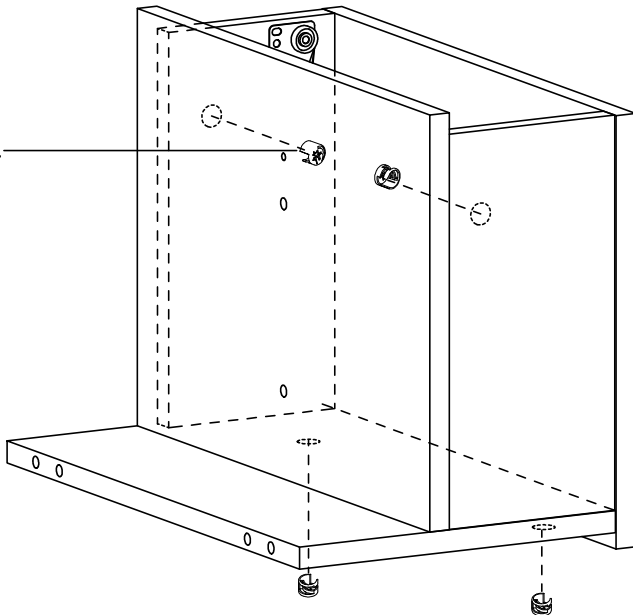


cd

bh

8

Nx4

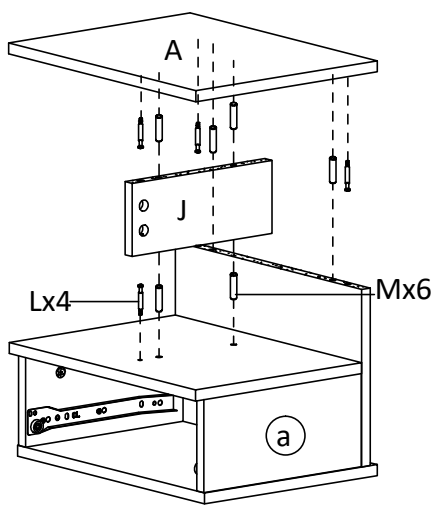


Nx4



a

9



Mx6

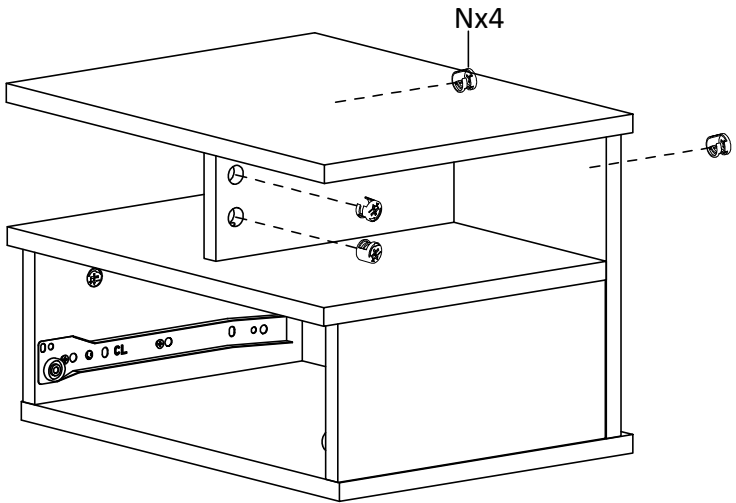


Lx4



a

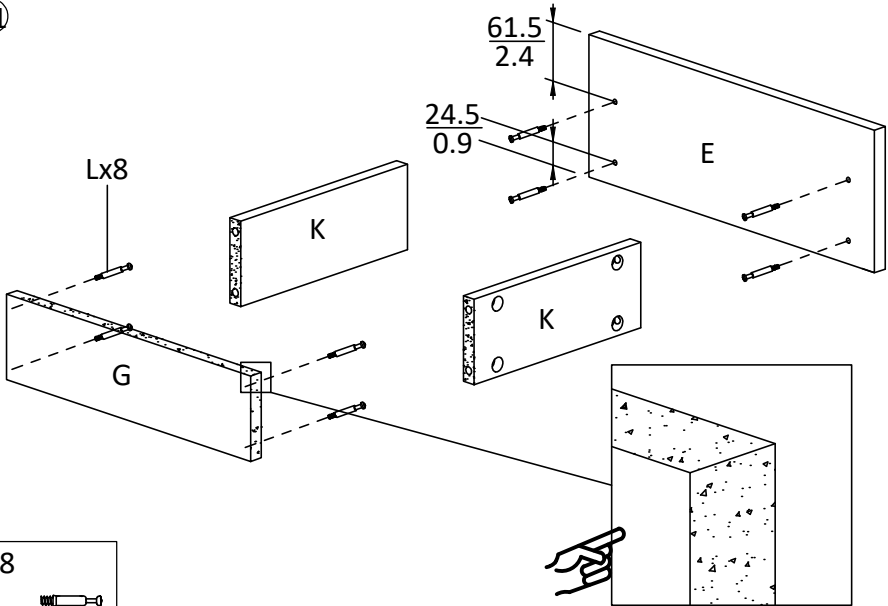
10



Nx4



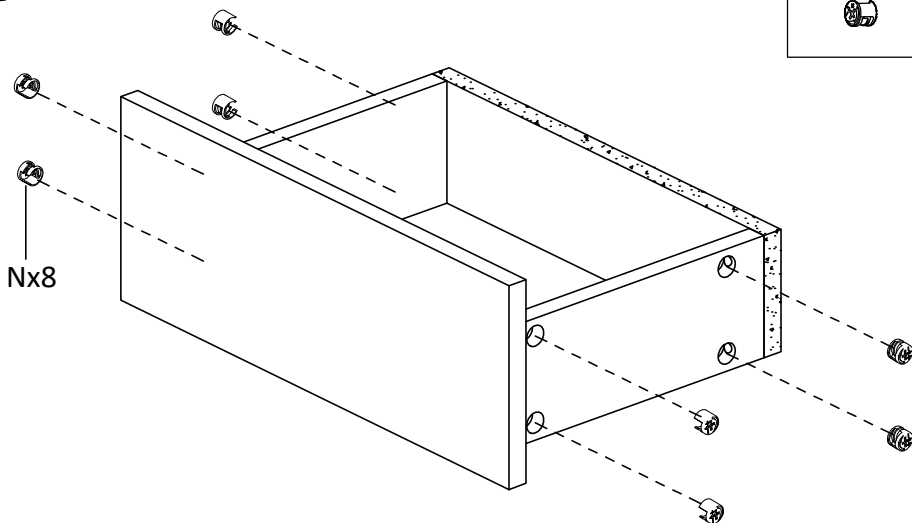
11



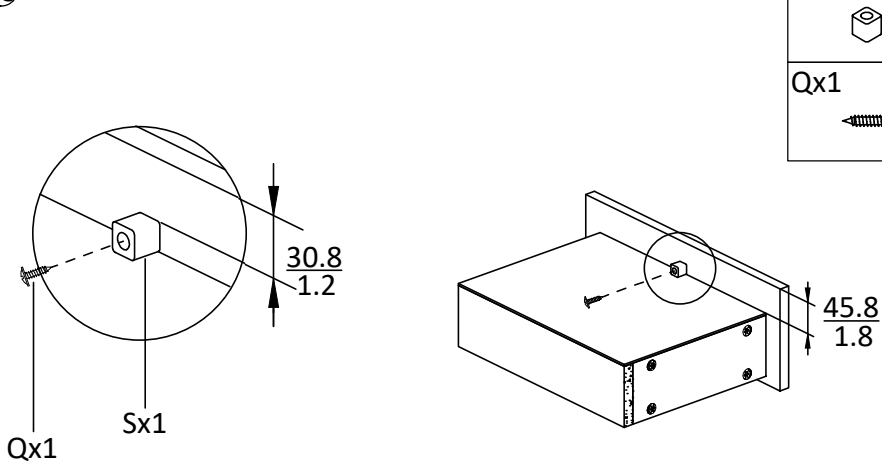
Lx8

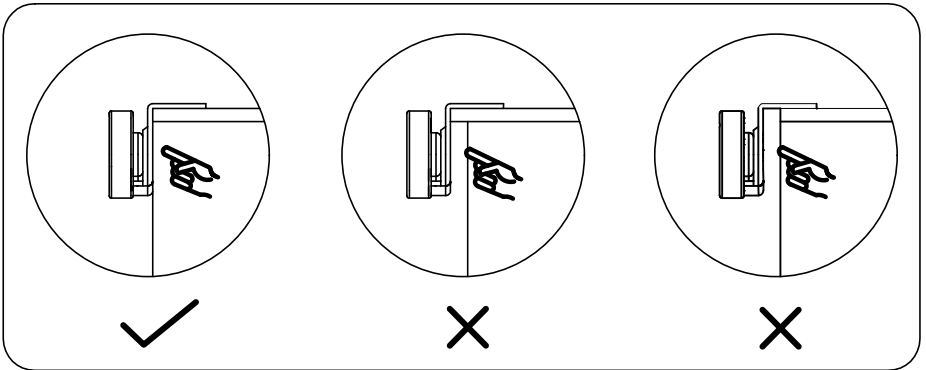
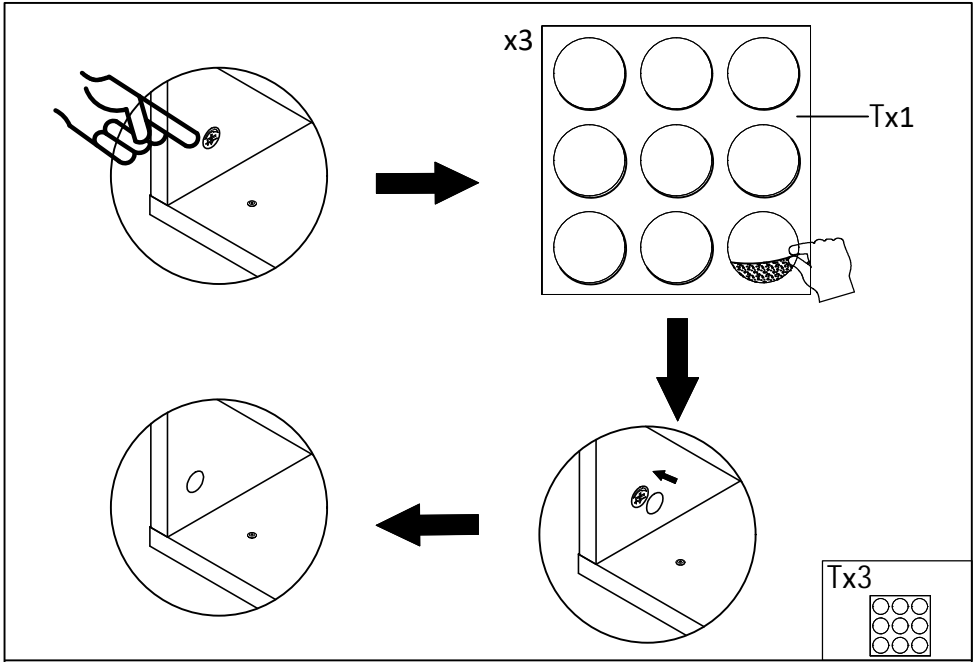


12



13



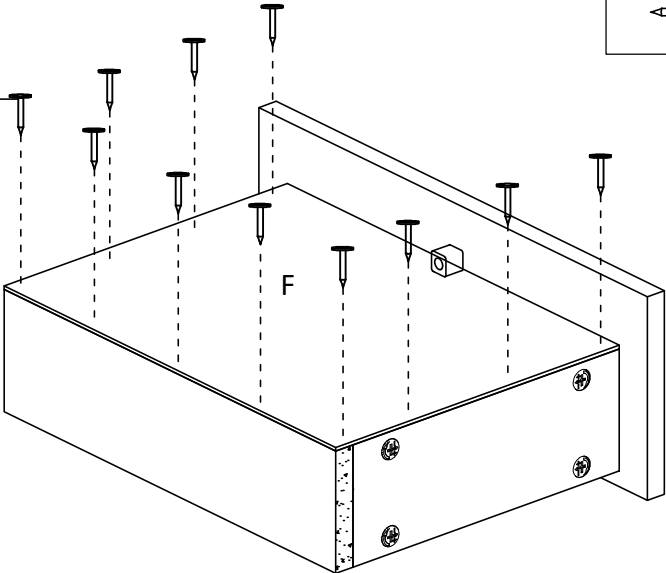


14

Px11



Px11



15

Ox2

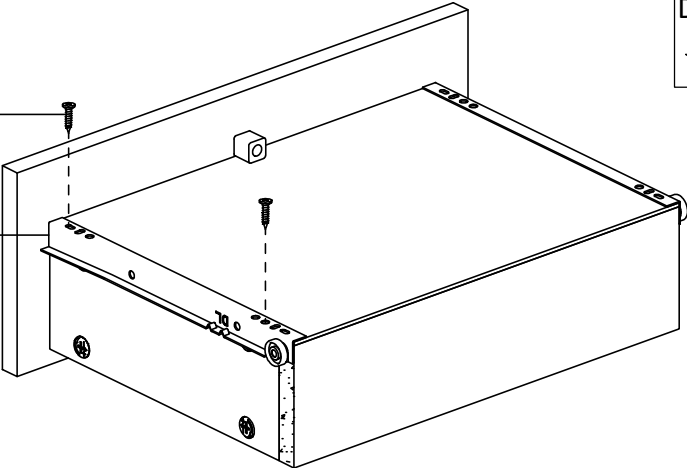


DLx1





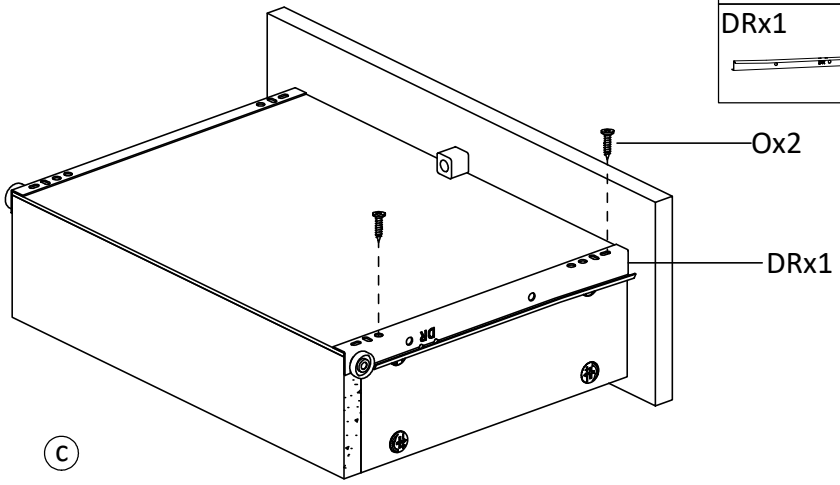
Ox2

DLx1

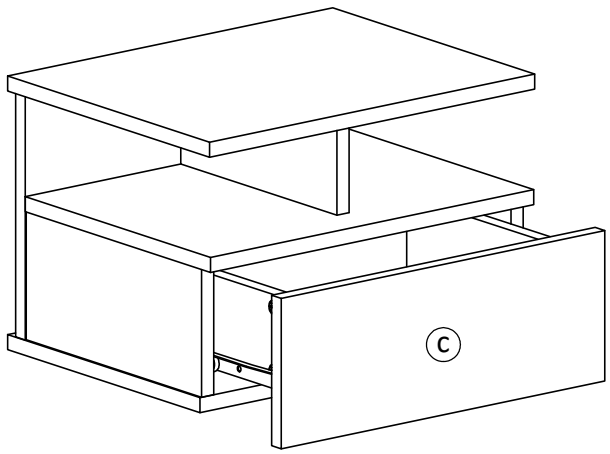


16

- Ox2 
- DRx1 



17

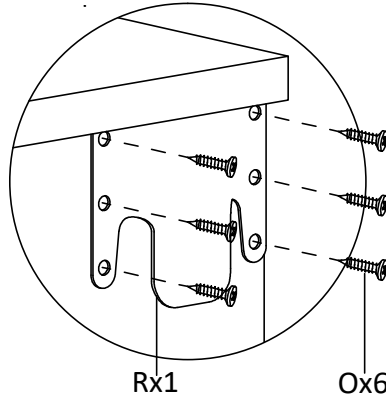


18

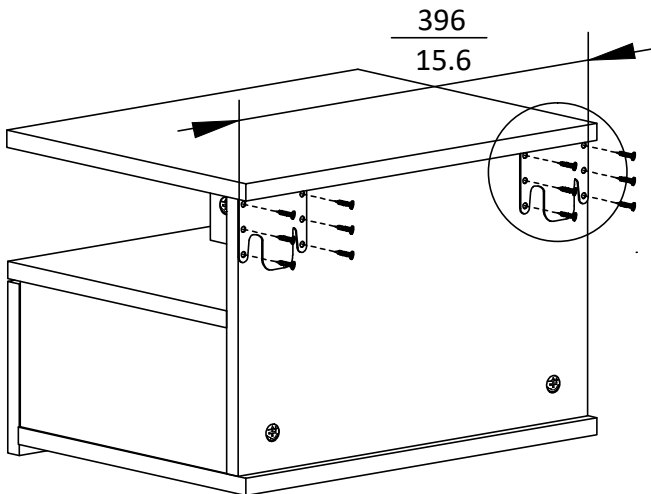
Ox12



Rx22



x2

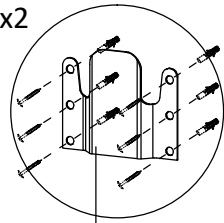


19

Rx2

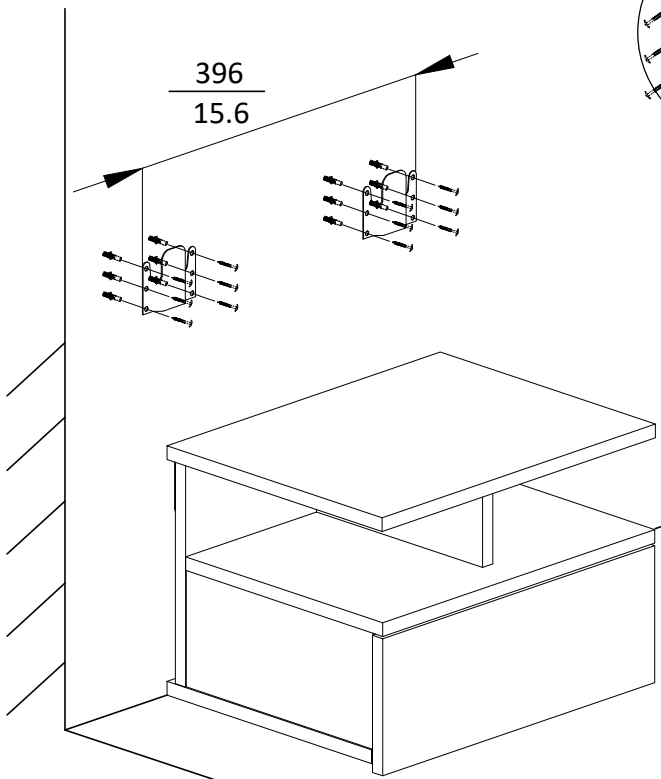


x2



Rx1

$\frac{396}{15.6}$



20

