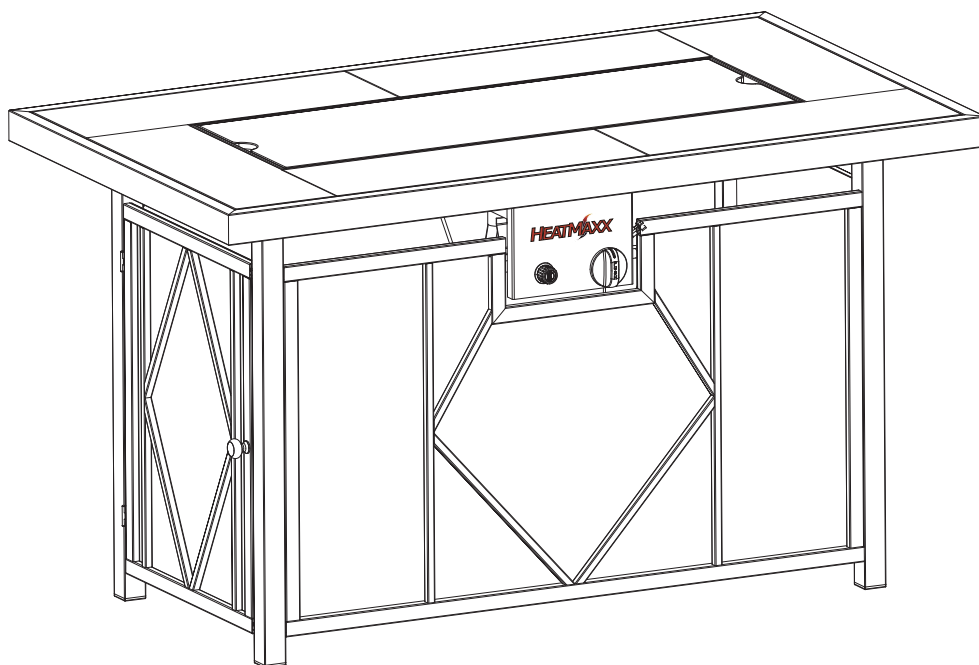


# 42" Gas Fire Pit



## User's Manual



**Questions, problems, missing parts?** Before returning to your retailer, call our customer service department

---

# WARNINGS AND CAUTIONS

Read the instructions before use. This appliance must be installed in accordance with such regulations as are in force.



## DANGER

### FIRE OR EXPLOSION HAZARD

If you smell gas:

- Shut off gas to the appliance.
- Extinguish any open flame.
- If odor continues, leave the area immediately.
- After leaving the area, call your gas supplier or fire department.

Failure to follow these instructions could result in fire or explosion, which could cause property damage, personal injury, or death.

**INSTALLER:** Leave this manual with the appliance.

**CONSUMER:** Retain this manual for future reference.



## WARNING: For Outdoor Use Only.

Installation and service must be performed by a qualified installer, service agency, or the gas supplier.



## WARNING

Do not store or use gasoline or other flammable vapors and liquids in the vicinity of this or any other appliance.

An LP-cylinder not connected for use shall not be stored in the vicinity of this or any other appliance.



## DANGER



## CARBON MONOXIDE HAZARD

This appliance can produce carbon monoxide which has no odor.

Using it in an enclosed space can kill you.

Never use this appliance in an enclosed space such as a camper, tent, car or home.



**WARNING:** If the information in this manual is not followed exactly, a fire or explosion may result causing property damage, personal injury, or loss of life.

## WHAT TO DO IF YOU SMELL GAS?

- Do not try to light the appliance.
- Do not touch any electrical switch; do not use any phone in the vicinity of this product.
- Immediately call your gas supplier from a neighbor's phone. Follow the gas supplier's instructions.
- If you cannot reach your gas supplier, call the fire department.

Installation and service must be performed by a qualified installer, service agency or gas supplier.

# TABLE OF CONTENTS

- Warnings and Cautions.....2,4-5
- Table of Contents.....3
- Exploded View.....6
- Tools and Parts.....7
- Assembly Instructions.....8-12
- Installation Instructions .....13
- Operation.....14-16
- Locating Heater For Use.....17
- Maintenance and Storage.....18-19
- Trouble Shooting.....20
- Warranty Information.....20

## REMINDER

### **BEFORE ASSEMBLY**

- Verify that all parts are included with your heater BEFORE you begin assembly by checking the Parts and Hardware List. For your convenience, some parts may be pre-assembled or attached to heater components.
- If all parts are not included, do not attempt to assemble heater. Call the toll free number on the cover page for replacement parts.
- Leave hardware installed HALF-TIGHTENED on the heater during assembly until unit is completely assembled, then finish tightening all hardware installed.

### **YOUR OWNER'S MANUAL**

- Keep and store this Owner's Manual for future reference – it contains important instructions and procedures for safety and maintenance.

## WARNINGS AND CAUTIONS

### IMPORTANT SAFETY INFORMATION

- The installation must conform with local codes or, in the absence of local codes, with either the Natural Gas and Propane Installation Code, CSA B149.1, or the Propane Storage and Handling Code, CSA B 149.2.
- This appliance requires 20 lb (9 kg) LP gas supply cylinder.
- The burner must be replaced prior to the appliance being put into operation if it is evident that the burner is damaged. The replacement burner shall be that specified by the manufacturer.
- **Installation and repair should be done by a qualified service person. The appliance should be inspected before use and at least annually by a qualified service person. More frequent cleaning may be required as necessary. It is imperative that control compartment, burners, and circulating air passageways of the appliance be kept clean.**
- Always place the appliance on a firm and level surface.
- Do not burn solid fuels in this gas appliance.
- Use the appliance outdoors in a well-ventilated space only, not in a building, garage, or any other enclosed area.
- When using the appliance, keep the appliance area clear and at least 50 inches from combustible materials, gasoline and other flammable liquid and vapors. Certain items or materials, when stored under the appliance or nearby, will be subjected to radiant heat and could be seriously damaged.
- Inspect the gas connections of appliance prior to each use. Do not operate the unit if there is gas leak. A qualified service person should inspect the appliance annually.
- Inspect the hose before each use of the appliance. The hose assembly must be replaced prior to the appliance being put into operation if there is evidence of excessive abrasion or wear or if the hose is damaged. The replacement hose assembly shall be that specified by the manufacturer.
- **Alert children and adults to the hazards of high surface temperatures and keep them away to avoid burns or clothing ignition.**
- **Carefully supervise children and pets when they are near the appliance.**
- **Any guard, barrier, or other protective device removed for servicing the appliance shall be replaced prior to operating the appliance.**
- **Do not hang clothing or other flammable materials on or near the appliance.**
- Do not use the appliance if any part has been under water. Immediately call a qualified service technician to inspect the appliance and to replace any part of the control system and any gas control which has been under water.
- The LP-gas supply cylinder to be used must be: Constructed and marked in accordance with the Specifications for LP-gas cylinders of the U.S. Department of Transportation (DOT); or the Standard for Cylinders, Spheres and Tubes for Transportation of Dangerous Goods and Commission, CAN/CSA-B339, as applicable;
- The LP-gas supply cylinder to be used must be provided with a listed overfilling prevention device; and provided with a cylinder connection device compatible with the connection for the appliance.
- Use only a cylinder supply system arranged for vapor withdrawal, and the cylinder must include a collar to protect the cylinder valve.

## WARNINGS AND CAUTIONS

### NOTE: PLEASE READ THE FOLLOWING SAFETY RULES:

Perform a leak test with a soapy solution:

1. To check gas connections.
2. After connecting a new cylinder.
3. Upon re-assembly after disassembly.

This appliance is designed to operate with a standard 20 lb propane cylinder with Approved Cylinder Connection.

### WARNING:

This product can expose you to chemicals including lead, which is known to the State of California to cause cancer, and carbon monoxide, which is known to the State of California to cause birth defects or other reproductive harm. For more information, go to: [www.P65Warnings.ca.gov](http://www.P65Warnings.ca.gov).

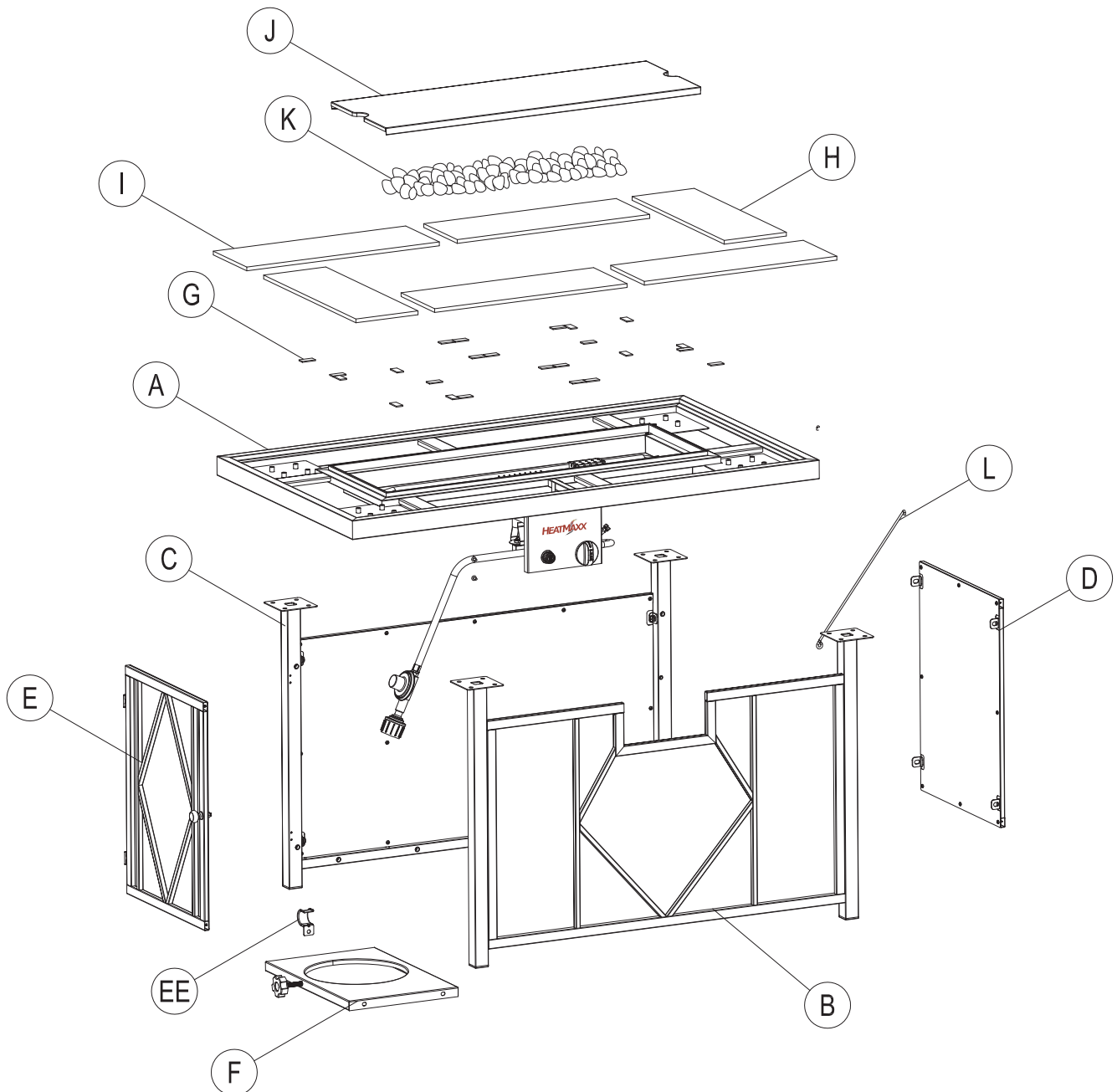
### SPECIFICATION

Certification	CSA
Rated Heat Input	60000 Btu/h (17.58kW)
Fuel	Propane
Gas Supply	20-lb. LP - gas cylinder
Manifold Pressure	11 in wc (2.74kPa).
Injector Size(diameter)	2.54mm
Gas Supply Pressure	Max. 250PSI (1750kPa), Min. 25PSI (175kPa)
Battery	Size AAA, 1 piece(not included)

Before beginning assembly of product, make sure all parts are present. If any part is missing or damaged, do not attempt to assemble the product. Contact customer service for replacement parts.

## EXPLODED VIEW

Please check the contents of the packaging to ensure all parts are included. If missing parts please contact customer service.



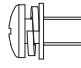








## TOOLS AND PARTS

ITEM	DESCRIPTION	QTY.
A	Table Top Frame	1
B	Front Panel	1
C	Rear Panel	1
D	Right Panel	1
E	Door	1
F	Cylinder Holder Assembly	1
G	Crash Pad	24

ITEM	DESCRIPTION	QTY.
H	Ceramic Tile A (Short)	2
I	Ceramic Tile B (Long)	4
J	Cover Lid	1
K	Glass Chips	1
L	Cylinder Block Wire	1

## HARDWARE

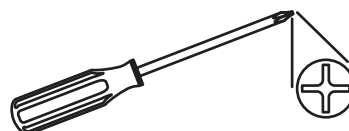
Please check the contents of the packaging to ensure all parts are included.

ITEM	DESCRIPTION	QTY.	FIG.
AA	M6x14 Bolt	24	 
BB	Screw ST4.2 x9.5	4	 
CC	Screw M4 x12	1	 
DD	Screw M4 x10	1	 
EE	Clamp	1	

### TOOLS NEEDED: (NOT INCLUDED)

Philips screwdriver

Estimated time for assembly: 30 minutes.



# ASSEMBLY INSTRUCTIONS

Choose a clear area for assembly, and a soft surface or cardboard to protect from damages. 2 person assembly recommended.

## Step 1

Place the table top frame (A) upside down to the soft, level surface, attach rear panel (C) to the table top frame (A) with (8) M6 x 14 bolts (AA) as illustrated.

Note: With the help of a friend, turn the table top frame upside down to begin assembly.

Leave hardware installed HALF-TIGHTENED on the gas fire pit during assembly until unit is completely assembled, then finish tightening all hardware installed.

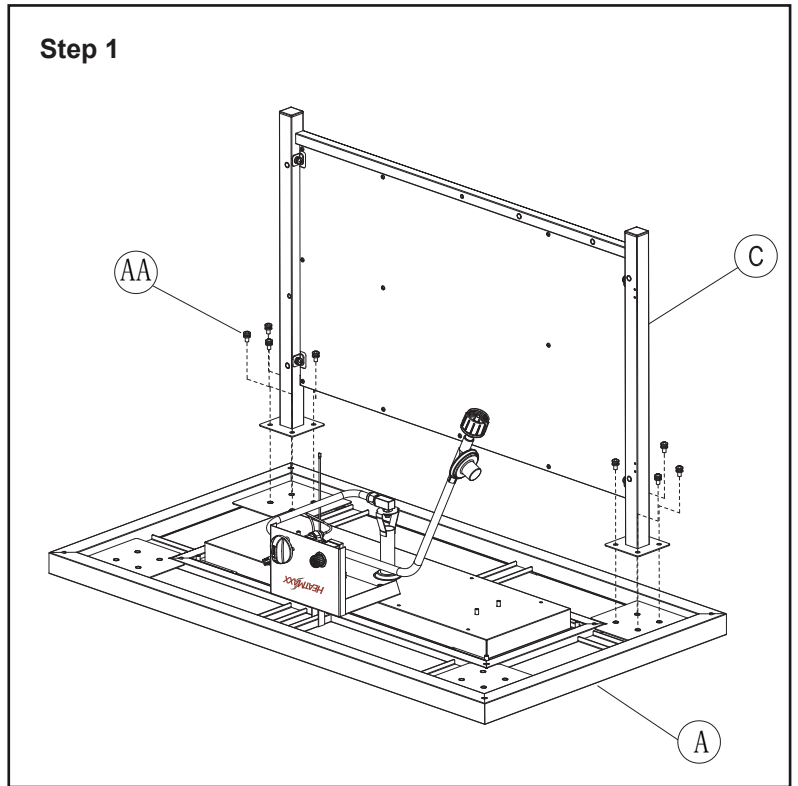
### Hardware Used

AA M6 x 14 bolt



8 pcs

## Step 1



## Step 2

Attach front panel (B) to the table top frame (A) with (8) M6 x 14 bolts (AA) as illustrated.

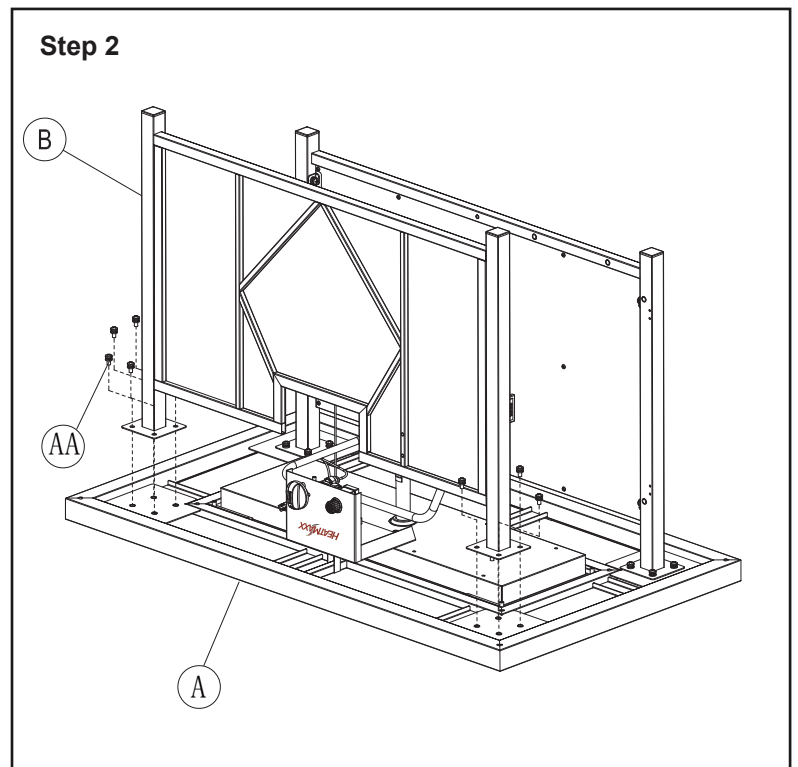
### Hardware Used

AA M6 x 14 bolt



8 pcs

## Step 2



# ASSEMBLY INSTRUCTIONS

## Step 3

Attach right panel (D) to front panel (B) and rear panel (C) with (4) M6 x 14 bolts (AA) as illustrated.

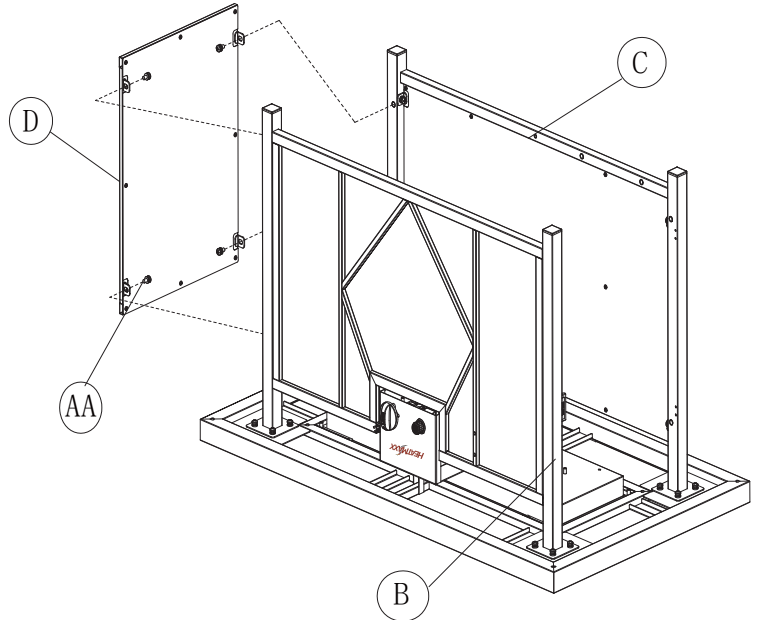
### Hardware Used

AA M6 x 14 bolt



4 pcs

## Step 3



## Step 4

Attach cylinder holder assembly (F) to front panel (B) and rear panel (C) with (4) M6 x 14 bolts (AA) as illustrated.

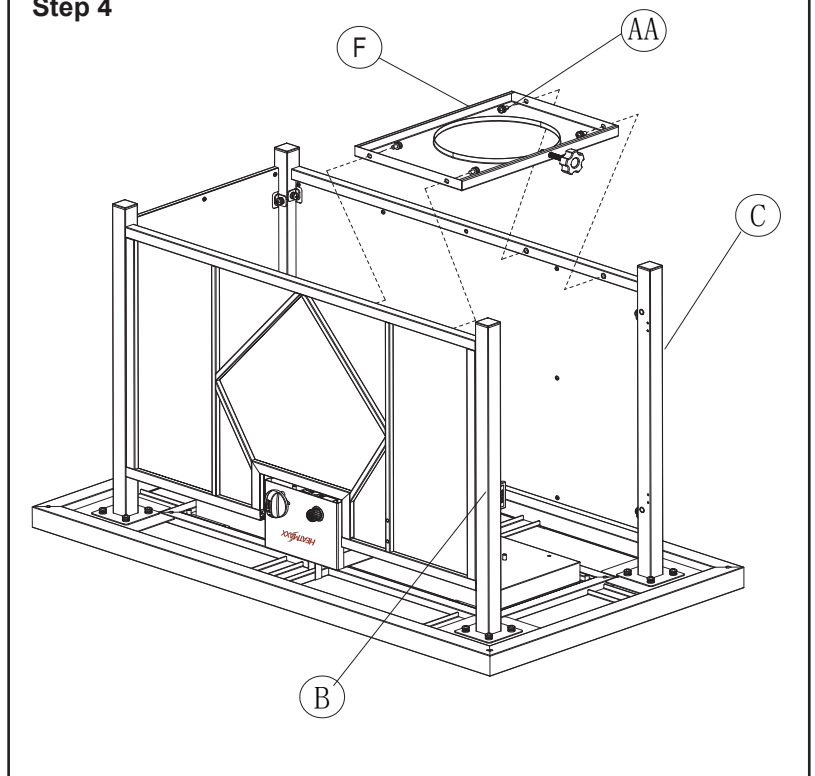
### Hardware Used

AA M6 x 14 bolt



4 pcs

## Step 4



# ASSEMBLY INSTRUCTIONS

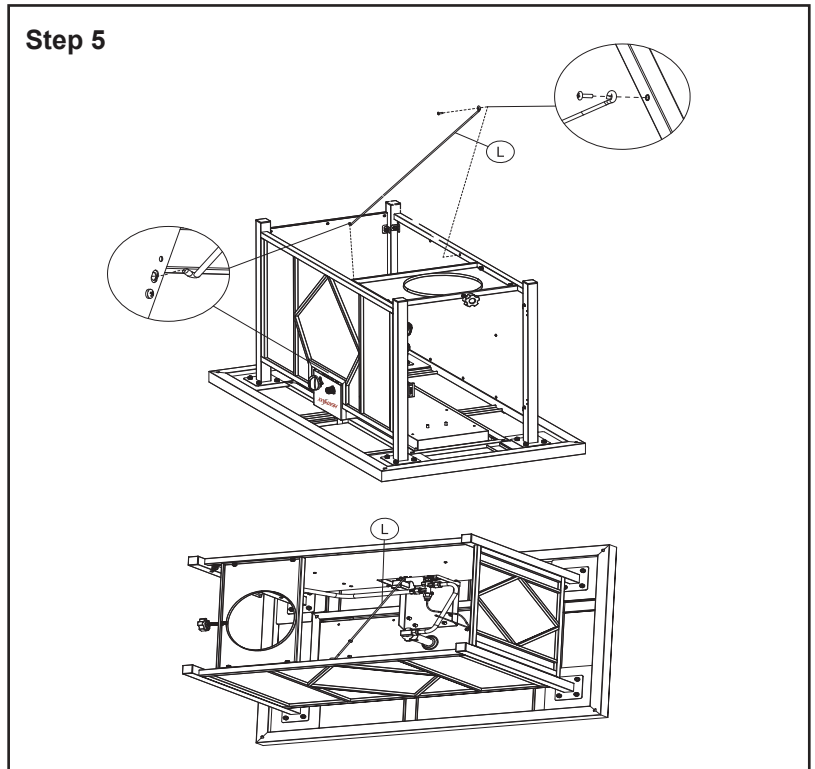
## Step 5

As illustrated insert the cylinder block wire ( L ) into the hole first before installation.

Attach cylinder block wire (L) to rear panel (C) with (1) screw M4x12(CC).

### Hardware Used

CC screw M4x12   1 pc




## Step 6

Fixed the hose to the front panel(B) with the clamp(EE) and the screw M4x10(DD) as illustrated.

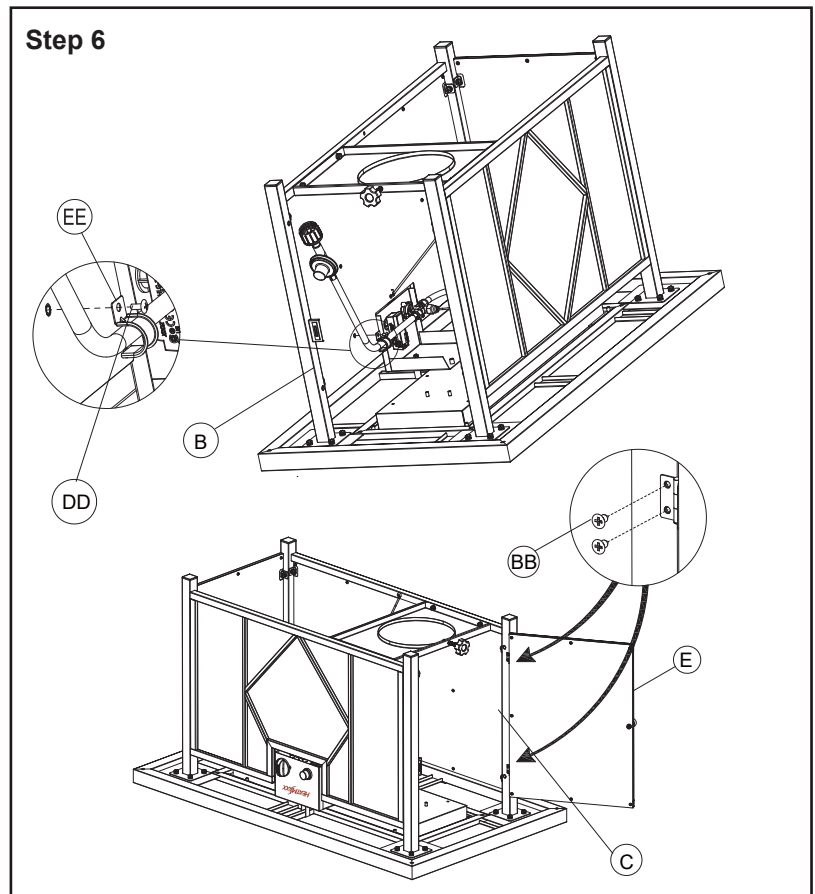
Attach (2) hinges of the door (E) to the rear panel (C) with (4) screws ST4.2 x 9.5 (BB) as illustrated.

Note: Using 2 people to lift, turn the gas fire pit into upright position after completing step 6.

### Hardware Used

BB screw ST4.2 x9.5   4 pcs

DD screw M4x10   1pc

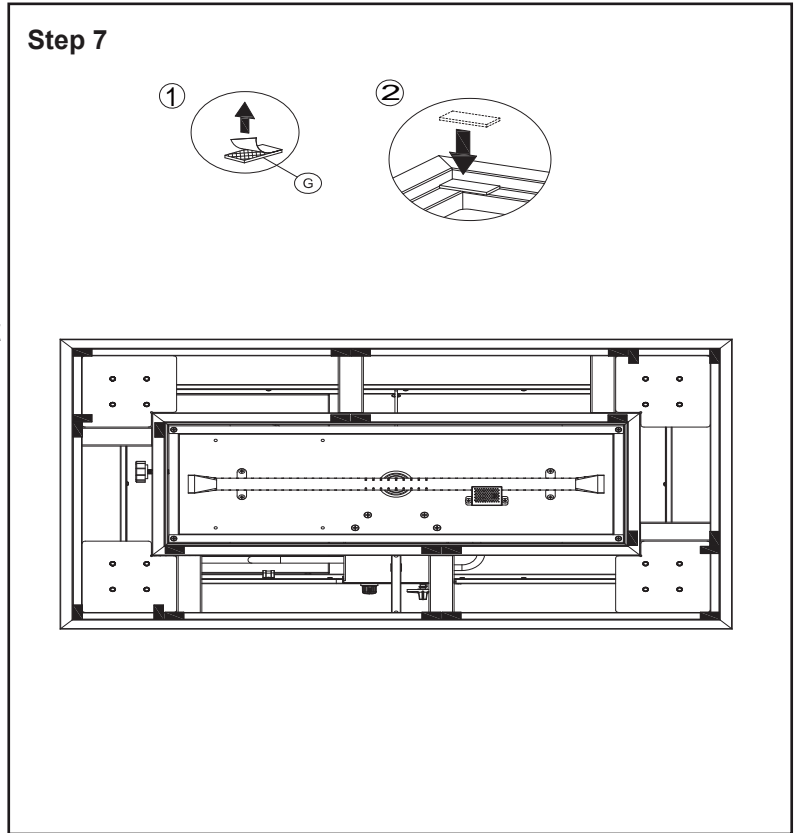


## ASSEMBLY INSTRUCTIONS

### Step 7

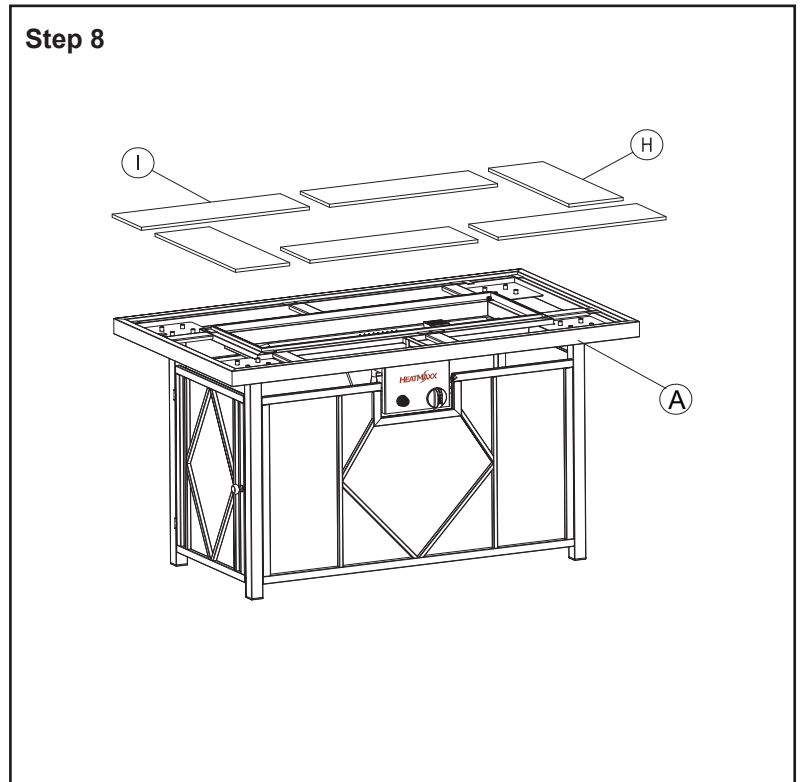
Peel and stick the crash pads (G) on each corner of the metal frame as illustrated, totalling 24 crash pads.

Note: Before applying the adhesive crash pads, be sure to wipe down the metal surface and make sure it is free of any dust or debris.



### Step 8

Put (4) ceramic tiles B (Long) (I) and (2) ceramic tiles A (Short) (H) onto the table top frame (A) as illustrated.

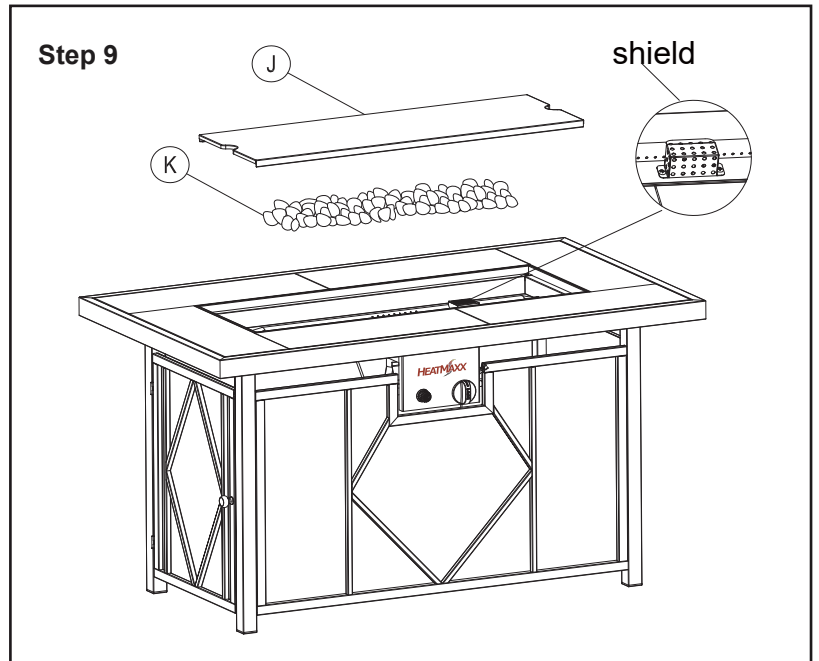


## ASSEMBLY INSTRUCTIONS

### Step 9

Put the glass chips (K) into the fire bowl, need to avoid the shield as illustrated.

Place the cover lid (J) onto the table top when not in use.

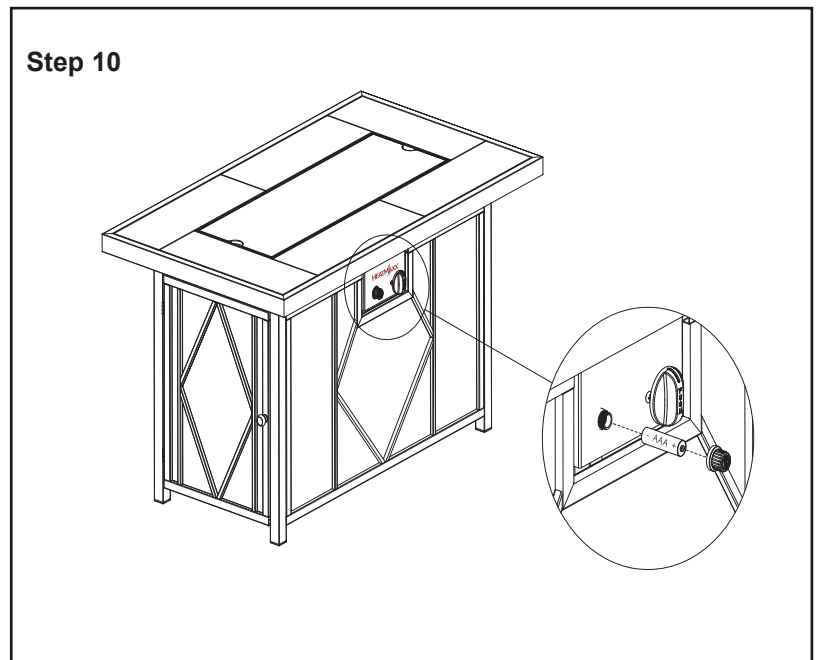


### Step 10

Unscrew the battery compartment cap on the control panel, install one AAA battery (not included) with the positive (+) end of battery located towards the battery compartment cap.

Replace the battery compartment cap into position as illustrated.

**WARNING:** Failure to position the parts in accordance with these diagrams or failure to use only parts specifically approved with this appliance may result in property damage or personal injury.



# INSTALLATION INSTRUCTIONS

## INSTALLATION

Two or more people are recommended for easier installation.

## LOCATION

Your fire pit must be installed on a flat, stable surface, away from any combustible materials or construction.

## SET-UP

1. Place fire pit on any level, outdoor, non-combustible surface.

**NOTE:** Do not place the appliance on grass or dirt.

This may prevent proper safety venting.

2. Pour the glass chips (max15.43lb) onto the fire pit.
3. Open the door panel (E) and place cylinder in the holder assembly. **Make sure the valve outlet of cylinder is facing outward** .(Fig. 11)
4. Turn the cylinder locking bolt clockwise to secure the gas cylinder. (Fig. 12)
5. Attach regulator to cylinder and turn clockwise by hand. (Fig. 13)
6. Check your fire pit for leaks before use. (Fig. 14 )

Your gas fire pit has been checked at all connections at the factory for leakage.

In transportation and handling some connections may have loosened. Follow these steps to check the hose/ regulator/cylinder connections:

- 1) Make leakage solution by mixing 1part liquid dish soap and 3 parts water.
- 2) Spoon or brush several drops (or use squirt bottle) of the solution onto hose/regulator/cylinder connection.
- 3) Turn on gas cylinder. Inspect the connections and look for bubbles.
- 4) If no bubbles appear, the connection is safe.
- 5) If bubble appear, there is leakage, loosen and re-tighten this connection. If there is still a leak, please service department at 1-888-909-3888 or e-mail to [customerservice@shinerich.us](mailto:customerservice@shinerich.us).

Note:

- 1) The cylinder supply system must be arranged for vapor withdrawal;
- 2) The cylinder used must include a collar to protect the cylinder valve.

The hose assembly must be replaced prior to the appliance being put into operation if there is evidence of excessive abrasion or wear, or if the hose is damaged.

At least once a year, a complete inspection of the entire gas path components should be performed.

If there is need to replace parts, proceed to leak test after reassembly (These procedures should be performed by a professional technician).

Fig.11

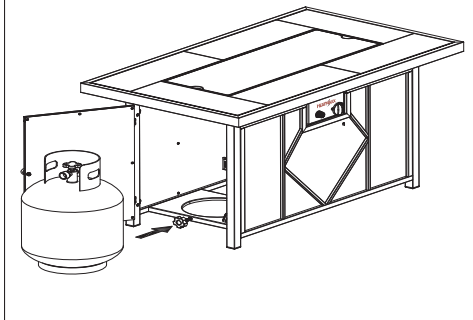


Fig.12

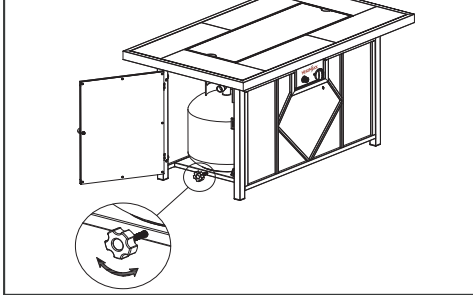


Fig.13

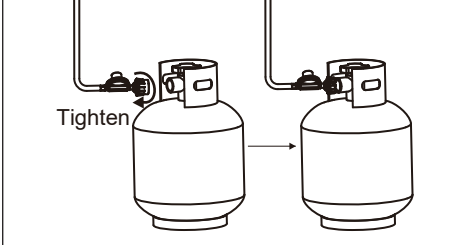
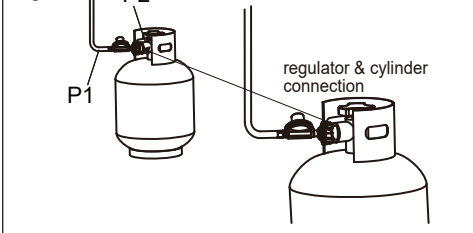


Fig.14



## OPERATION

**WARNING: DO NOT ATTEMPT TO OPERATE THE APPLIANCE UNTIL YOU HAVE READ AND UNDERSTAND ALL PRECAUTIONS . FAILURE TO DO SO CAN RESULT IN PROPERTY DAMAGE, SERIOUS INJURY, OR DEATH.**

### **WARNING!!!**

- Do not use an open flame to check for leakage.
- Do not smoke during testing.
- Do not test indoors.
- A leak check must be performed whenever the gas cylinder is replaced.

### **NOTE:**

Use only the pressure regulator supplied with this fire pit.  
Replace them with those specified by the manufacturer only.

### **Before turning gas supply ON**

Your fire pit was designed and approved for **OUTDOOR USE ONLY**. **DO NOT** use it inside a building or any other enclosed area.

Make sure surrounding areas are free of combustible materials, gasoline, and other flammable vapors or liquids.

Ensure that there is no obstruction to air ventilation.

Be sure all gas connections are tight and there are no leaks.

Be sure the access panel is clear of debris.

Be sure any component removed during assembly or servicing is replaced and fastened prior to starting.

### **WARNING**

**FOR YOUR SAFETY:**

If at any time you are unable to light burner and smell gas, wait 5 minutes to allow gas to dissipate before attempting to relight gas appliance.

### **WARNING**

**FOR YOUR SAFETY:**

**DO NOT** touch or move gas appliance for at least 45 minutes after use.

### **WARNING**

Lighting operations should comply with Lighting Instruction section. Improper lighting operations will cause serious injury and explosion.

## OPERATION

**WARNING:DO NOT ATTEMPT TO OPERATE THIS HEATER UNTIL YOU HAVE READ AND UNDERSTAND ALL PRECAUTIONS. FAILURE TO DO SO CAN RESULT IN PROPERTY DAMAGE, SERIOUS INJURY, OR DEATH.**

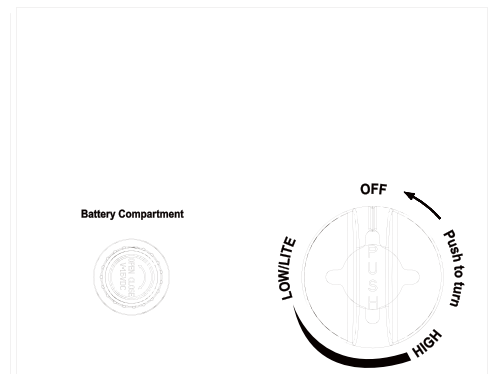
### Before Lighting

The gas fire pit should be thoroughly inspected before each use , and by a qualified service person at least annually.

If relighting a hot gas fire pit, always wait at least 5 minutes.

### Lighting instructions

1. Make sure control knob is in the "OFF" position.
2. Turn LP cylinder gas valve to fully open position.
3. Press down control knob and turn it counter clockwise to "LOW" position.
4. Push in gas control knob all the way and hold. Continue to press the ignition button for 15 seconds.
5. If the burner is not lit, press down the control knob and turn clockwise to "OFF" position, repeat from step 3 after 5 minutes.
6. When burner is lit, turn the control knob to desired heat output position between "LOW" and "HIGH".
7. Press down and turn the control knob clockwise to "OFF" position to shut down the appliance. Turn off cylinder gas valve.

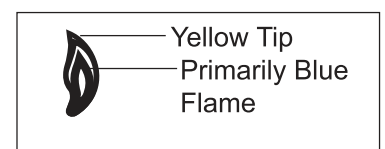


### Flame Characteristic

Normally the burner flame is yellow.

If the burner flame is blue and very small, please check the gas cylinder, as it may be low gas pressure or empty. If there is enough gas in the cylinder, please contact customer service to change the burner of the gas fire pit.

If flames lift away from burner or backfire happens, or produce thick black smoke, the fire pit should be turned off immediately. The fire pit should not be operated again until the unit is serviced and/or repaired by a qualified service technician.



## OPERATION

**CAUTION: AVOID INHALING FUMES EMITTED FROM THE GAS APPLIANCE'S FIRST USE. SMOKE AND ODOR FROM THE BURNING OF OILS USED IN MANUFACTURING WILL APPEAR. BOTH SMOKE AND ODOR WILL DISSIPATE AFTER APPROXIMATELY 30 MINUTES. THE GAS APPLIANCE SHOULD NOT PRODUCE ANY THICK BLACK SMOKE.**

### NOTE:

The burner may be noisy when initially turned on. To eliminate excessive noise from the burner, turn the control knob to the LOW position. Then, turn the knob to the level of heat desired.

### Operation pressure checked:

If the flame is very small, this is because the supply pressure is not enough. Please refill gas cylinder.

### Re-light:

- 1) Turn the control knob to "OFF" position.
- 2) Wait five (5) minutes before attempting to relight appliance.
- 3) Repeat steps beginning with step 3 of the lighting instruction.

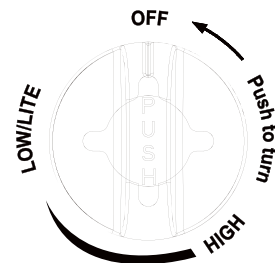
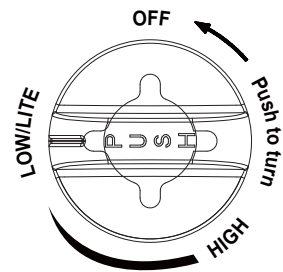
### Shut down instructions:

- 1) Push in and turn control knob clockwise to "OFF" position.
- 2) Turn LP cylinder gas valve clockwise to OFF position when appliance is not in use.

### The Event of Gas Leakage:

- 1) Turn the control knob to "OFF" position.
- 2) Turn LP cylinder valve to OFF position.
- 3) Wait 5 minutes to allow gas to dissipate.
- 4) If odor continues, immediately call gas supplier.

**WARNING :** Gas appliance will be hot after use.  
Handle with extreme care.



## LOCATING HEATER FOR USE

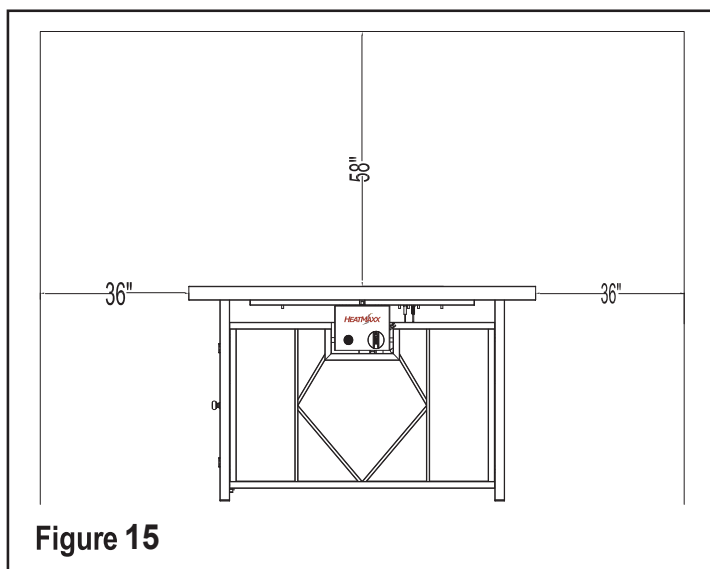
**CAUTION: WHEN CERTAIN MATERIALS OR ITEMS ARE LEFT ABOVE, BESIDE OR UNDER THIS HEATER WHILE IN USE, THEY WILL BE SUBJECT TO RADIANT HEAT AND COULD BE SERIOUSLY DAMAGED.**

This gas fire pit is primarily used for the heating of outdoor patios, decks, spas, pools and open working areas.

Always make sure that adequate fresh air ventilation is provided. Follow the spacing tolerances shown in Figure 15 at all times.

This gas fire pit must be placed on level, firm ground.

Never operate in an explosive atmosphere. Keep away from areas where gasoline or other flammable liquids or vapors are stored or used.



**Figure 15**

## MAINTENANCE AND STORAGE

### CLEANING AND MAINTENANCE :

To enjoy years of outstanding performance from your gas fire pit, make sure you perform the following maintenance activities on a regular basis:

- Keep exterior surfaces clean.
- Use warm soapy water for cleaning. Never use flammable or corrosive cleaning agents.
- While washing your unit, be sure to keep the area around the burner dry at all times. If the gas control is exposed to water in any way, do NOT try to use it. It must be replaced.
- Keep the appliance area free and clean from combustible materials, gasoline and other flammable vapors and liquids; not obstructing the flow of combustion and ventilation air; keeping the ventilation opening(s) of the cylinder enclosure free and clear from debris.
- Check if there are cracks or worn sections on hose. If yes, please call our customer service to replace hose.
- **At least once a year, the unit should be inspected** for the presence of spiders, spider webs or other insects.
- Air flow must be unobstructed. Keep controls, burner, and circulating air passageways clean. Signs of possible blockage include:
  - Gas fire pit does NOT reach the desired temperature.
  - Gas fire pit glow is excessively uneven.
  - Gas fire pit makes popping noises.
- Spiders and insects can nest in burner or orifices. This dangerous condition can damage gas fire pit and render it unsafe for use. Clean burner holes by using a heavy-duty pipe cleaner. Compressed air may help clear away smaller particles.

**WARNING:**  
**FOR YOUR SAFETY ;**  
DO NOT touch or move gas appliance for at least 45 minutes after use. Allow all burner elements to cool before touching.

**NOTE:**  
In a salt-air environment (such as near an ocean) corrosion occurs more quickly than normal. Frequently check for corroded areas and repair them promptly.

**NOTE:**  
Wait until gas appliance is completely cool before covering.

## MAINTENANCE AND STORAGE

- Store the fire pit indoors during the winter if it will be subjected to freezing temperatures.
- Disconnect and remove the cylinder from the appliance before the appliance can be stored indoors.

### NOTE:

Wait until the appliance is completely cool before covering.

### STORAGE

- Turn the control knob to "OFF" position.
- Turn LP cylinder to OFF position.
- Take out the battery from the battery compartment during periods of extended inactivity or when transporting.
- Allow at least 45 minutes for the fire pit to cool down after use, and then turn regulator counterclockwise to disconnect the regulator from cylinder, turn the cylinder clamp screw counterclockwise to loose the cylinder and remove the cylinder.
- Cylinder must be stored outdoors in a well-ventilated area out of the reach of children. When the cylinder is disconnected, tightly install the threaded valve plugs, and do not store it in a building, garage or any other closed area.
- You may store product indoors ONLY if the cylinder is disconnected and removed.
- Keep the fire pit area clear and free from combustible materials, gasoline and other flammable vapors and liquids.
- If you are not using the fire pit cover it to protect exterior surfaces and to help prevent build up in air passages.
- Store gas fire pit in an area sheltered from direct contact with inclement weather (such as rain, sleet, hail, snow, dust and debris).
- A qualified service person should install and repair the fire pit and inspect it annually.
- **It might be necessary to clean this fire pit frequently. You must keep the control compartment, burner and circulating air passageways clean.**

## TROUBLESHOOTING

<b>PROBLEM OBSERVED</b>	<b>POSSIBLE CAUSE</b>	<b>CORRECTIVE MEASURES</b>
Gas odor	Gas leak	Check all gas connections
Delayed ignition	Low gas pressure Clogged or dirty burner ports Spent battery	Check gas supply pressure Clean burner parts--see manual "CLEANING AND MAINTENANCE" section Change battery
Incorrect burner flame	Incorrect gas supply or pressure Clogged or dirty burner ports	Check gas supply pressure Clean burner parts

## WARRANTY INFORMATION

The appliance has been manufactured under the highest standards of quality and workmanship. We warrant to the original consumer/purchaser that all aspects of this product will be free of defects in material and workmanship for one (1) year from the date of purchase. A replacement for any defective part will be supplied free of charge for installation by the consumer. Defects or damage caused by the use of other than genuine parts are not covered by this warranty. This warranty shall be effective from the date of purchase as shown in the purchaser's receipt.

This warranty is valid for the original consumer/purchaser only and excludes industrial, commercial or business use of the product, product damage due to shipment or failure which results from alteration, product abuse, or product misuse, whether performed by a contractor, service company, or consumer. We will not be responsible for labor charges and/or damage incurred in installation, repair or replacement, nor for incidental or consequential damage.