

## USER'S MANUAL

# Glass Dining Table

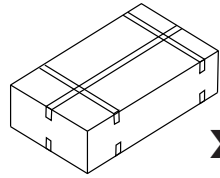
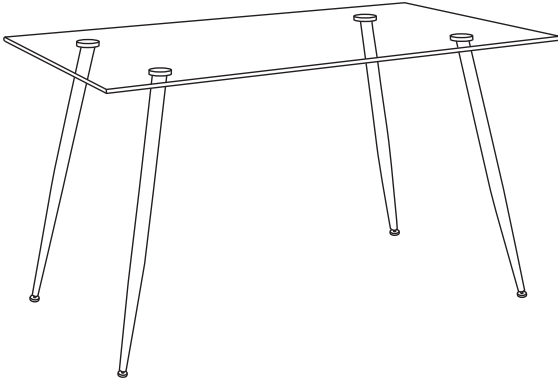
THIS INSTRUCTION BOOKLET CONTAINS **IMPORTANT** SAFETY INFORMATION. PLEASE READ AND KEEP FOR FUTURE REFERENCE.



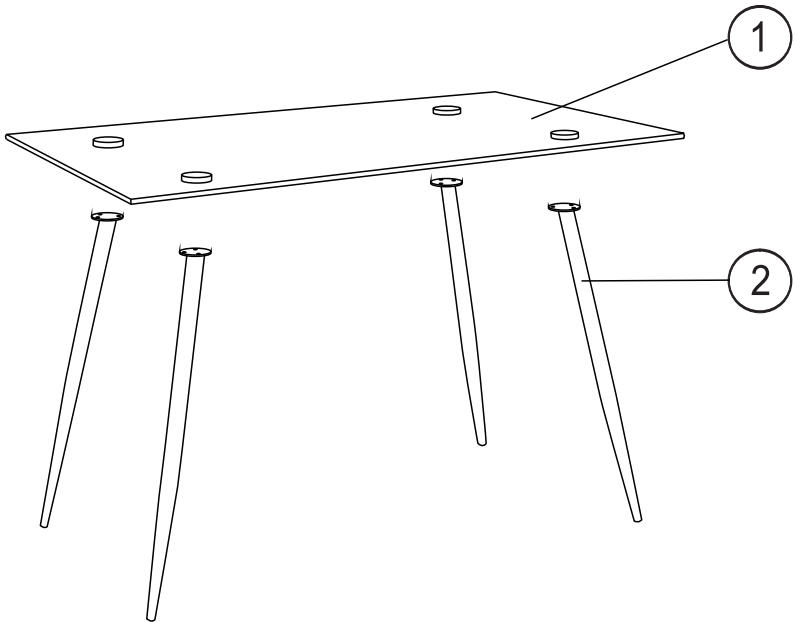


## Before You Start

- ⚠ Please read all instructions carefully.
- ⚠ Retain instructions for future reference.
- ⚠ Separate and count all parts and hardware.
- ⚠ Read through each step carefully and follow the proper order.
- ⚠ We recommend that, where possible, all items are assembled near to the area in which they will be placed in use, to avoid moving the product unnecessarily once assembled.
- ⚠ Always place the product on a flat, steady and stable surface.
- ⚠ Keep all small parts and packaging materials for this product away from babies and children as they potentially pose a serious choking hazard.



**x 2**

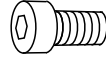


**A**

M6 X12

**B**

M6 X12

**C**

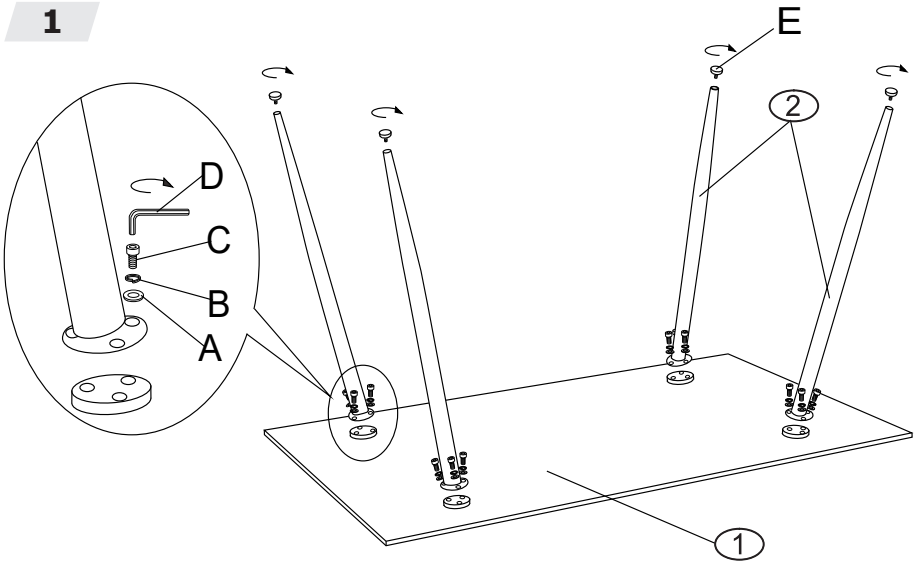
M6x10 X12



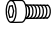


**D**

M6 X1

**E**

M8 X4

**1**

<b>A</b>	<b>B</b>	<b>C</b>	<b>D</b>	<b>E</b>
				
M6 x12	M6 x12	M6 x12	M5 x1	M8 x4

2

