

# INSTRUCTION MANUAL

## WARNING

- You need a helper to finish the installation.
- DO NOT let children climb the product.
- To avoid suffocation danger, keep small parts and package materials away from children.
- Adult assembly required. Keep children away during the installation.
- You could use "corner guard" to protect children from getting hurt by the product's edges.
- Carefully separate and identify all the parts included in your package. Confirm that you have all the components listed in the instruction manual. If any parts were missing, broken or wrong delivered, contact us

## Assembly Instructions

**Before beginning the assembly process, please read and save these instructions for reference.**

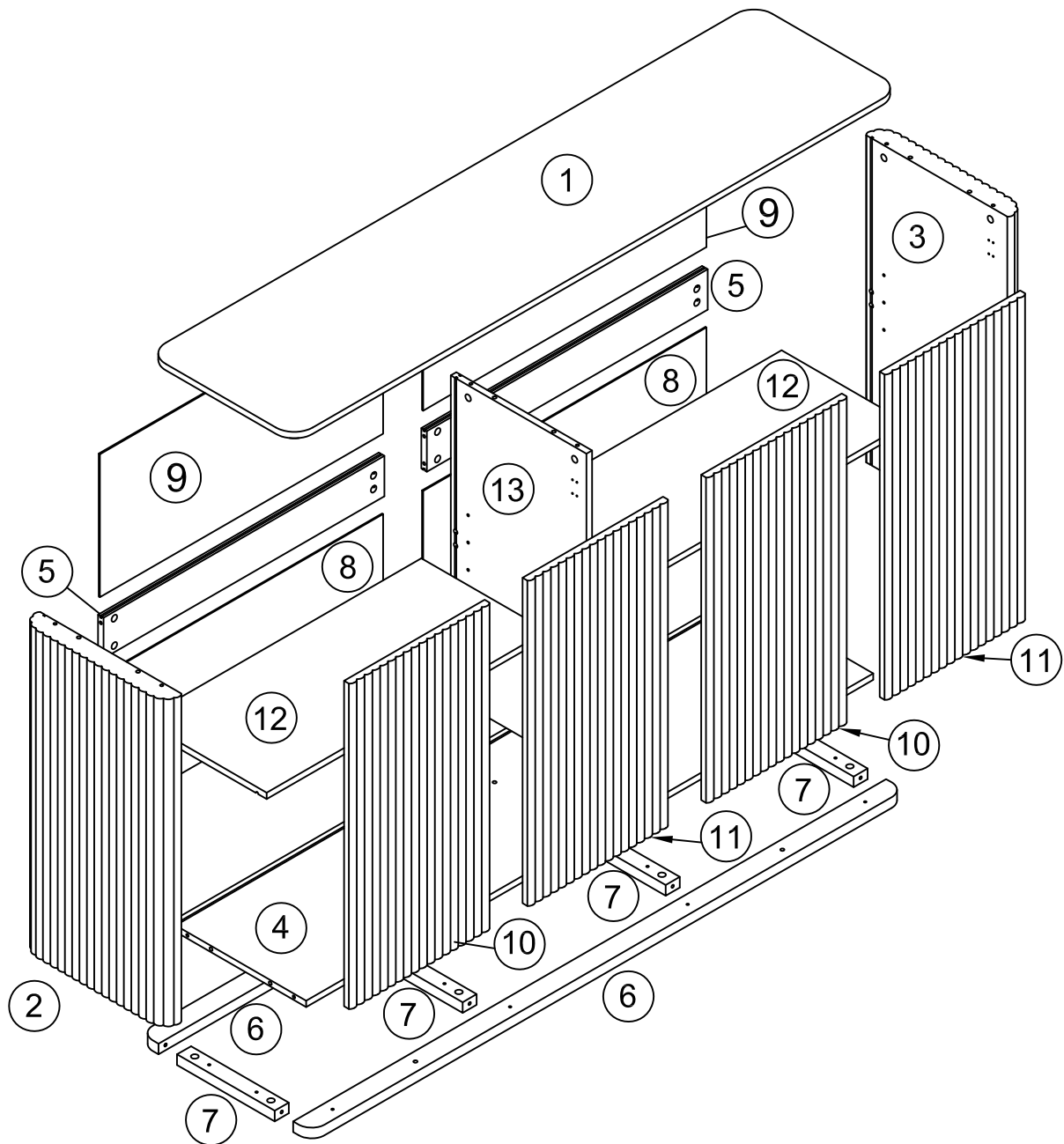
**Following these guidelines will ensure a smooth and successful assembly of your product.**

- **Work Surface** : To prevent any scratches or damage to the product, assemble it on a soft mat or a similar protective surface. This will provide a cushioned area for the components and protect the surfaces from unwanted marks.
- **Step - by - Step Assembly** : Follow the assembly instructions provided, proceeding one step at a time. Take care to understand each step properly before proceeding to the next one. This sequential approach ensures that the assembly is done correctly and minimizes the chance of errors.
- **Proper Screw Seating** : When attaching screws and nuts, it is essential not to fully tighten them until all screws are correctly seated. By partially tightening each screw and nut initially, you can ensure that they are aligned properly and fit securely before final tightening.
- **Avoid Over - Tightening** : While each screw and nut should be tightened correctly, it is crucial not to over - tighten them. Over - tightening can cause damage to the product or compromise its structural integrity. Use the appropriate amount of force to secure the components without excessive tightening.

# Parts List

PACKAGE 1 / 2: ①/②/③/④/⑤/⑥/⑦/⑧/⑨/⑫/⑬ Hardware + Manual

PACKAGE 2 / 2: ⑩/⑪

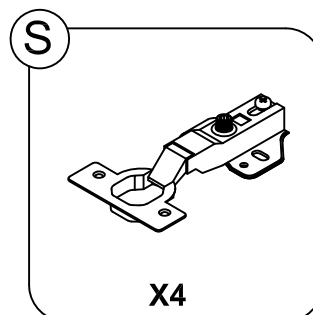
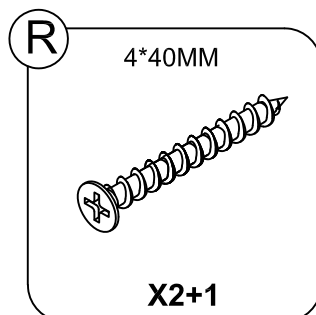
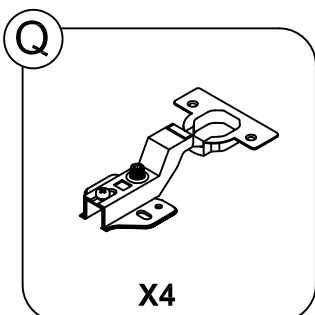
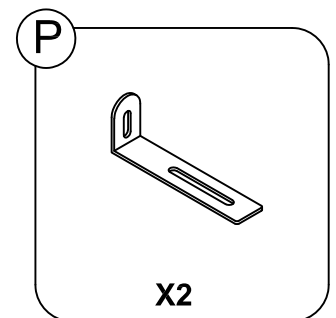
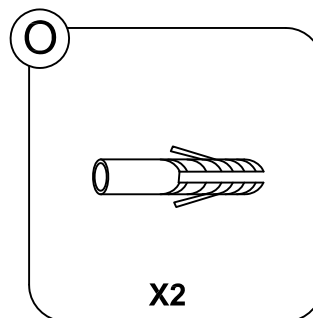
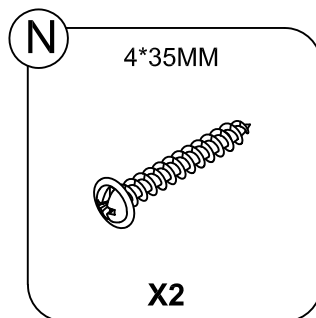
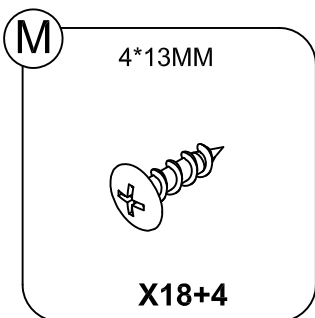
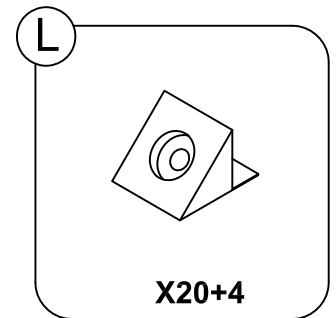
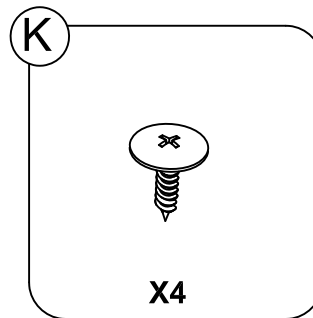
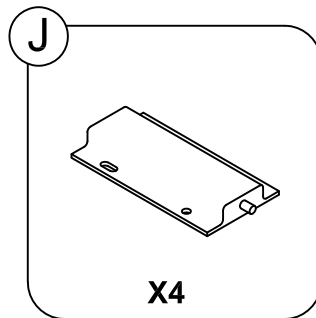
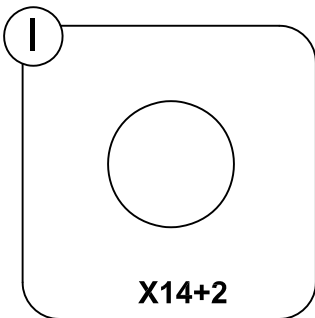
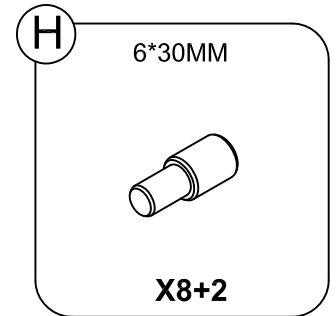
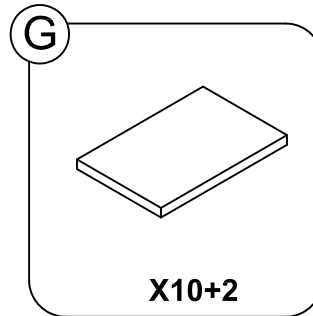
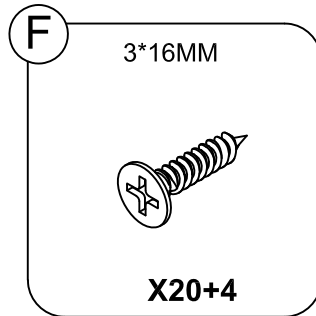
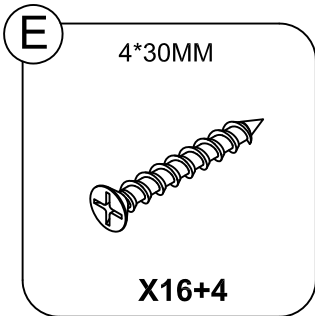
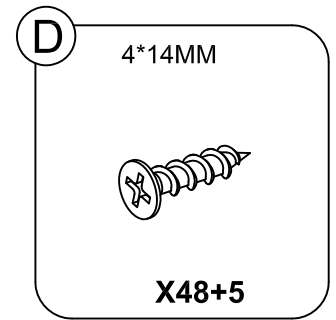
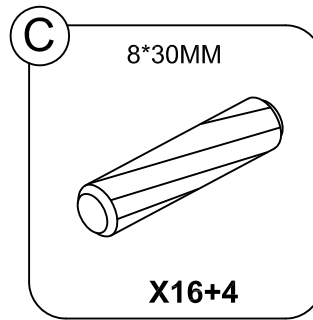
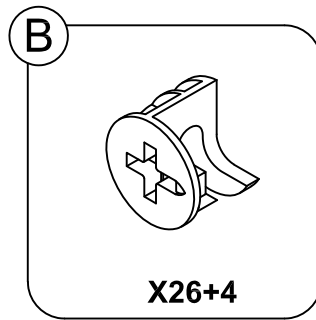
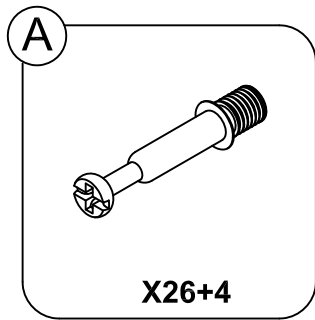


TOOLS  
REQUIRED



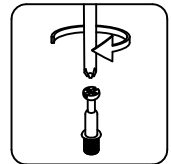
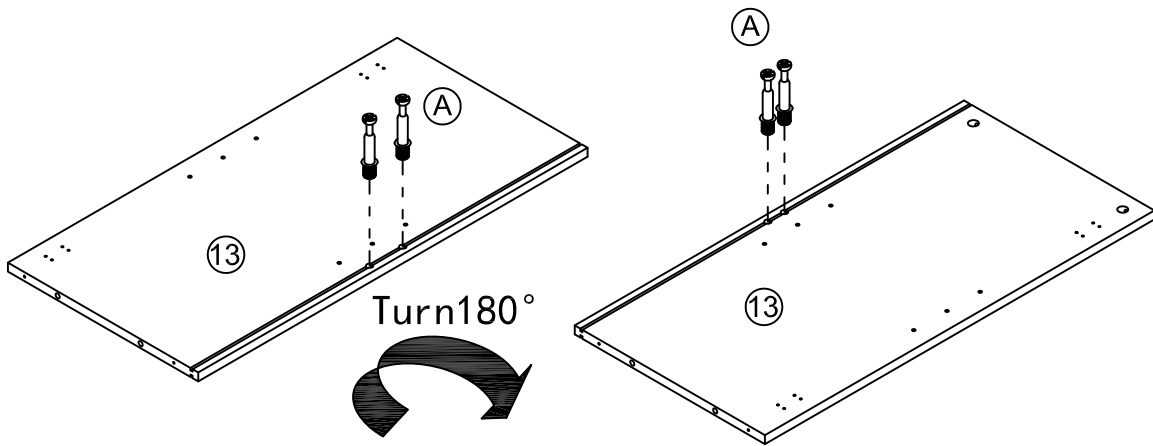
2 PERSON  
ASSEMBLY

# Hardware



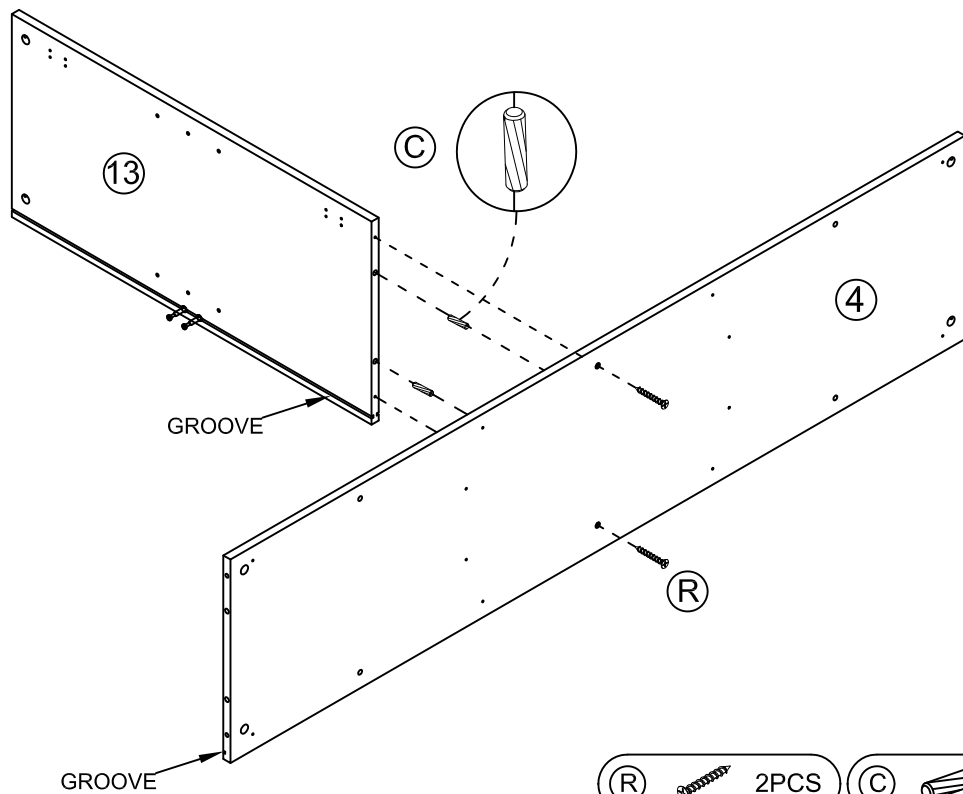
# INSTALLATION STEPS

## Step 1



(A) 4PCS

## Step 2

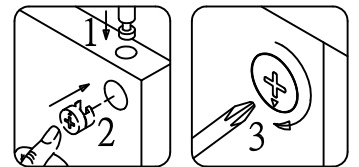
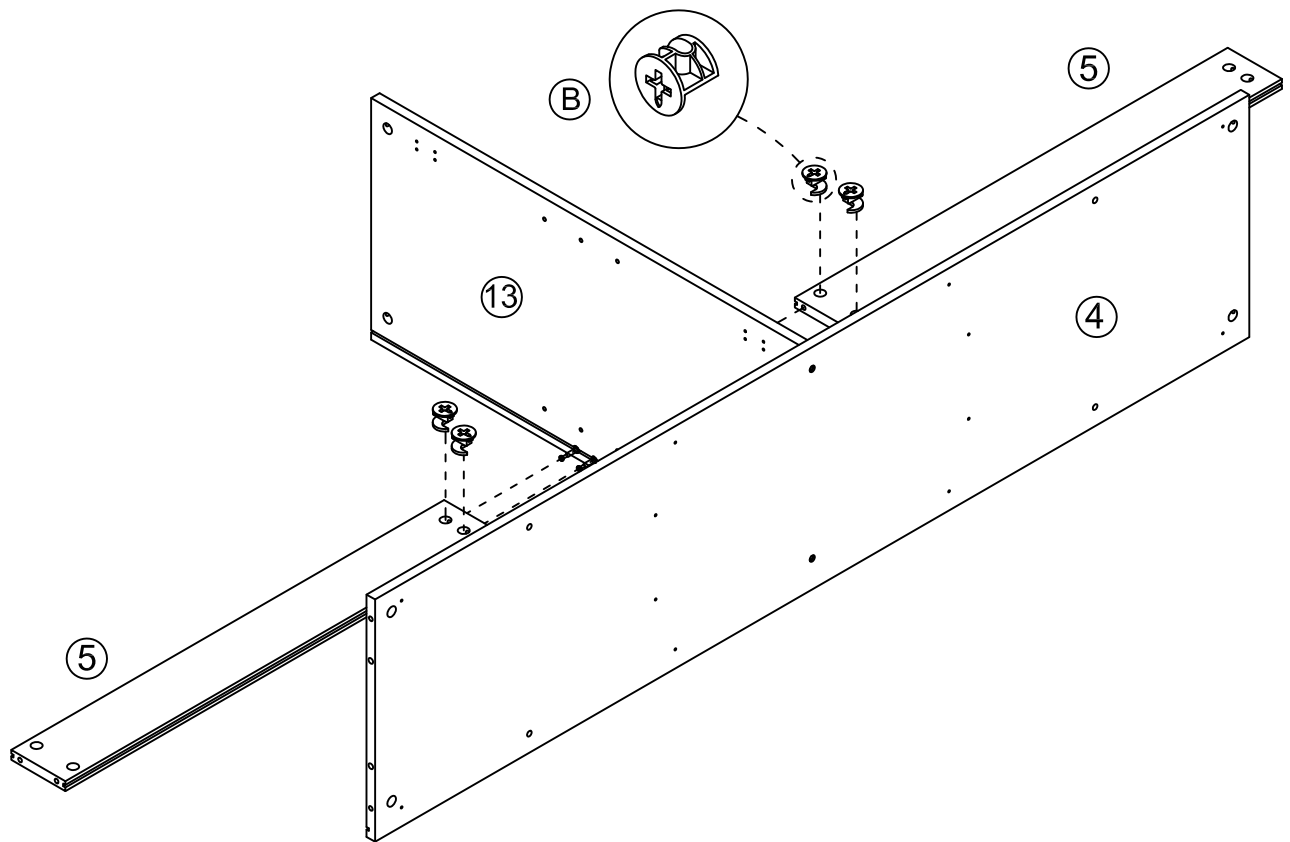


(R) 2PCS

(C) 2PCS

# INSTALLATION STEPS

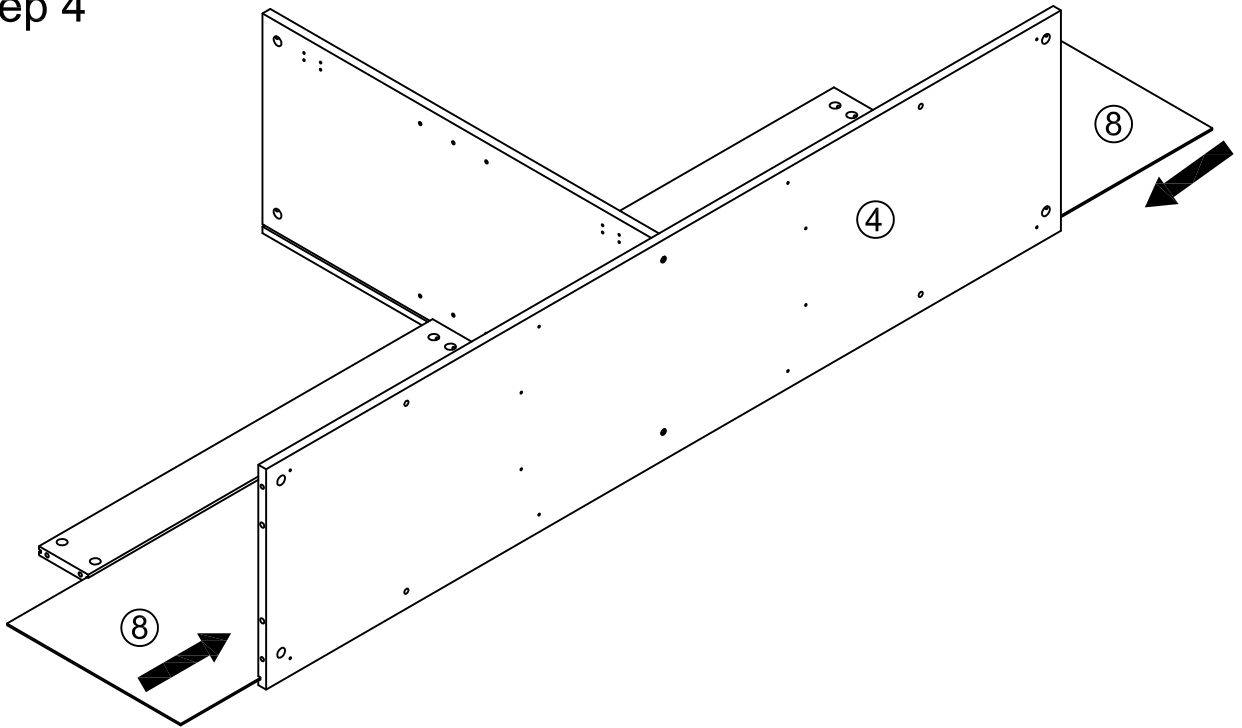
## Step 3



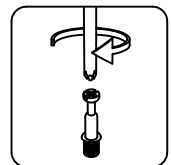
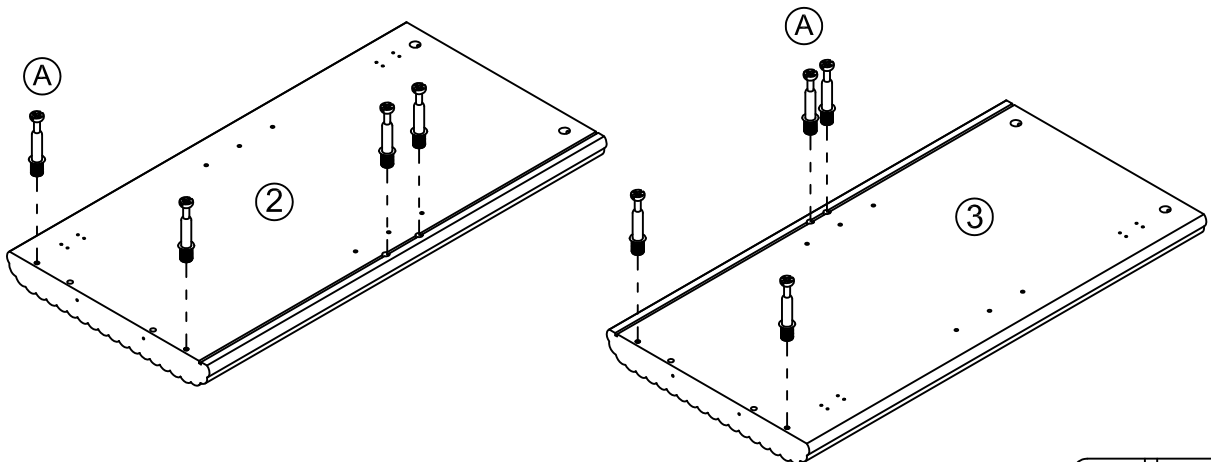
(B)  4PCS

# INSTALLATION STEPS

Step 4



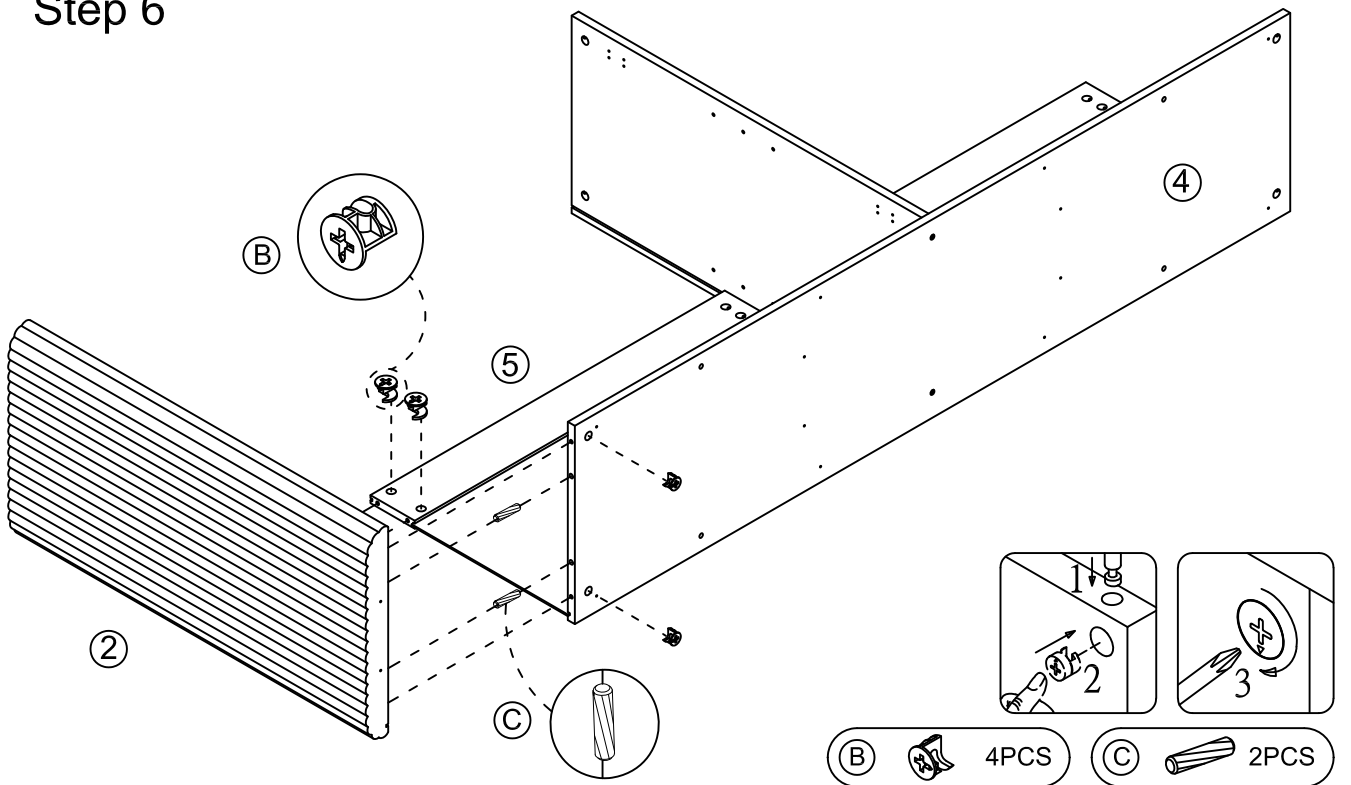
Step 5



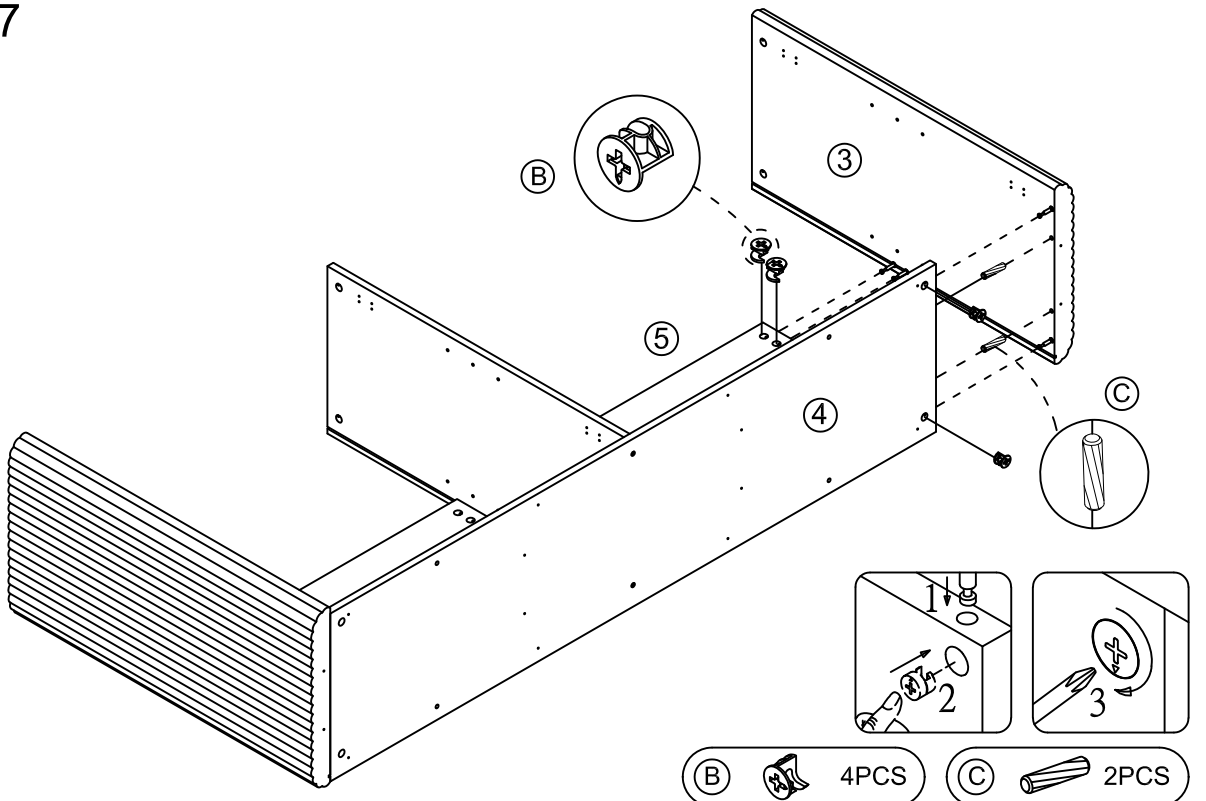
(A) 8PCS

# INSTALLATION STEPS

## Step 6

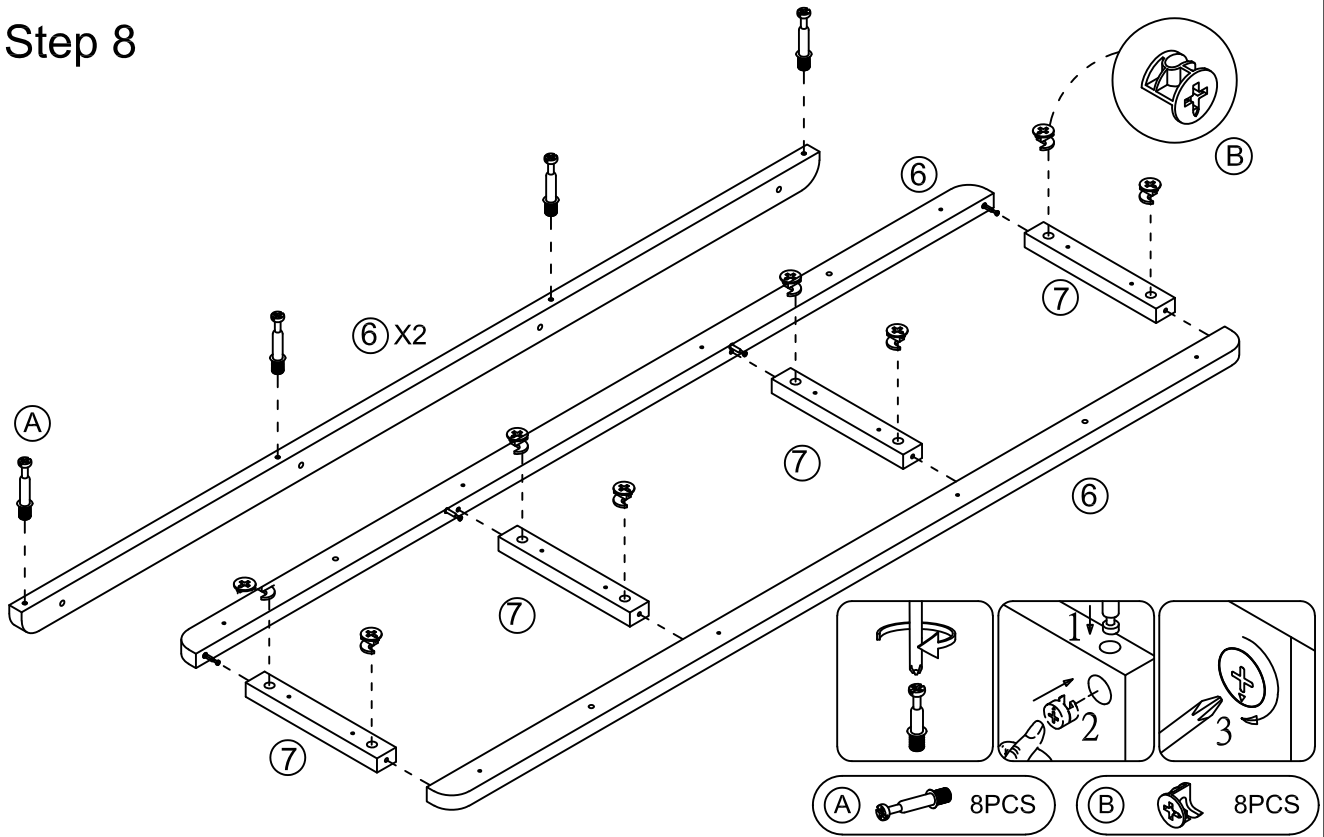


## Step 7

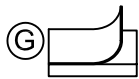


# INSTALLATION STEPS

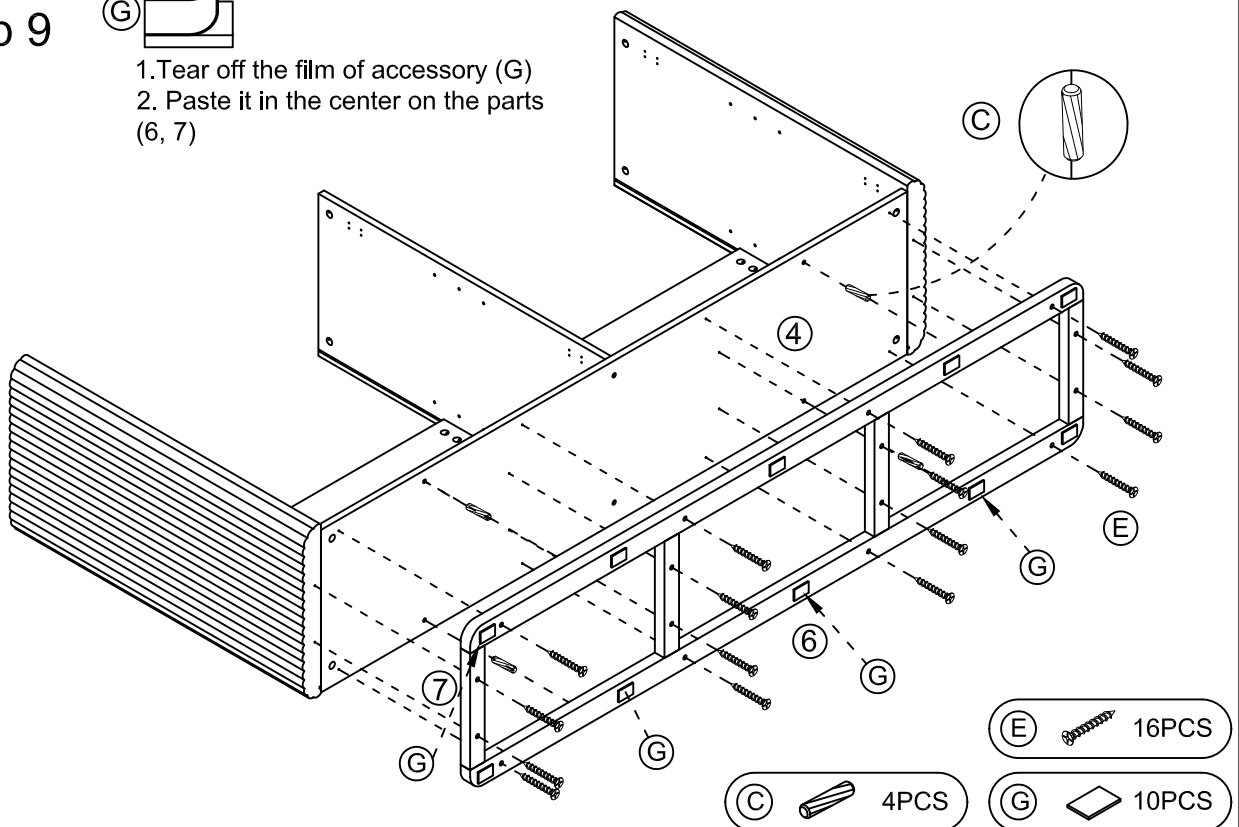
## Step 8



## Step 9

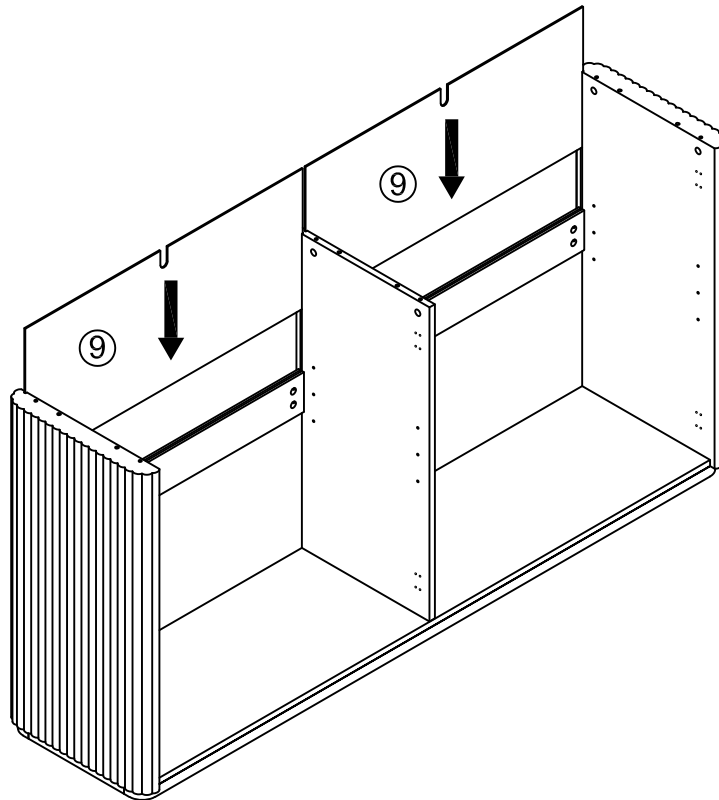


1. Tear off the film of accessory (G)
2. Paste it in the center on the parts (6, 7)

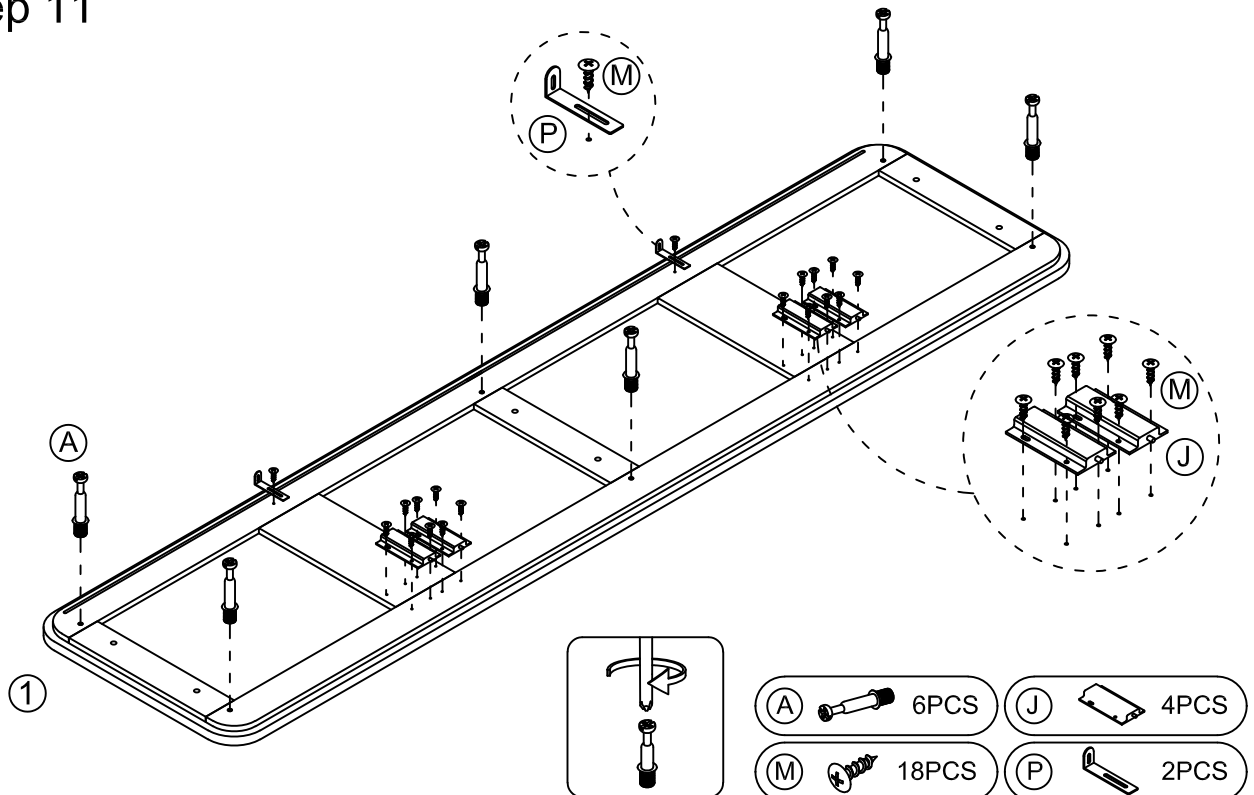


# INSTALLATION STEPS

Step 10

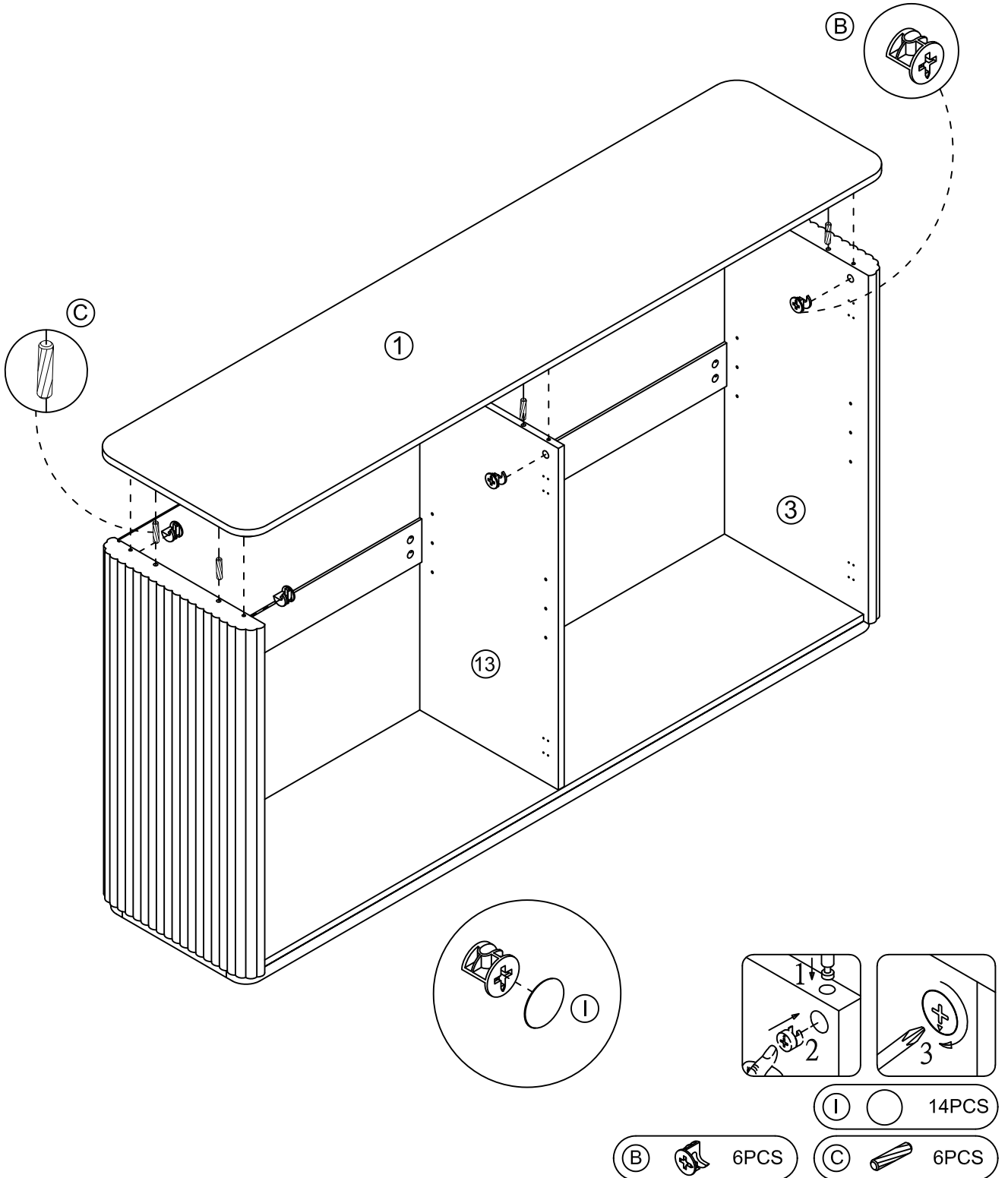


Step 11



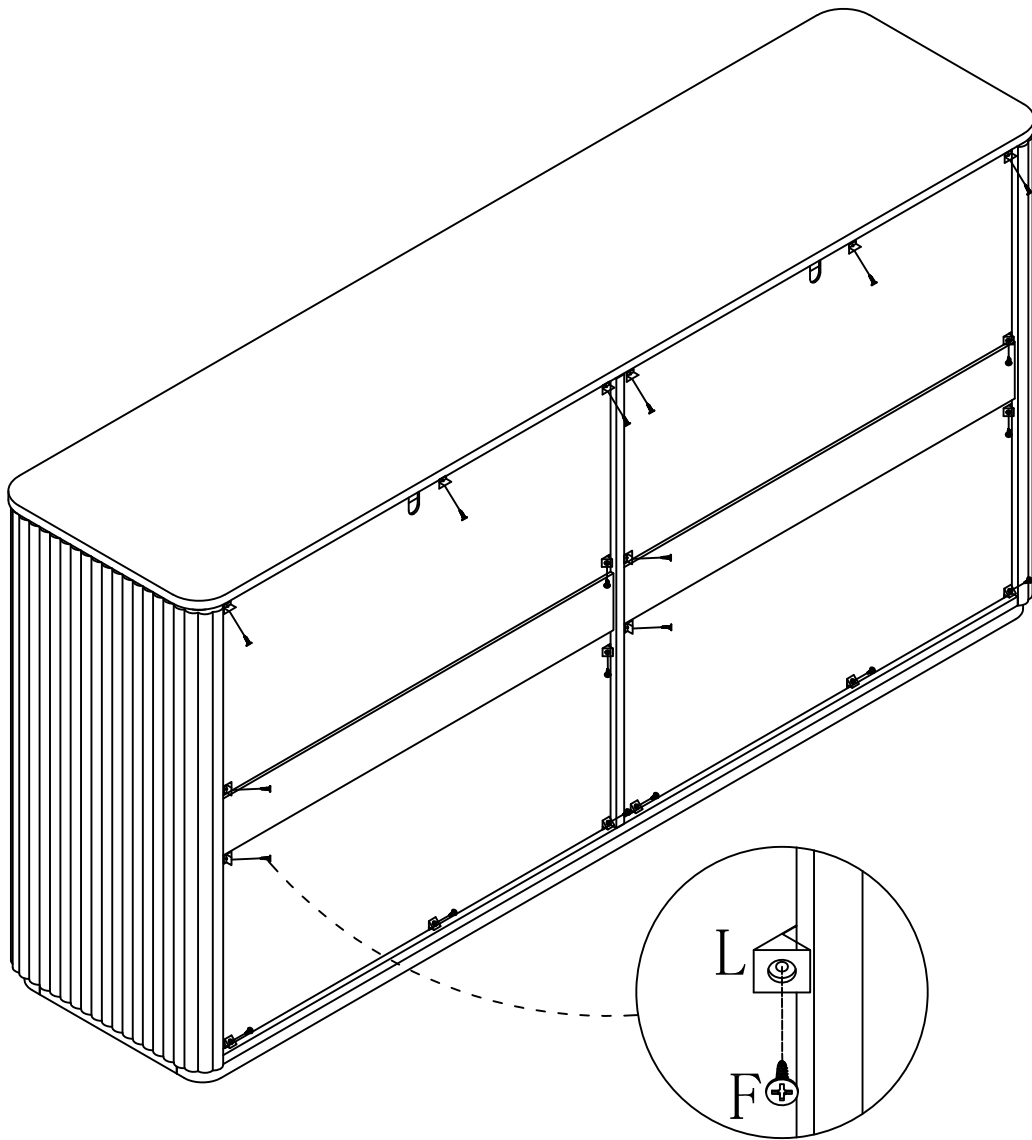
# INSTALLATION STEPS

## Step 12



# INSTALLATION STEPS

## Step 13

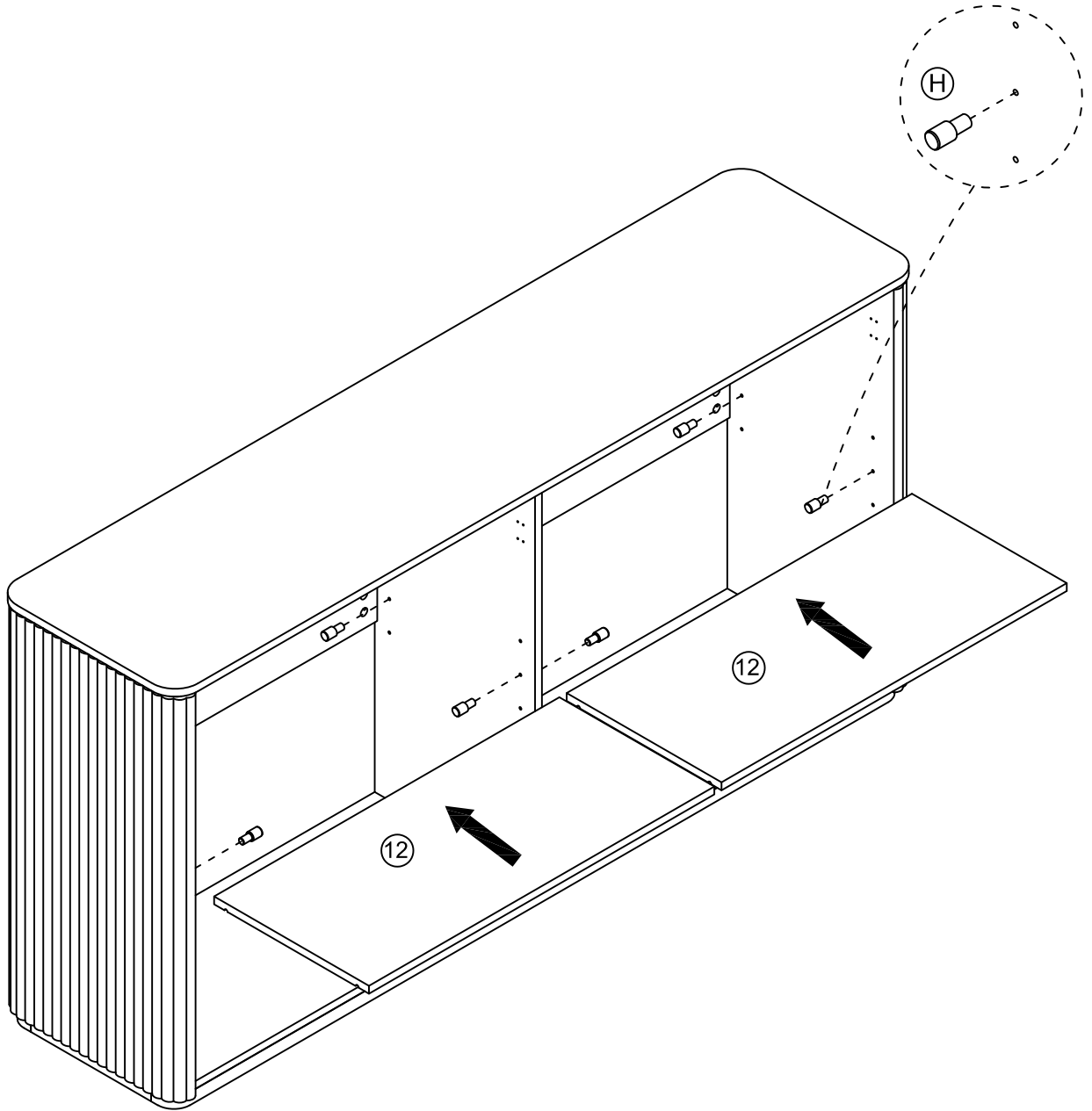



(F)  20PCS

(L)  20PCS

# INSTALLATION STEPS

Step 14



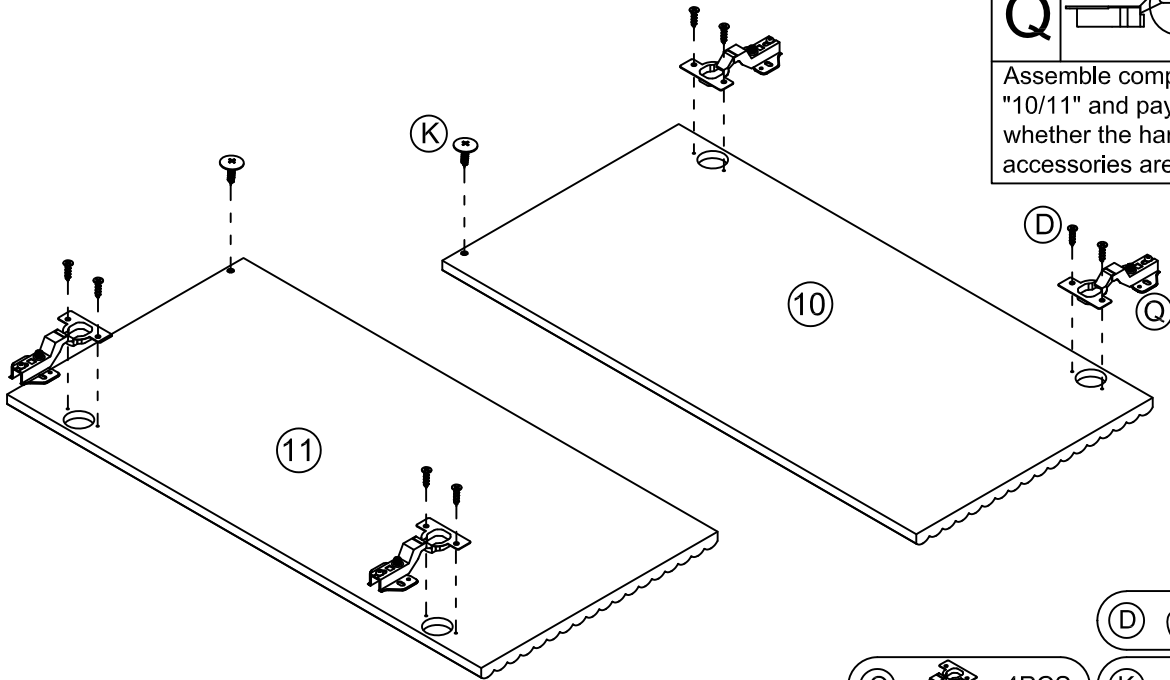
(H)  8PCS

# INSTALLATION STEPS

## Step 15

Distinguish by this position.

<b>Q</b>	
Assemble component "10/11" and pay attention to whether the hardware accessories are "Q"	

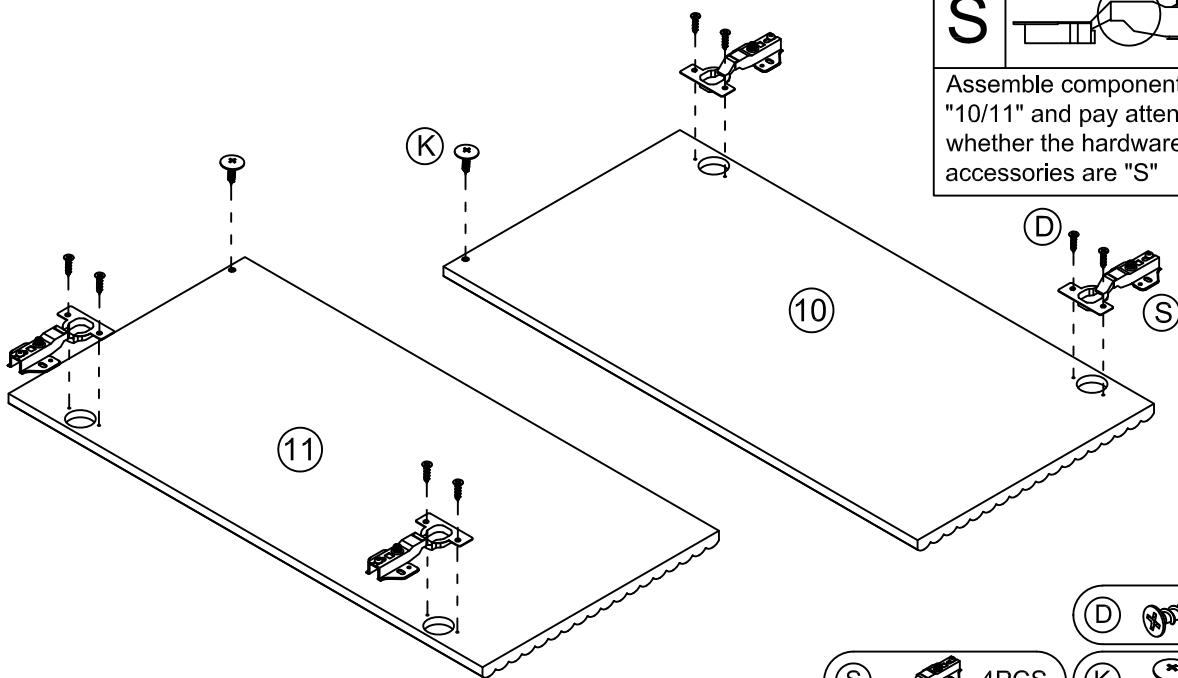


- (D)** 8PCS
- (Q)** 4PCS
- (K)** 2PCS

## Step 16

Distinguish by this position.

<b>S</b>	
Assemble component "10/11" and pay attention to whether the hardware accessories are "S"	

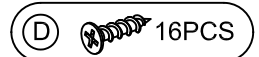
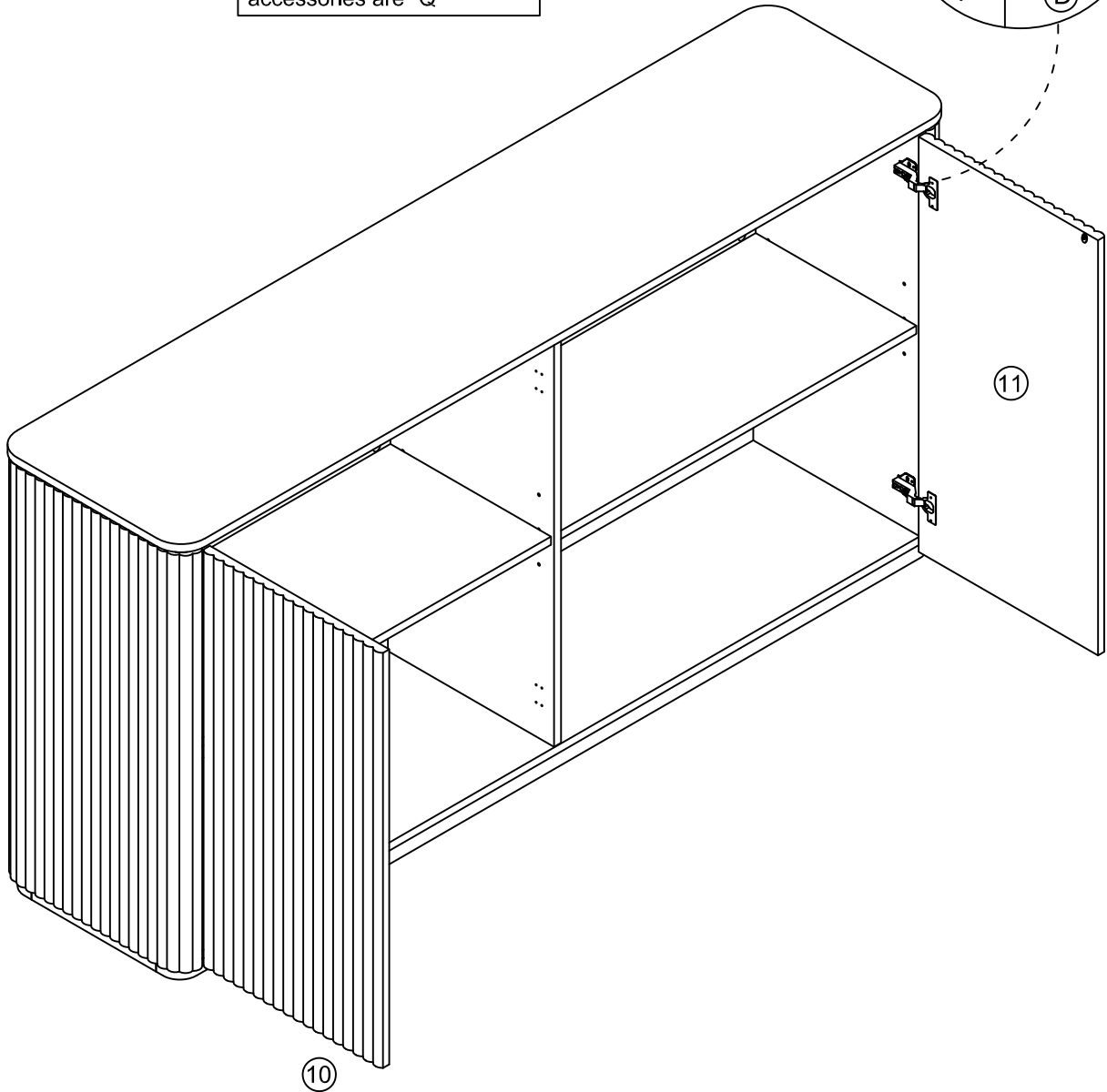
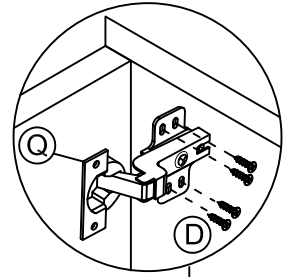
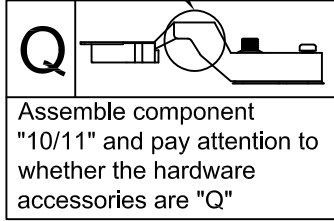


- (D)** 8PCS
- (S)** 4PCS
- (K)** 2PCS

# INSTALLATION STEPS

## Step 17

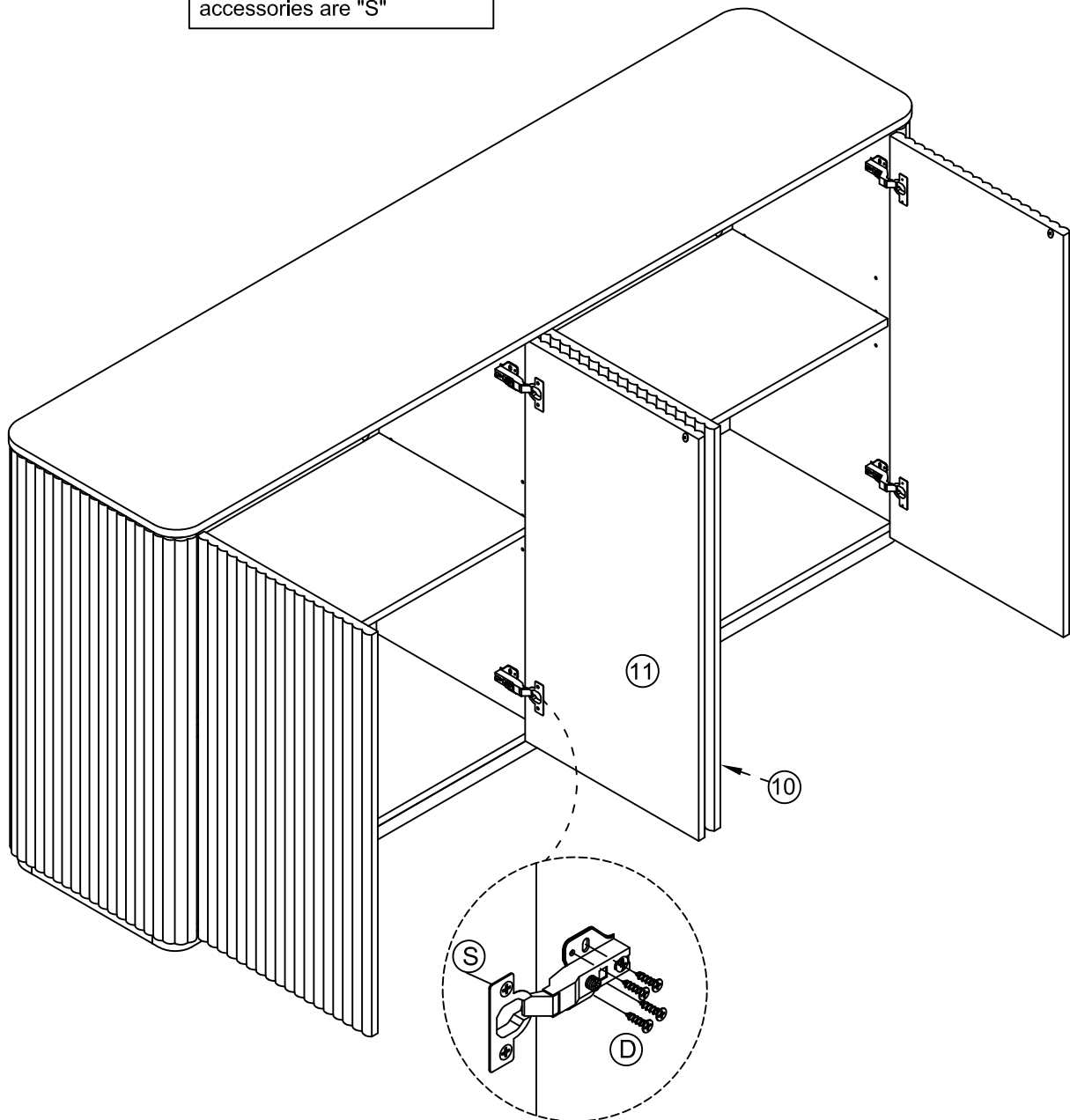
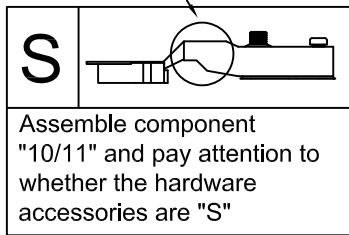
Distinguish by this position.




# INSTALLATION STEPS

## Step 18

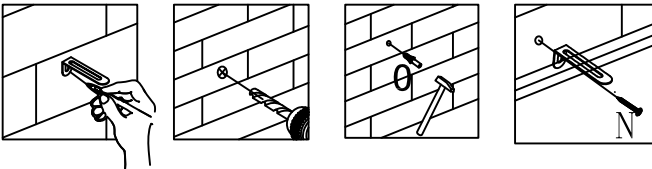
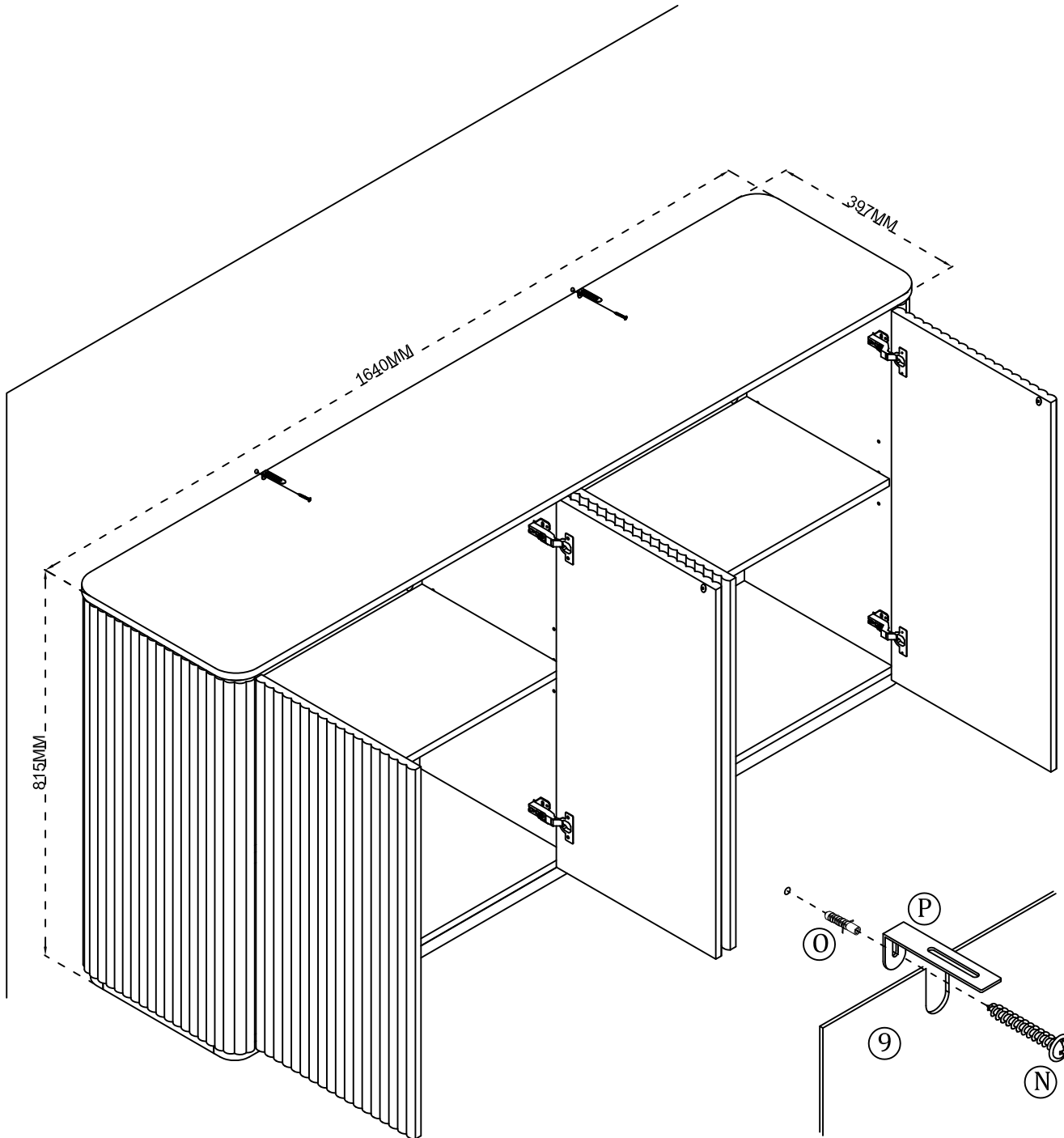
Distinguish by this position.



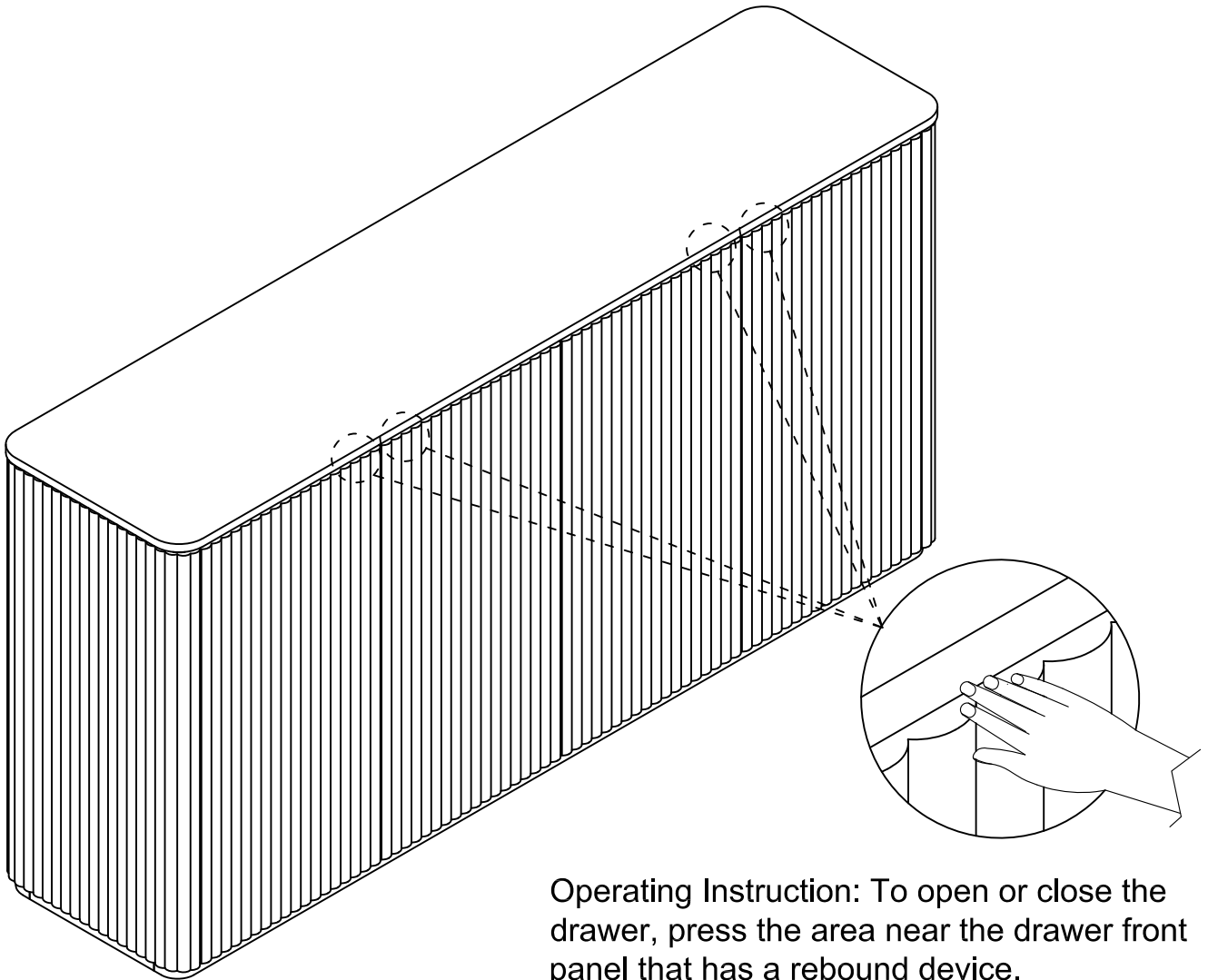
(D)  16PCS

# INSTALLATION STEPS

## Step 19

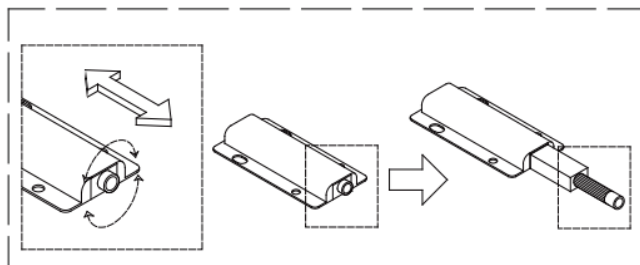


## INSTALLATION STEPS



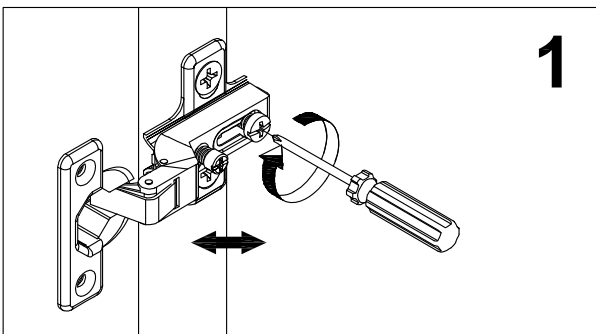
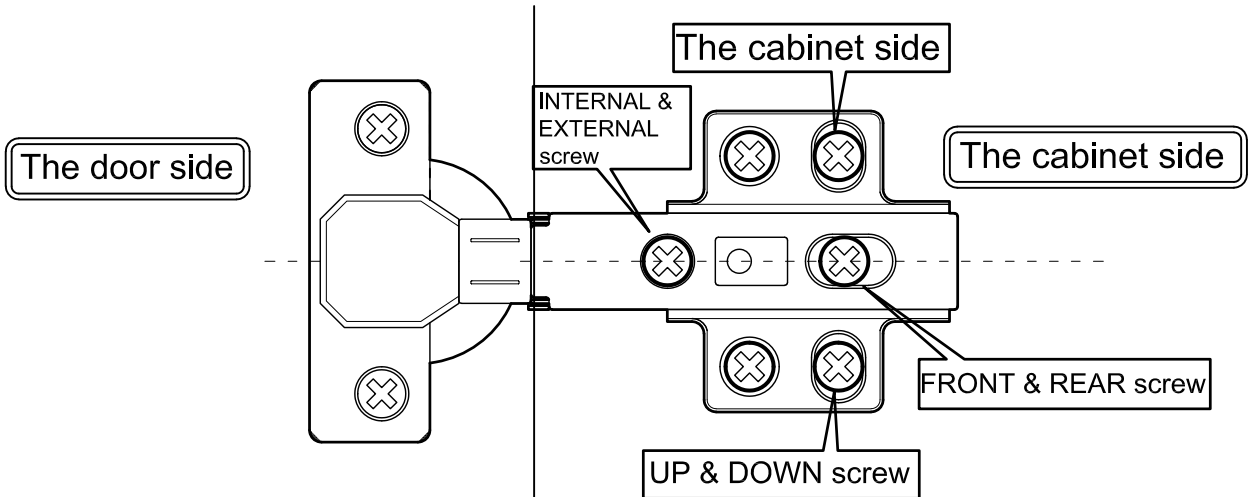
Operating Instruction: To open or close the drawer, press the area near the drawer front panel that has a rebound device.

Note: You can adjust the knob of the bouncer to control the bouncing effect.



# INSTALLATION STEPS

## Components Name



Doors may need to be adjusted after the initial shipping of the cabinet . The cabinet doors have a three-way adjustment fea-ture. Height, side to side, level and depth can be adjusted. With the hinge slightly closed you can access the middle screw for up / down adjustment. With the hinge fully extended you can access the front and back screws. These screws will move the door side to side and in and out.

